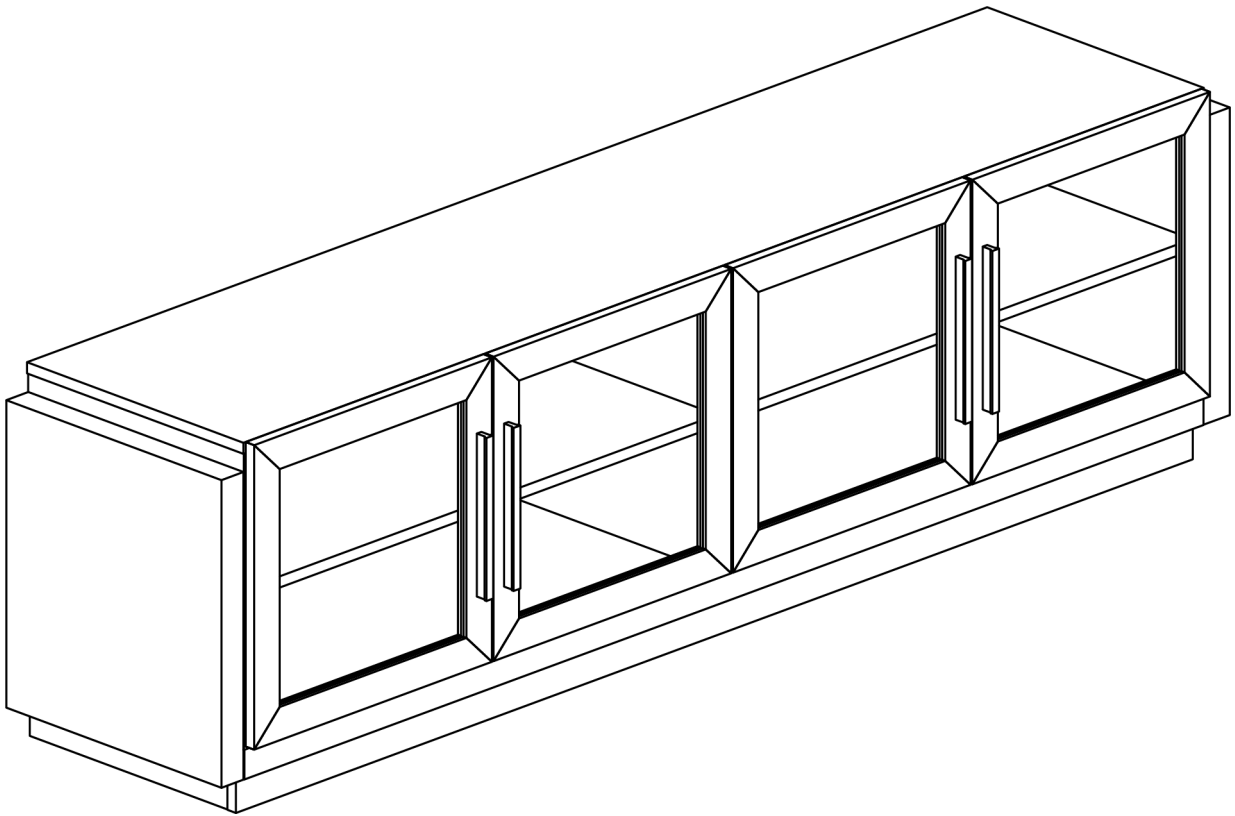


Brixston TV Stand



BELLEZE[®]

FOLLOW US:

CONTACT INFO:

ITEM NO. 014-HG-41020



@bellezefurniture

support@belleze.com
1-800-682-6376

The instruction booklet contains **IMPORTANT** safety information. Please read it in full and keep it for future reference.

www.belleze.com

Scan this QR Code
to view our online tutorial

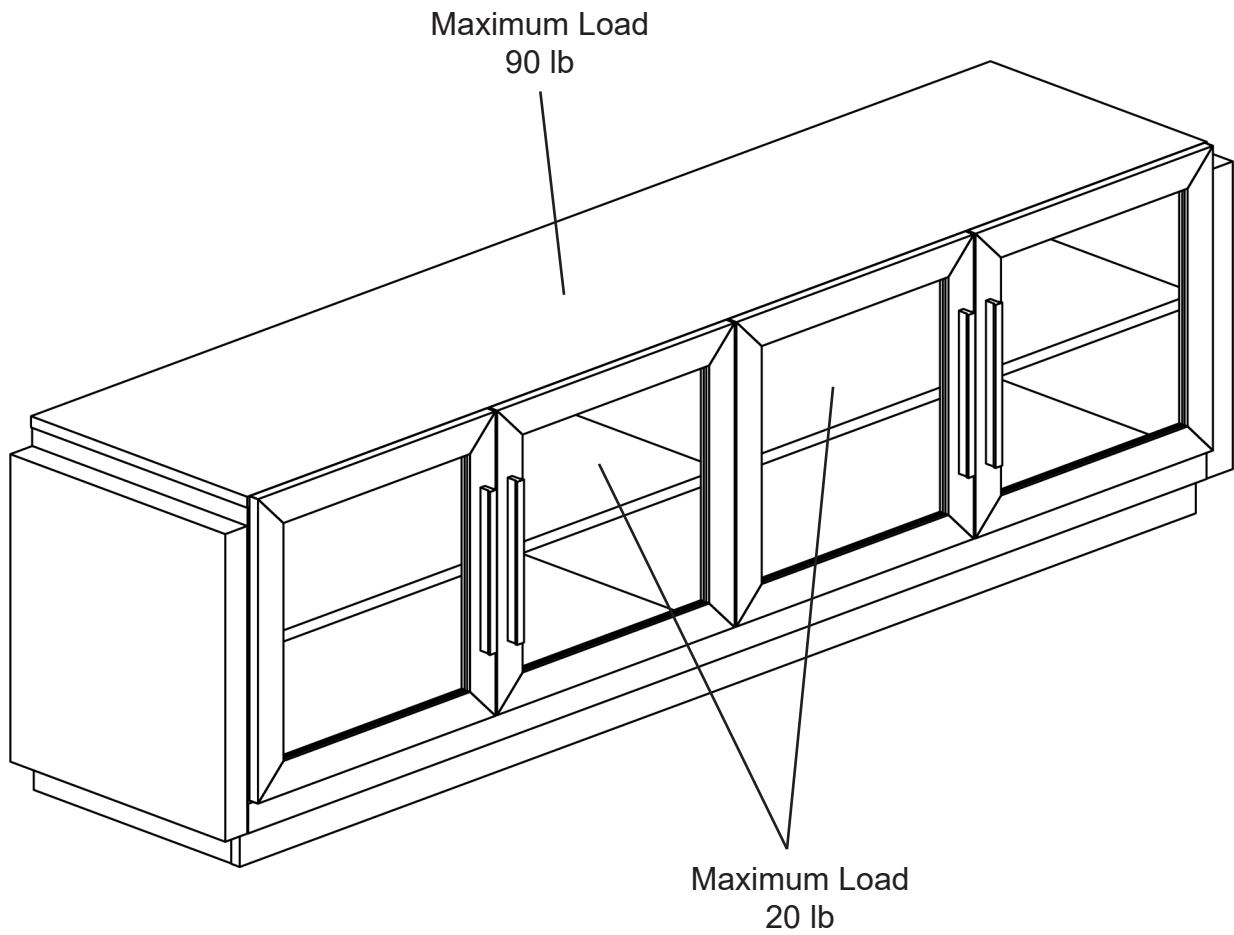


Estimated time for assembly:

90 mins



Weight limitations are as follows:





Assemble the furniture on an empty carton, carpet, or rug to prevent scratches or damage.

For safety, please keep pets and children away from the assembly area.

Ensure the product is fully assembled before use. If you are missing any hardware or products, do not use it until you have restored the missing parts.



This furniture requires 2 people for assembly.

Read this instruction manual prior to assembly to familiarize yourself with the various steps.

Lay out all components and hardware separately on a flat surface and make sure that no parts are missing or damaged before assembly. Do not destroy or discard any packaging until you are certain that you have all the necessary parts for assembly.

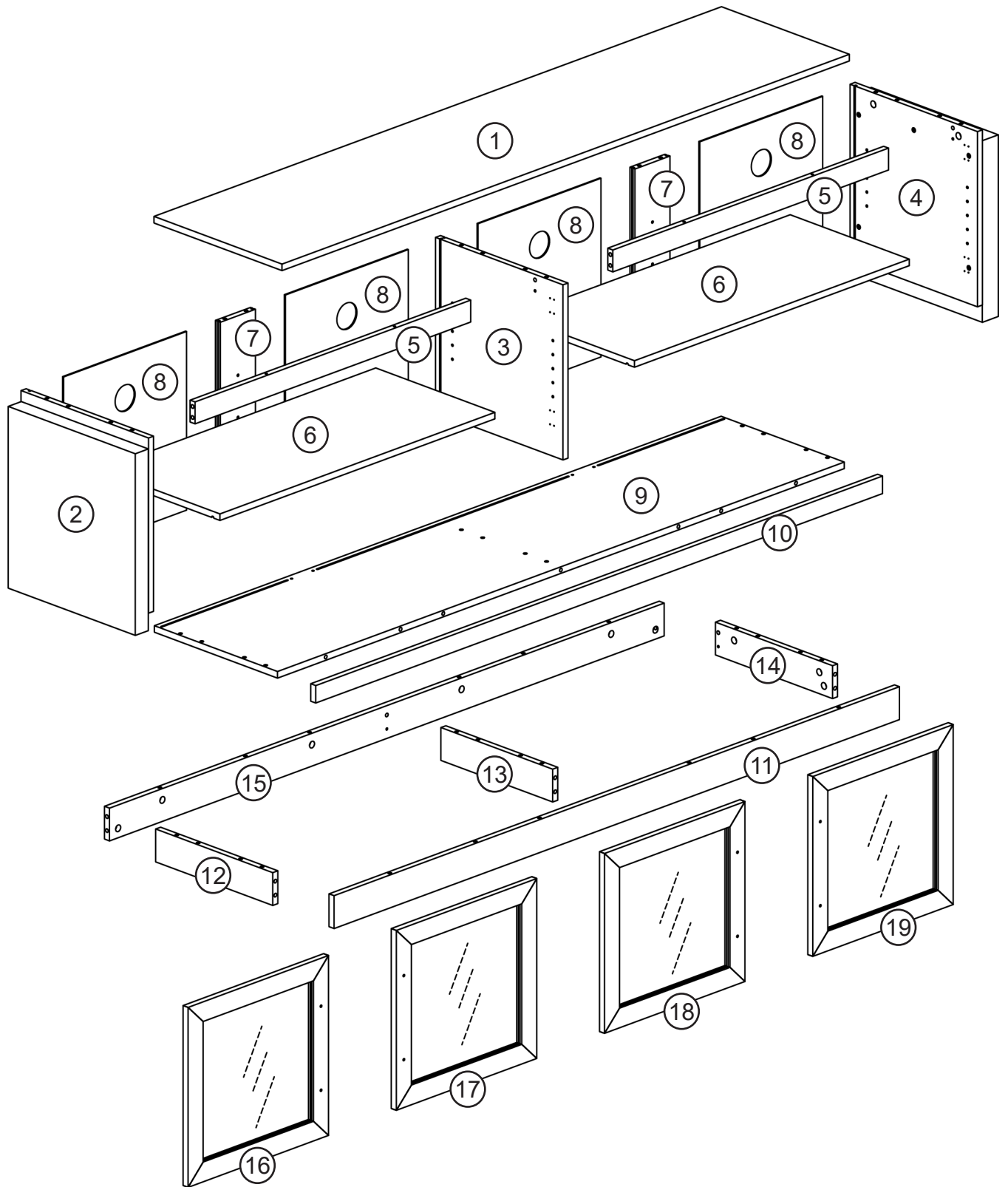
Hand tight all hardware and careful not to over tighten to avoid damaging the product.

CAUTION

There are small components used in the construction of this product. Loose items should be kept away from pets and children to avoid a choking hazard.

Keep all plastic bags and packaging film away from pets and children to avoid suffocation.

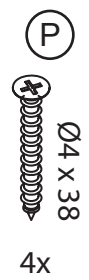
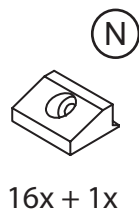
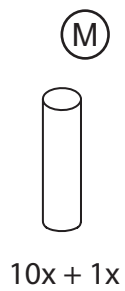
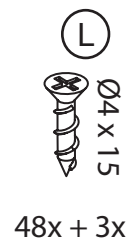
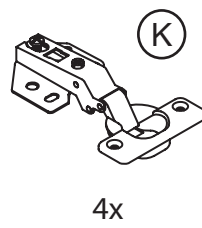
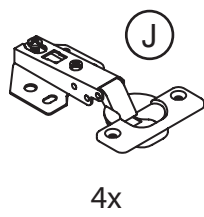
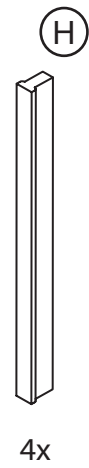
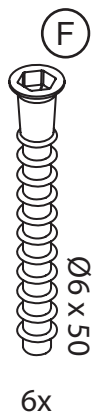
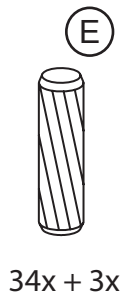
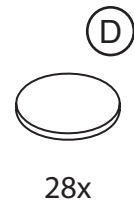
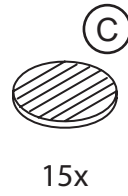
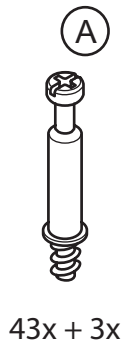
PACKAGE CONTENTS



PACKAGE CONTENTS

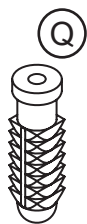
CODE	DESCRIPTION	QTY
1	Top Panel	1
2	Left Side Panel	1
3	Center Panel	1
4	Right Side Panel	1
5	Upper Crossbar	2
6	Storage Shelf Panel	2
7	Back Support Panel	2
8	Back Panel	4
9	Bottom Panel	1
10	Lower Crossbar	1
11	Front Leg	1
12	Left Leg	1
13	Center Support Leg	1
14	Right Leg	1
15	Back Leg	1
16	Left Shelf Left Cabinet Door	1
17	Left Shelf Right Cabinet Door	1
18	Right Shelf Left Cabinet Door	1
19	Right Shelf Right Cabinet Door	1

PACKAGE CONTENTS



Install all hardware perpendicular to the opening.

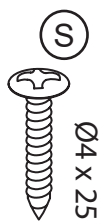
PACKAGE CONTENTS



2x



2x



2x

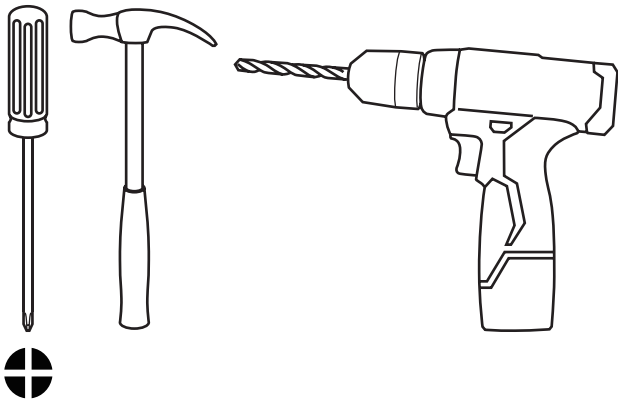


2x



Install all hardware perpendicular to the opening.

Required tools for assembly (Not included)

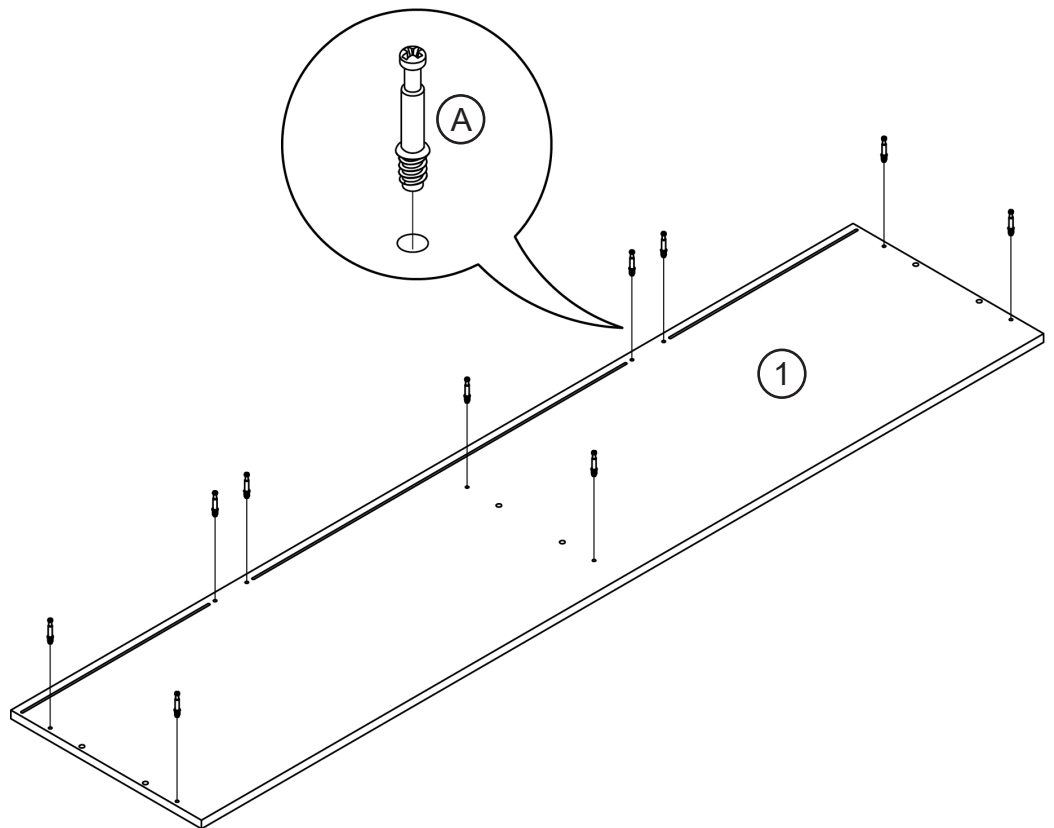


1

Attach cam bolts underneath the top panel.

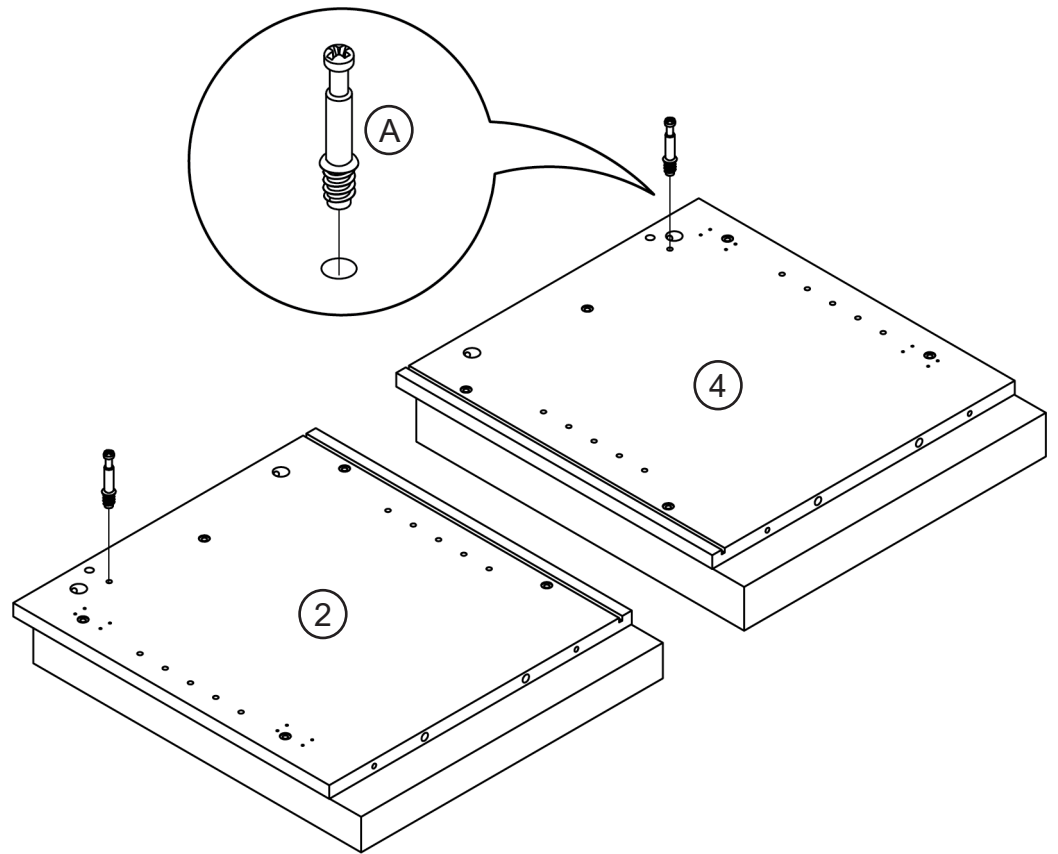
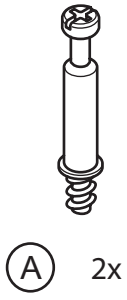


(A) 10x



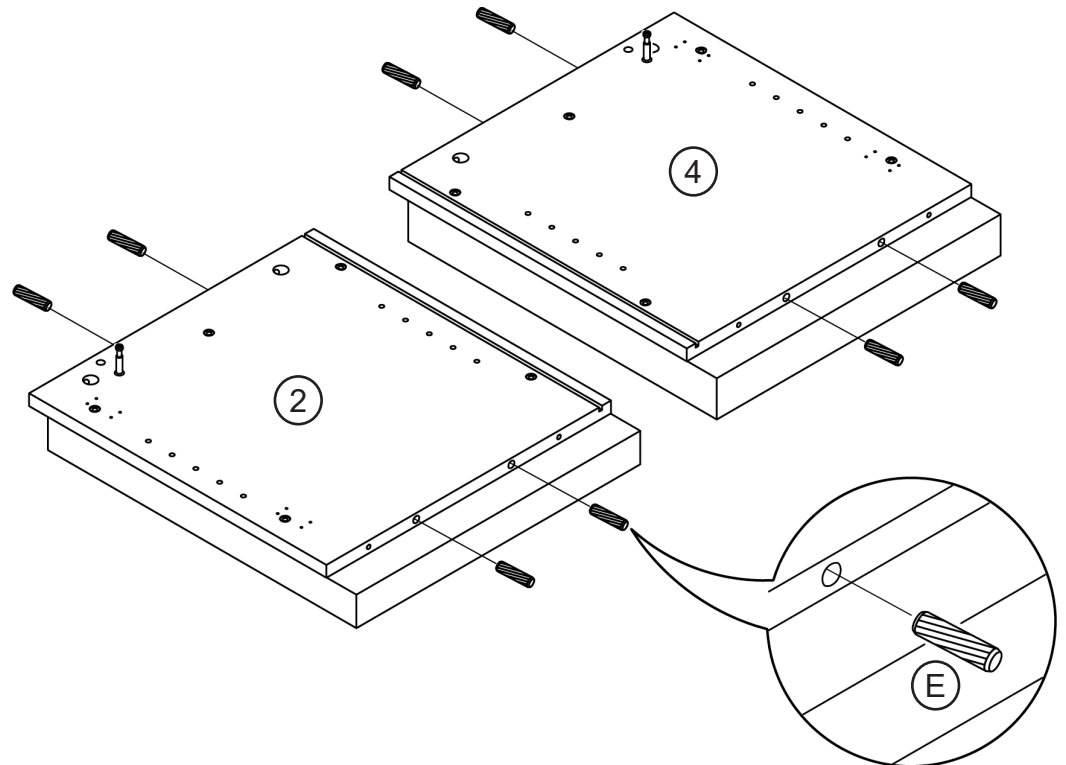
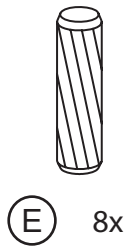
2

Attach cam bolts to the side panels.



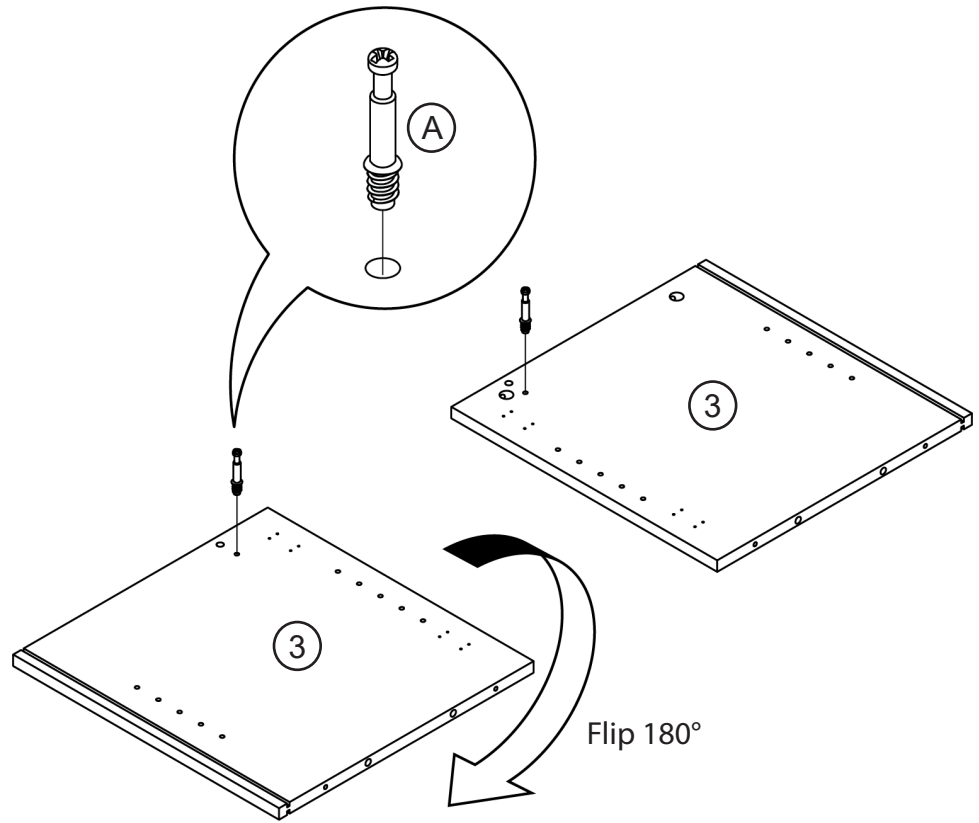
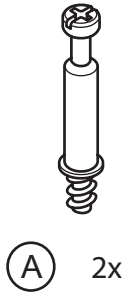
3

Insert wood dowels to the side panels.



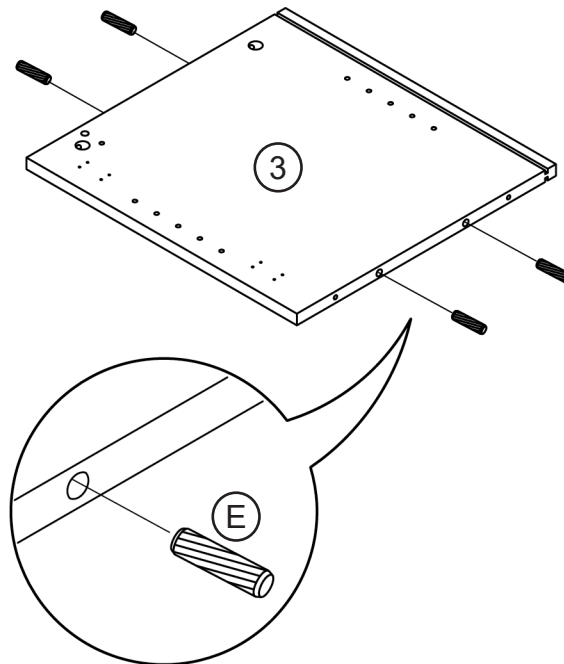
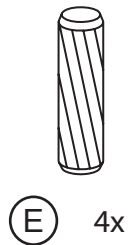
4

Attach cam bolts to both sides of the center panel.



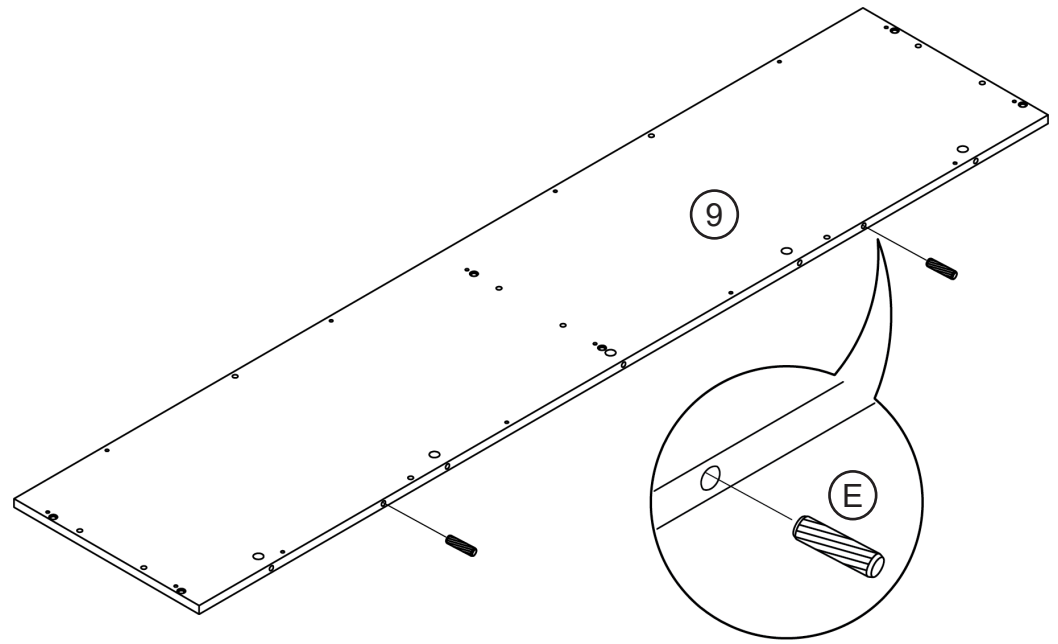
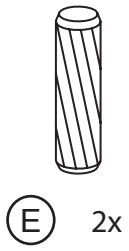
5

Insert wood dowels to the center panel.



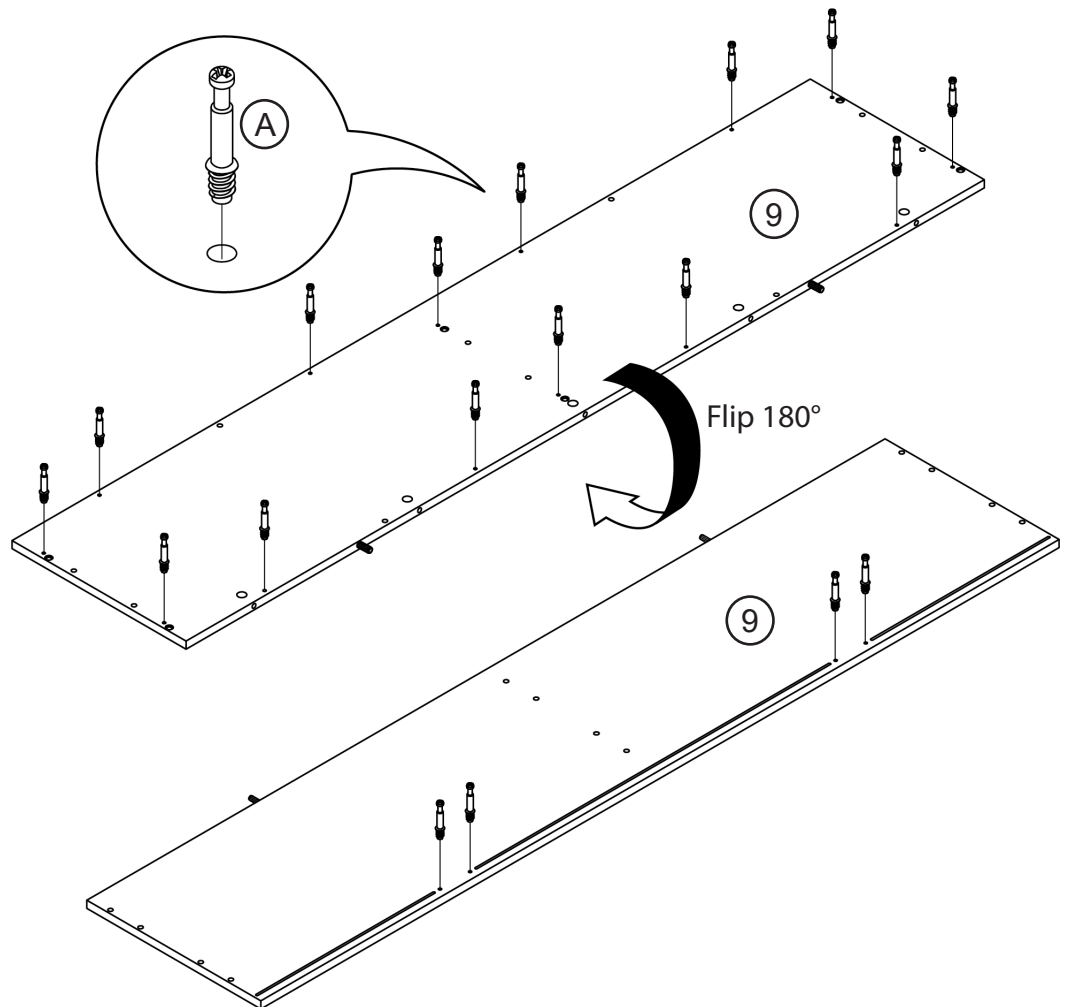
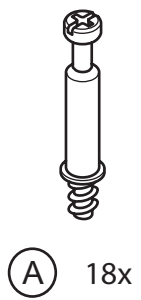
6

Insert wood dowels to the bottom panel.



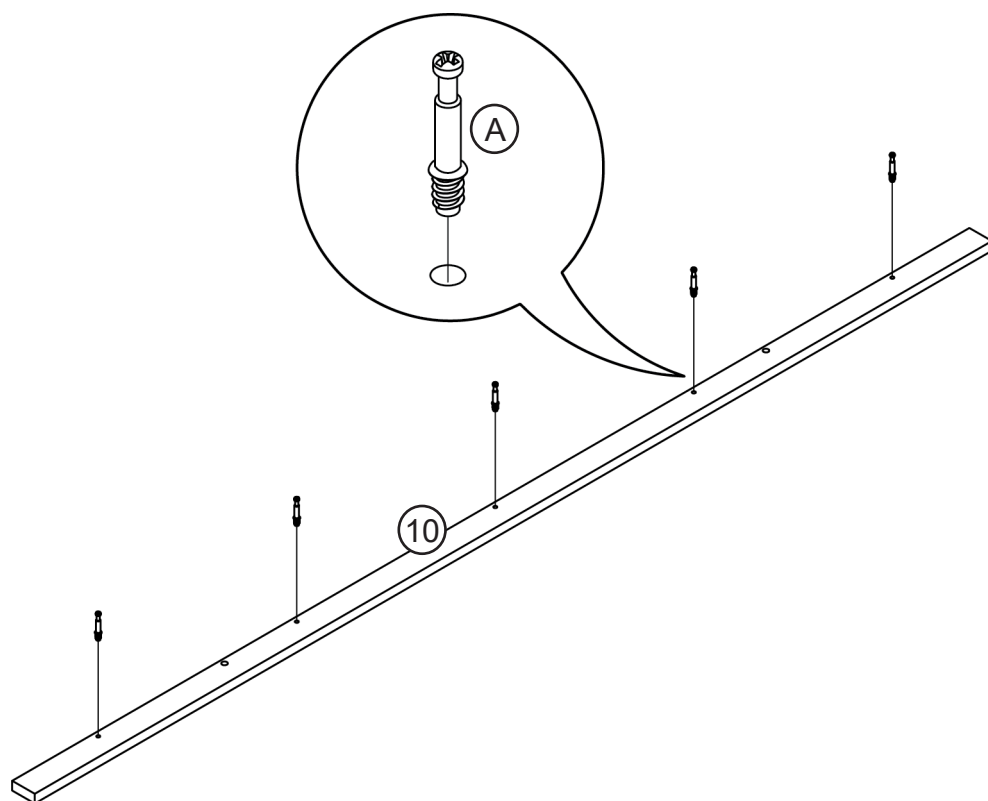
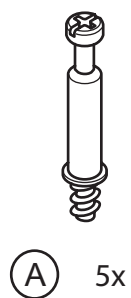
7

Attach cam bolts to both sides of the bottom panel.



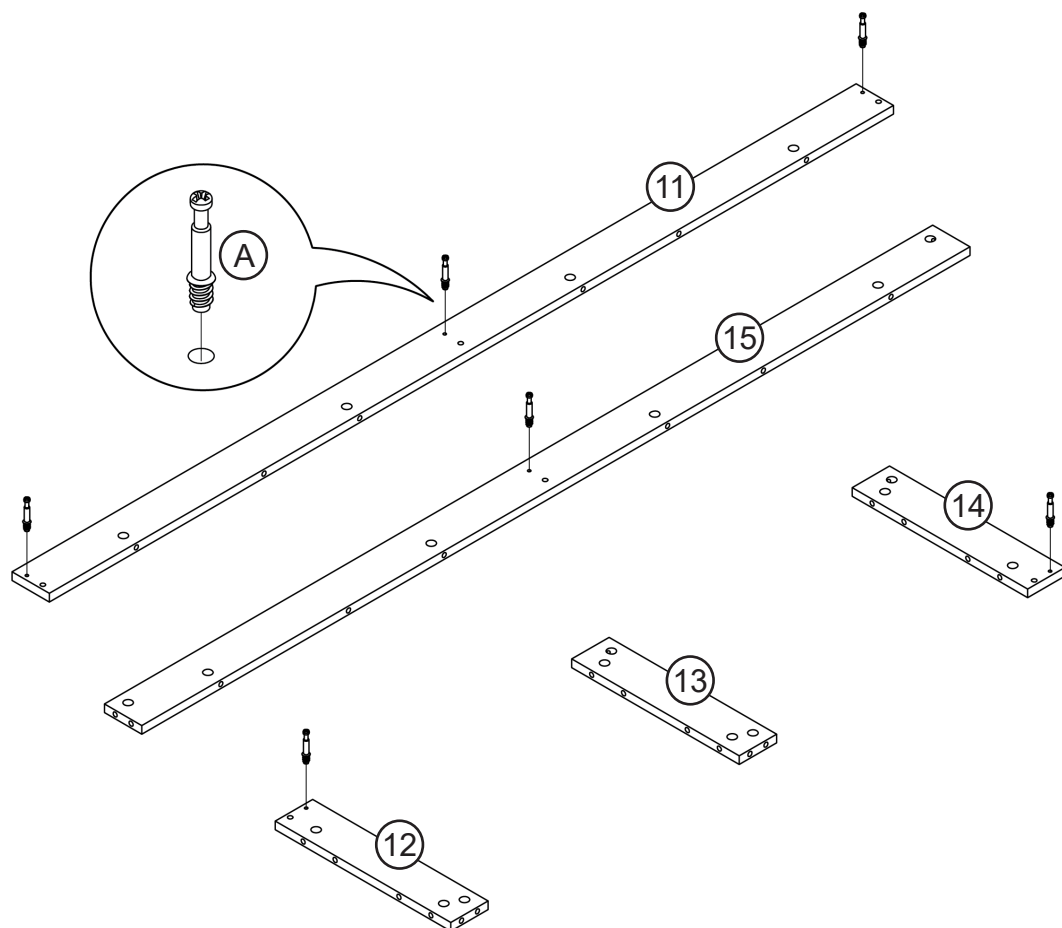
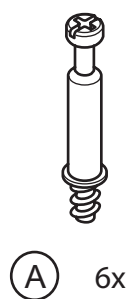
8

Attach cam bolts to the lower crossbar.



9

Attach cam bolts to the legs.

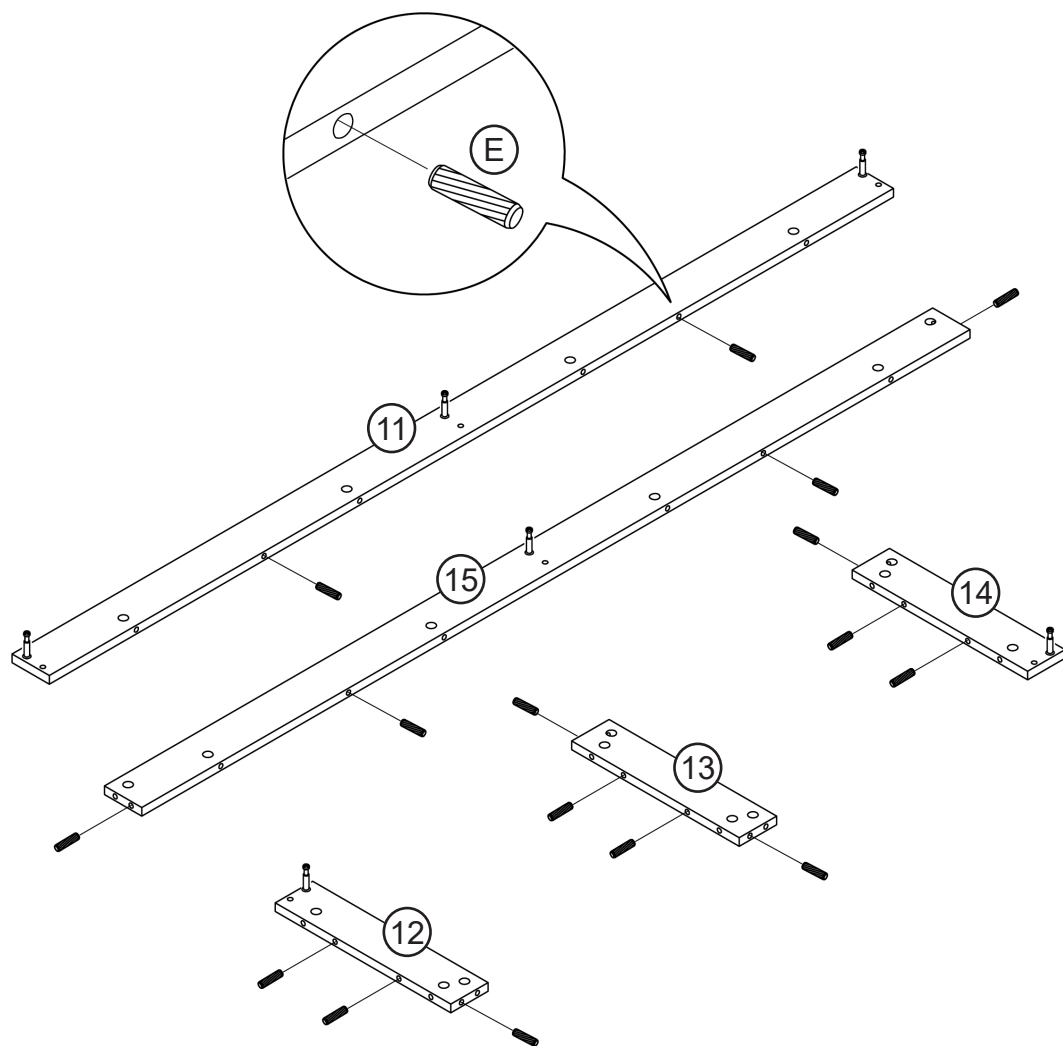


10

Insert wood dowels to the legs.

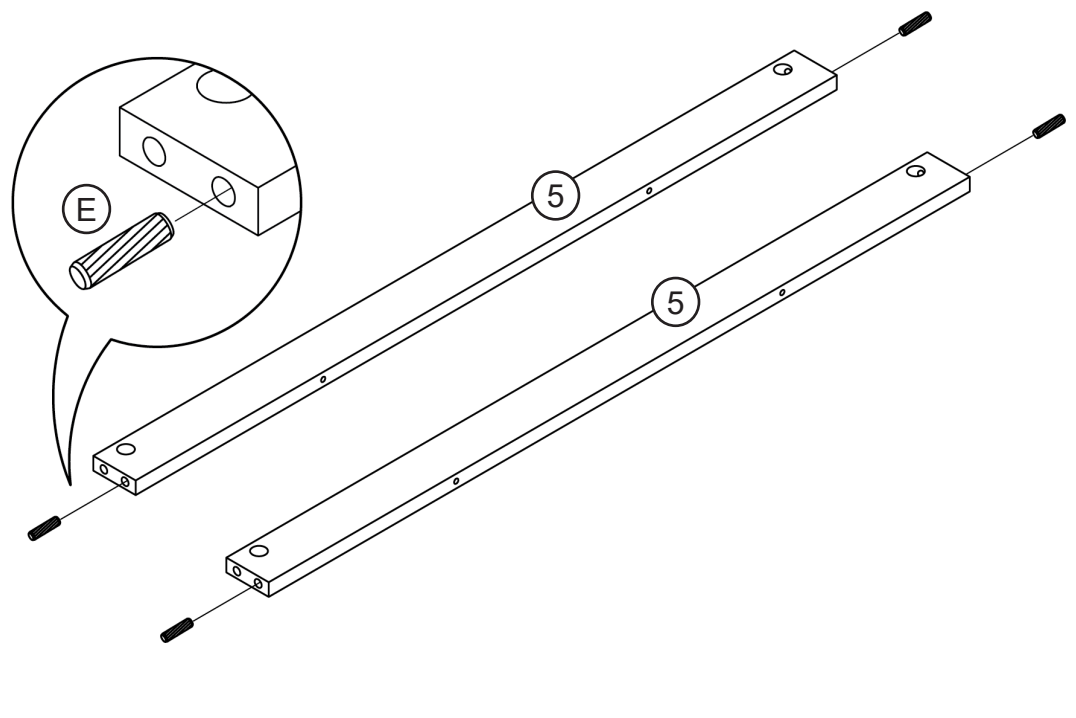
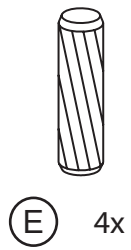


(E) 16x



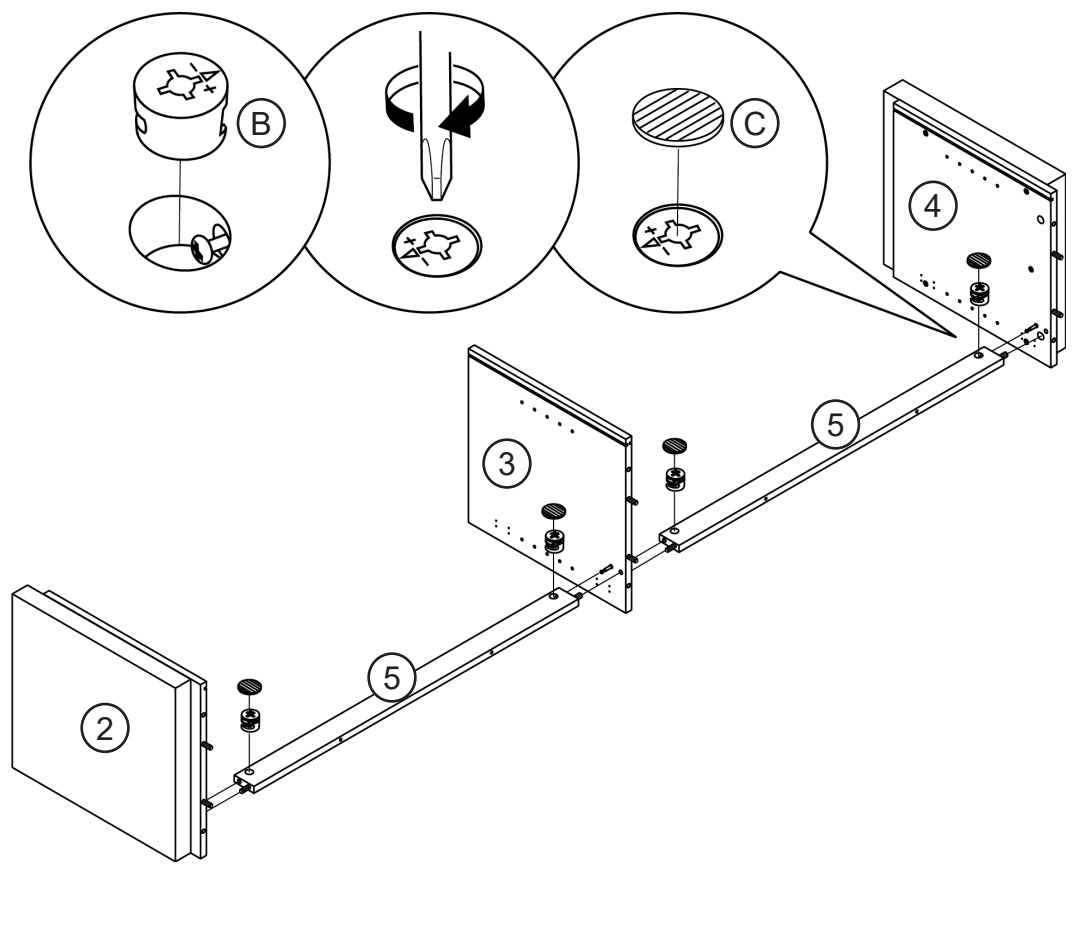
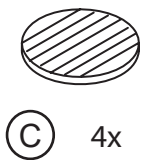
11

Insert wood dowels to the upper crossbars.



12

Assemble upper crossbars between the side panels and the center panels.

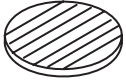


13

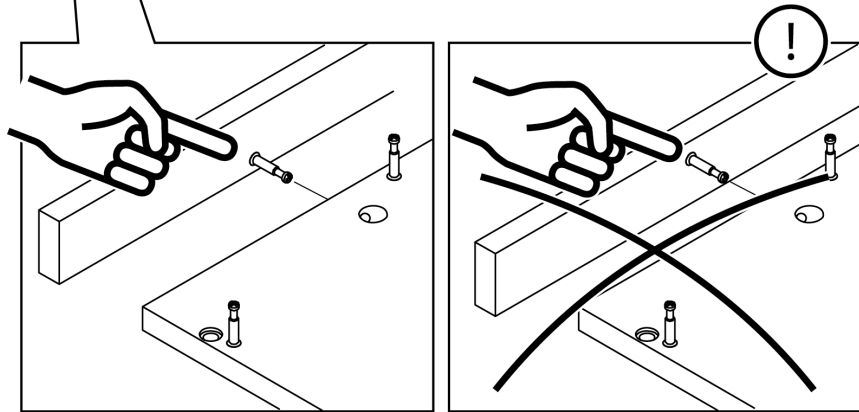
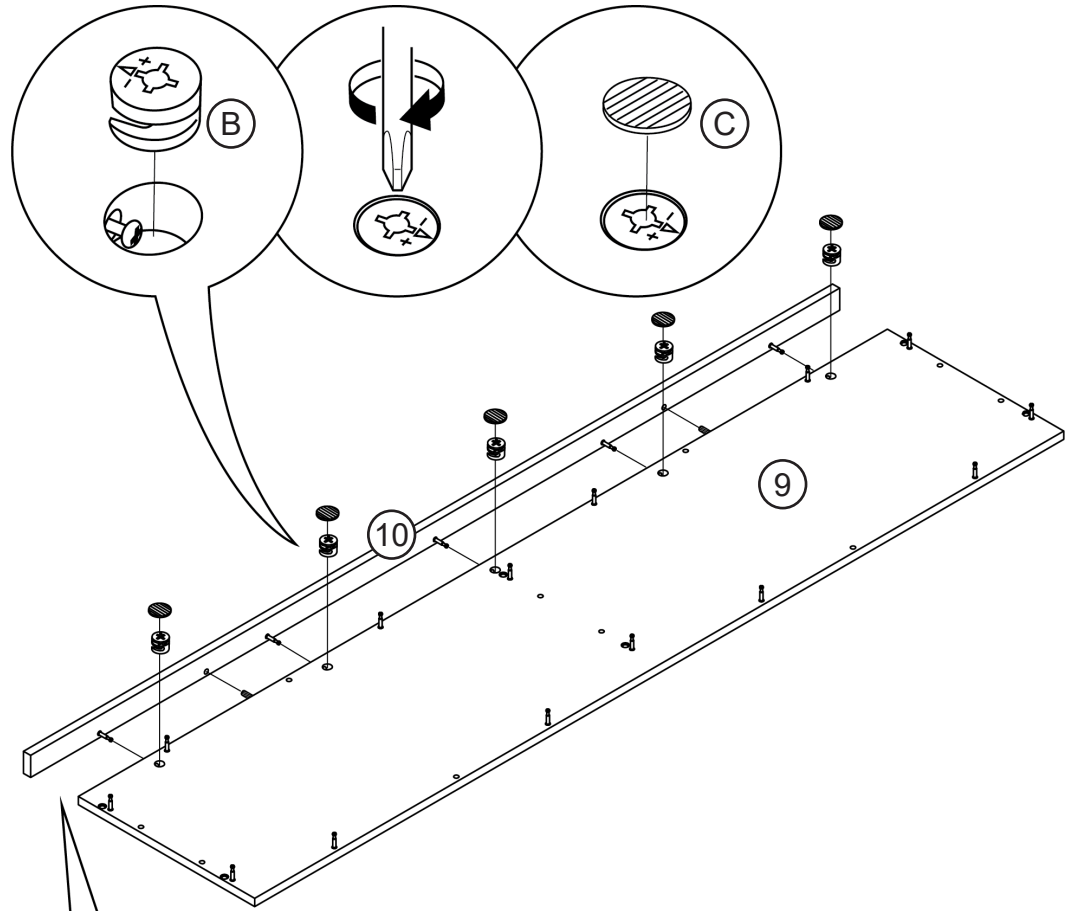
Assemble lower crossbar to the bottom panel.



(B) 5x



(C) 5x



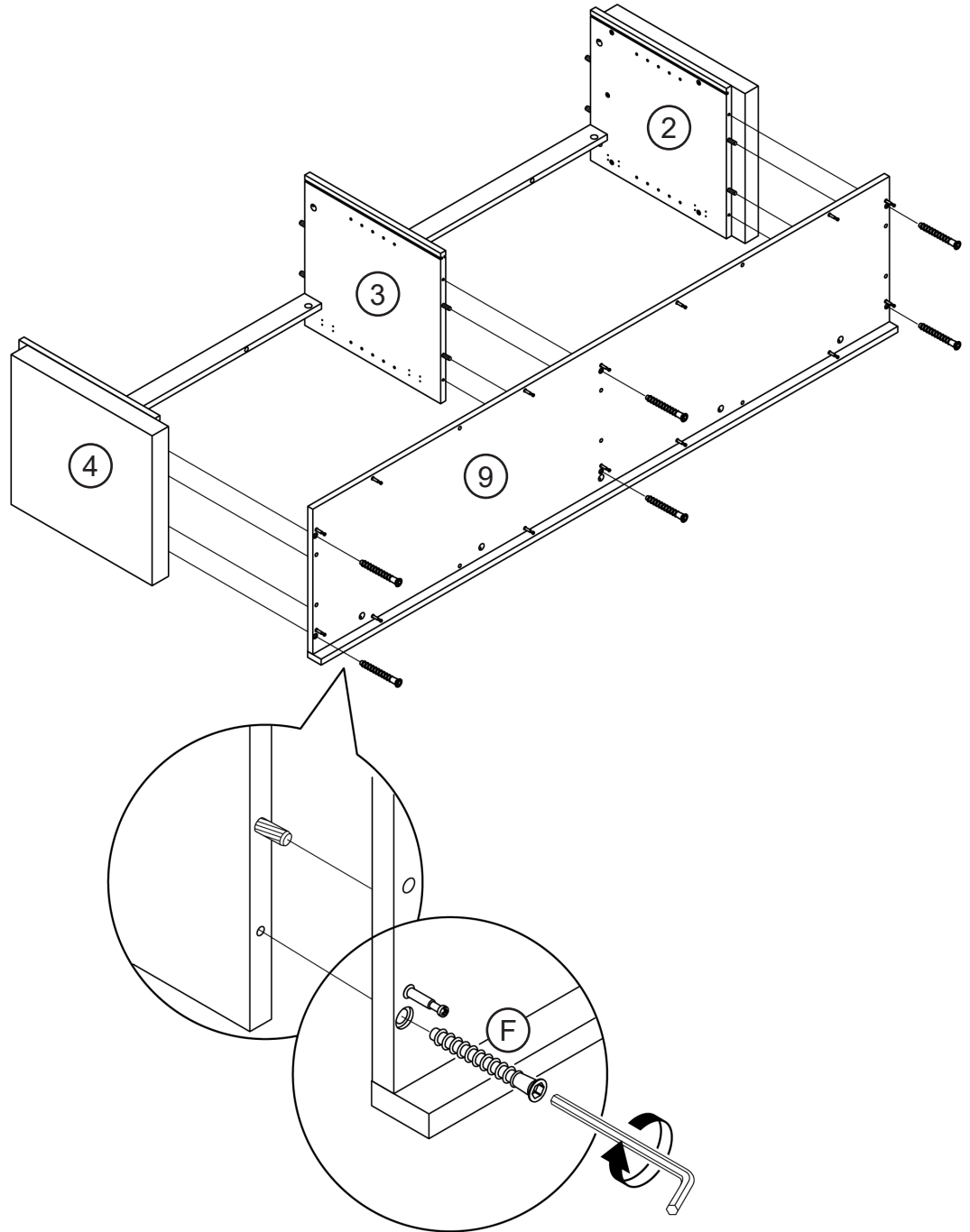
Beware of the orientation of the lower crossbar.

14

Assemble the side panels and center panel to the bottom panel.

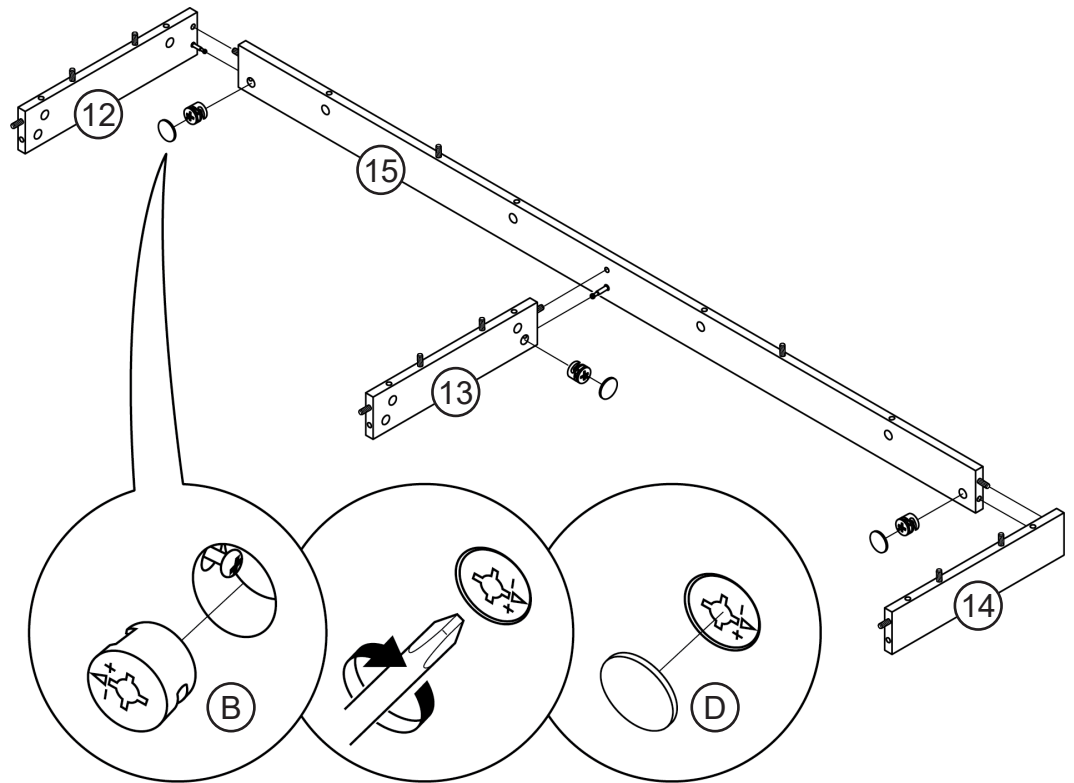
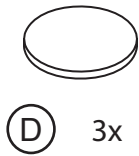
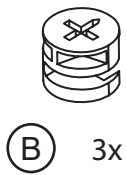


(F) 6x



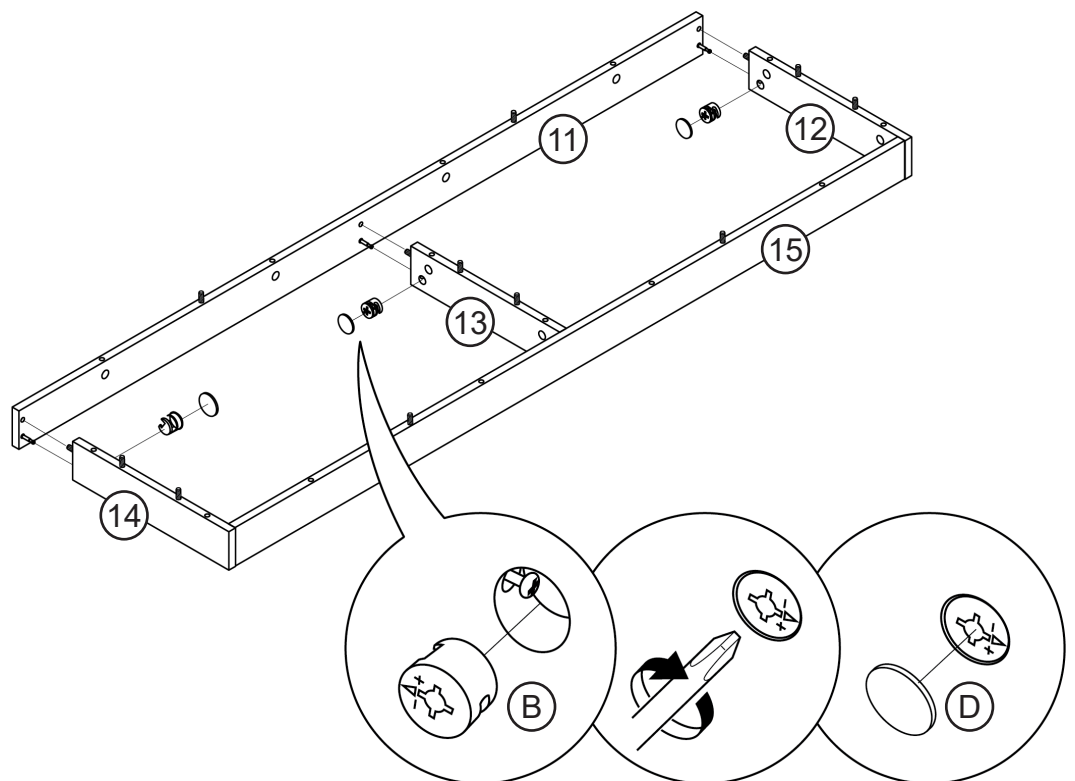
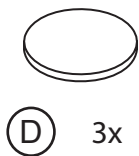
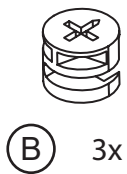
15

Attach the left, right and center support leg to the back leg.



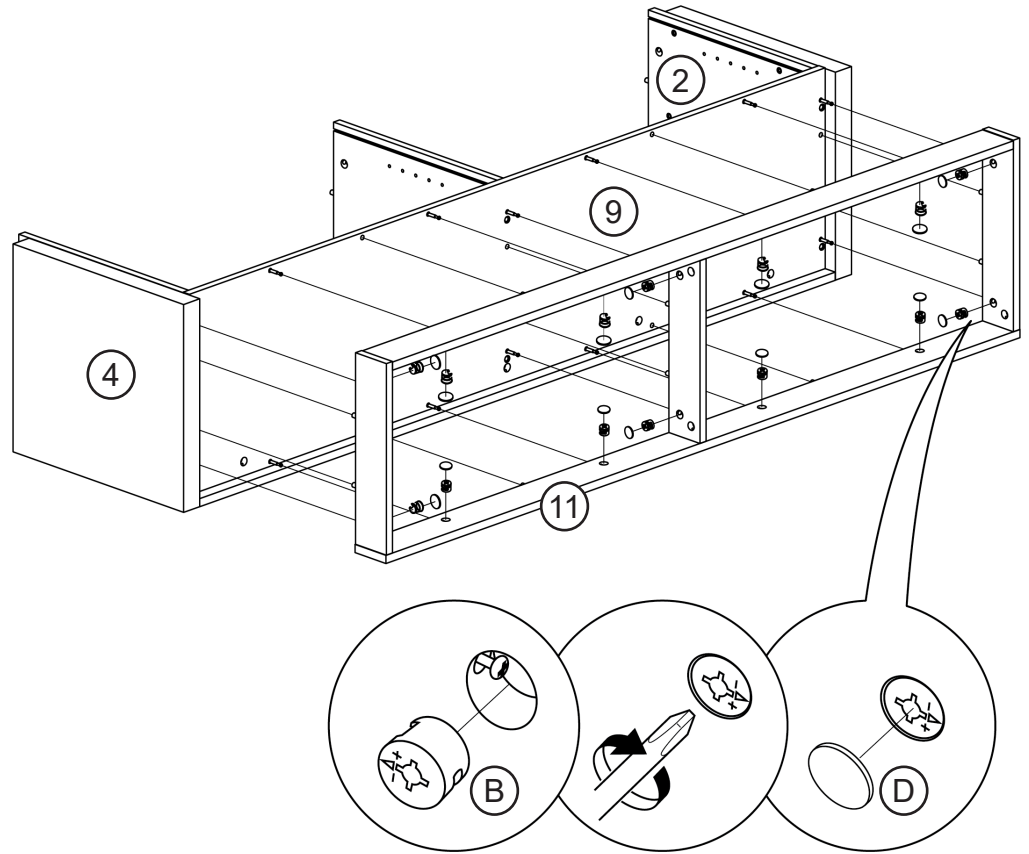
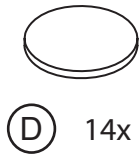
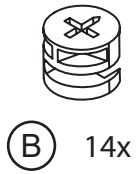
16

Attach the front leg to the leg assembly.



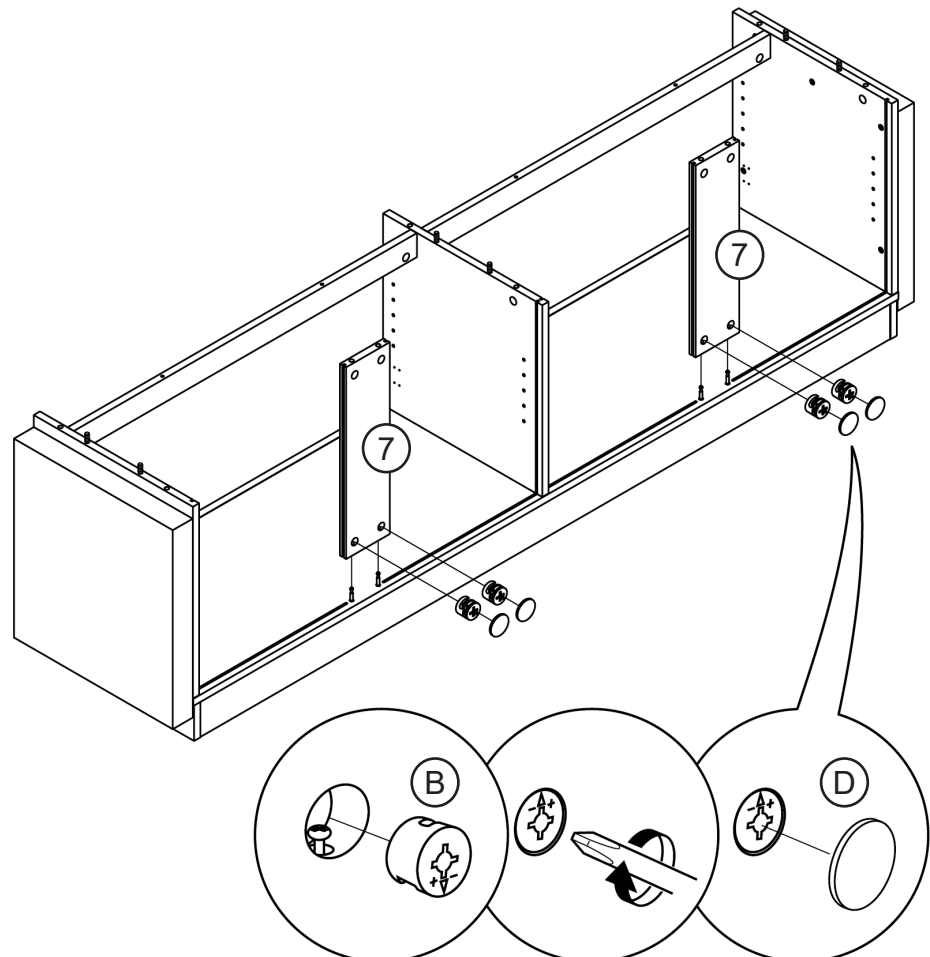
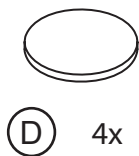
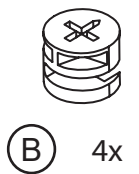
17

Assemble the leg assembly underneath the bottom panel.



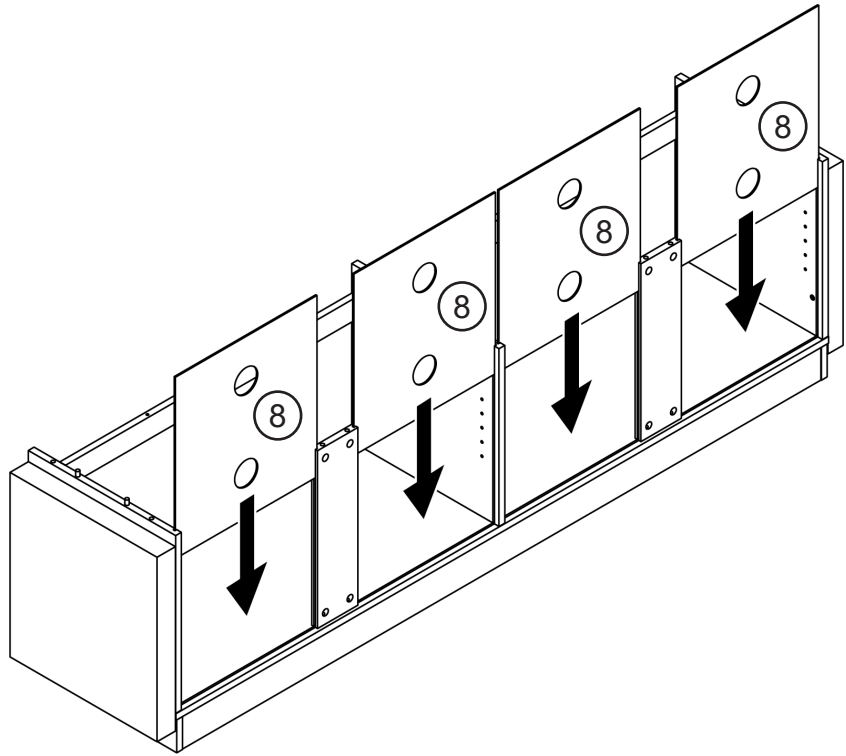
18

Assemble the back support panels on the bottom panel.



19

Slide in the back panels.

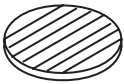


20

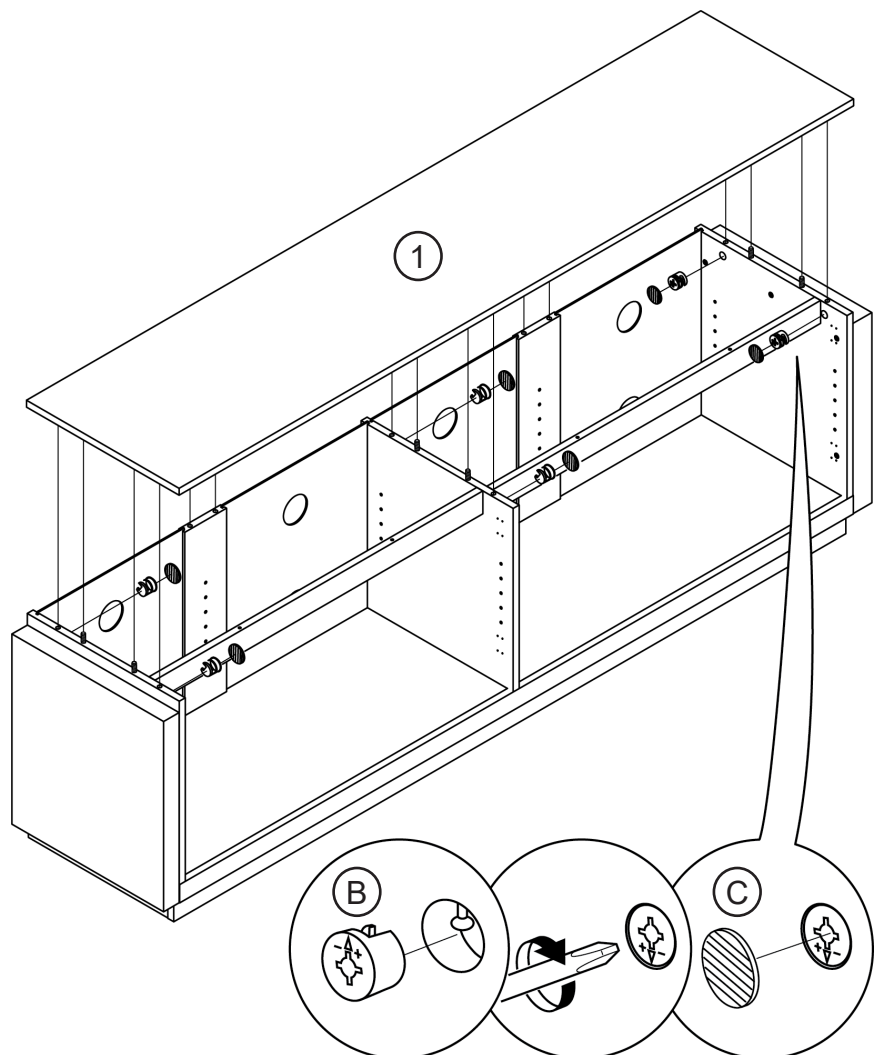
Assemble the top panel on top of the TV stand assembly.



(B) 6x

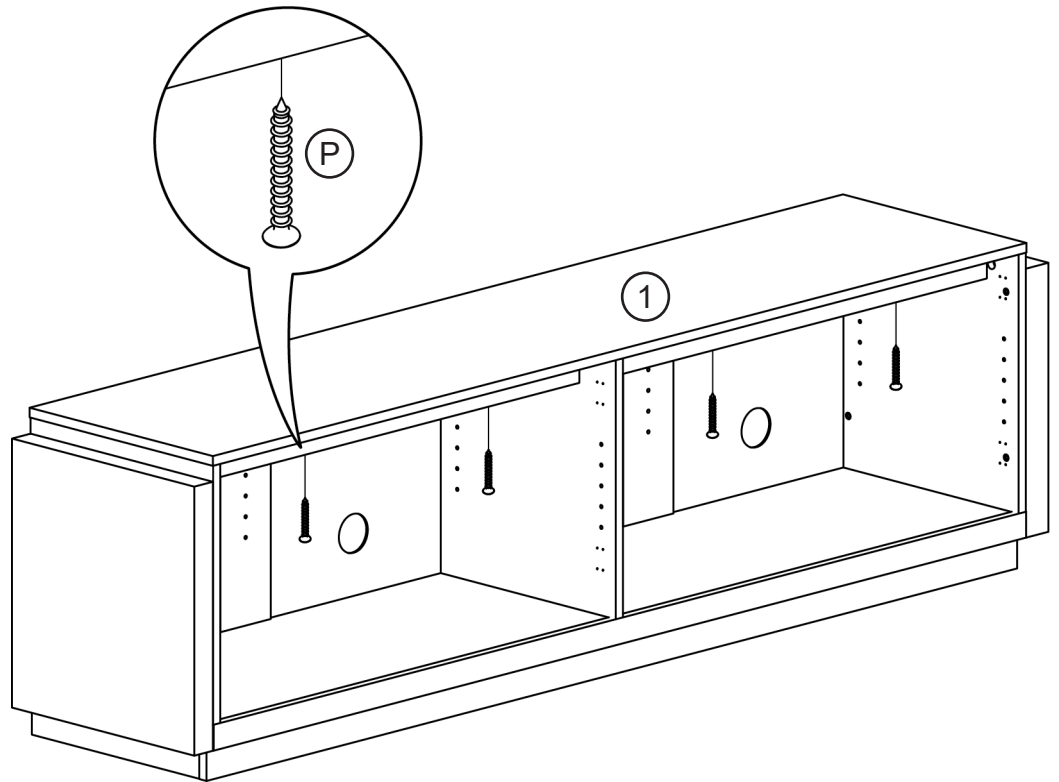
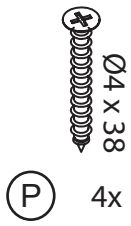


(C) 6x



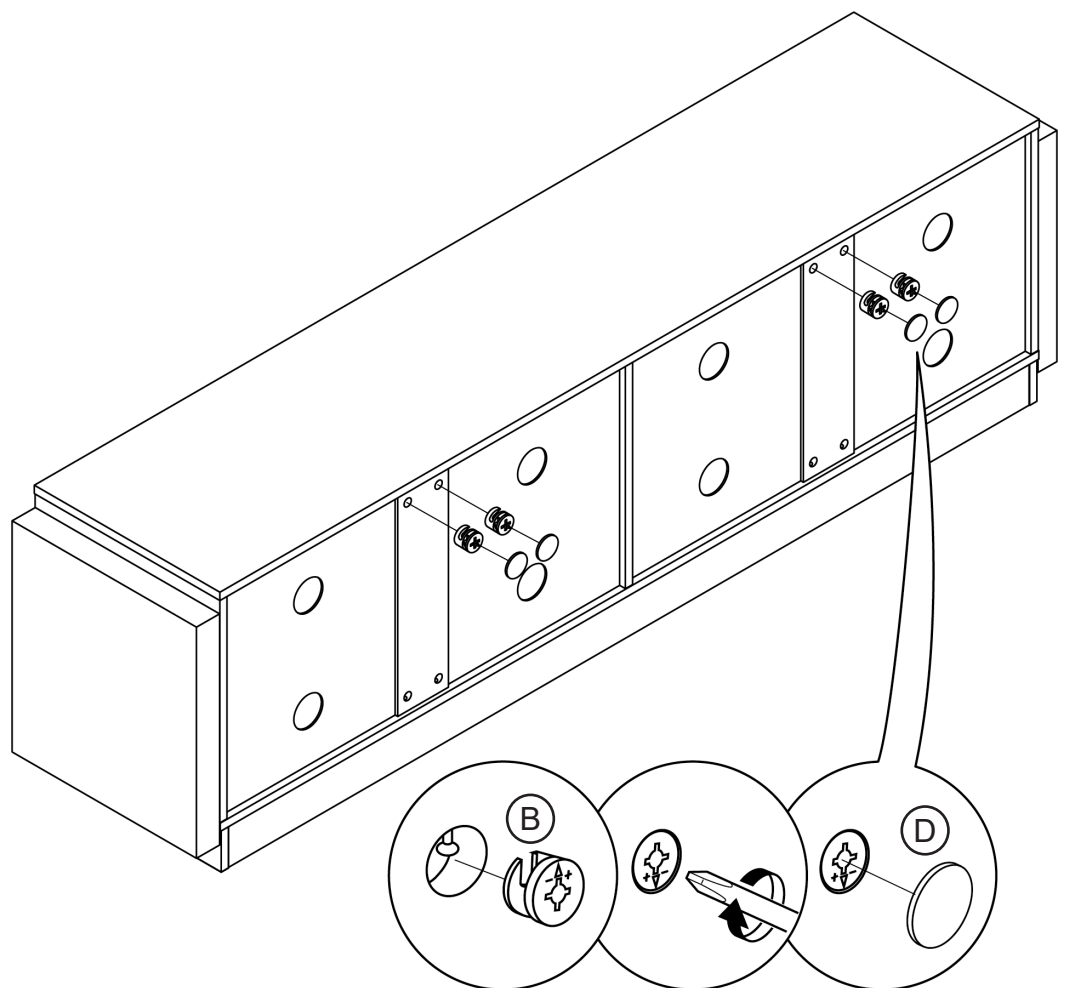
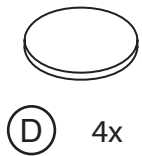
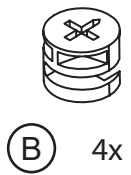
21

Secure the top panel to the upper crossbars.



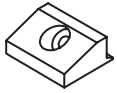
22

Secure the back support panels to the top panel.



23

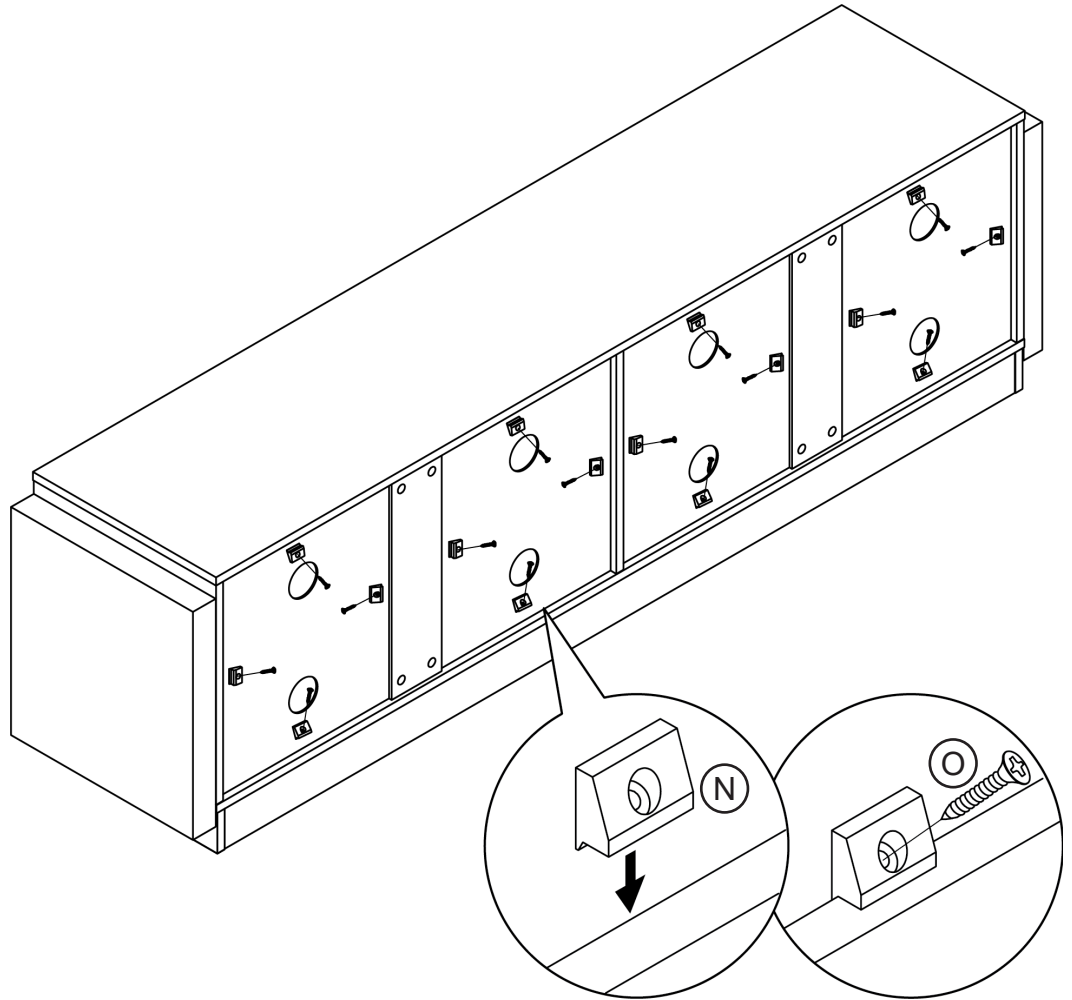
Secure the back panels in place.



(N) 16x



(O) 16x

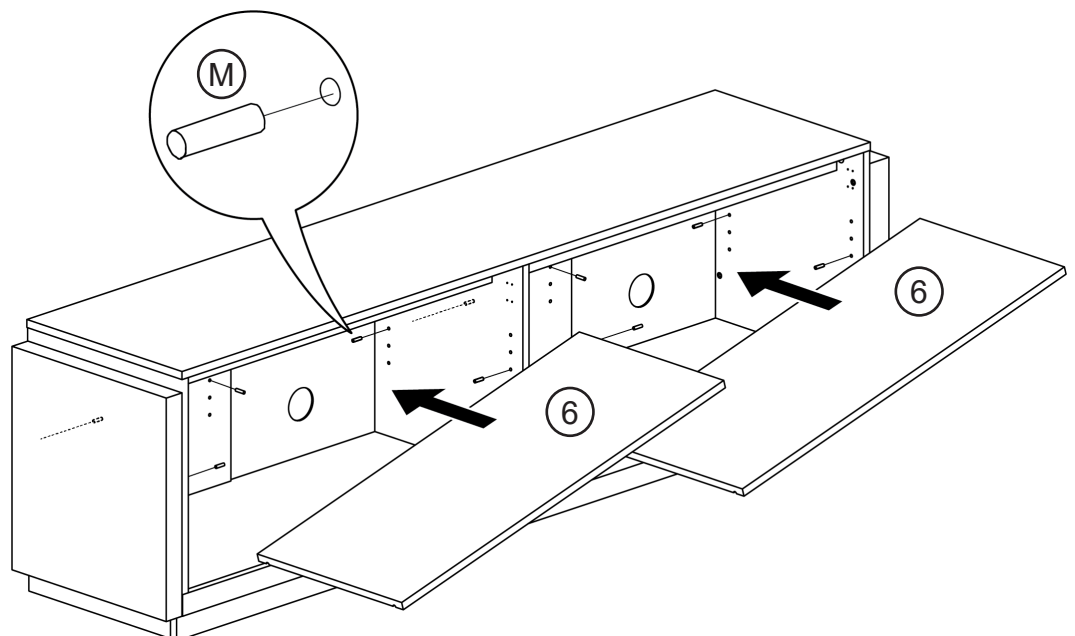


24

Insert shelf pegs inside the TV stand and put on the storage shelf panels.

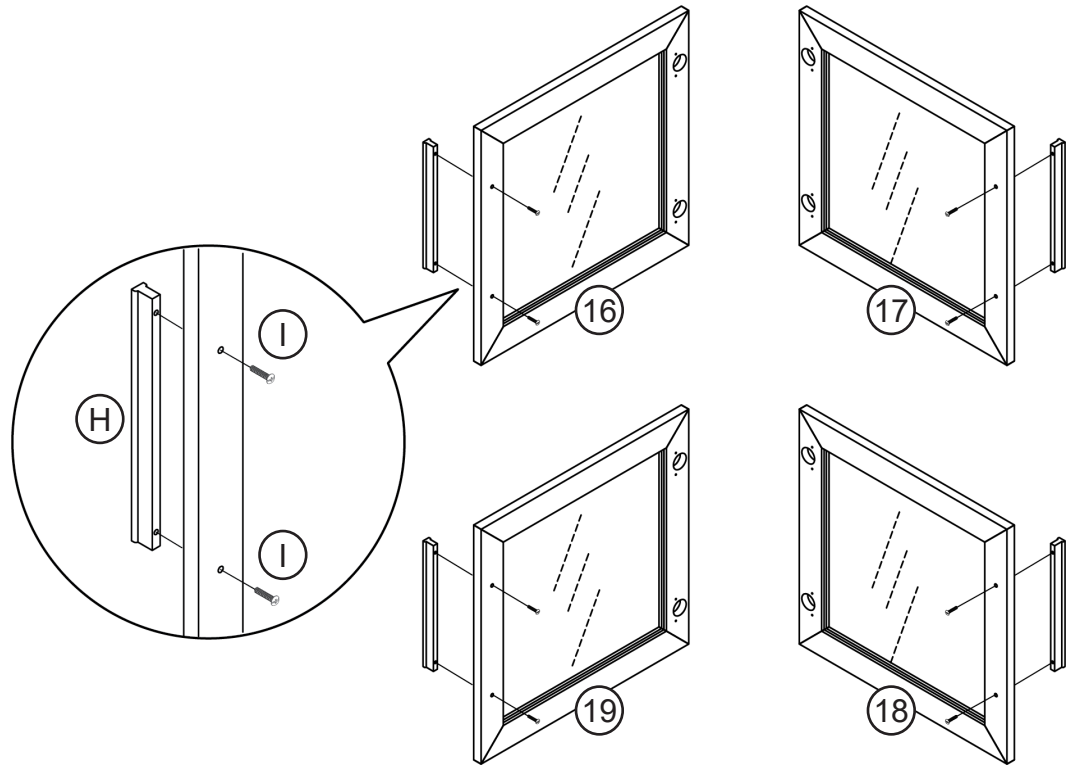
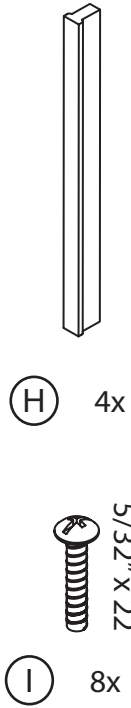


(M) 10x



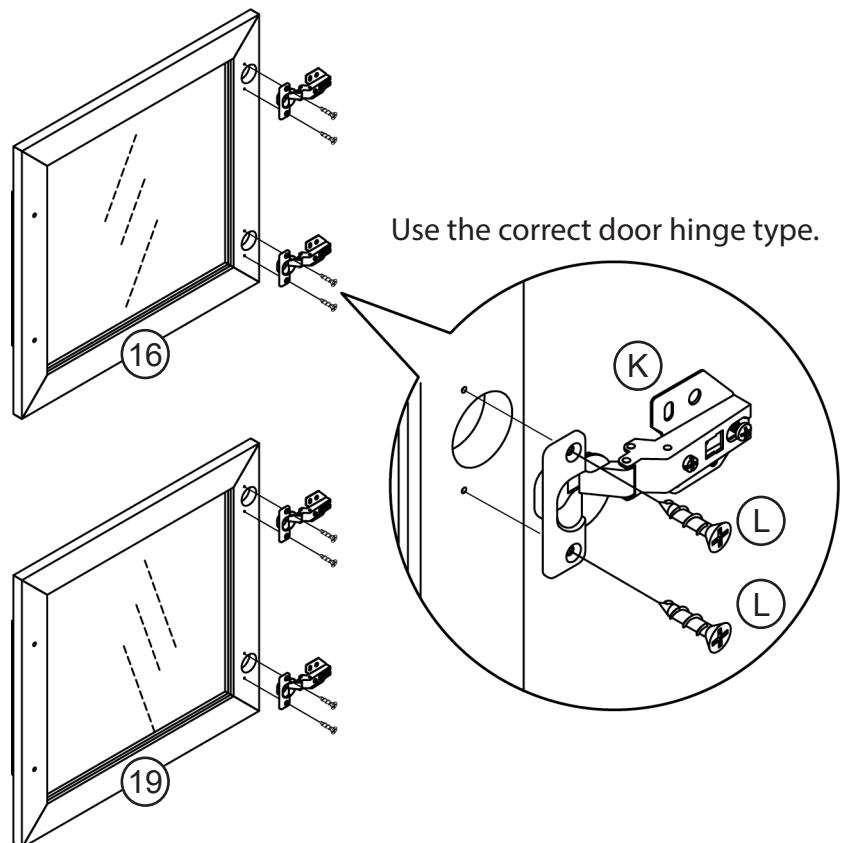
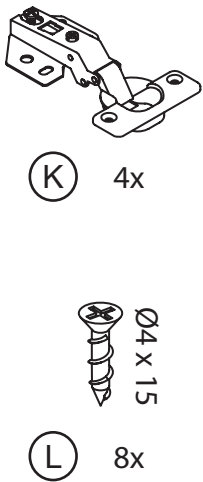
25

Attach door handles to the cabinet doors.



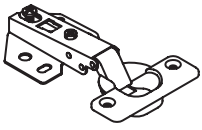
26

Attach door hinges to the cabinet door.



27

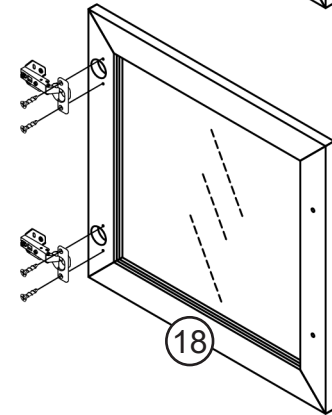
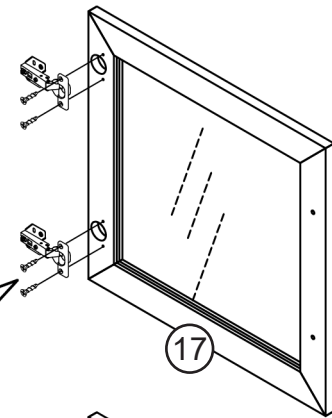
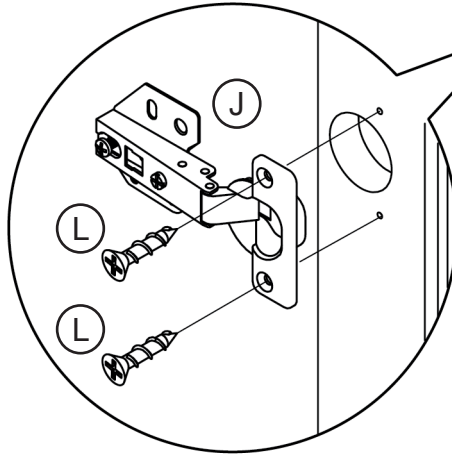
Attach door hinges to the cabinet doors.



(J) 4x



(L) 8x

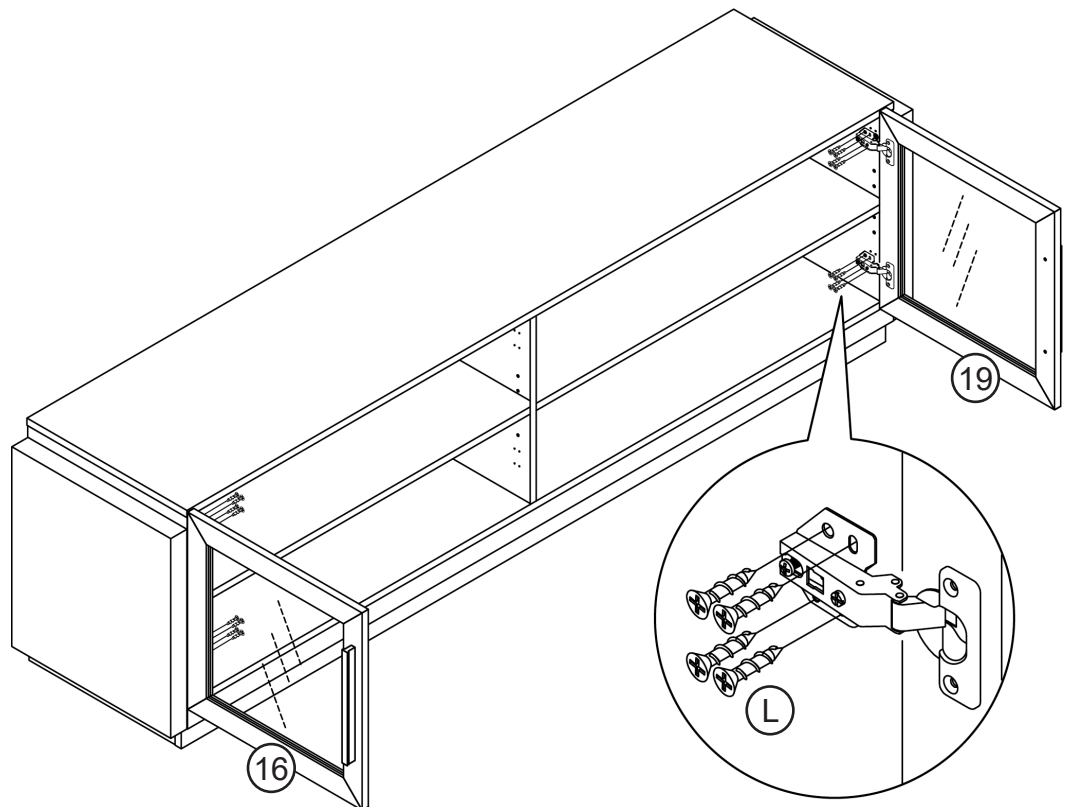


28

Attach the outer side of the cabinet doors to the TV stand.



(L) 16x

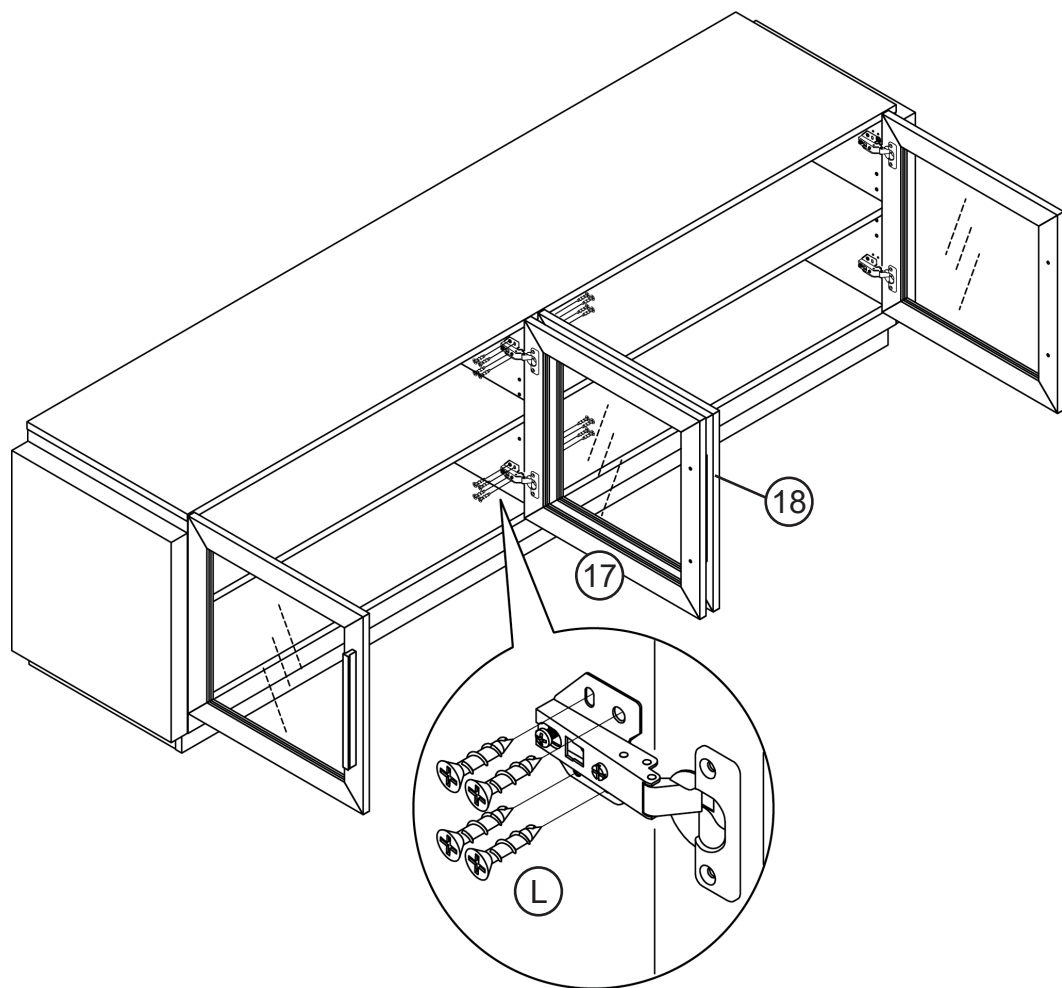


29

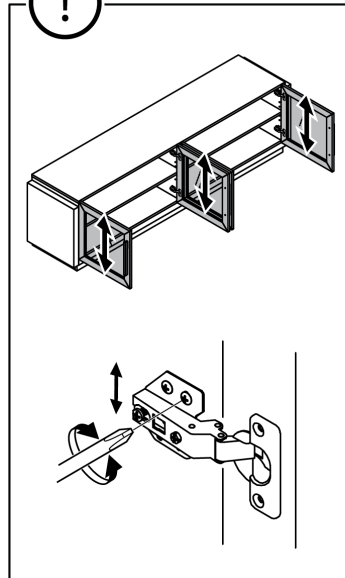
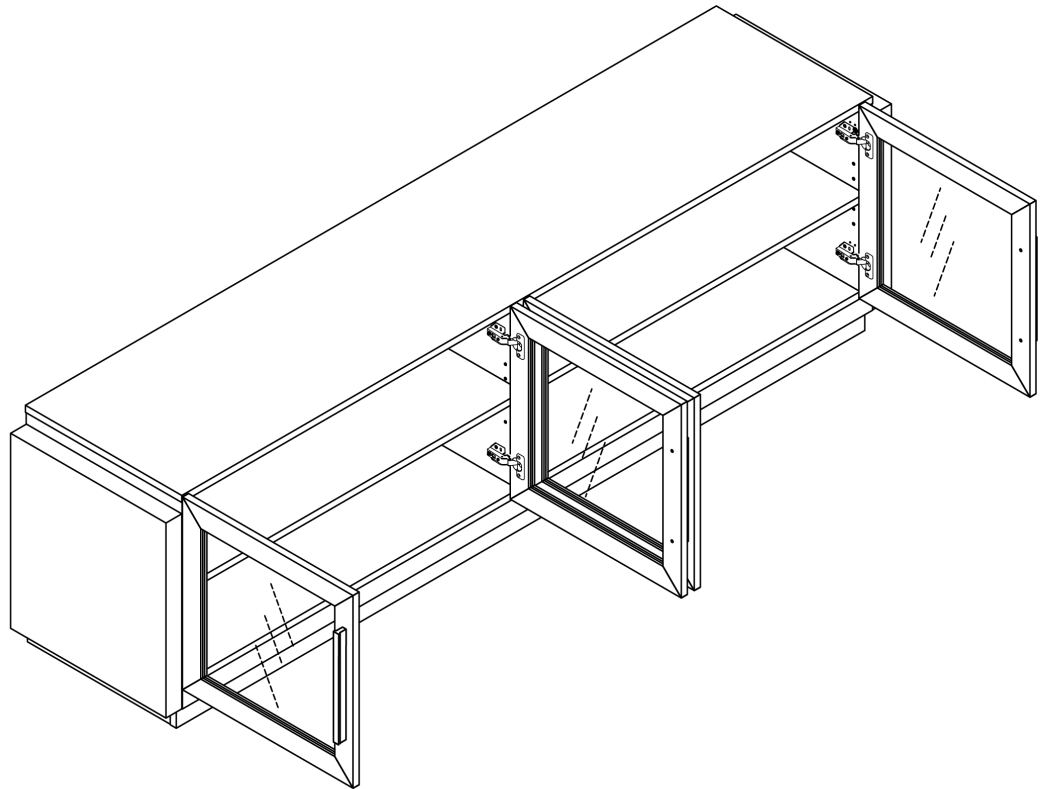
Attach the rest of the cabinet doors to the TV stand



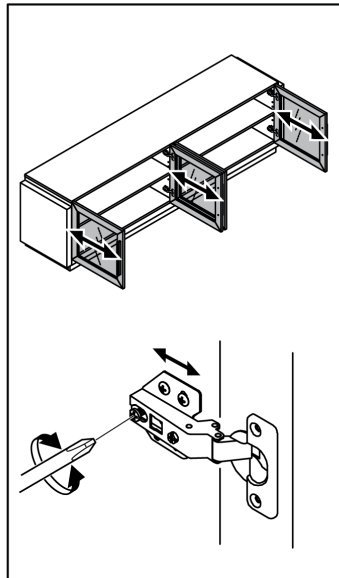
(L) 16x



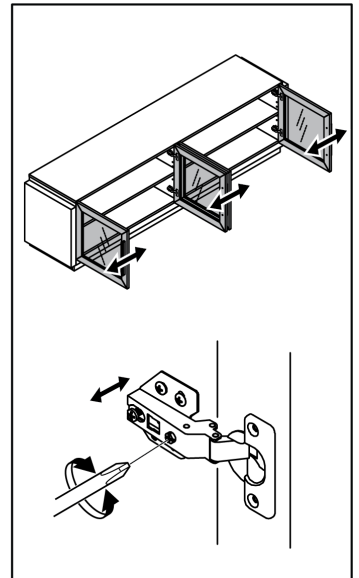
Adjust the position of the cabinet doors.



Up and down adjustment by loosening the screws on the mounting plate.



In and out adjustment by loosening the screws on the hinge arm.



Side to side adjustment using the front adjustment screw on the hinge.

31

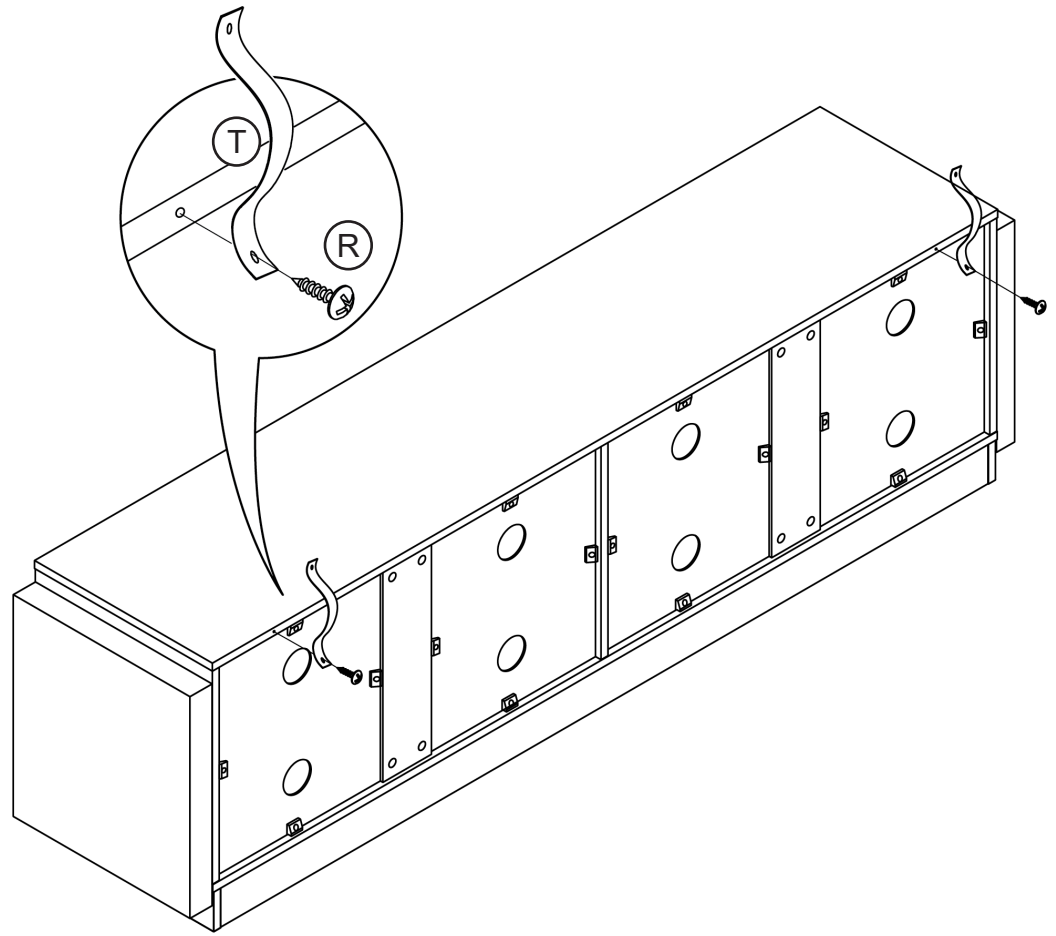
Attach anti-tipping strap behind the TV stand.



(R) 2x



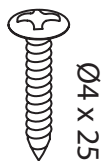
(T) 2x



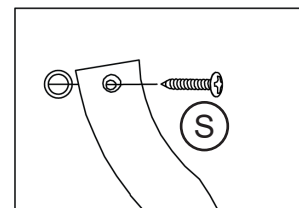
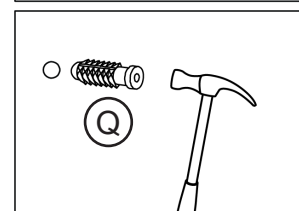
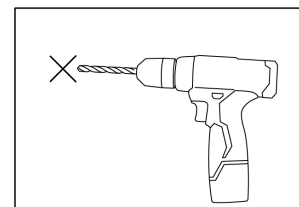
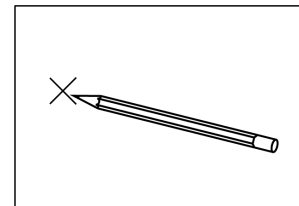
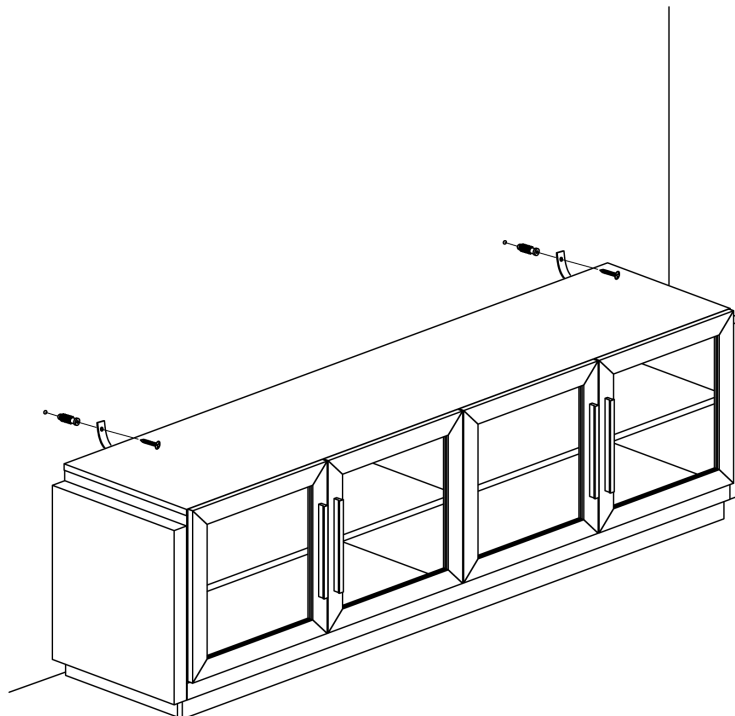
Affix the TV stand to the wall.



Q 2x



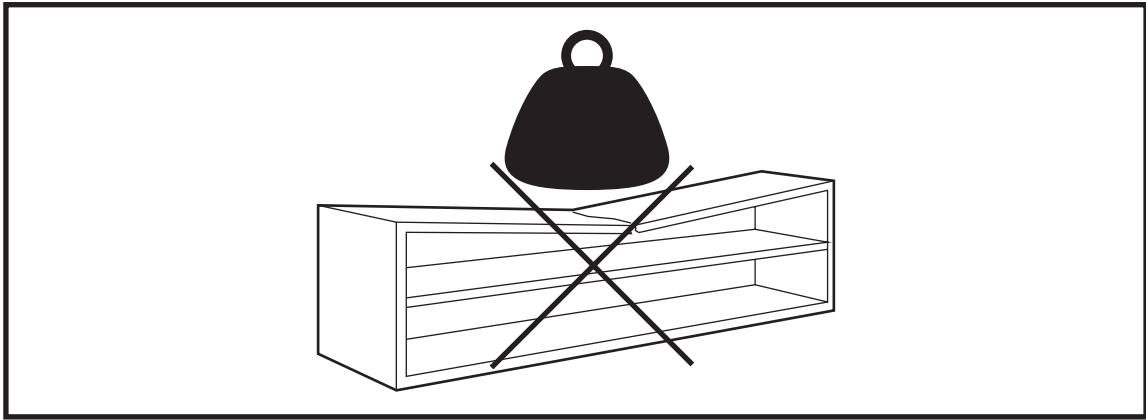
S 2x



Furniture must permanently fixed to the wall stud with included anti-tipping device to prevent the furniture from tipping over.

- Mark the drill position on the wall with a pencil.
- Drill a small hole on the marked position.
- Insert a wall anchor into the drilled hole.
- Fixed the anti-tipping strap to the wall with provided screws.

YOU'RE FINISHED!

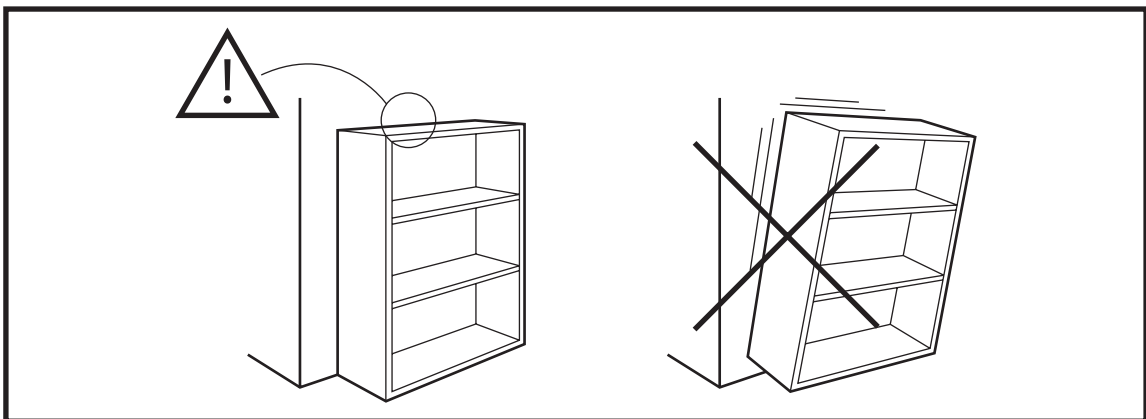


Warning

Only place items on top of the product if they meet the recommended size and weight limits.

Climbing on, stepping on, or placing overweighted objects on the product may cause property damage and/or injuries.

Items placed onto this product must be resting on a support surface without hanging over the edges.



Warning

Serious or fatal crushing injuries may occur if the furniture tip-over. Furniture must permanently affixed to the wall with included anti-tipping device in order to prevent the furniture from tipping over.

Different wall materials requires different types of wall anchors or screws. Use a suitable wall anchors or screws for your specific wall in order to secure the stability and load bearing capacity of the furniture. If you are uncertain about which type of device to use, please contact us or your local hardware store.

WARNING

For use with televisions weighing 90lbs (40.8kg) or less. Use with heavier televisions may result in instability, causing tip over resulting in death or serious injury.

Death or serious injury may occur when children climb on audio and/or video equipment furniture. A remote control or toys placed on the furnishing may encourage a child to climb on the furnishing and as a result the furnishing may tip over on to the child.

Relocating audio and/or video equipment to furniture not specifically designed to support audio and/or video equipment may result in death or serious injury due to the furnishing collapsing or over turning onto a child.

NOTICE

The recommended maximum width of the TV is 75 inches. Do not exceed the maximum load capacity.

This product is designed for flat panel TVs only.

BELLEZE[®]

FURNITURE CARE AND MAINTENANCE

Medium - Density Fiberboard

Thank you for your purchase. We want your item to last as long as possible. To ensure the product gives you years of longevity, please follow the recommendations in this care and maintenance guide.



MAINTENANCE

- Tighten all bolts and screws again within the first 2 weeks of assembly.
- Check the tightness of all bolts every 2 months and tighten them if necessary.



CLEANING

- Clean the surface of the MDF (medium - density fiberboard) with a lightly dampened cloth.
- A small amount of mild soap can be used if necessary.
- Dry the surface immediately after cleaning.

⚠ DO NOT use bleach or alcohol to clean the surface.

⚠ DO NOT apply wood treatment on parts made with MDF.

MDF will swell and distort when exposed to water damage. Make sure to dry the furniture immediately after cleaning.

⚠ WARNING

The manufacturer and seller are not responsible for any and all liability relating to personal injury, property damage or losses, whether direct, indirect, or incidental, resulting from the incorrect attachment, improper use, inadequate maintenance, unapproved modification or neglect of this product.

© All copyright of this document belongs to BELLEZE .
This document may not be printed, translated, reproduced, or distributed in whole or in
part without written permission from BELLEZE.

WARRANTY

BELLEZE products come with a 1-year warranty from the date of delivery.
Register your product on our website to enjoy our limited lifetime warranty!



AFTER-SALE SERVICE



Encounter any difficulties or missing parts?



Contact us at **1-800-682-6376** or email us at **support@belleze.com**



We will send you replacement.



Hassle free!
No need to worry about repackaging and sending your item back.

We hope you enjoy your new BELLEZE furniture!
Share your photos on Instagram and tag us: @bellezefurniture.

FOLLOW US:



@bellezefurniture

CONTACT INFO:

support@belleze.com
1-800-682-6376

BELLEZE®