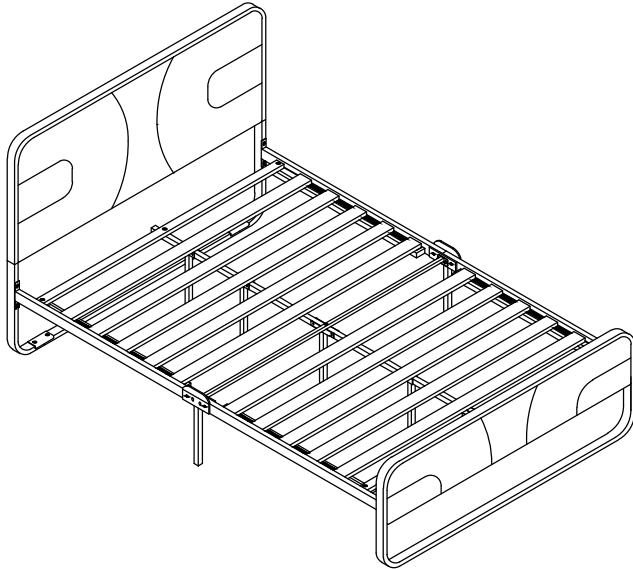


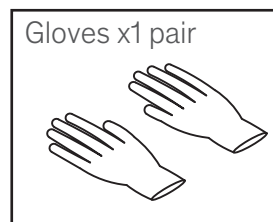
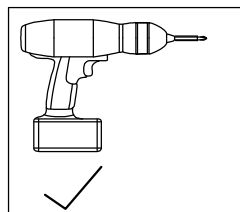
# ASSEMBLY INSTRUCTION



Please **TEAR OFF** this shrink film from side! **DO NOT USE CUTTER!**

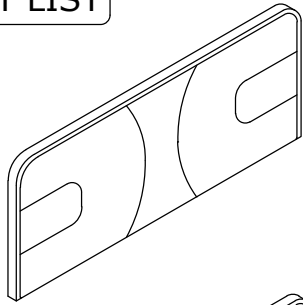
## IMPORTANT NOTE

1. FOR THE PROTECTION OF YOUR FURNITURE, PLACE ALL PARTS ON A CLEAN AND SMOOTH SURFACE TO PREVENT ANY DAMAGE.
2. DO NOT USE POWER TOOLS TO ASSEMBLE THE BED.
3. PLEASE PERIODICALLY CHECK ALL FITTINGS AND RE-TIGHTEN AS NECESSARY.
4. DO NOT USE THE BED UNLESS ALL BOLTS AND SCREWS ARE FIRMLY SECURED.
5. NEED PARTS OR ASSISTANCE? EMAIL US
6. YOU CAN ASSEMBLE IT WITH OUR PACKAGING TOOLS OR WITH A.

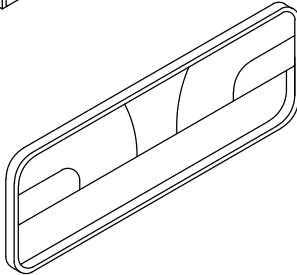


Please note gloves.  
This fabric is very light colour.  
So when assembling bed,  
please wear them.

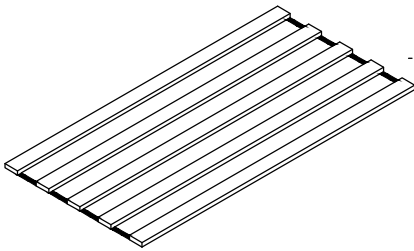
## PART LIST



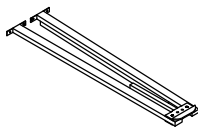
① x 1pc



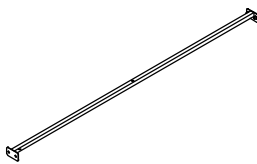
② x 1pc



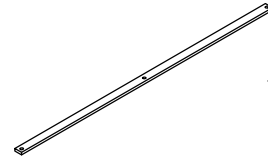
③ x 2pcs



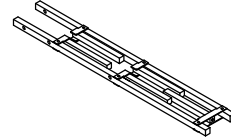
④ x 2pcs



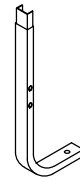
⑤ x 1pc



⑥ x 2pcs



⑦ x 1pc



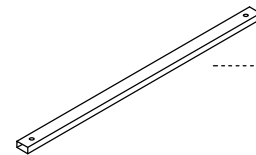
⑧ x 1pc



⑨ x 1pc



⑩ x 2pcs



⑪ x 1pc

## HARDWARE LIST



H1 M4 x 1pc



H2 M6x20mm x 16pcs



H3 M6x35mm x 4pcs



H4 M6x40mm x 10pcs



H5 M6 x 20pcs

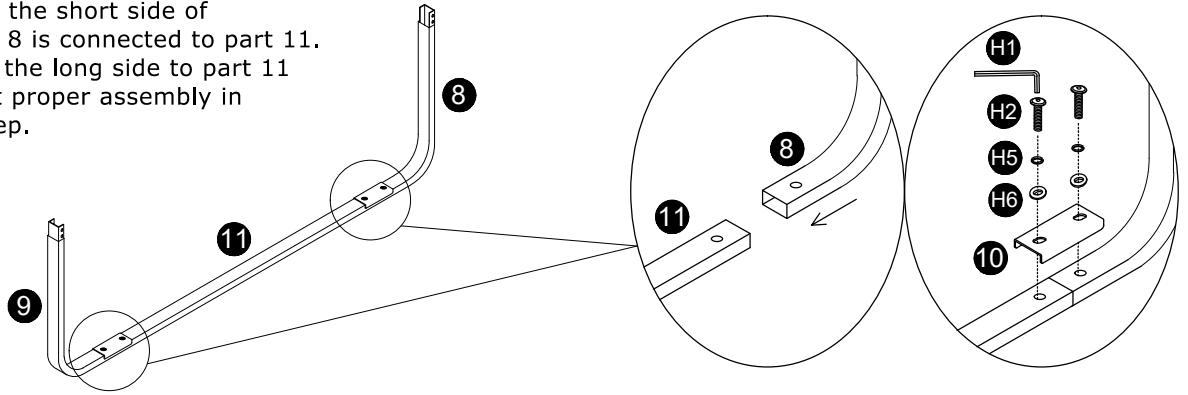


H6 M6 x 27pcs

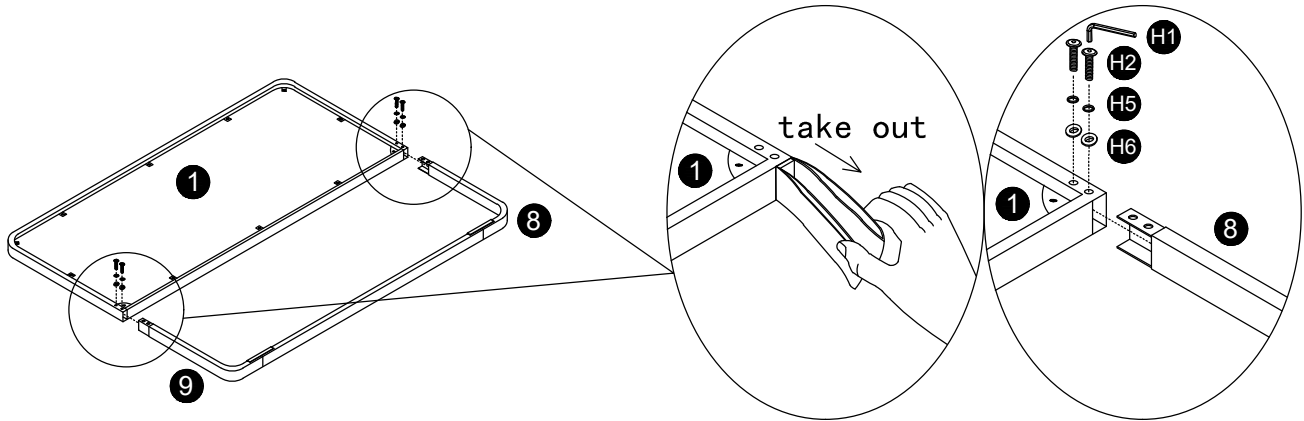


H7 M6x60mm x 1pc

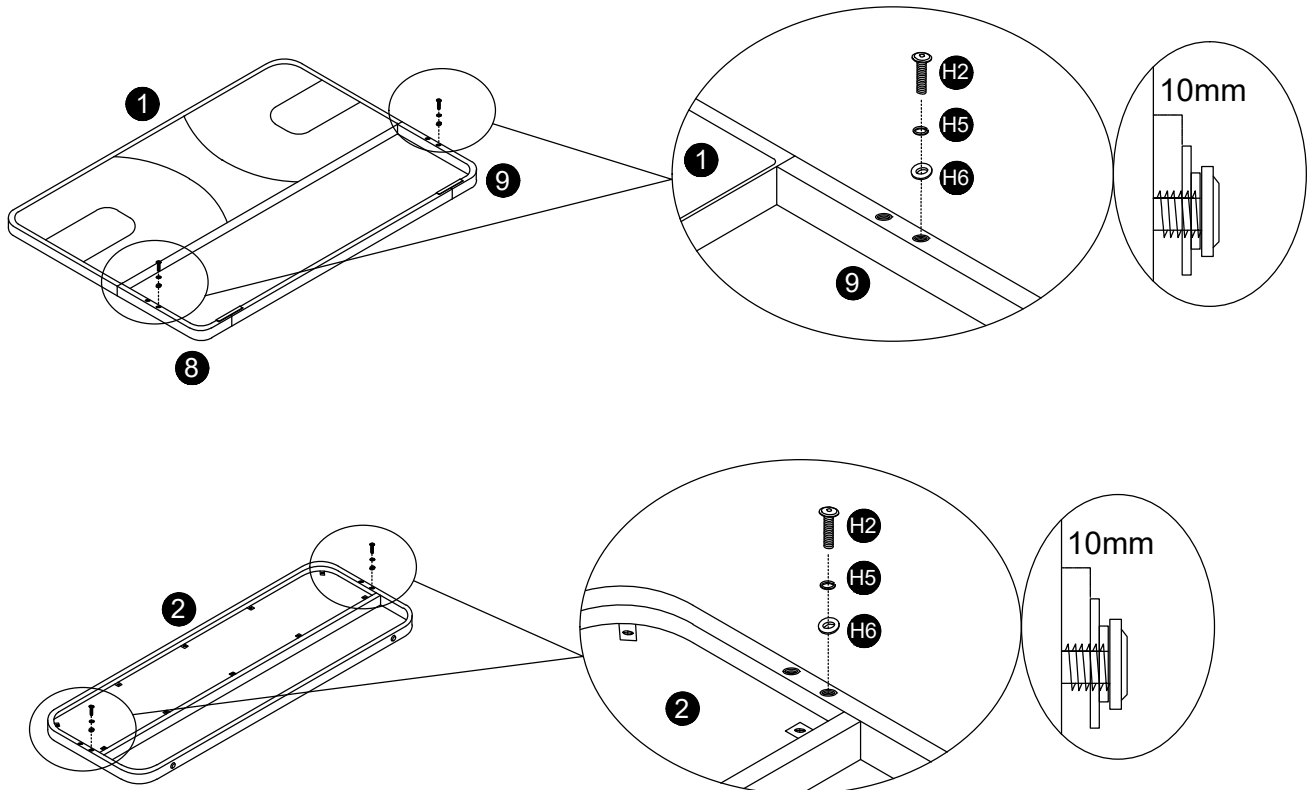
- 1** Ensure that the short side of parts 9 and 8 is connected to part 11. Connecting the long side to part 11 will prevent proper assembly in the next step.



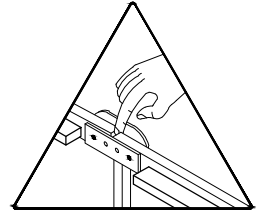
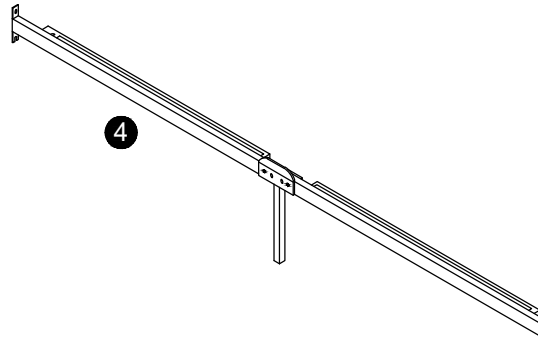
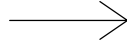
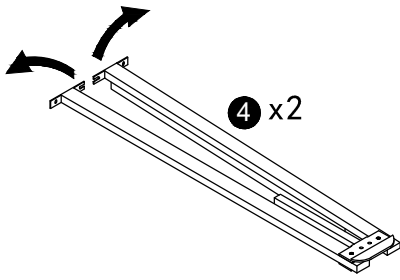
**2**



**3**

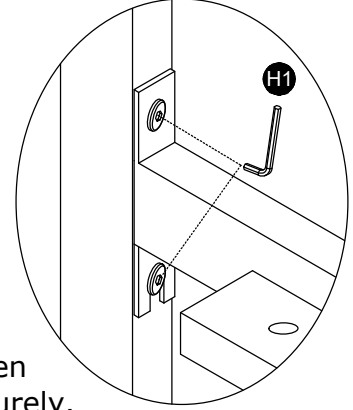
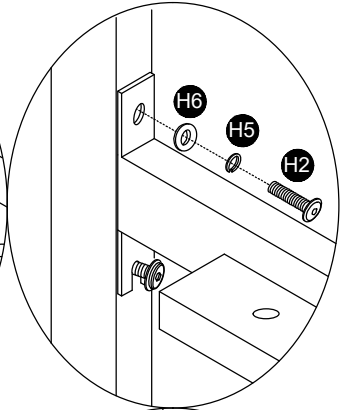
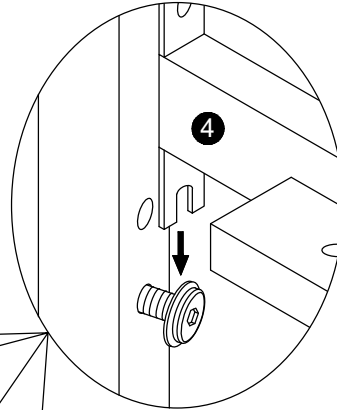
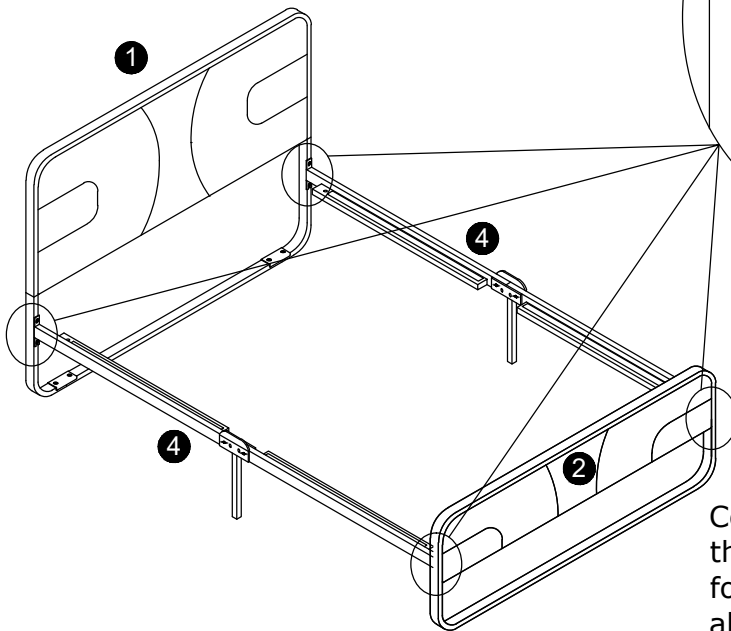


4



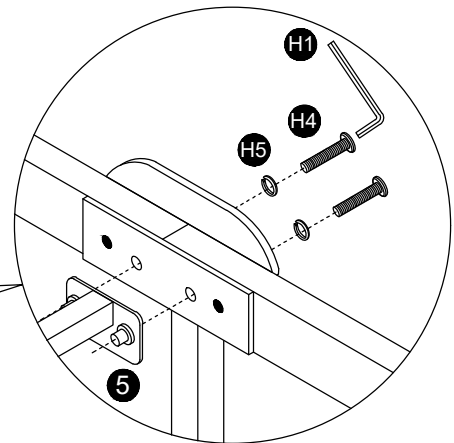
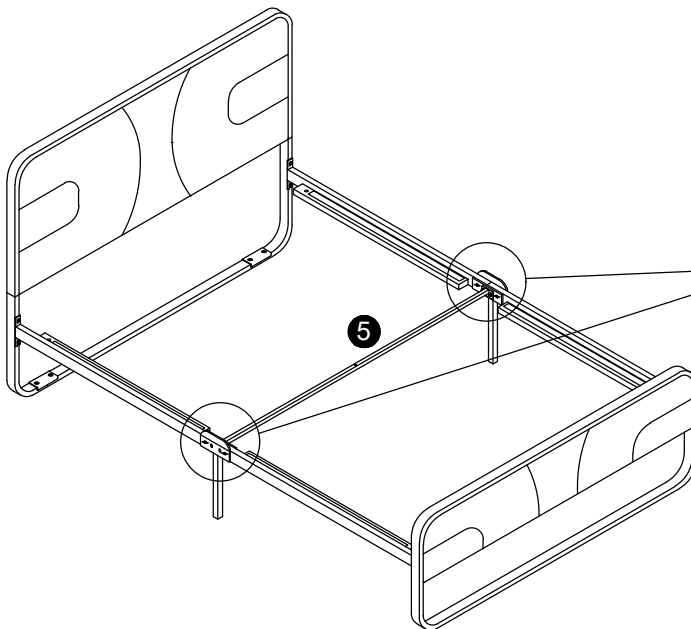
BEWARE OF CLAMP HAND

5

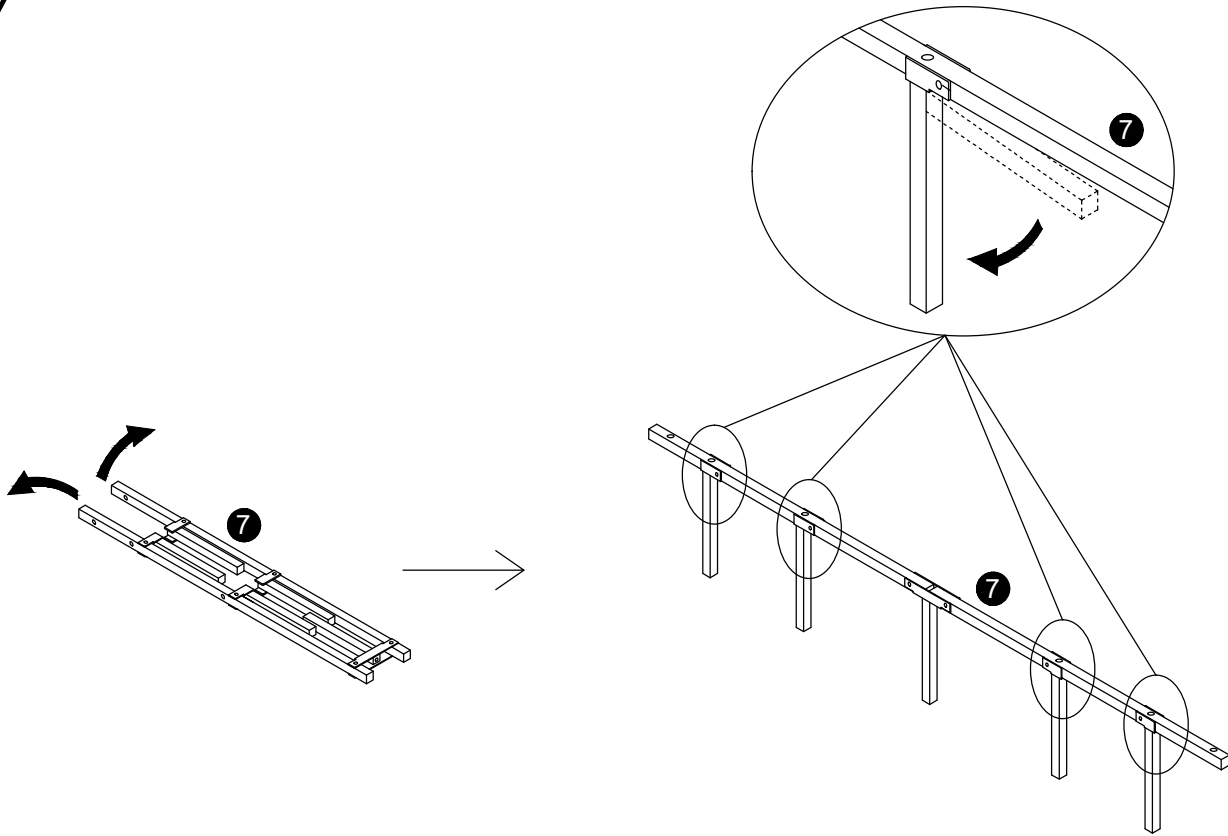


Connect part 4 to the headboard and footboard, and tighten all eight screws securely.

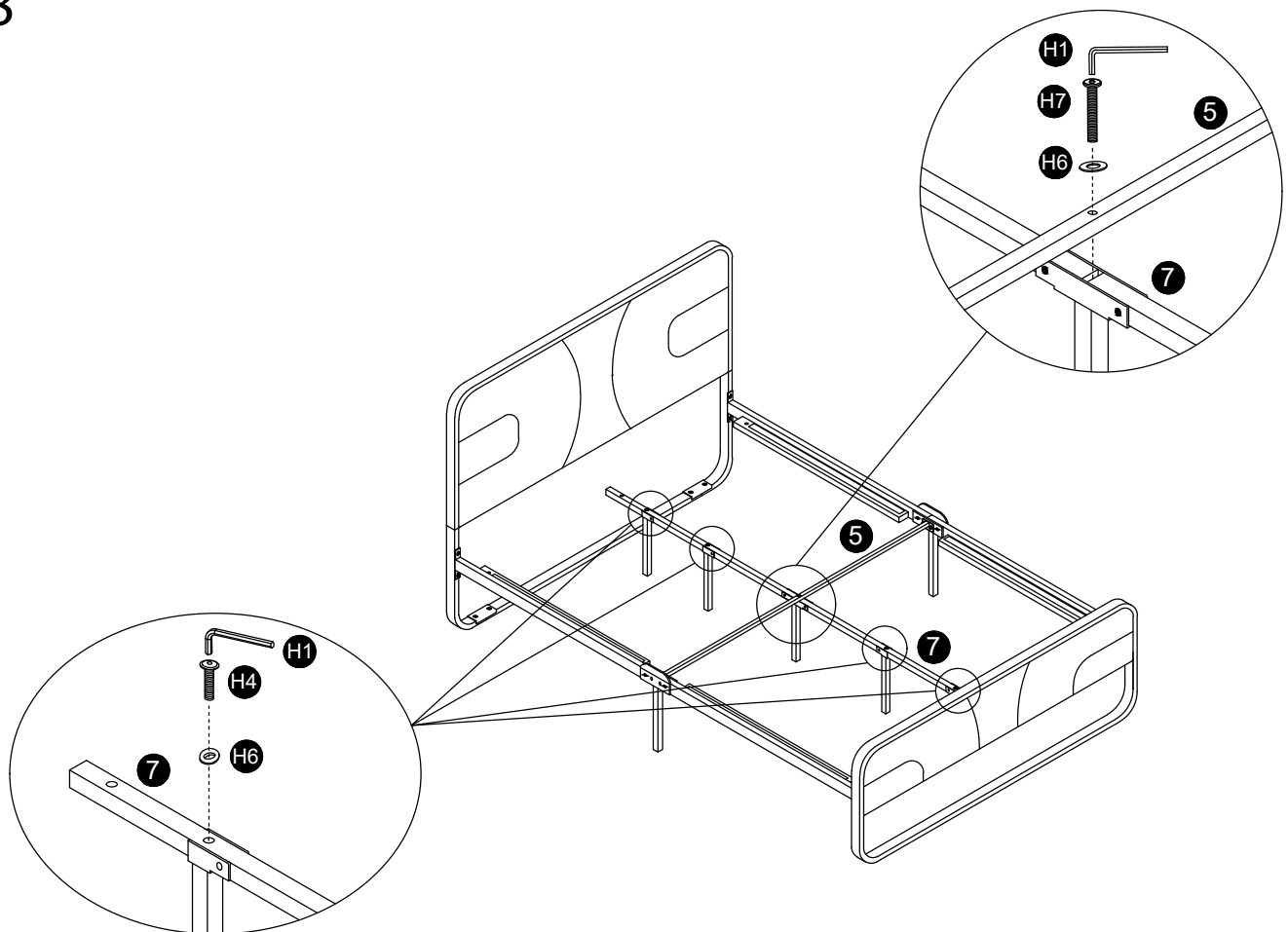
6



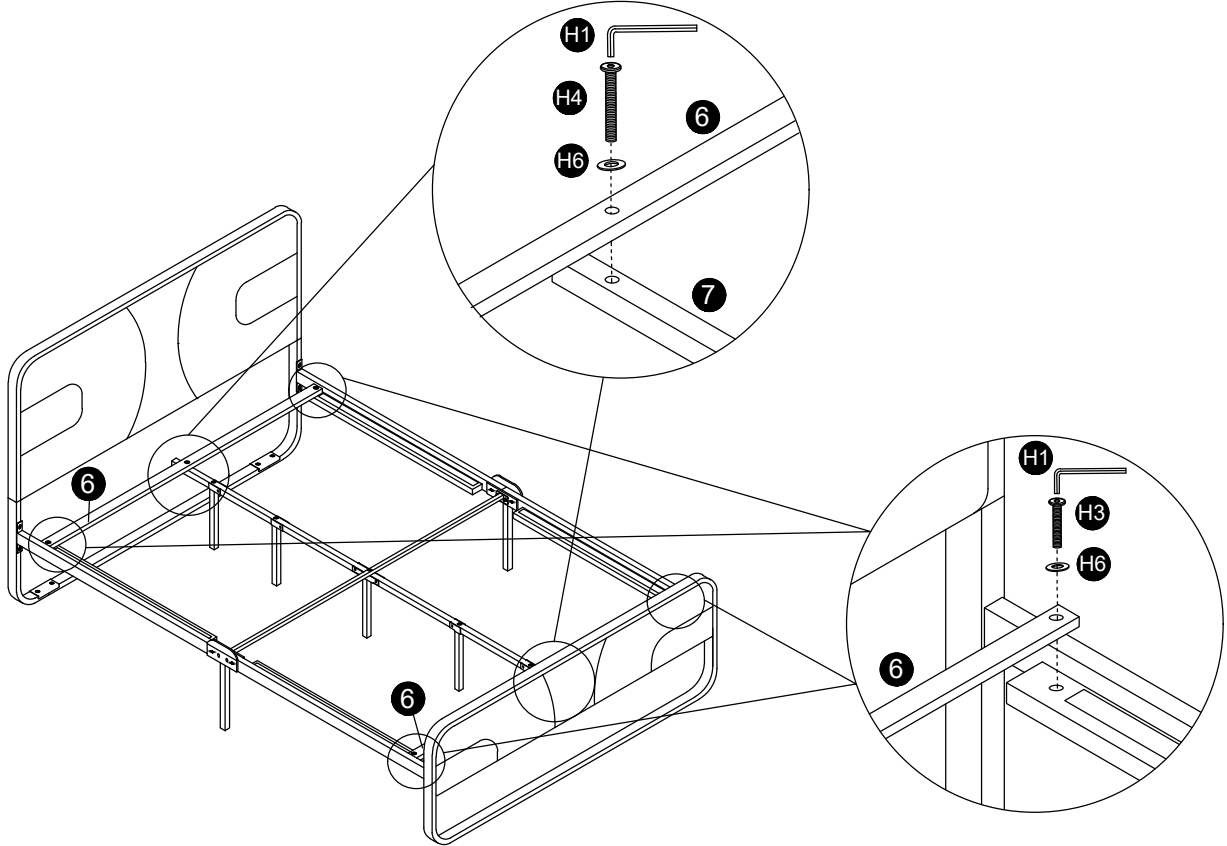
7



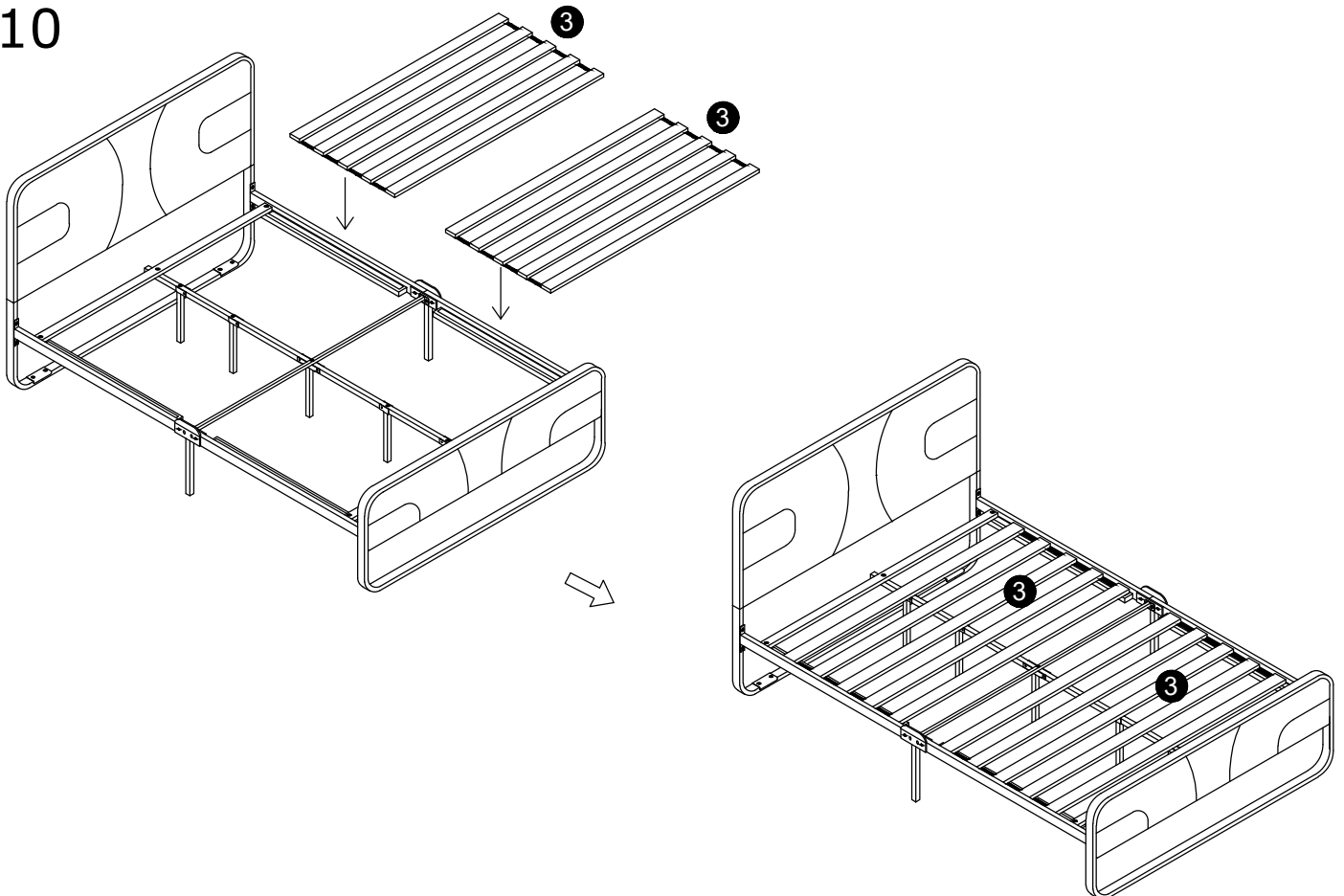
8



9



10



**Job Complete !**

*In the interest of our environment please dispose of all packaging thoughtfully.*