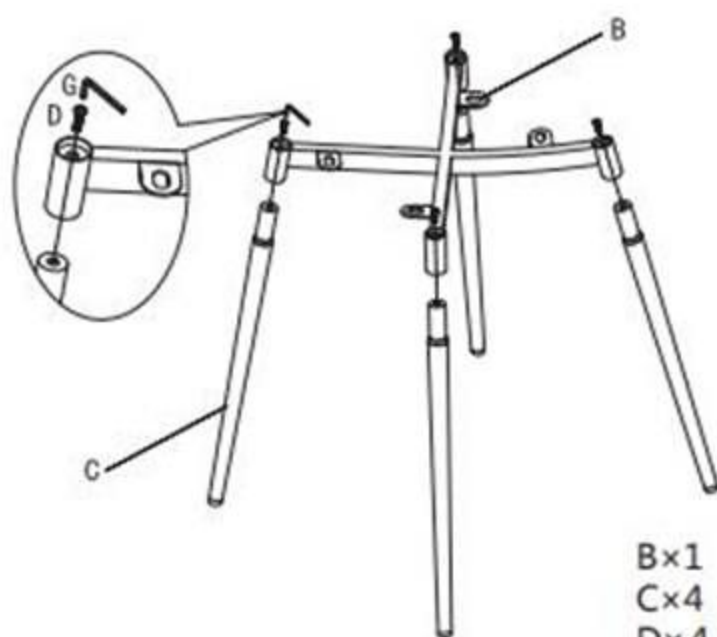


ASSEMBLY INSTRUCTIONS

B0501a

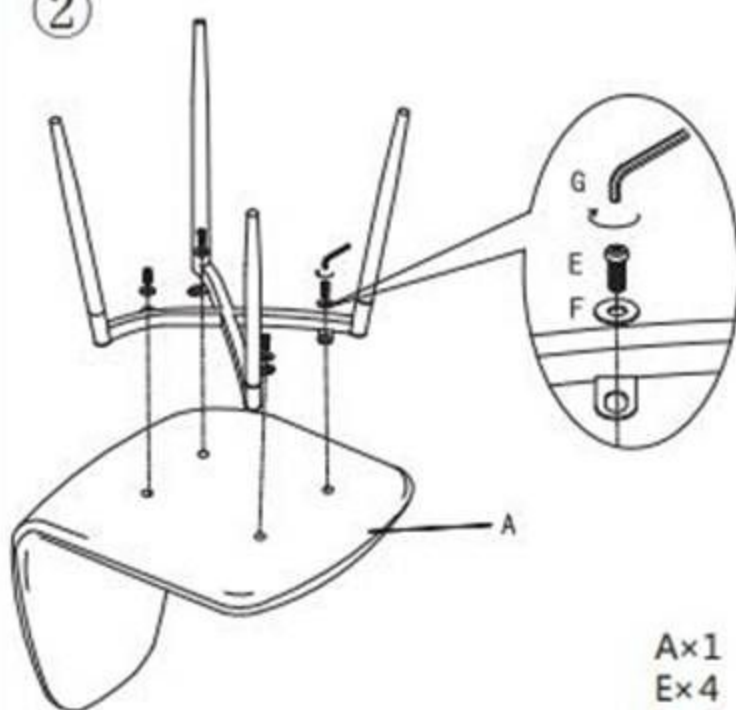


①

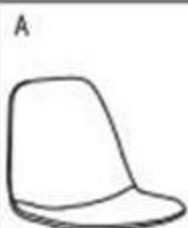


Bx1
Cx4
Dx4
Gx1

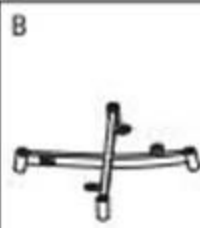
②



Ax1
Ex4
Fx4
Gx1



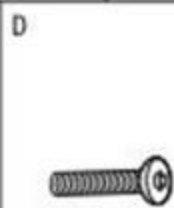
1x



1x



4x



M8x30mm

4x



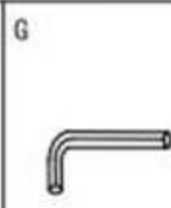
M6x16mm

4x



6x18mm

4x



1x