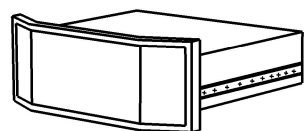
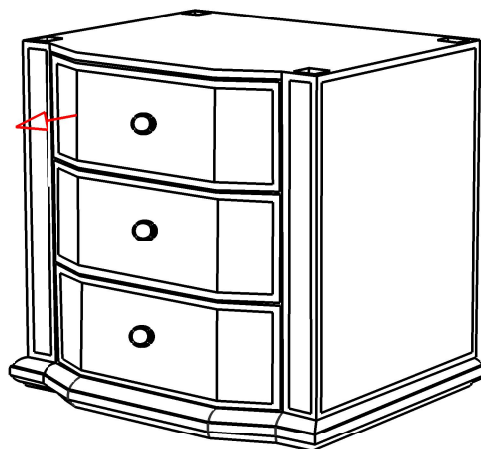


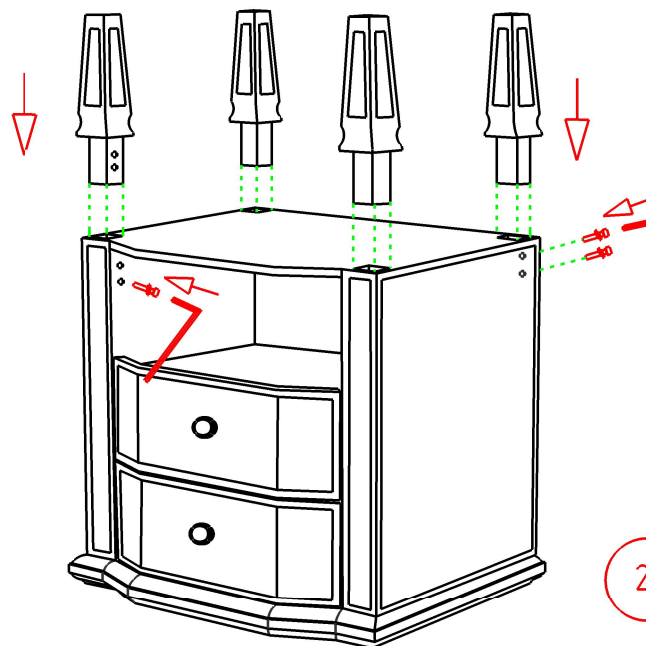
# Installation Instructions



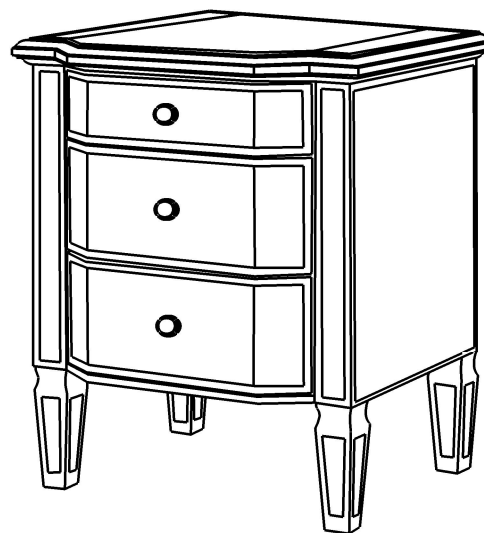
open and remove



1



2



3



1pcs



8pcs