

# ASSEMBLY INSTRUCTION

## **IMPORTANT:**

Please read all the instructions and warnings before assembling. In order to make the whole product adjust to the best, please install all the screws on the product and tighten all the screws after adjusting the product which can stand on the floor even.

## **WARNING:**

- The chair with ottoman is not a toy. Proper use of the chair with ottoman is for single person seating only. Chair tested for use at a weight of 300lbs. Improper use of this product or failure to use as directed may result in injury. This chair with ottoman is not intended for commercial use.
- Moreover, the chair and table are not to be used for standing purposes and they will not function as a stool or step-ladder.
- In addition, please use this chair and table on even surfaces only.

## **ATTENTION:**

- Please keep all children and pets away from the assembly area. In addition, children and pets should be supervised when they are in the area of product construction.
- Please make sure to keep the assembly area at least 6 feet from any obstruction such as a fence, garage, house, overhanging branches, laundry line or electrical wires.
- Some parts may contain sharp edges. Therefore, when assembling and using this product, basic safety precautions should always be followed to reduce the risk of personal injury and damage to the product. Please read all instructions before assembly and use.
- Please check all bolts for tightness before use. **IMPORTANT**-check and tighten bolts often to keep them secure!
- The chair with ottoman is not to be used for standing purposes and will not function as a stool or step-ladder. Again, this chair is used on even surfaces only.
- The chair with ottoman used at the weight of 300lbs. Improper use of this product or failure to use as directed may result in injury. Not intended for commercial use.
- The coffee table is not to be used for standing purposes and will not function as a stool or step-ladder. Again, this coffee table is used on even surfaces only. Please **DO NOT** put excessive weight on the product, this could cause damage to the coffee table.

## **CARE&MAINTENANCE**

STAIN RESISTANT CUSHIONS CARE-KEEP THE CUSHIONS IN STORAGE IN RAINING DAY.

### **SPILLS**

Please immediately wipe up the spill using a white damp cloth. Repeat process if necessary until stain is gone. Allow the cushion to air dry.

### **FABRIC CARE**

Please use cold water and hand wash, use non-chlorine bleach when needed, lay flat to dry. Cool iron if necessary. Do not dry clean.

### **RESIN WICKER PRODUCT CARE**

Before using, please clean the product completely with a soft dry towel. Moreover, when the chair not in use, you should wipe off any dirt or lose objects, wash with a mild solution of soap and water, rinse thoroughly and dry completely. Please do not use strong detergent or abrasive cleaners. Since nuts and bolts can loosen over time, so please check nuts and bolts on all chairs and table, re-tighten if necessary.

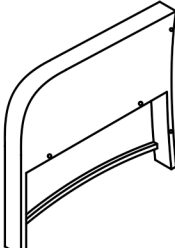
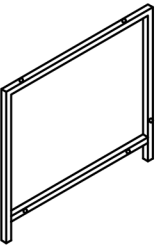
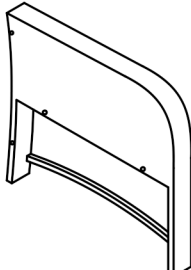
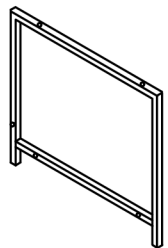
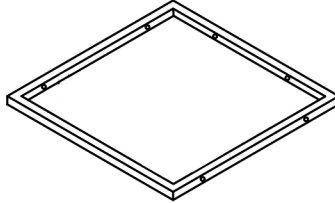
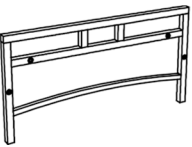
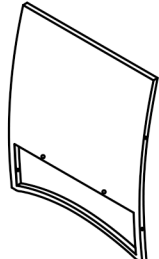
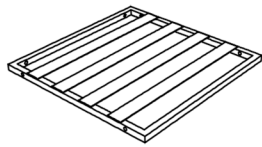
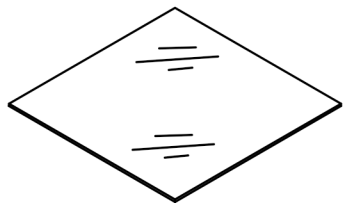
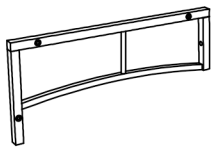
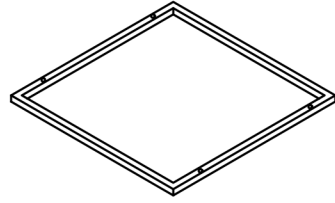
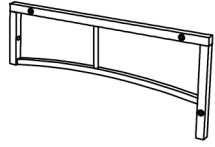
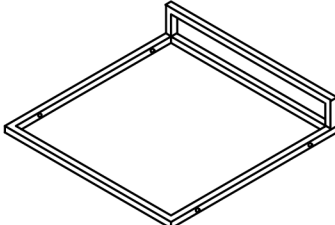


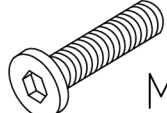


### **TABLE CARE**

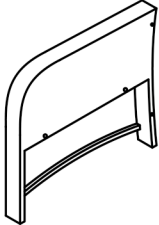
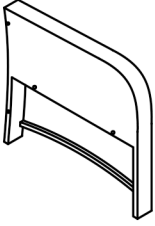
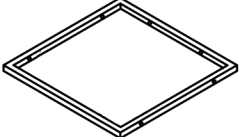
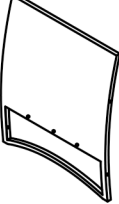


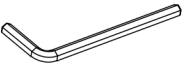
- Please do not sit or stand upon the table.
- Please do not use the table top as a chopping surface.
- Please do not strike the table top with hard or pointed items.
- When cleaning table use a damp cloth or leather with washing up liquid or soft soap if necessary, do not use washing powders or any other substance containing abrasives since these substances scratch table top.



### **CUSTOMER SERVICE**

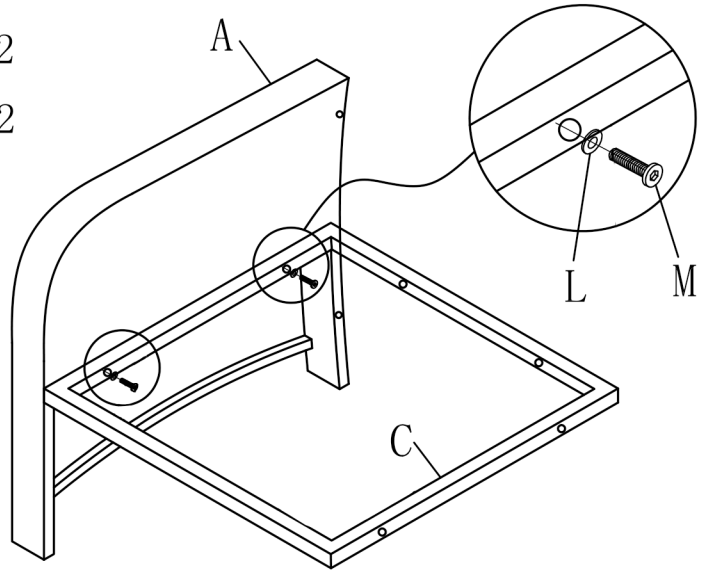
Thank you for shopping in our online store. We care customer's shopping experience. You are always welcome to contact us.



Please sent us with subject including the order ID /tracking number. We will response your question in time. If you are satisfied with the product, please also let us know. We truly appreciate your support.

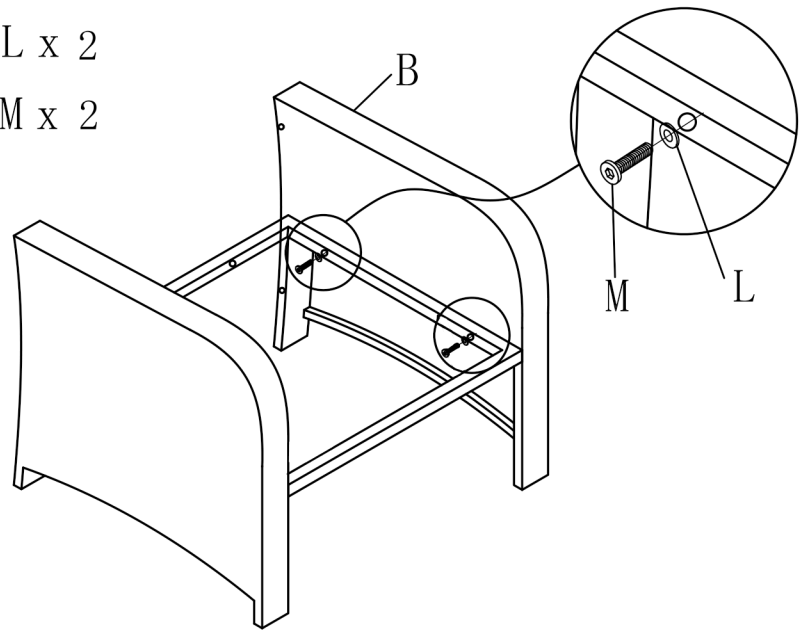
A		2PCS	H		1PC
B		2PCS	I		1PC
C		2PCS	K		2PCS
D		2PCS	J1		2PCS
E		1PC	J2		2PCS
F		1PC	J3		2PCS
G		1PC	J4		2PCS
			O	 M6*15	4PCS
			L	 M6*35	46PCS
			M		50PCS
			N		1PC



A		2PCS
B		2PCS
C		2PCS
D		2PCS
L		20PCS
M		20PCS
N		1PC

- ①  L x 2  
 M x 2

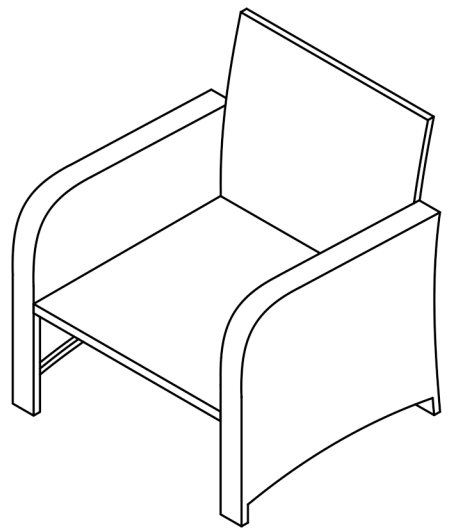
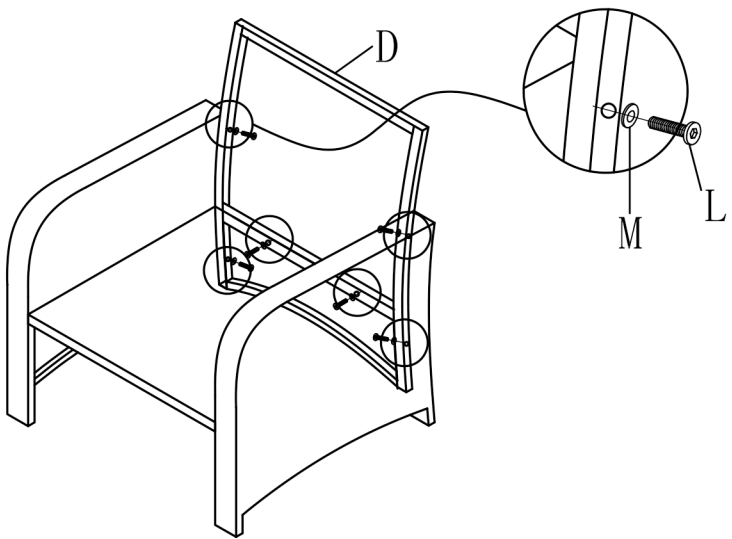


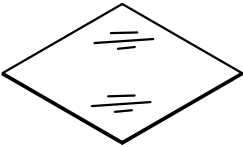
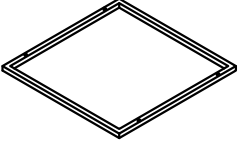
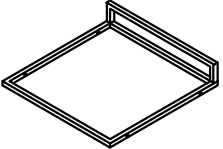
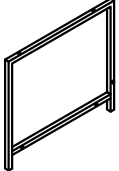
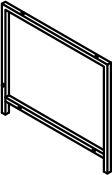



- ②  L x 2  
 M x 2





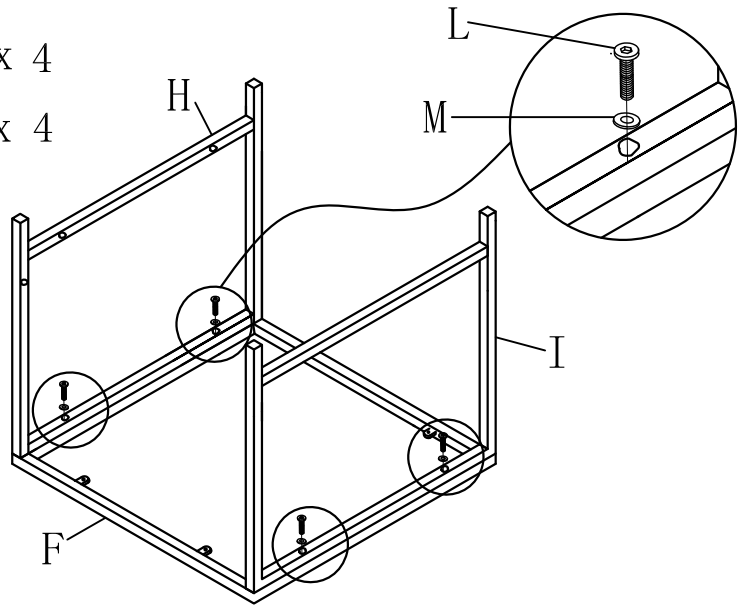
- ③  L x 6  
 M x 6



④

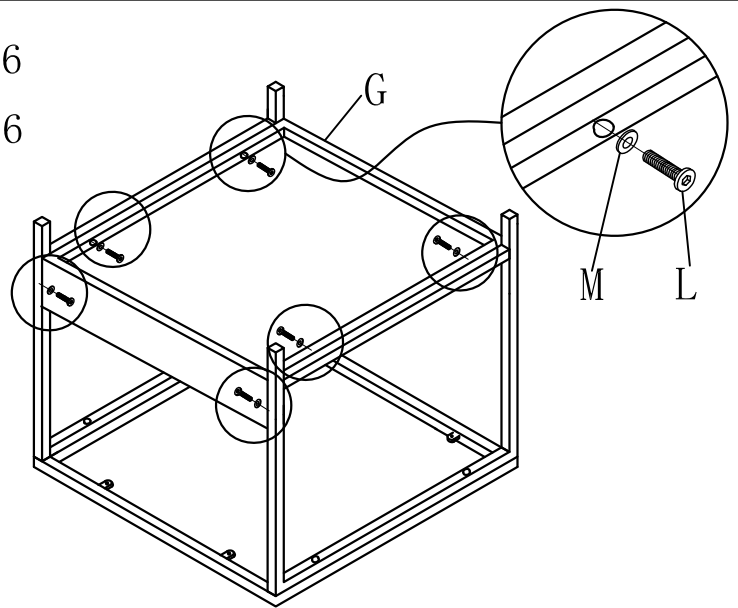


E		1PC
F		1PC
G		1PC
H		1PC
I		1PC
L	 M6*35	10PCS
M		10PCS
N		1PC

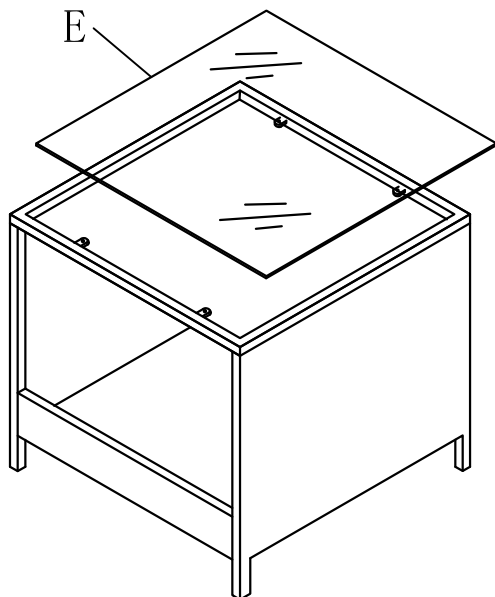
- ①  L x 4  
 M x 4



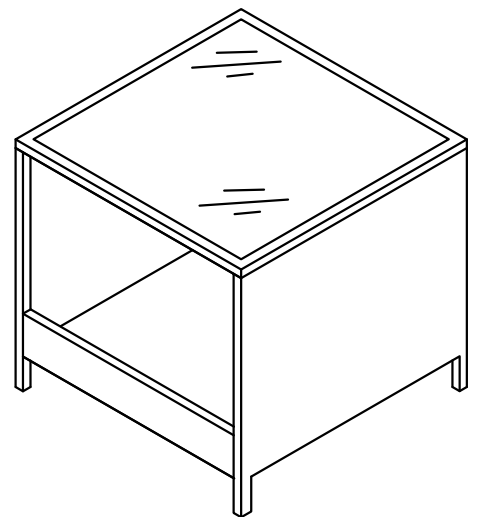
- ②  L x 6  
 M x 6

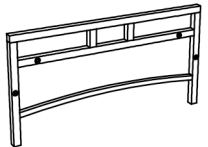
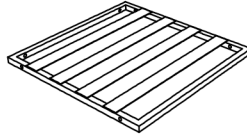
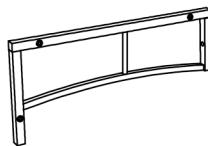
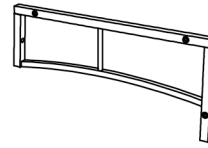









③

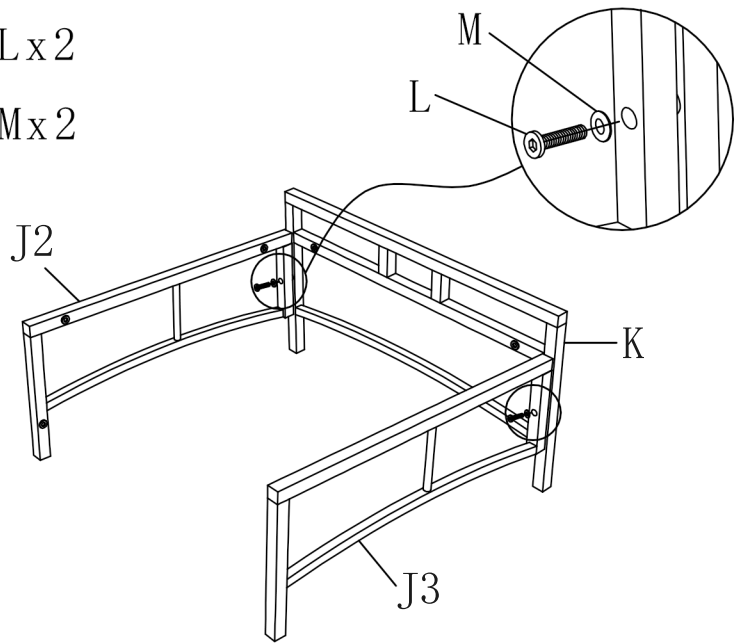




④

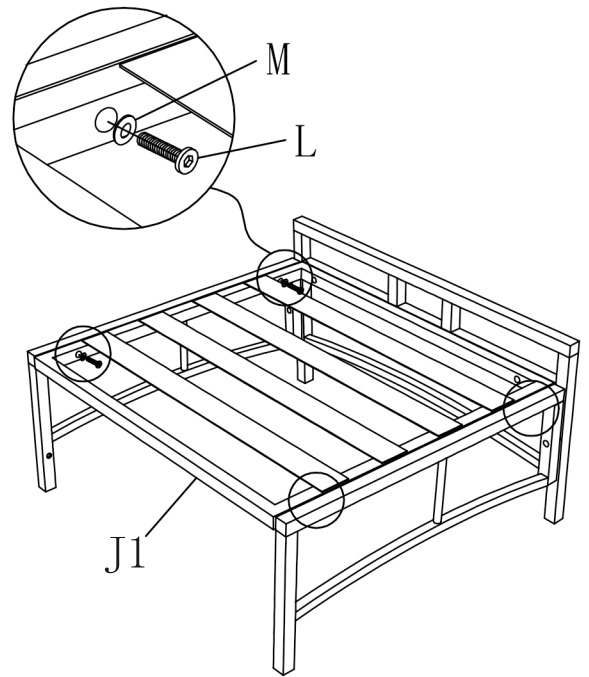





K		2PCS
J1		2PCS
J2		2PCS
J3		2PCS
J4		2PCS
O	 M6*15	4PCS
L	 M6*35	16PCS
M		20PCS
N		1PC

- ①  Lx2  
 Mx2



- ②  Lx4  
 Mx4



- ③  Ox2  
 Lx2  
 Mx4

