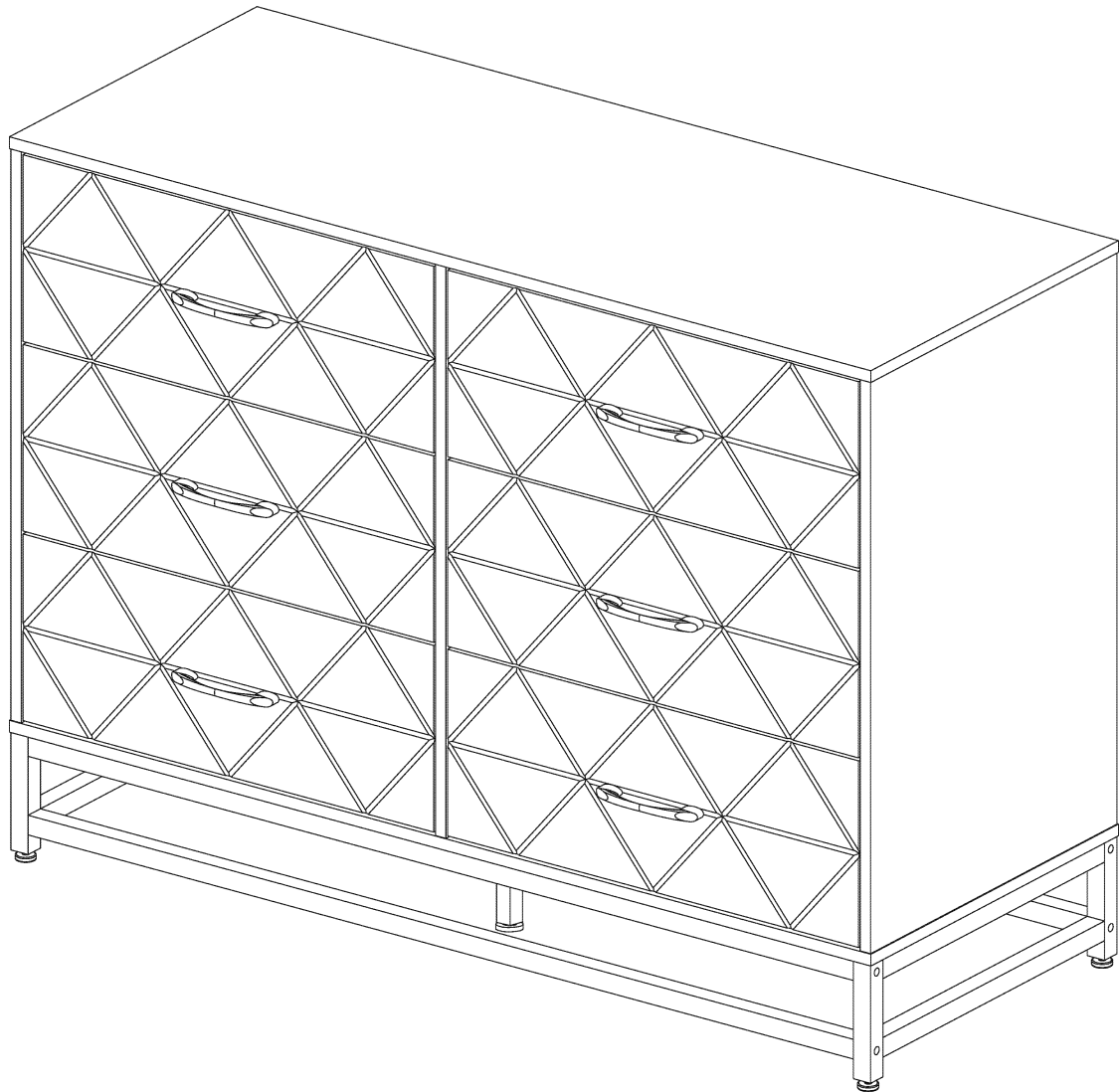


chest

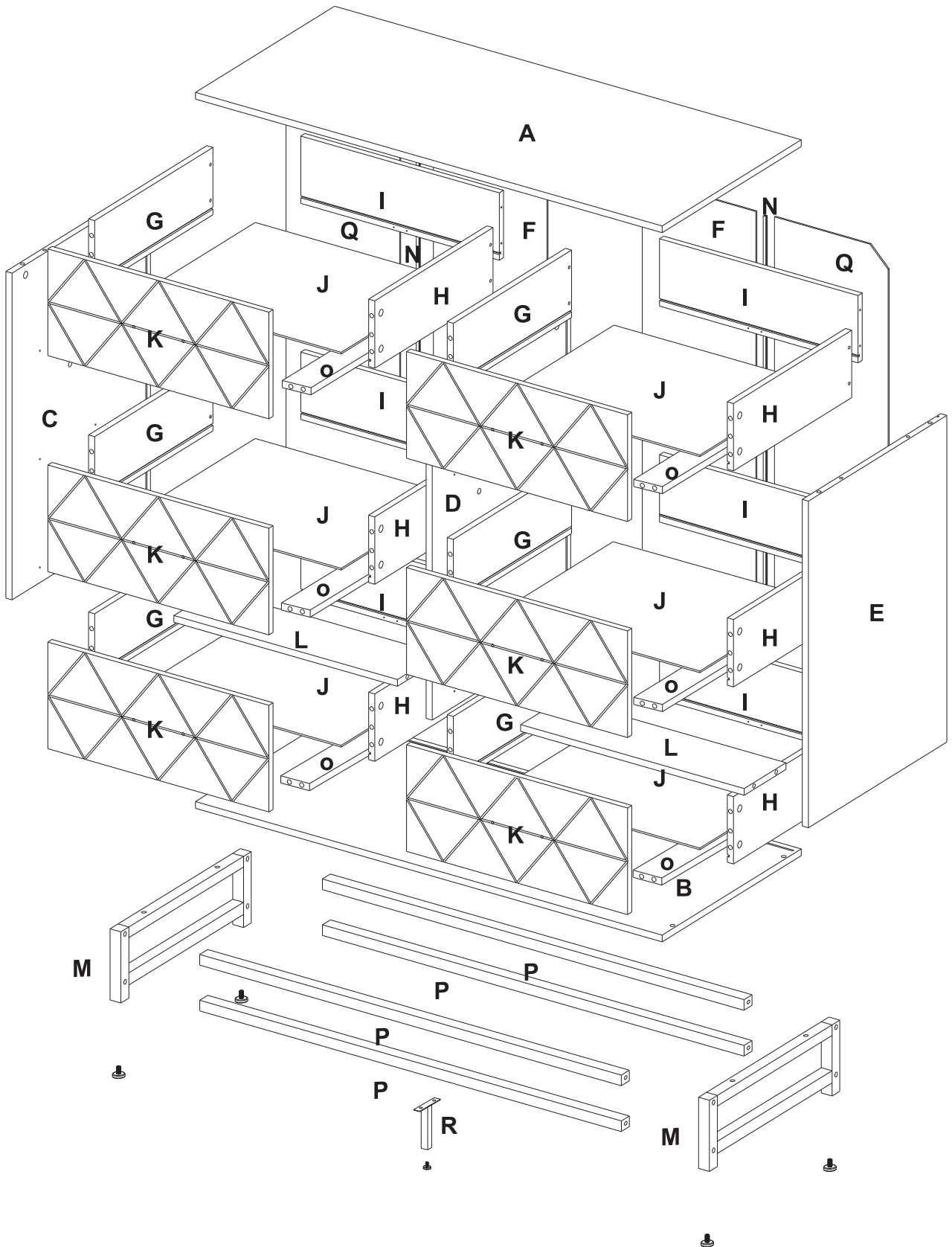


INSTALLATION INSTRUCTION

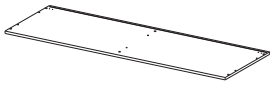


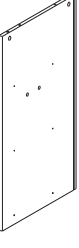


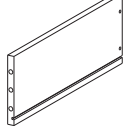
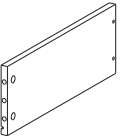
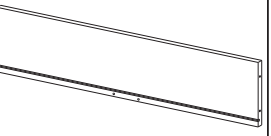

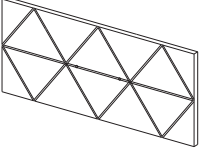
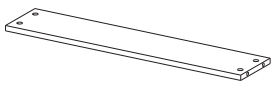
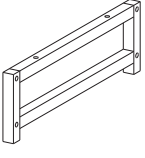

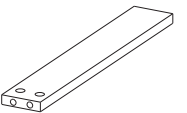





Thank you for purchasing our products. Please contact us if you have difficulty with assembly or need replacement parts. Our customer service is here to assist you. Please attach your User Name and Order ID so that we can assist you better.

BOARD IDENTIFICATION



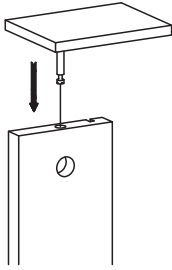
BOARD IDENTIFICATION

				
Ax1	Bx1	Cx1	Dx1	Ex1
				
Fx2	Gx6	Hx6	Ix6	Jx6
				
Kx6	Lx2	Mx2	Nx2	Ox6
				
Px4	Qx2	Rx1		

BOARD IDENTIFICATION

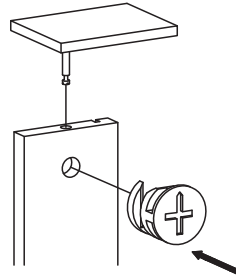
Installation of Eccentric Wheel Nut Set

1



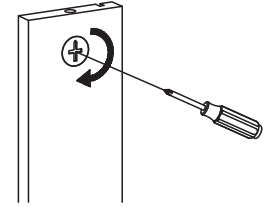
Screw the end of cambolt on the board, find the corresponding board and insert the other end.

2

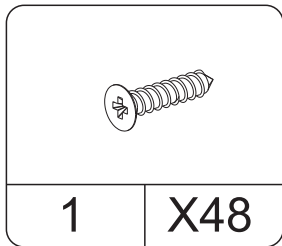


Stuff the camlock into the round hole. The arrowpoints to the cambolt.

3

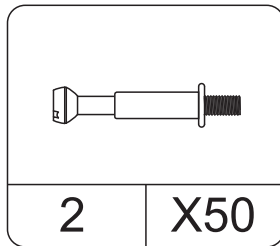


Turn clockwise about 180° to lock the plate.



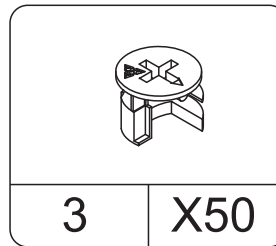
1 X48

Screws
M4X10



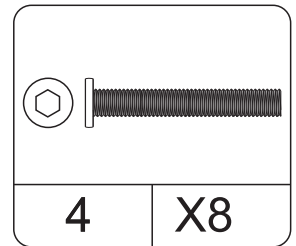
2 X50

Cam bolt
Ø6X18



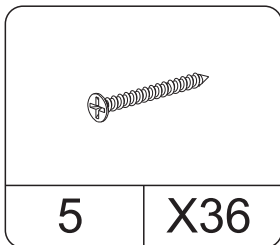
3 X50

Cam lock
Ø 12X10



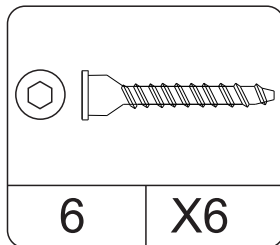
4 X8

Screws
M6x35



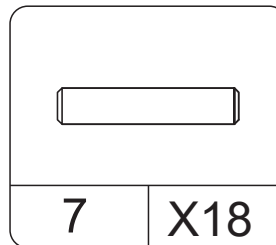
5 X36

Screws
M4x30



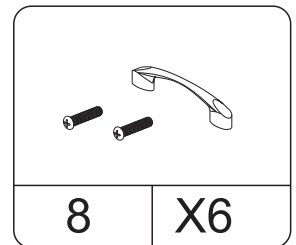
6 X6

Screws
M6.3x40

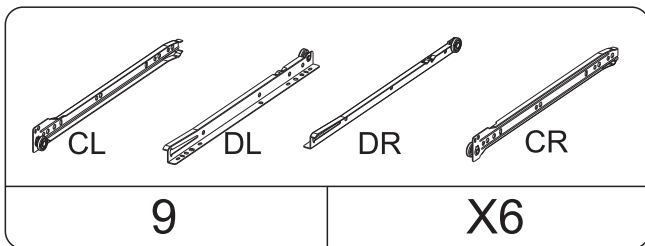


7 X18

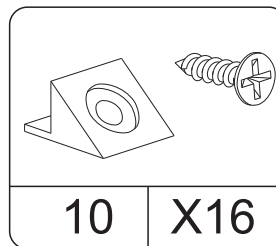
Wood dowel
Ø6X30



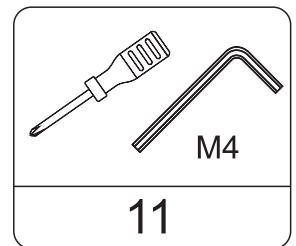
8 X6



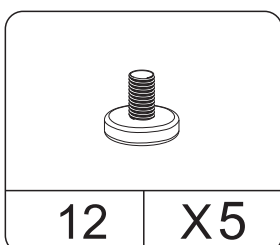
9 X6



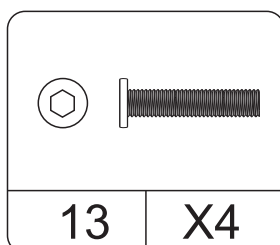
10 X16



11 M4

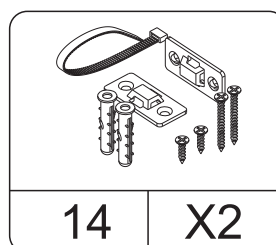


12 X5



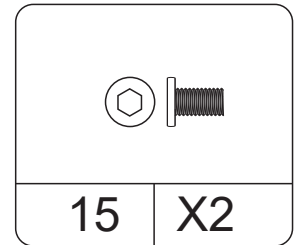
13 X4

Screws
M6x28



14 X2

Anti-inverted parts

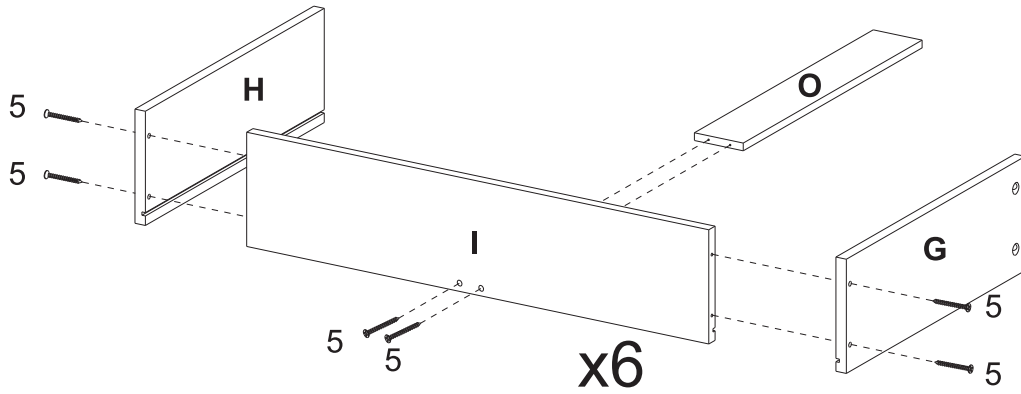
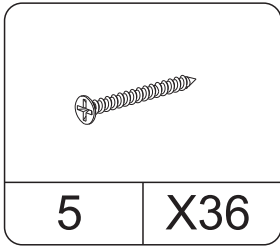


15 X2

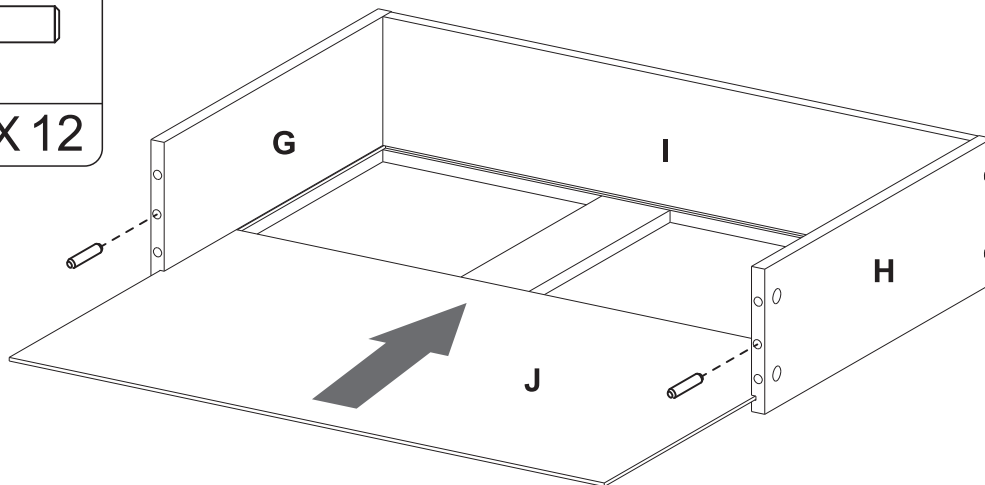
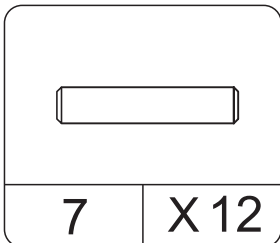
Screws
M6x10

INSTALLATION STEPS

STEP1:

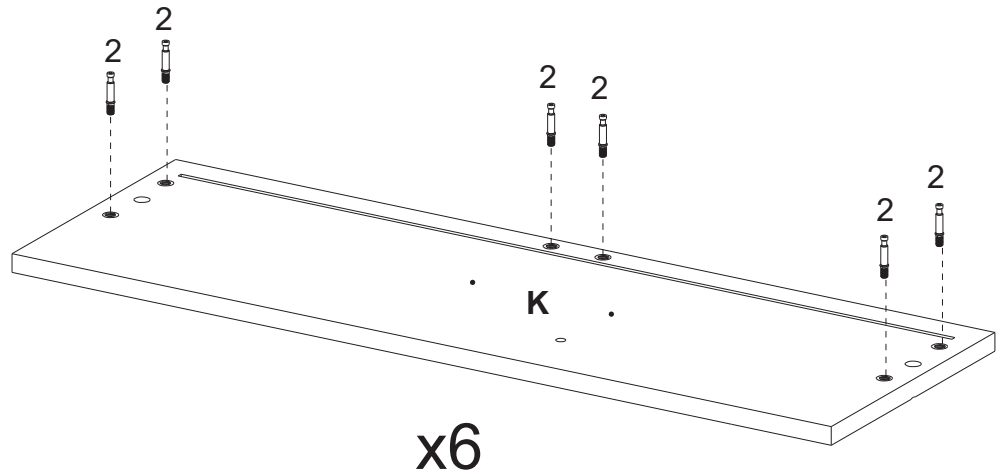
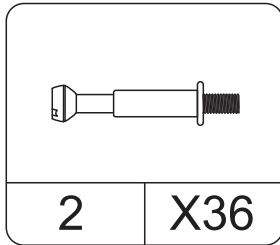


STEP2:

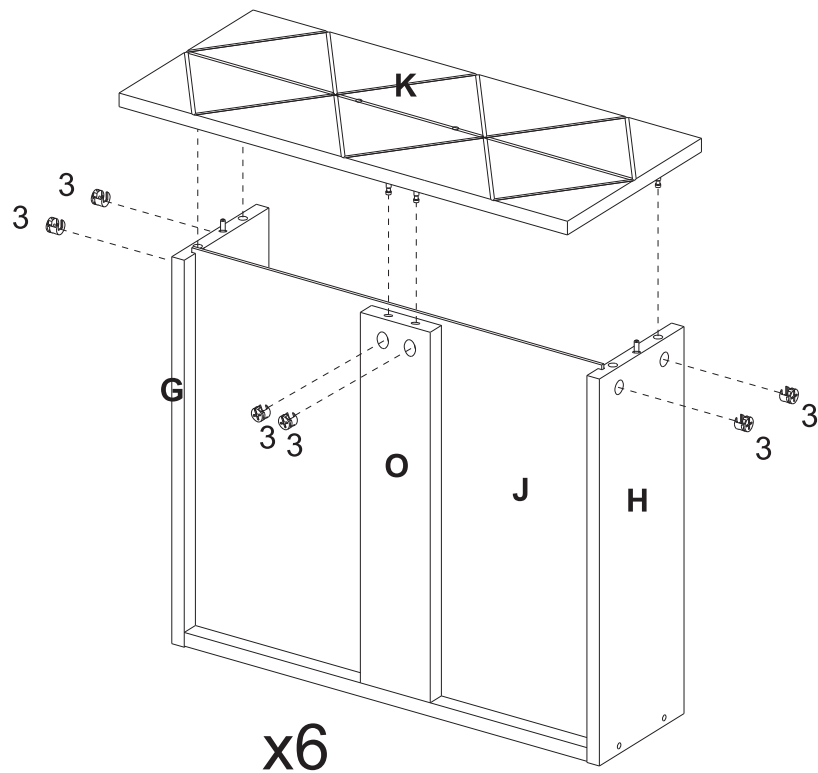
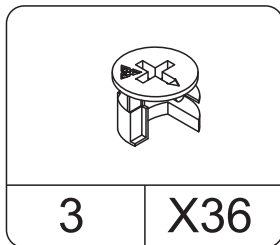


INSTALLATION STEPS

STEP3:

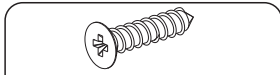


STEP4:

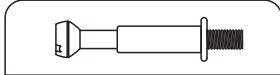


INSTALLATION STEPS

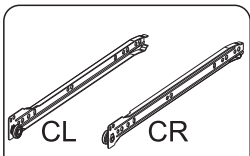
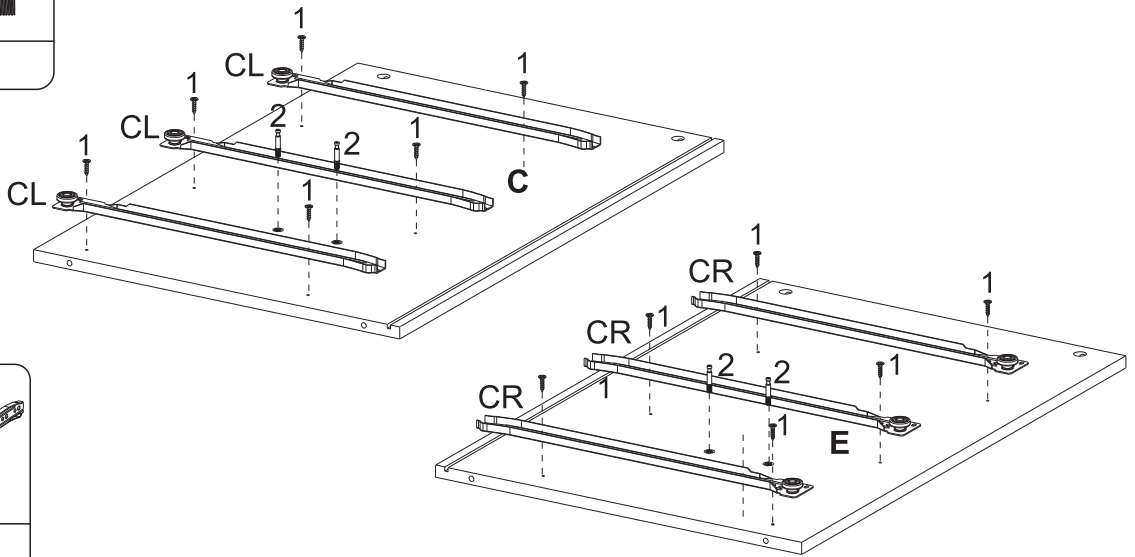
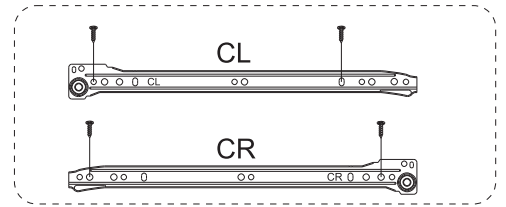
STEP7:



1 X12

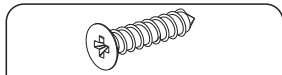


2 X4

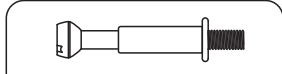


9 X3

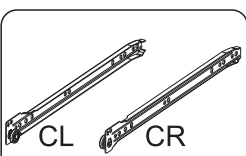
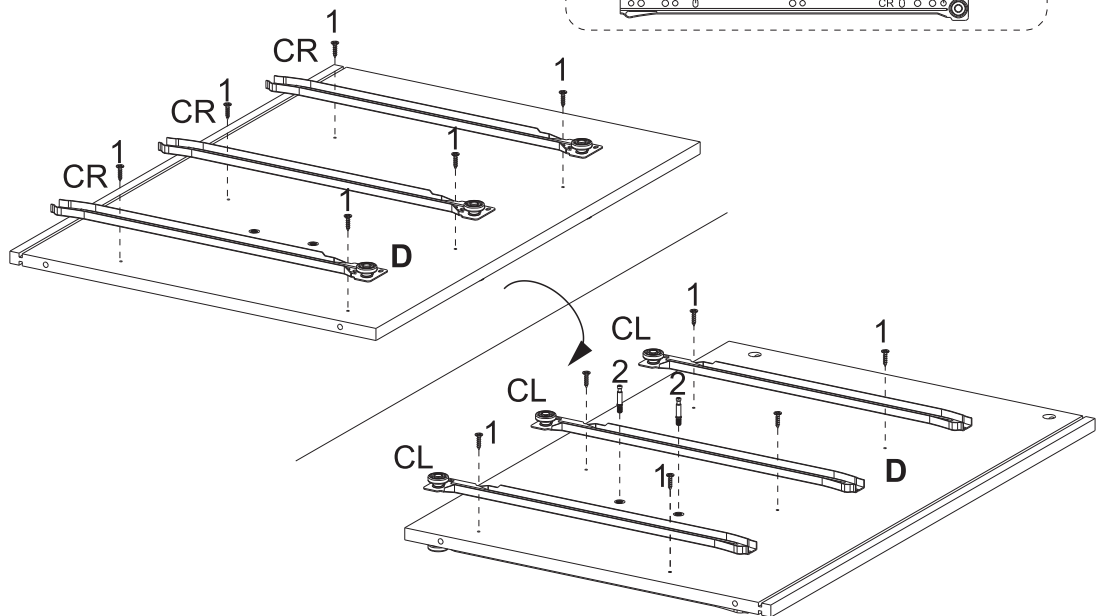
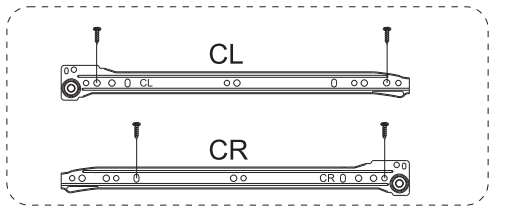
STEP8:



1 X12



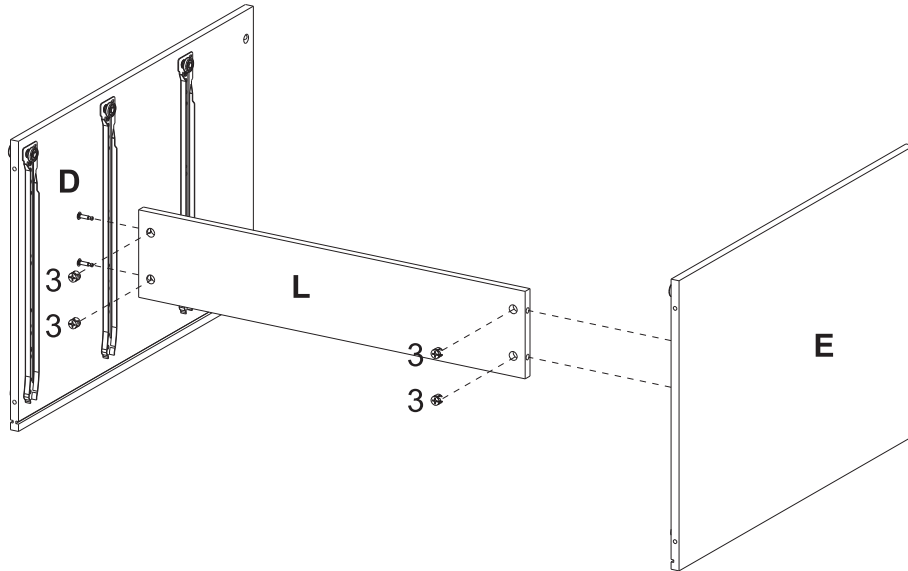
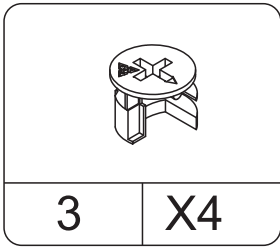
2 X2



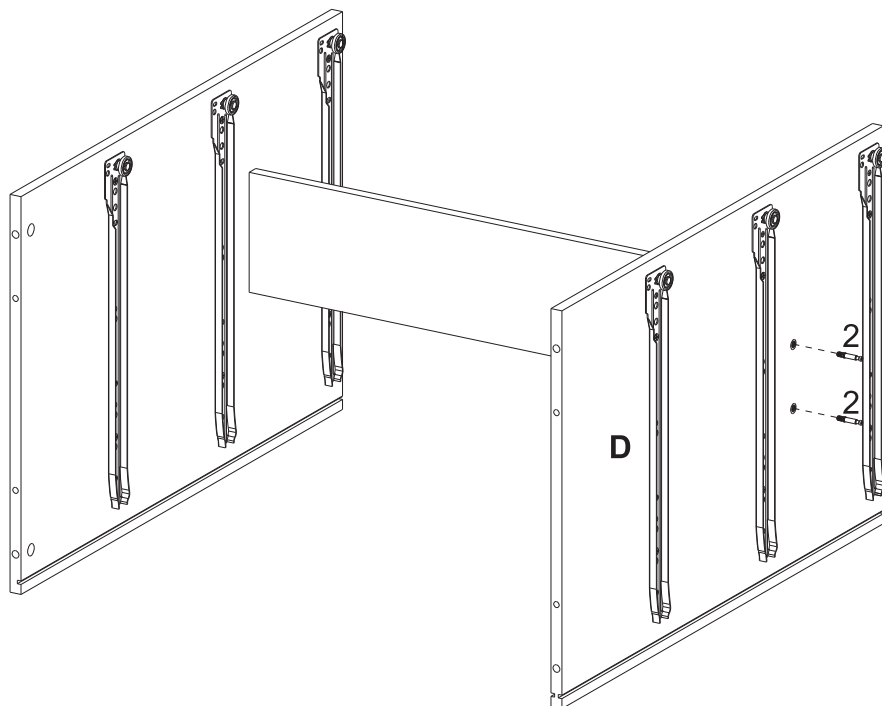
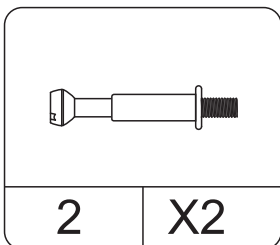
9 X3

INSTALLATION STEPS

STEP9:

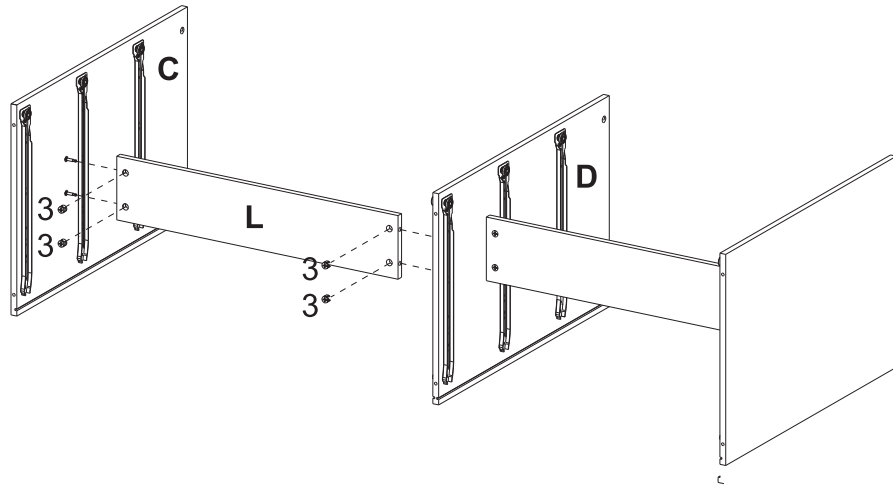
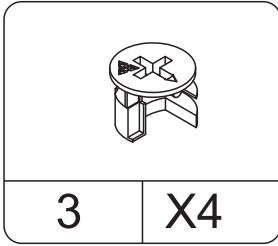


STEP10:

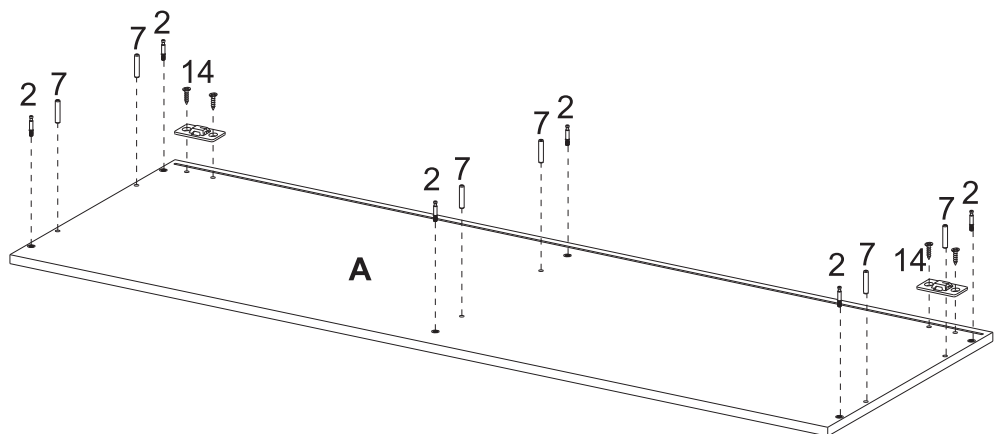
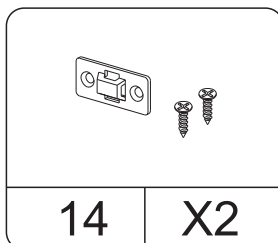
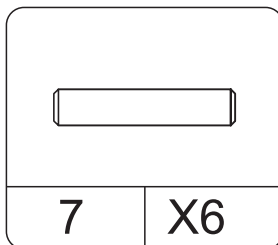
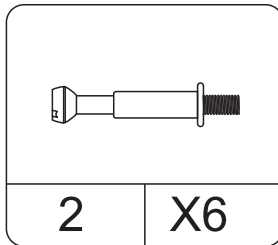


INSTALLATION STEPS

STEP11:

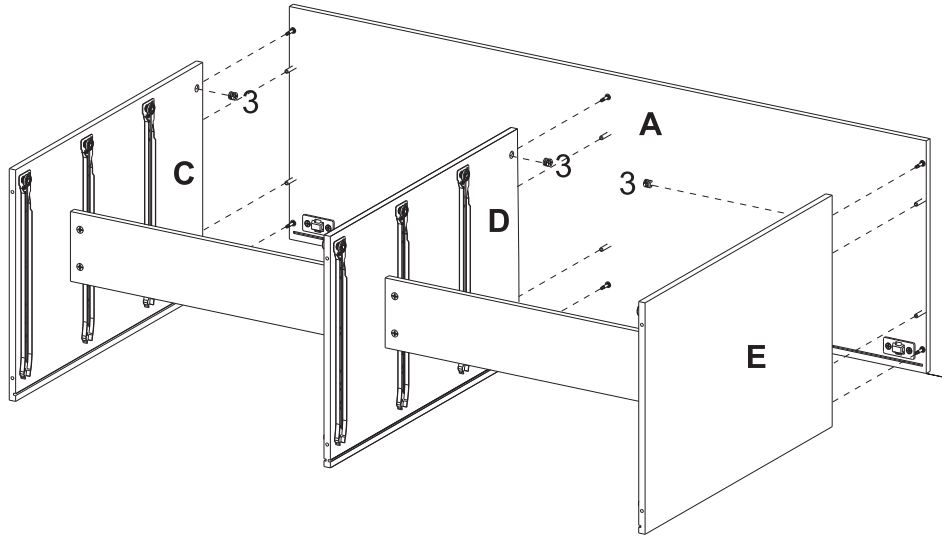
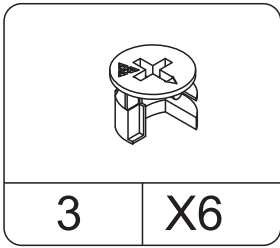


STEP12:

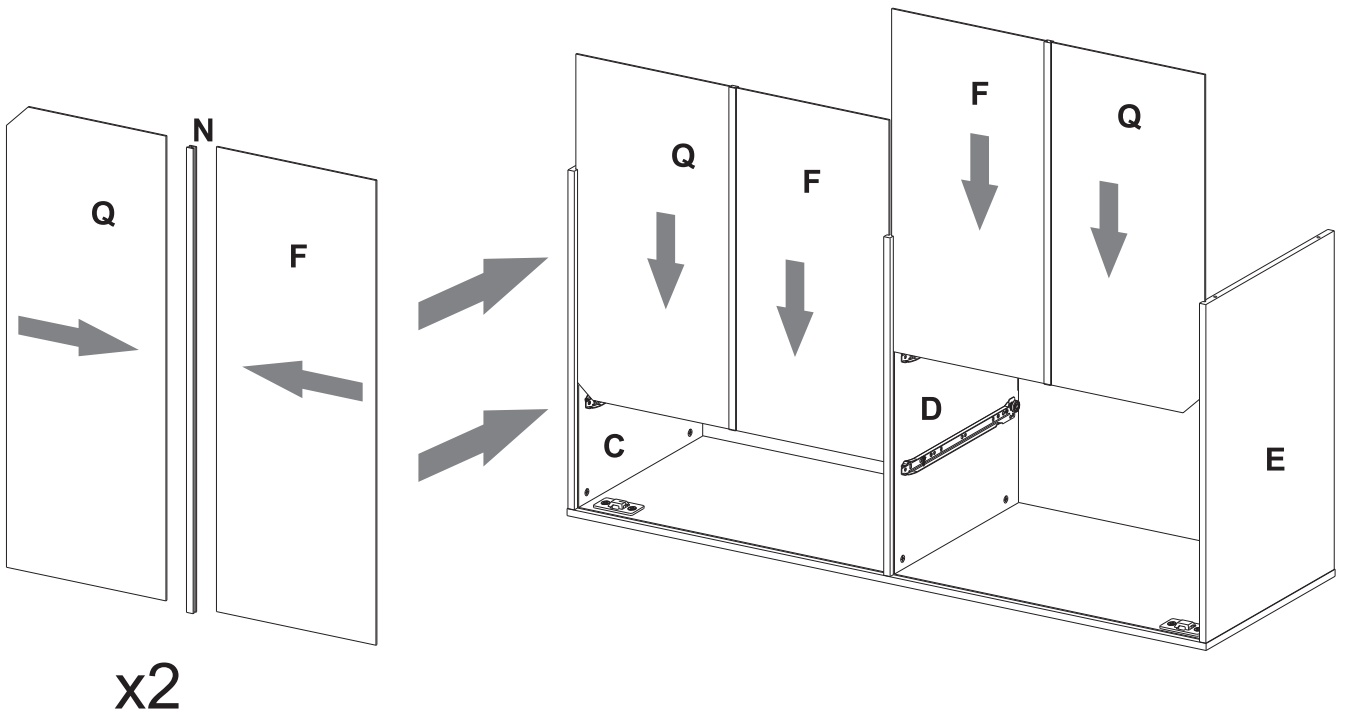


INSTALLATION STEPS

STEP13:

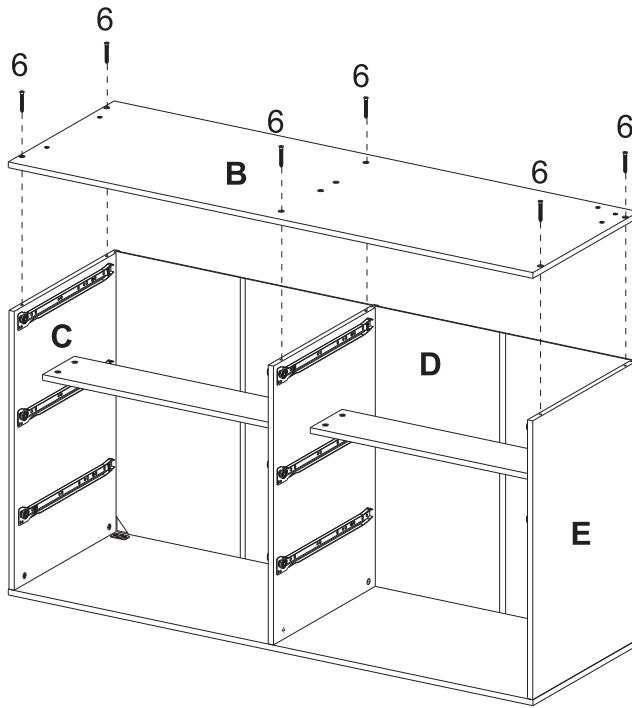
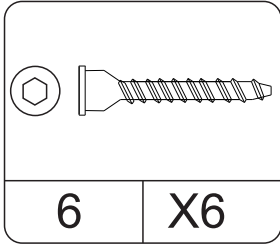


STEP14:

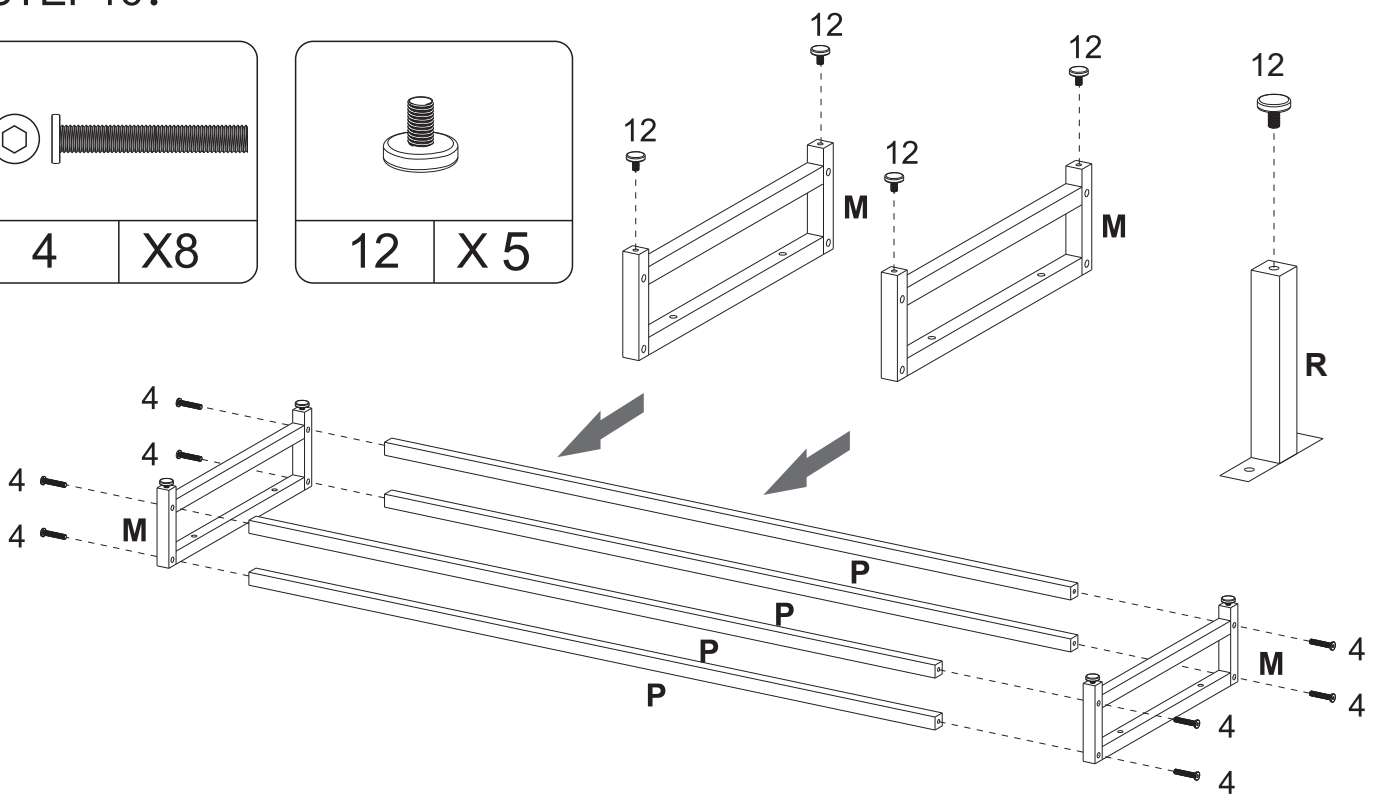
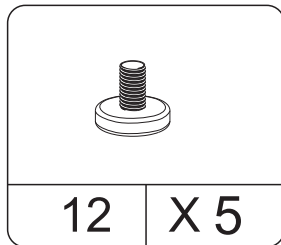
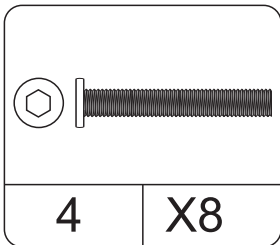


INSTALLATION STEPS

STEP15:

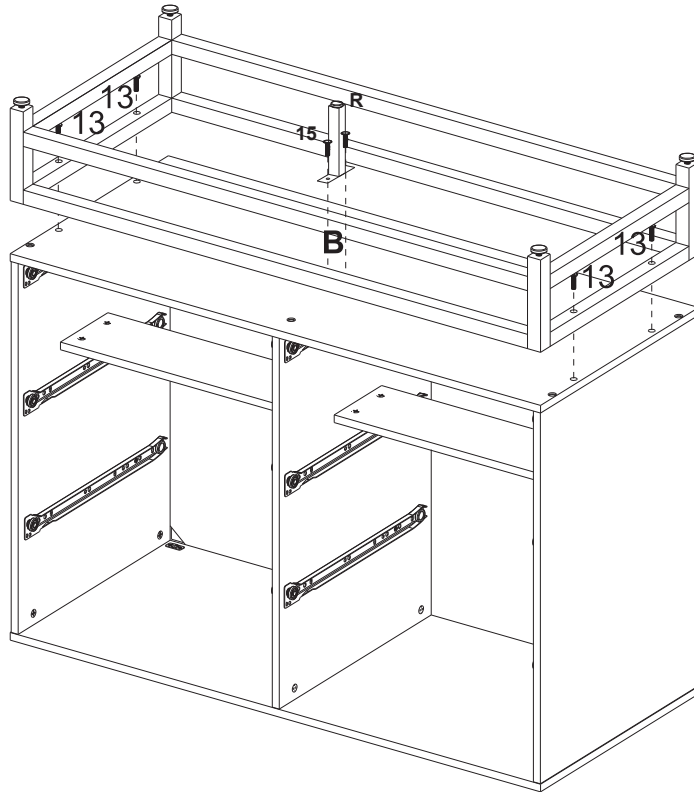
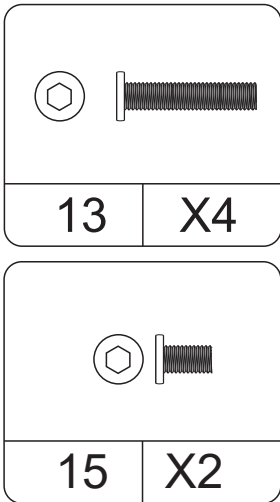


STEP16:

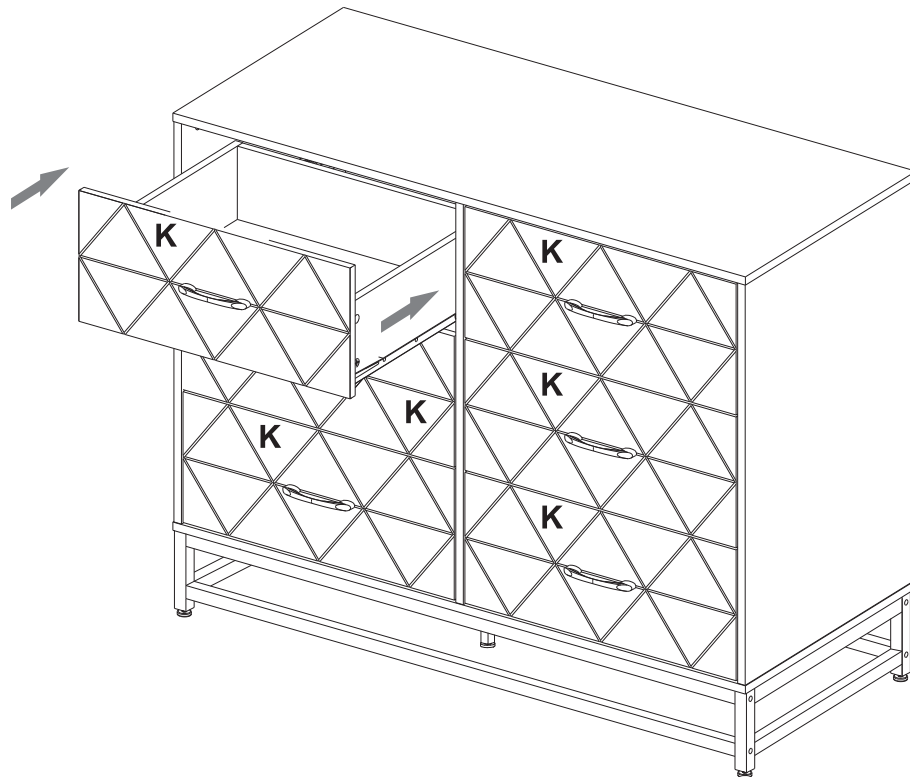


INSTALLATION STEPS

STEP17:

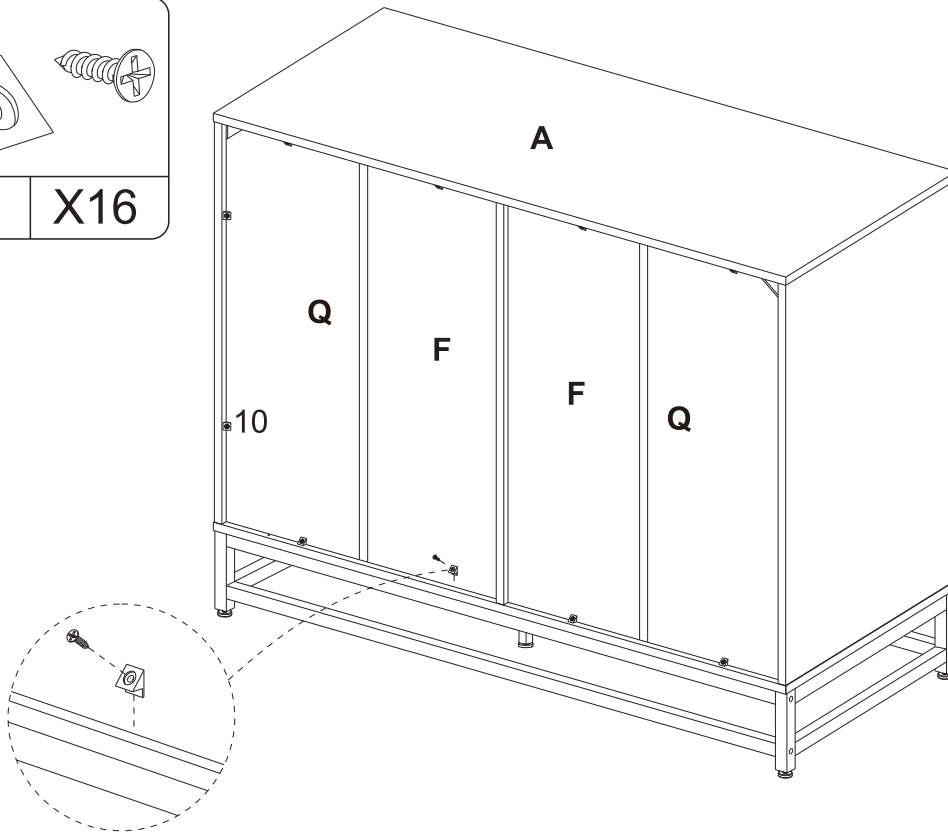
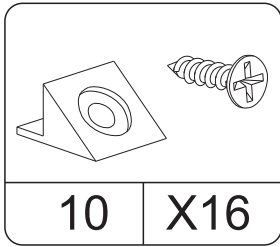


STEP18:

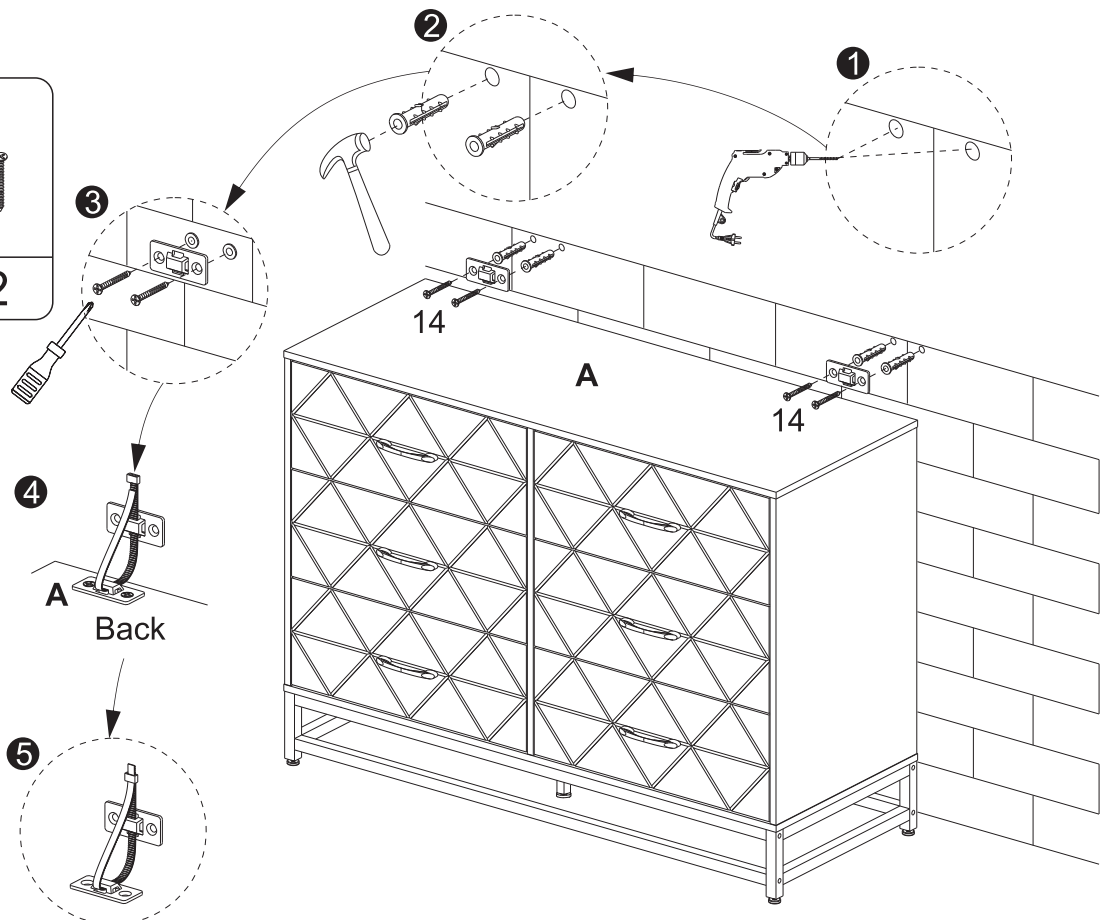
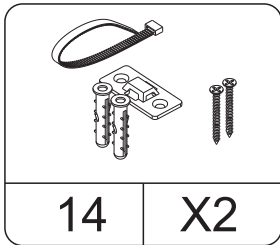


INSTALLATION STEPS

STEP19:

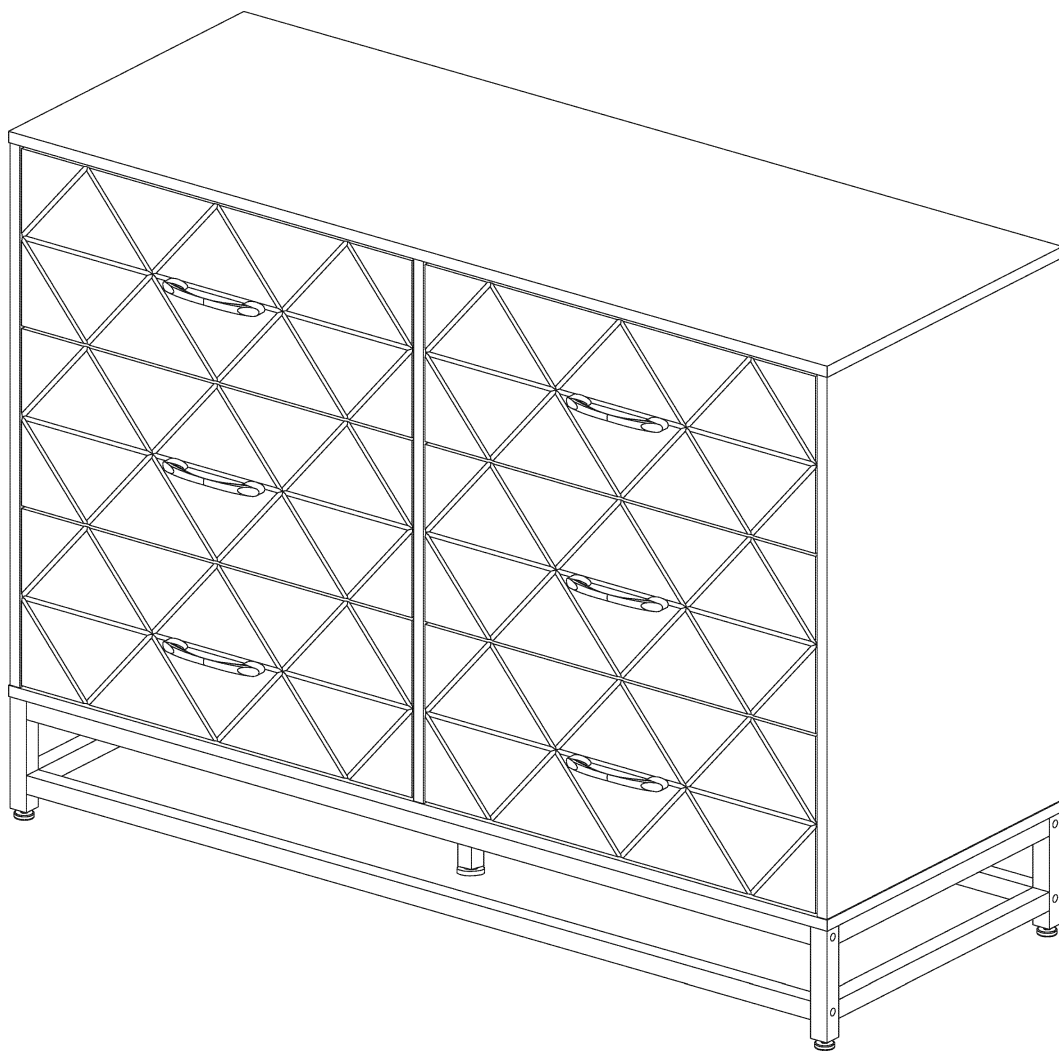


STEP20:



INSTALLATION STEPS

STEP21:



Thank you for purchasing our products. Please contact us if you have difficulty with assembly or need replacement parts. Our customer service is here to assist you. Please attach your User Name and Order ID so that we can assist you better.