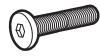




5mm(1pc)



W1-10x40mm(8pcs)



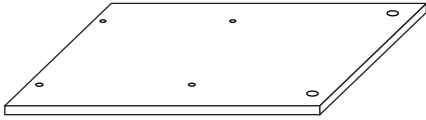
W14(16pcs+1)



W2-85mm(1pc)



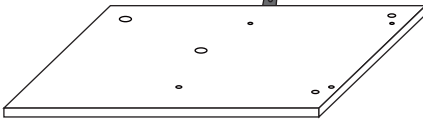
W13(16pcs+1)



A-520x440x15mm (1pc)



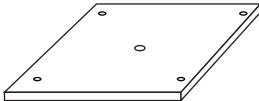
I-340x340x15mm (1pc)



B-520x440x15mm (1pc)



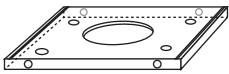
J-2pcs



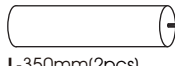
C-340x340x15mm (2pcs)



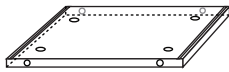
K-250mm(2pcs)



D-338x284x15mm (1pc)



L-350mm(2pcs)



E-338x284x15mm (3pcs)



M-215mm(1pc)



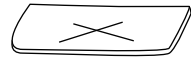
F-340x340x15mm (2pcs)



N-515mm(1pc)



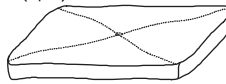
G-316x284x5mm (3pcs)
One for back up / replacement



S(1pc)



H-316x284x5mm (2pcs)



O-2pcs



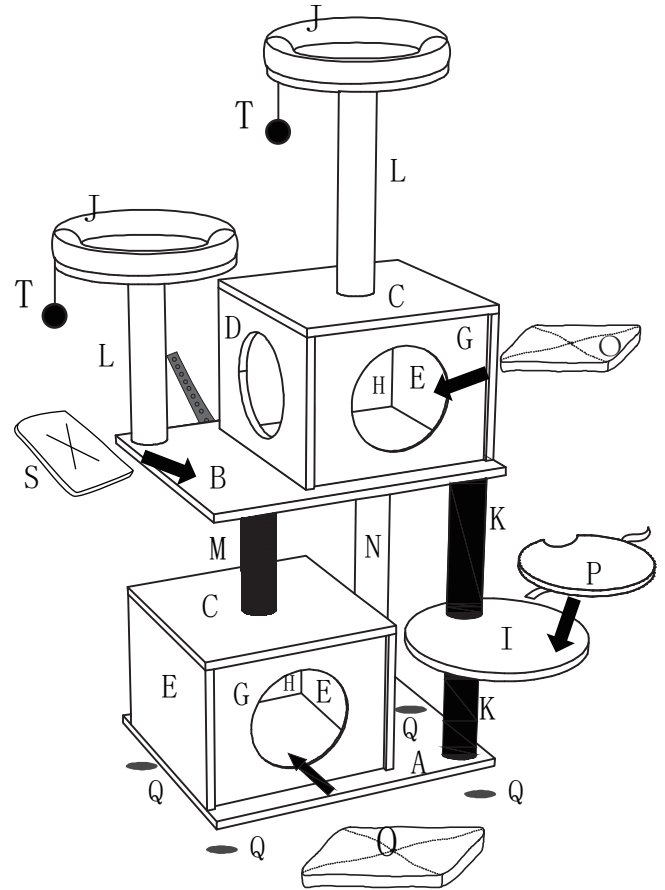
P-1pc



Q-38mm(4pcs)
Non-slip bottom



R-25mm(23pcs) screw sticker
4pcs for back up / replacement



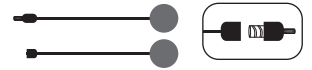
N1-1pc



N2-1pc



N3-1pc



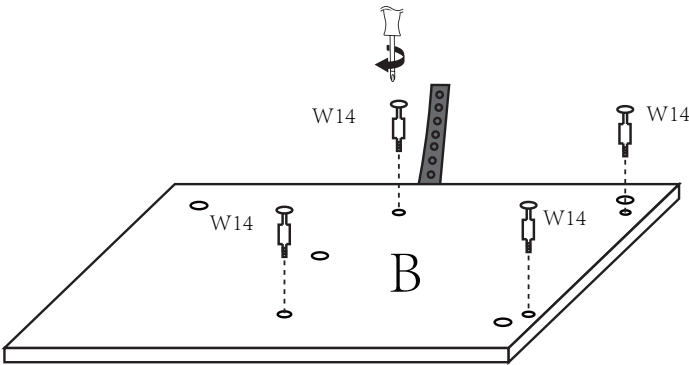
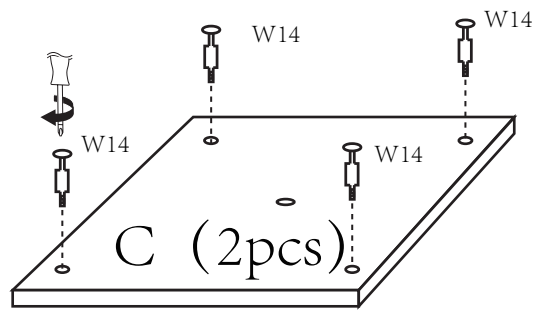
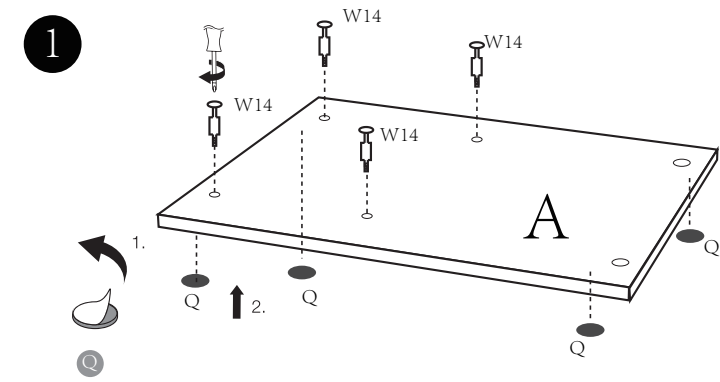
Replaceable Dangle Toy

T-2pcs+1

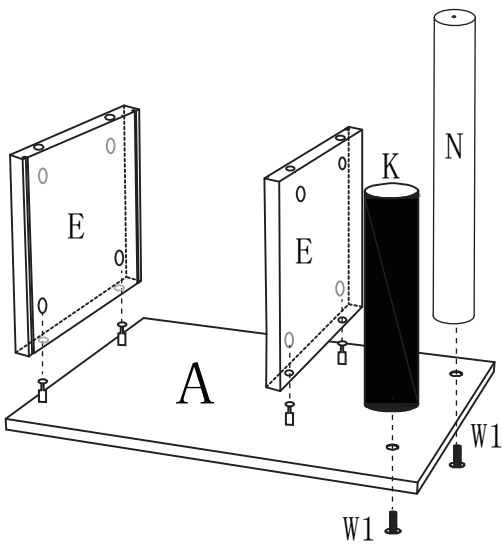
You will need



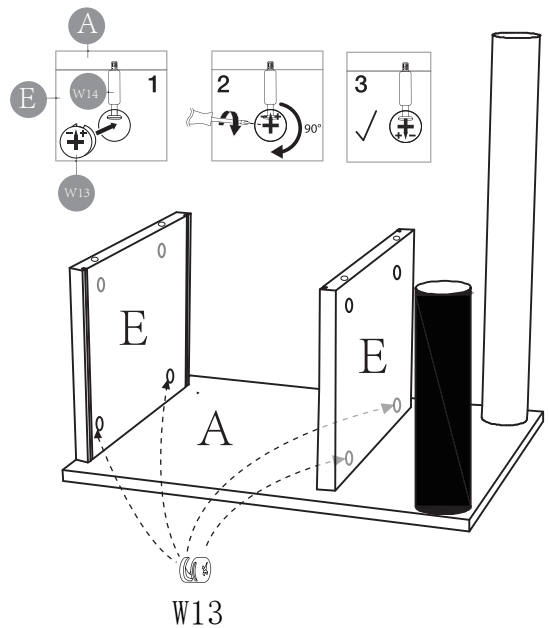
1



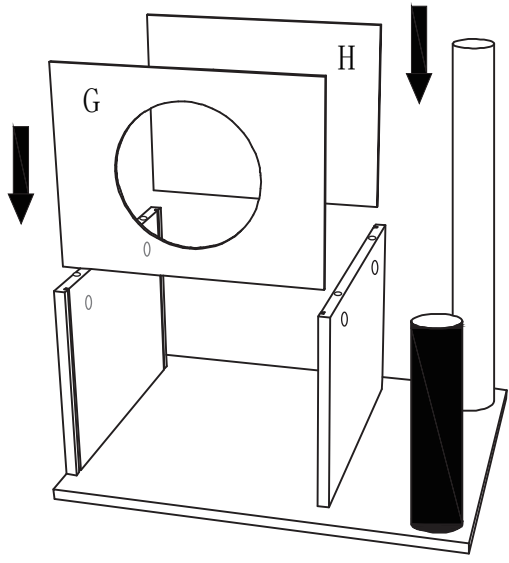
2



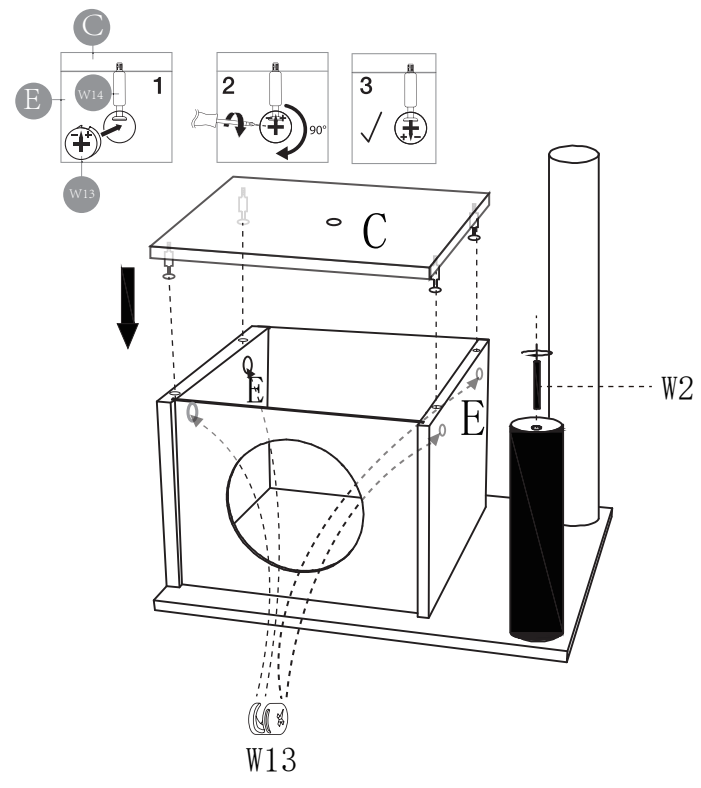
3



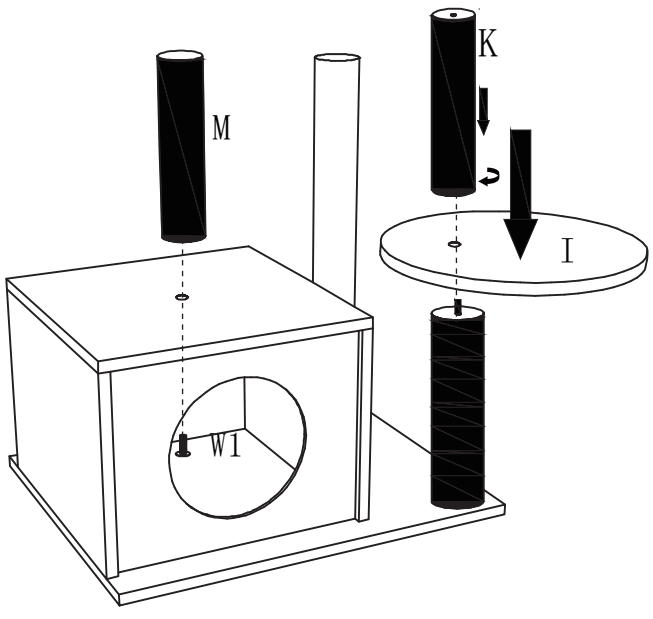
4



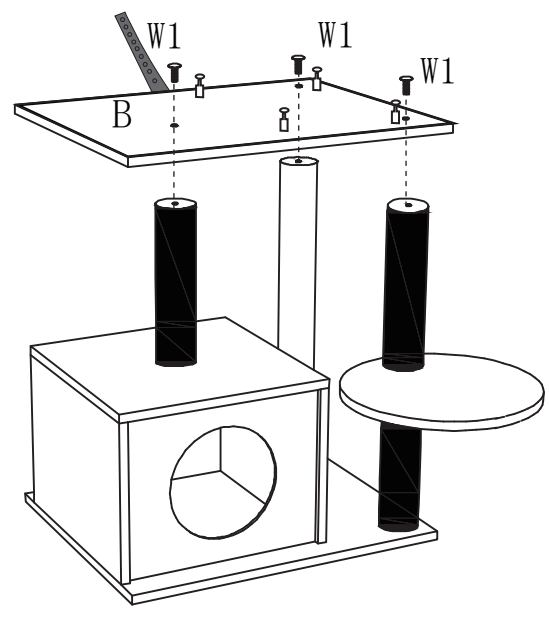
5



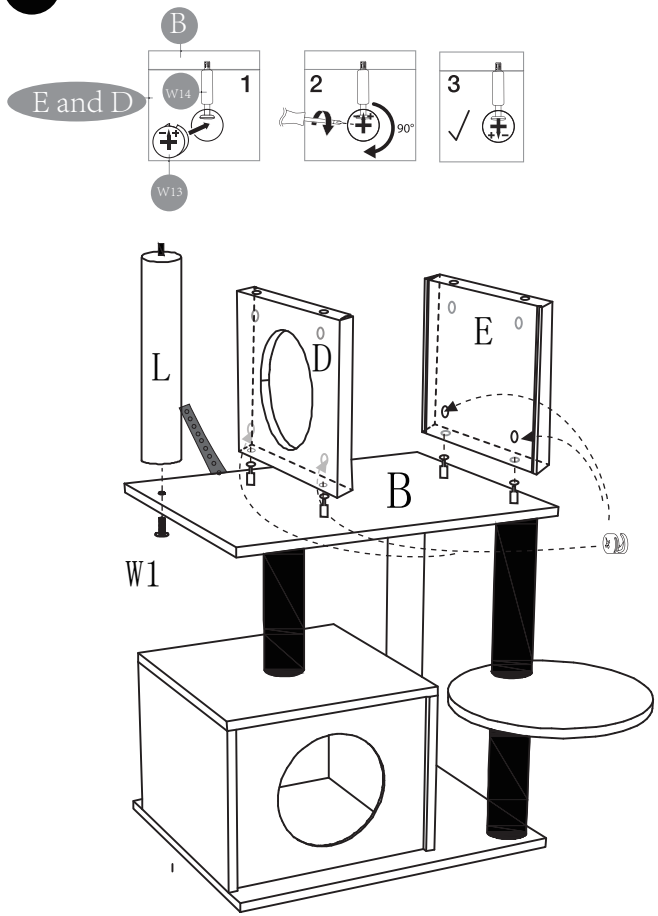
6



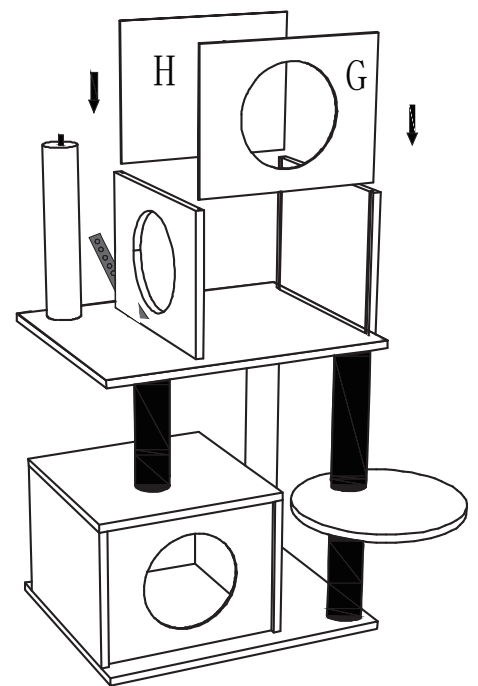
7



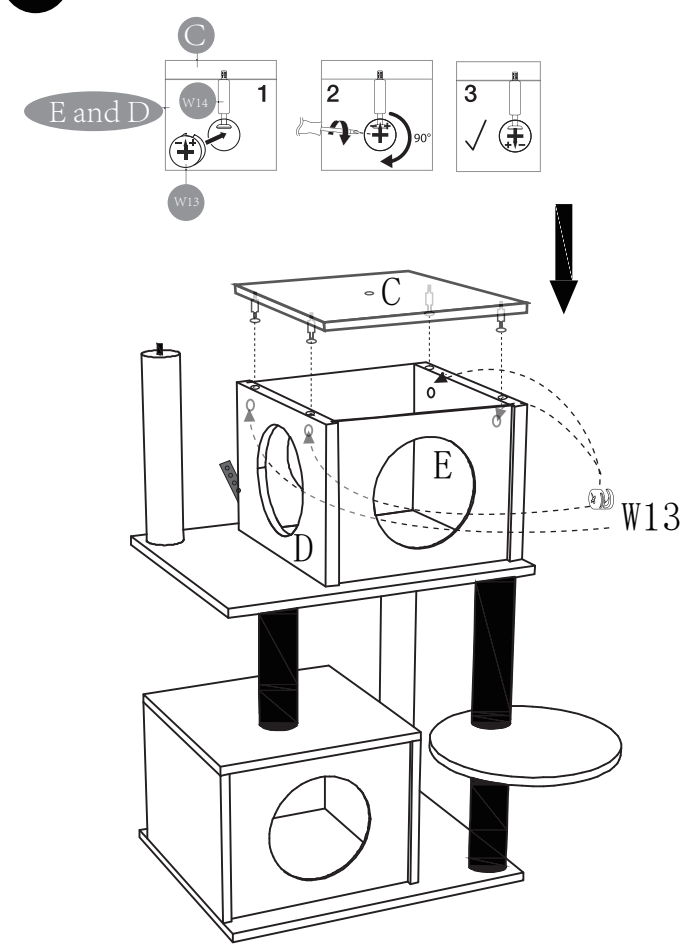
8



9



10



11

