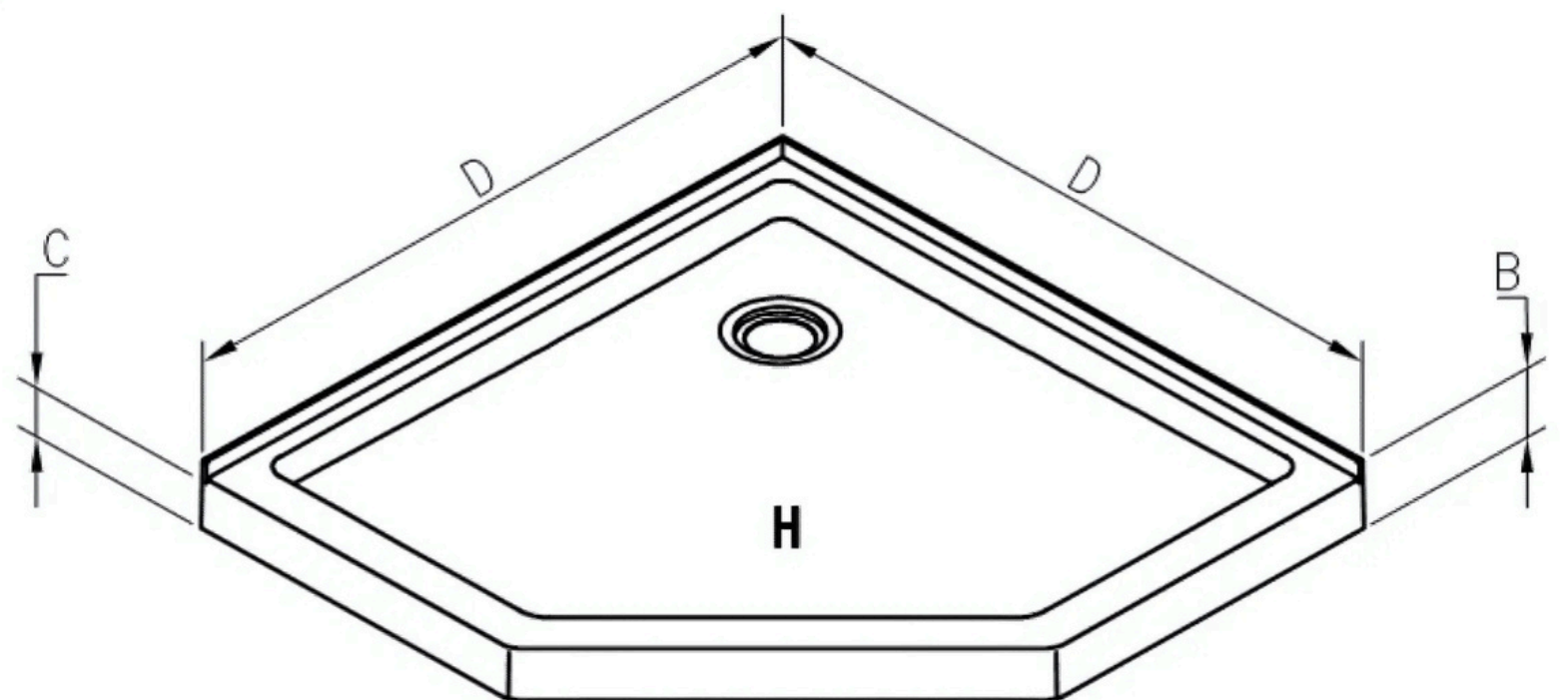
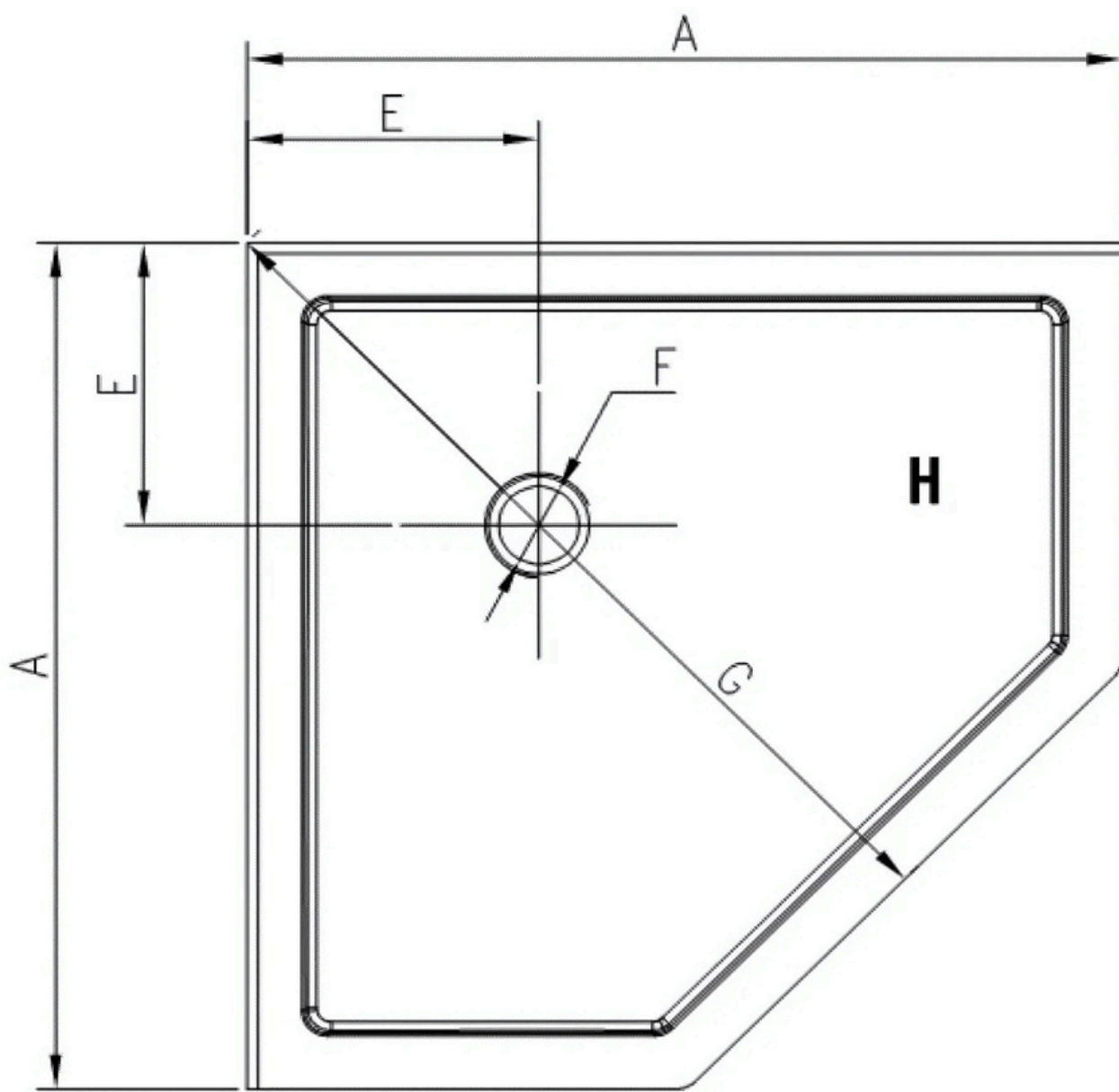


Capri Shower Kit Measurements

#	Measurements - base	36" Neo-Angle	38" Neo-Angle
A	Flange width	36"	38"
B	Shower base height (With flange)	3-1/2"	4"
C	Threshold height (Without flange)	2-1/2"	3"
D	Overall shower base width	36"	38"
E	Drain distance from the corner	12"	12"
F	Drain opening diameter	3-3/8"	3-3/8"
G	Base edge length (maximum)	38-1/4"	41"
H	Finished surface area	7.88 sq. ft	8.88 sq. ft



Copyright © 2005 - 2025 Dreamwerks. All rights reserved.

For more information, contact Dreamwerks at +1-888-266-7976 or support@dreamwerks.com. Visit dreamwerks.com for full product details.

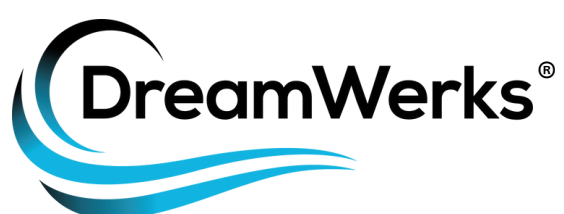
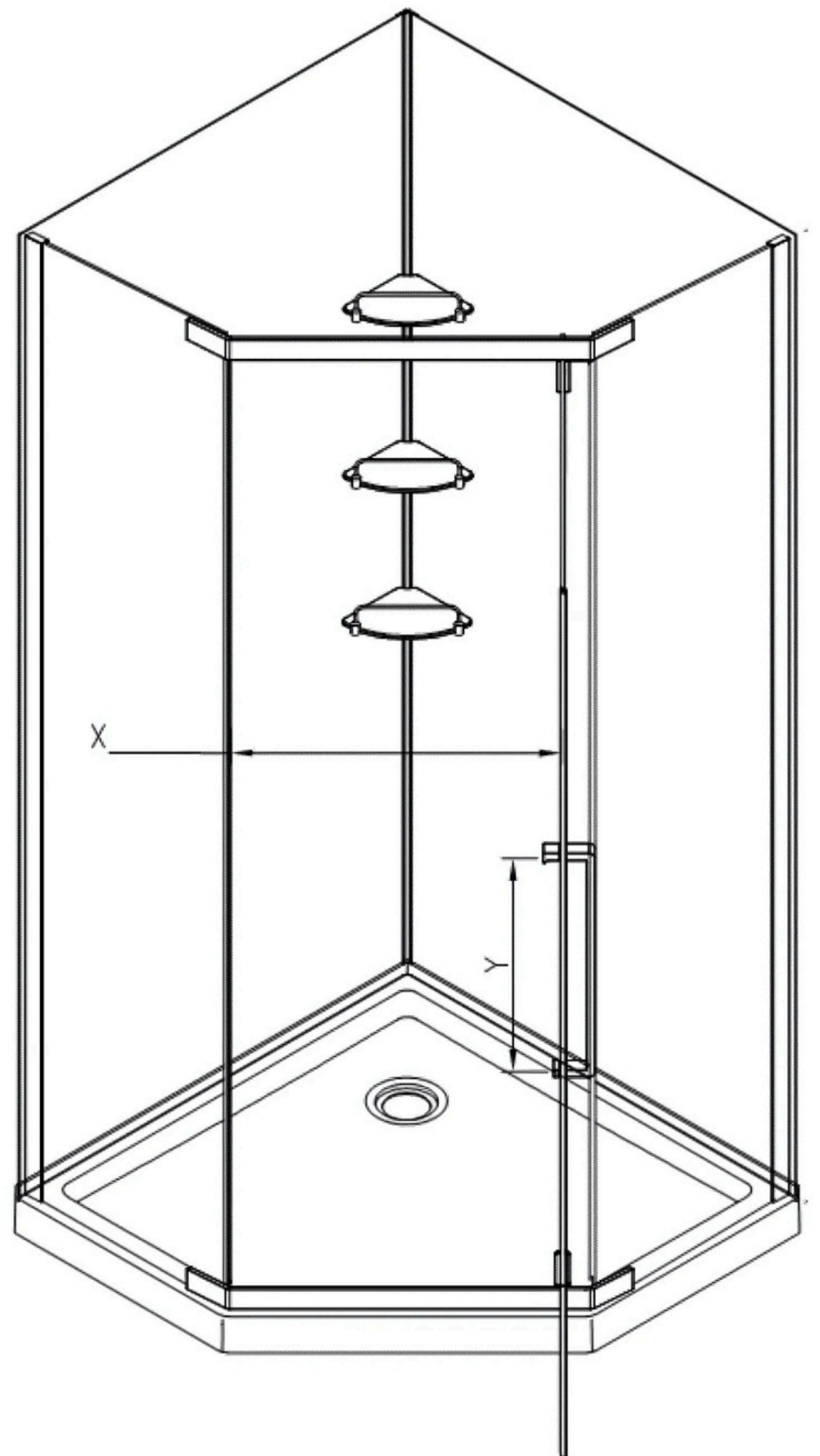
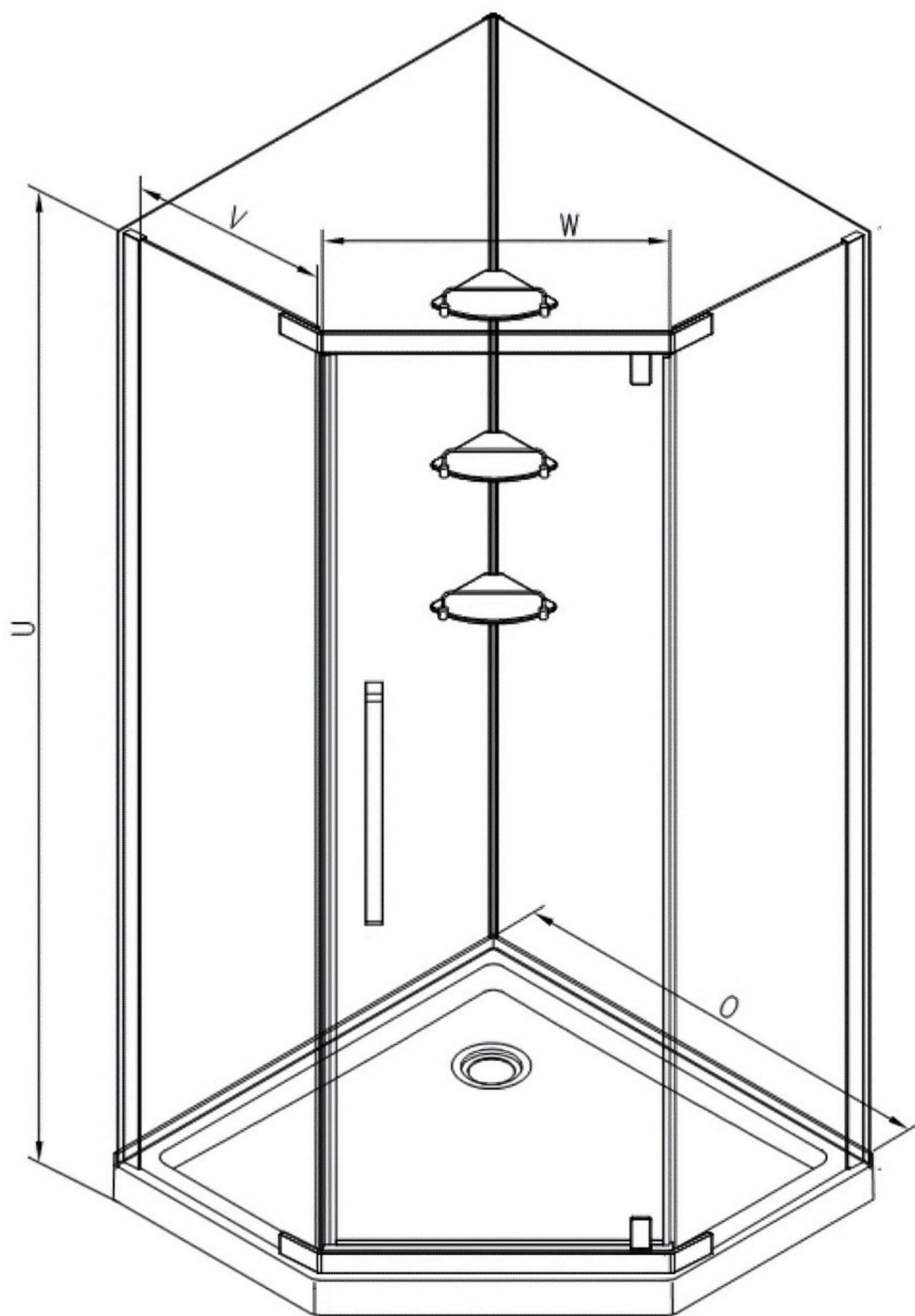
All product specifications and measurements are approximate. Actual products may vary slightly. Specifications are subject to change without notice.

Please refer to the product manual or website for the latest updates.

Capri Shower Kit Measurements

#DK1136CB-MB
 #DK1136-CC
 #DK1100-BB
 #DK1100-BC

#	Measurements - unit	36" Neo-Angle	38" Neo-Angle
O	Shower width (wall track to wall track inside the shower)	34-3/4"	36-1/2"
U	Shower height	76"	76"
V	Fixed panel width	16-1/8"	18-1/2"
W	Door panel width	23-7/8"	23-7/8"
X	Door opening	22"	22"
Y	Distance between handle holes	17-3/4"	17-3/4"



Copyright © 2005 - 2024 Dreamwerks. All rights reserved.

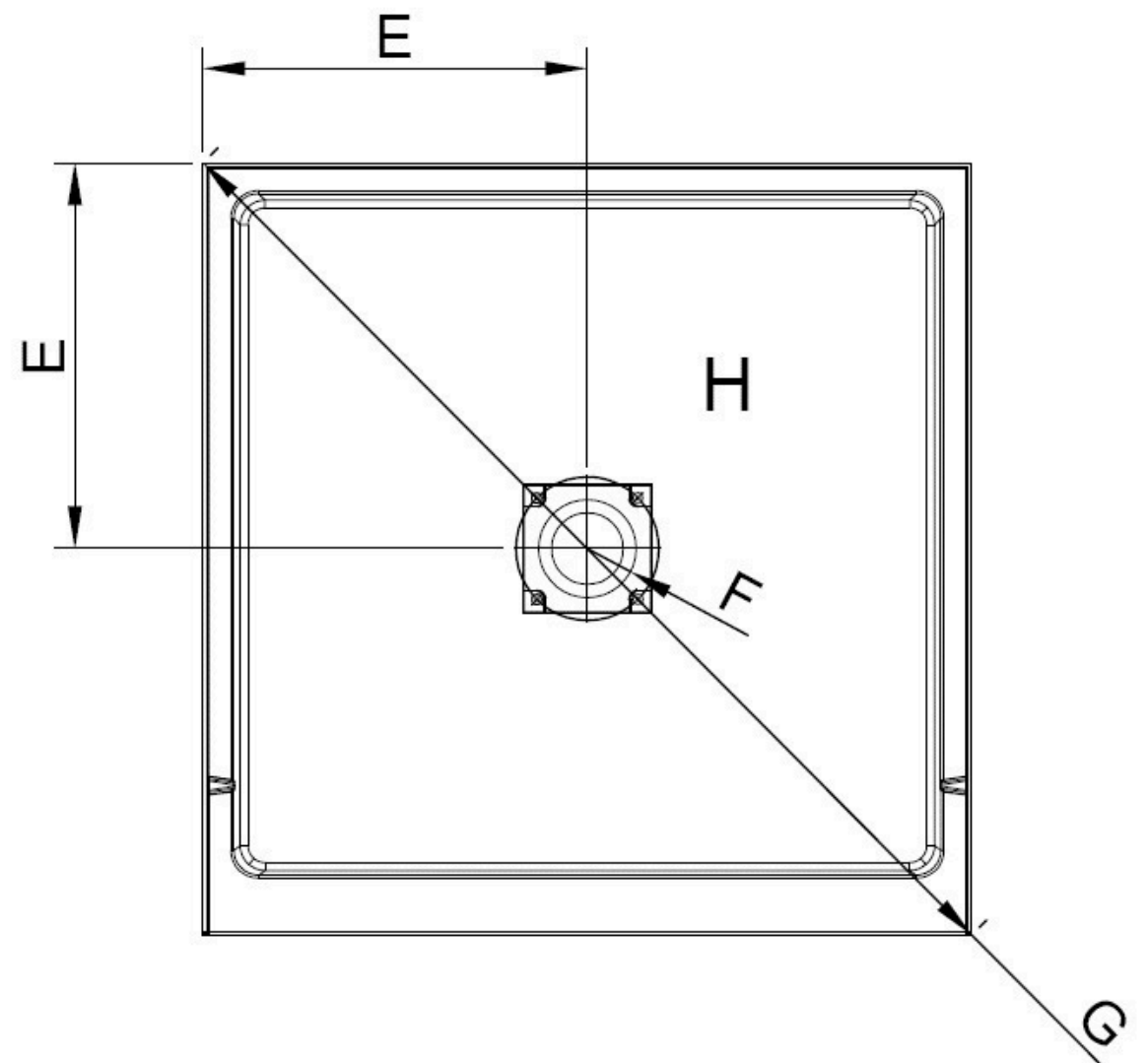
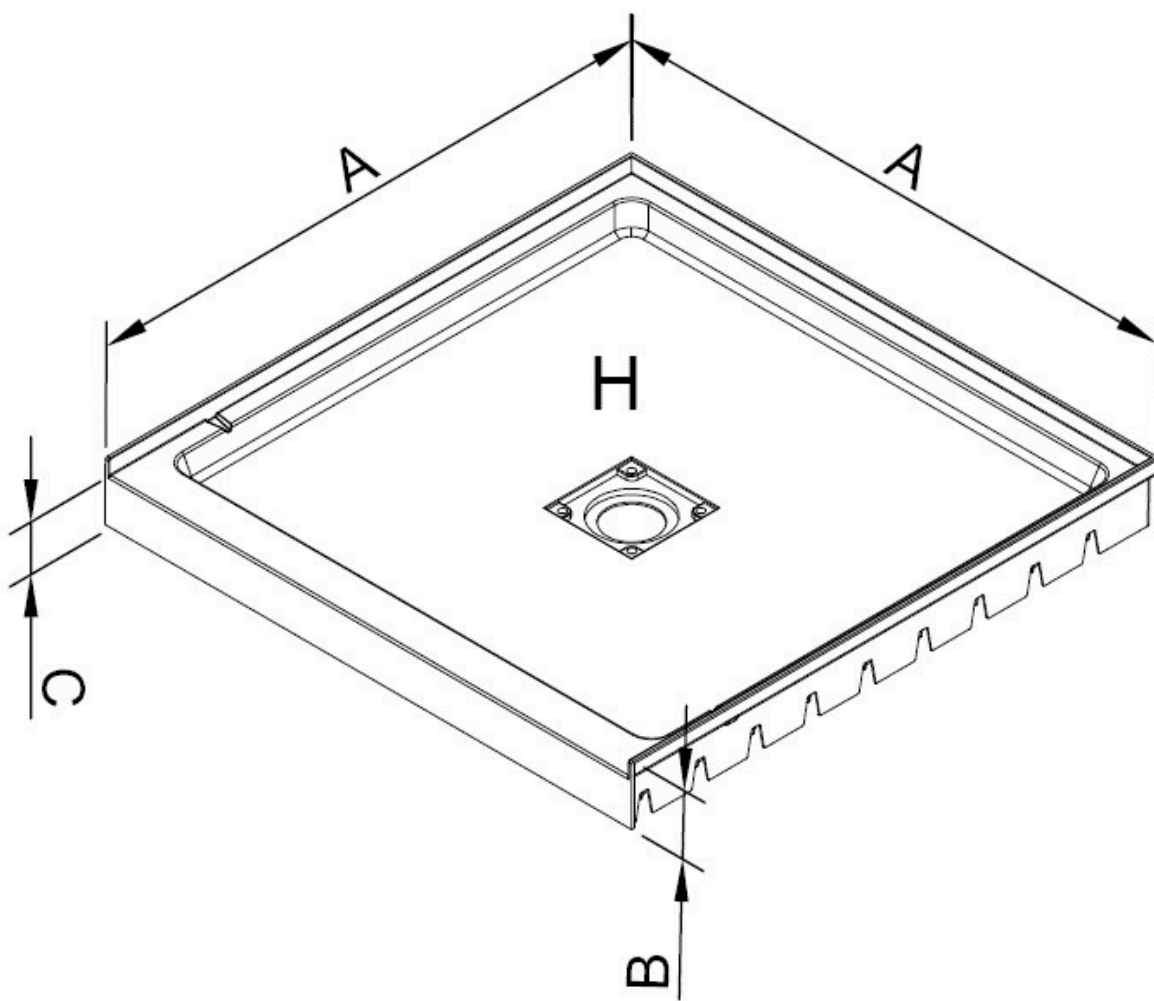
For more information, contact Dreamwerks at +1-888-266-7976 or support@dreamwerks.com. Visit dreamwerks.com for full product details.

All product specifications and measurements are approximate. Actual products may vary slightly. Specifications are subject to change without notice.

Please refer to the product manual or website for the latest updates.

York Shower Kit Measurements

#	Measurements - base	36"x 36" Alcove
A	Shower base depth (front to back)	36"
B	Shower base height (side to side)	3-15/16"
C	Threshold height (Without flange)	3"
D	Shower base depth (side to side)	36"
E	Drain distance from the corner	18"
F	Drain opening diameter	3-3/8"
G	Base edge length (maximum)	50-15/16"
H	Finished surface area	8.98 sq. ft



Copyright © 2005 - 2024 Dreamwerks. All rights reserved.

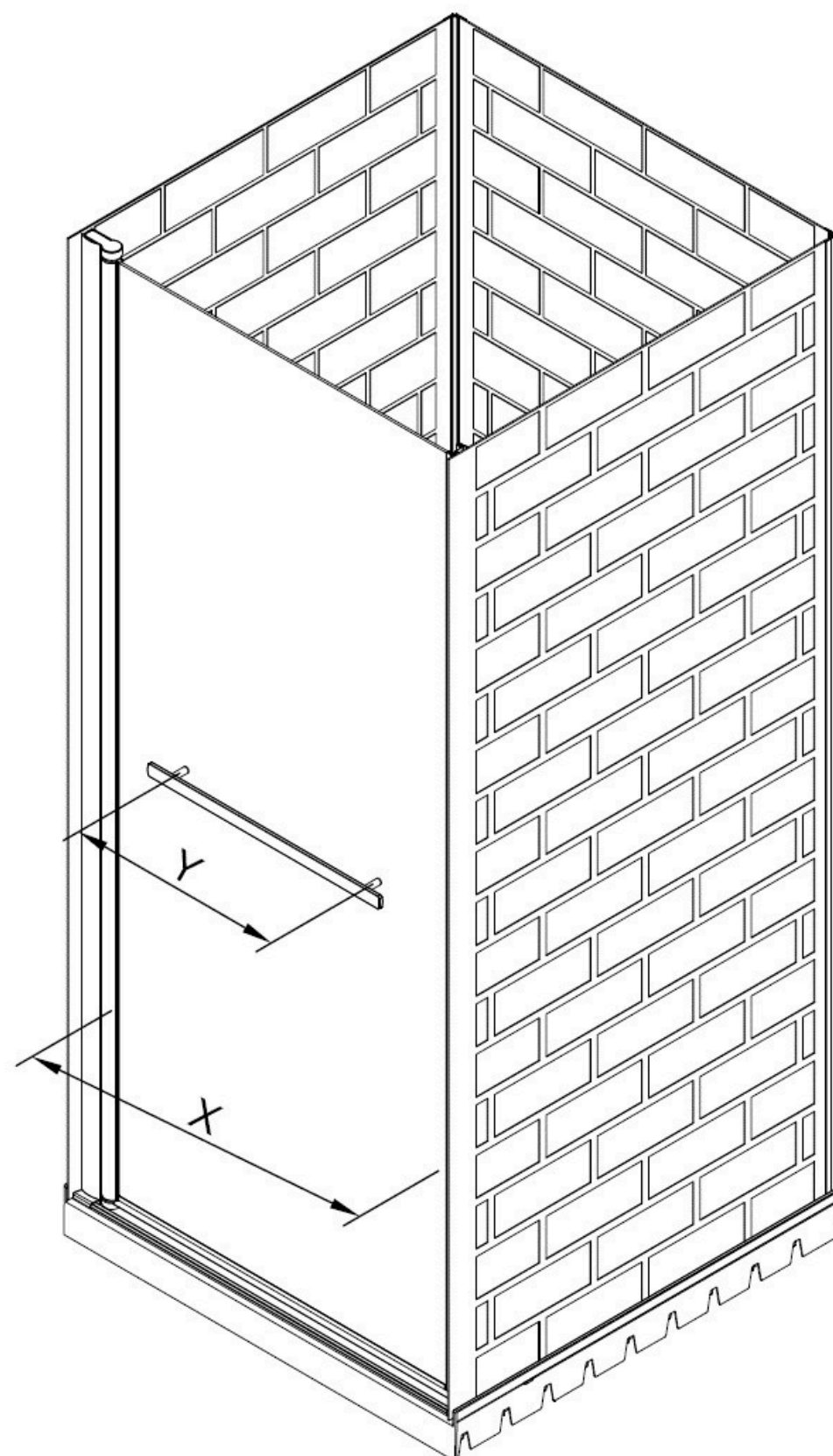
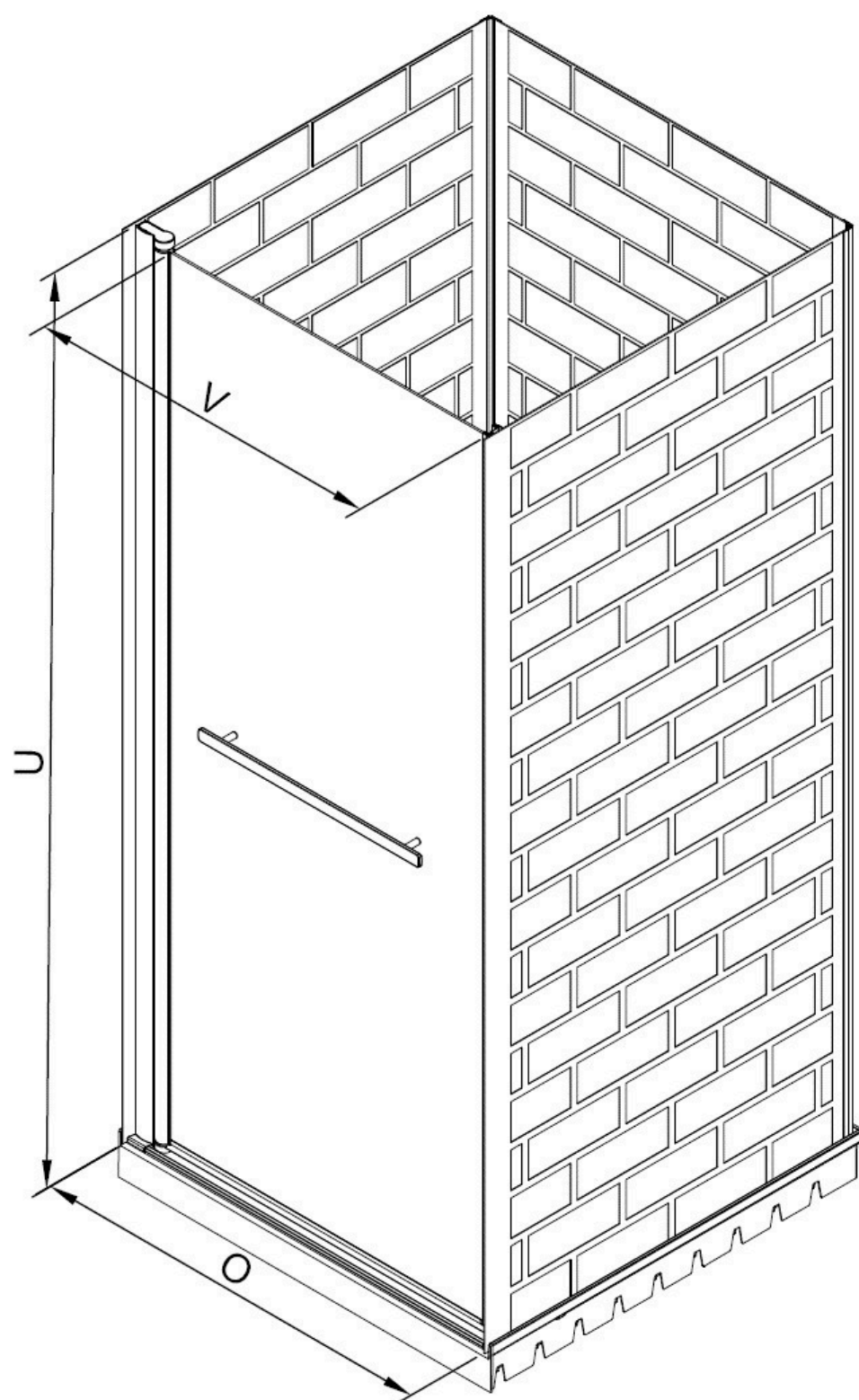
For more information, contact Dreamwerks at +1-888-266-7976 or support@dreamwerks.com. Visit dreamwerks.com for full product details.

All product specifications and measurements are approximate. Actual products may vary slightly. Specifications are subject to change without notice.

Please refer to the product manual or website for the latest updates.

York Shower Kit Measurements

#	Measurements - unit	36"x 36" Alcove
O	Shower width (wall track to wall track inside the shower)	35"
U	Shower height	76"
V	Fixed panel width	30-7/16"
X	Door opening	30-7/18"
Y	Distance between handle holes	17-3/4"



Copyright © 2005 - 2024 Dreamwerks. All rights reserved.

For more information, contact Dreamwerks at +1-888-266-7976 or support@dreamwerks.com. Visit dreamwerks.com for full product details.

All product specifications and measurements are approximate. Actual products may vary slightly. Specifications are subject to change without notice.

Please refer to the product manual or website for the latest updates.