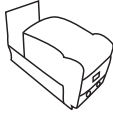

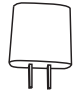


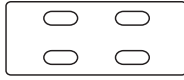
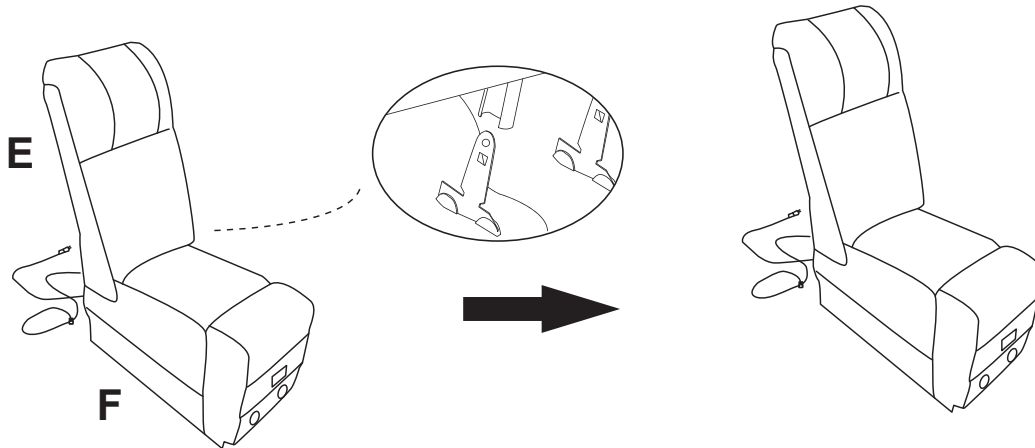


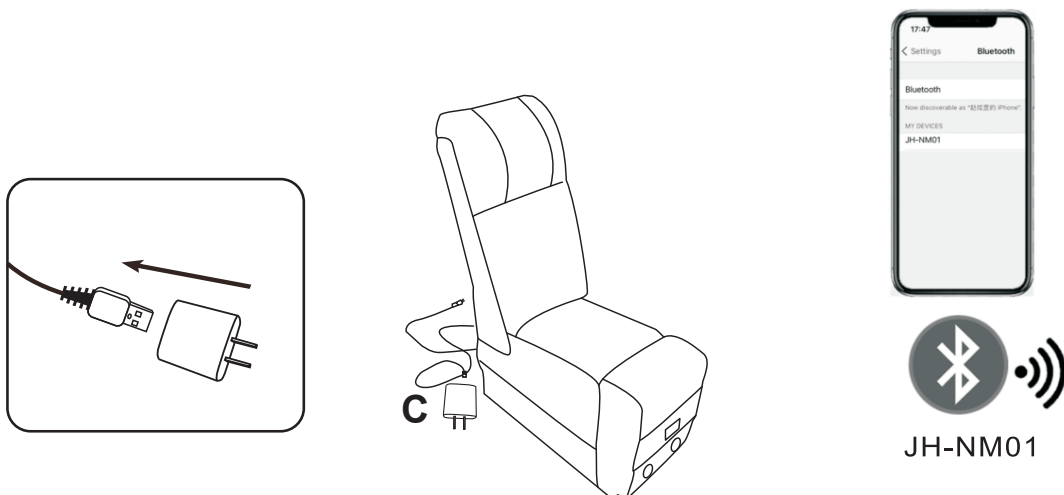
# Assembly Instruction

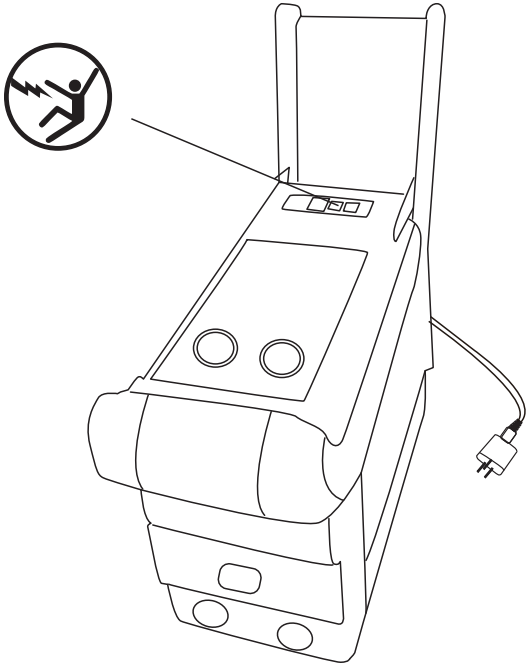
NO.	DRAWING	QTY	DESCRIPTION
F		1	CONSOLE
E		1	CONSOLE BACK REST
C		1	Plug
1		8	
2		4	
4		2	

## STEP 1



## STEP 2





### **Electrical Specification:**

1. Input voltage: 110VAC~230VAC.
- 2: Input current: 10A~16A
- 3: Frequency 50Hz~60Hz
- 4.USB:5V3A、 9V2A、 12V1.5A
- 5: Type-C:5V3A、 9V2.22A、 12V1.67A.
- 6: Power cable specification:14#\*16#\*18#

### **Announcement:**

1. Do not allow water seepage and beating, should not be installed outdoors and on the ground.
- 2: each product is affixed with the "etl"/ul certification label and warning to prevent occurrence dangerous, please use correct location of the indoor residence.

## **Notes:**

- This product features electrical components. Do not expose this product to high temperature or humidity.
- Always unplug this appliance when not in use.
- Only plug this product into a grounded outlet.
- Do not plug this product in with an electrical adaptor.
- Do not modify the plug.
- Do not leave with unattended children and individuals with impairments that may prevent them from safely operating this product.