

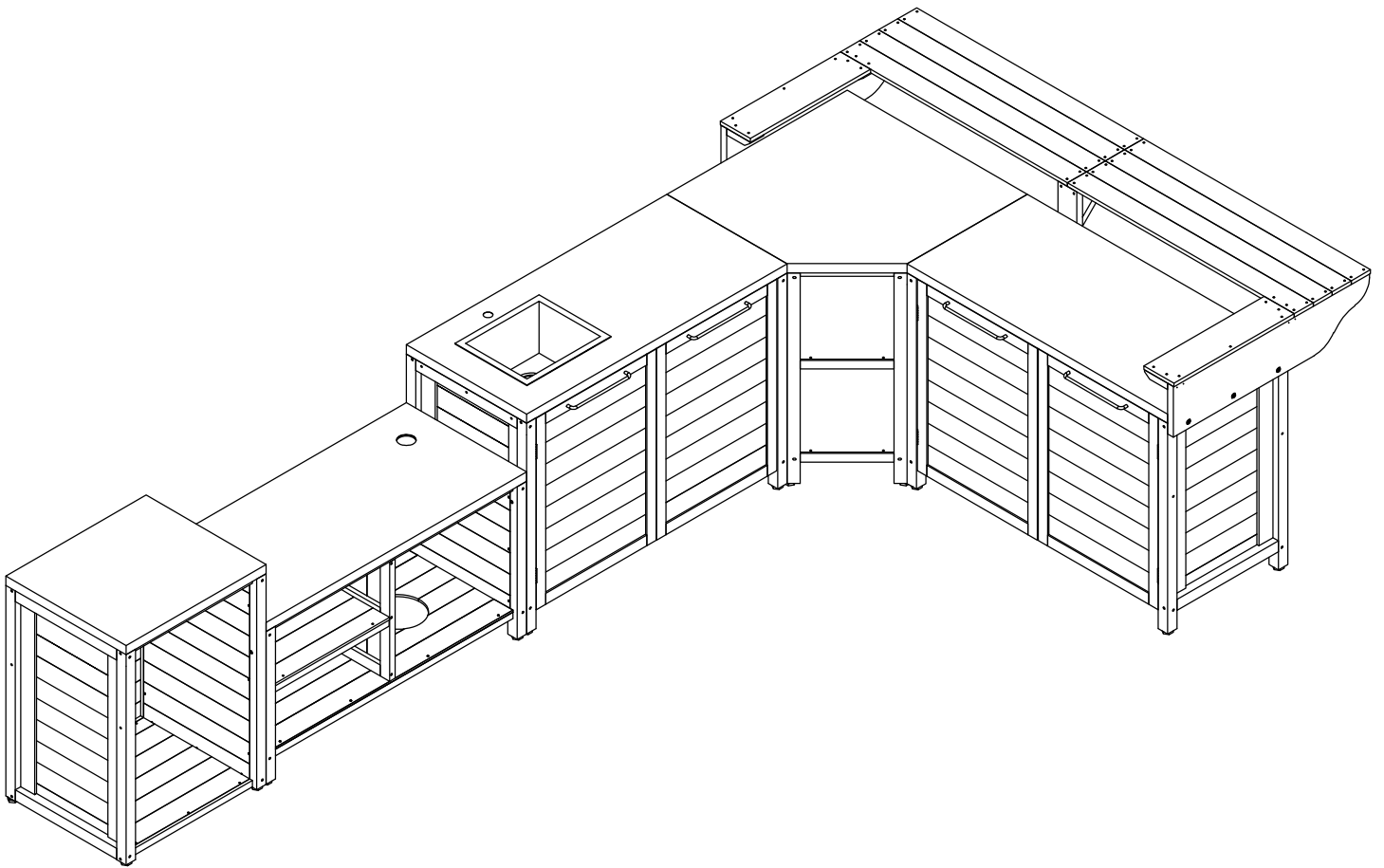
# **INSTALLATION**

## *Product Manual*

Version: 510039US-00-26A

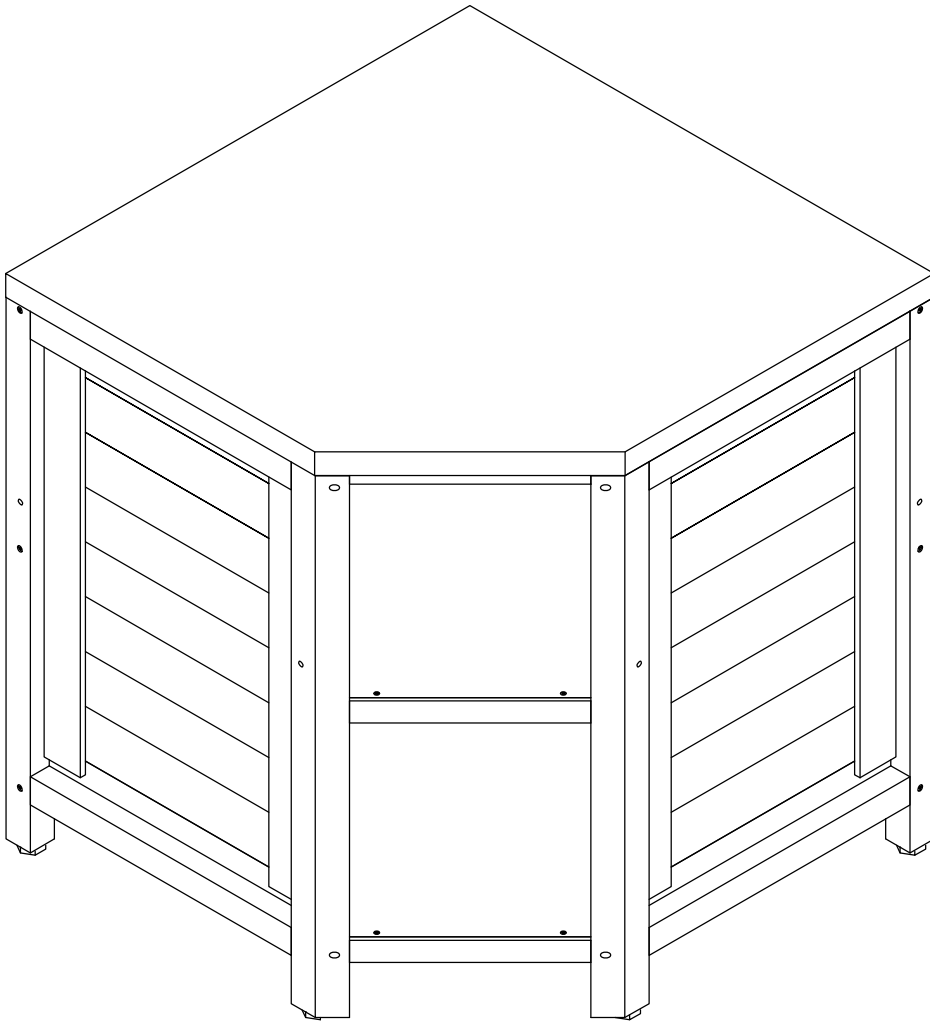
# Installation Instructions

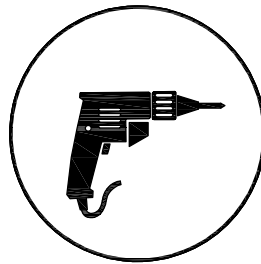
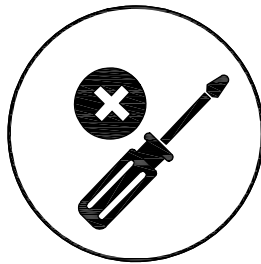
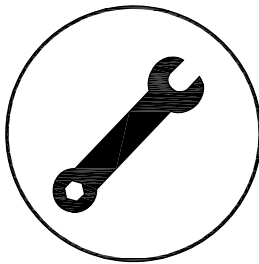
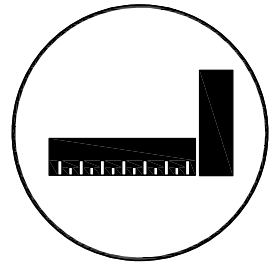
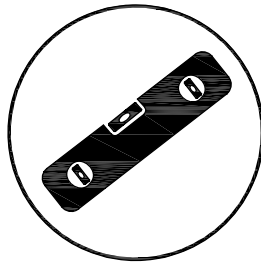
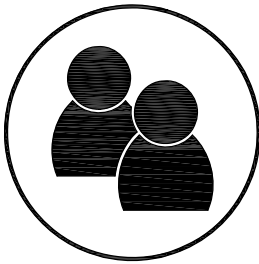
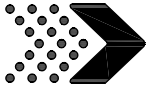
---



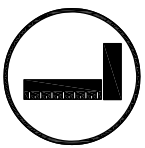
# Installation Instructions

---

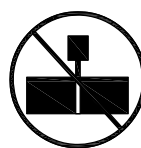




Icons and their uses you will see throughout this manual



You will need to make sure that your assembly is square before tightening your bolts.



This icon warns you to not over tighten your bolts. This is to prevent structural damage and also splintering your wood.



For proper assembly you will need to ensure that your structure is level before proceeding to the next step.



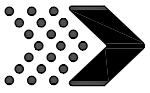
This icon will show you what drill attachments are needed. For this example you will need a Phillips head attachment .



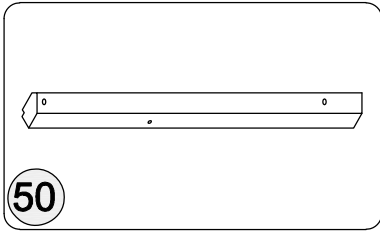
Some steps in the assembly process will require an extra set of hands. Make sure you have a helper available.



This size of the open-end wrench on these icons should correspond to the size of the nut.

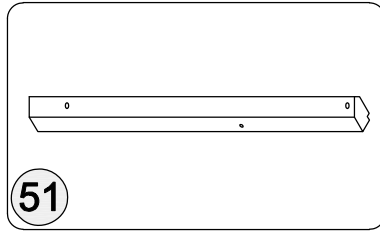


Wood Components (Not to Scale)



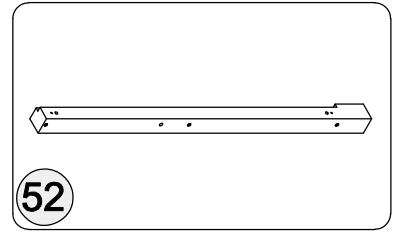
50

Left front pillar  
Qty: 1



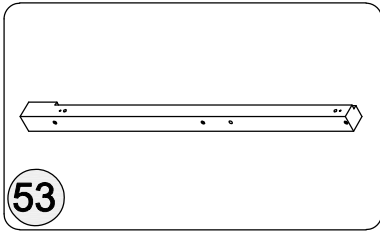
51

Right front pillar  
Qty: 1



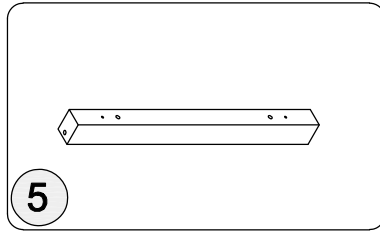
52

Left rear pillar  
Qty: 1



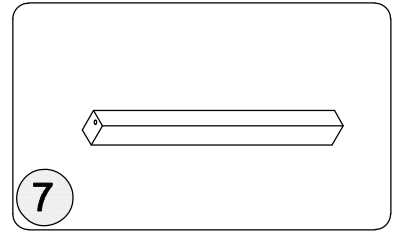
53

Right rear pillar  
Qty: 1



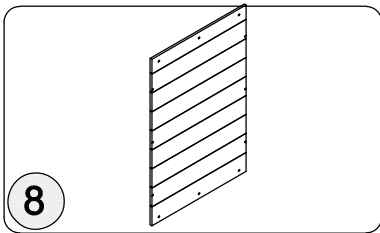
5

Left and right upper strips  
Qty: 2



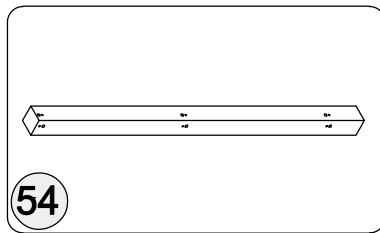
7

Left and right lower bars  
Qty: 2



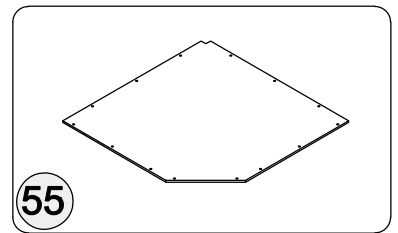
8

Left and right core boards  
Qty: 2



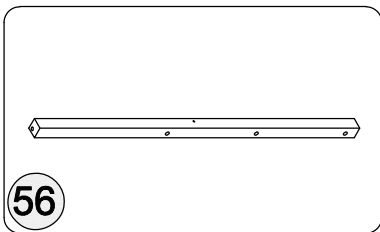
54

rear pillar  
Qty: 1



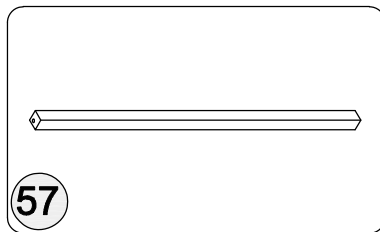
55

shelf board  
Qty: 2



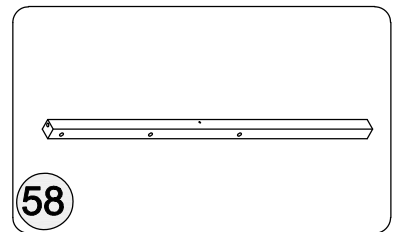
56

Upper left pull tab  
Qty: 1



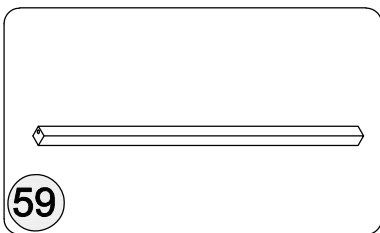
57

Left dropdown menu  
Qty: 2



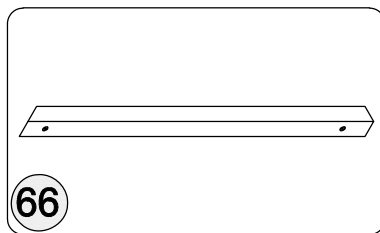
58

Upper right pull tab  
Qty: 1



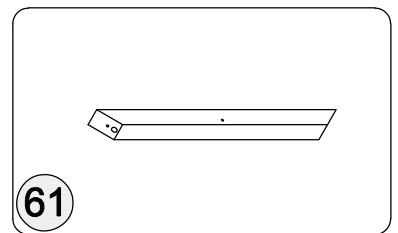
59

Lower right pull tab  
Qty: 2



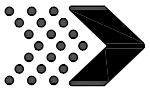
66

Layer board support strip  
Qty: 4

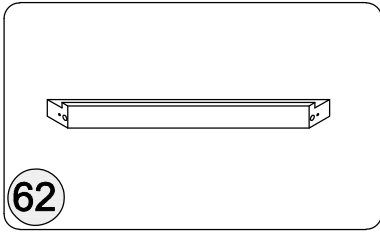


61

Front support strip  
Qty: 1

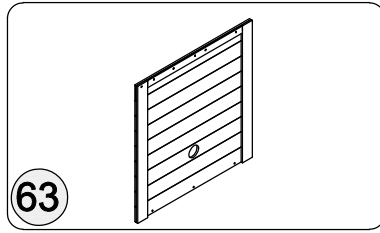


Wood Components (Not to Scale)



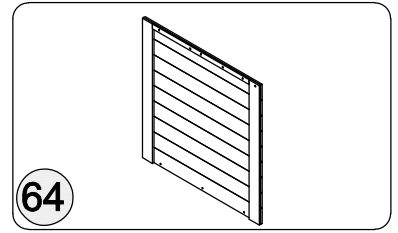
62

Front lower support strip  
Qty: 2



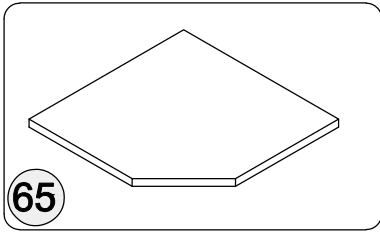
63

Left backboard  
Qty: 1



64

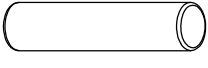
Right backboard  
Qty: 1




65

panel  
Qty: 1


Hardware Components

	
Ø8*30	
<b>(A)</b>	<b>x 30</b>


Wooden tenons

	
M4*25	
<b>(B)</b>	<b>x 58</b>


Screw

	
M4*45	
<b>(C)</b>	<b>x 3</b>


Screw

	
M5*70	
<b>(D)</b>	<b>x 20</b>


Screw

	
<b>(K)</b>	<b>x 1</b>


Outlet box

	
M5*80	
<b>(L)</b>	<b>x 4</b>


Screw

	
M4*35	
<b>(M)</b>	<b>x 12</b>


Screw

	
M4*40	
<b>(N)</b>	<b>x 8</b>


Screw

	
M6	
<b>(S)</b>	<b>x 1</b>

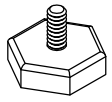
screwdriver

	
M6*80	
<b>(U)</b>	<b>x 2</b>

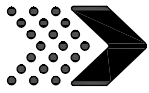
screws

	
Ø8*M6*20	
<b>(V)</b>	<b>x 2</b>

nut

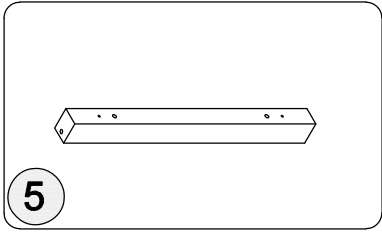
	
<b>(P)</b>	<b>x 5</b>

Adjusting Wheel



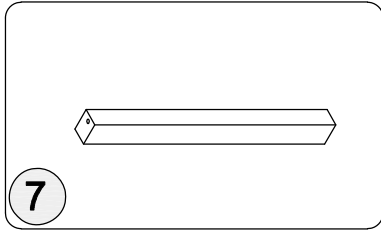
# Installation of left pull strip

## Step 1



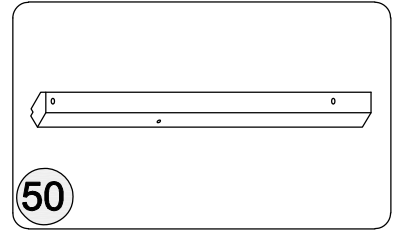
5

Left and right upper strips  
Qty: 1



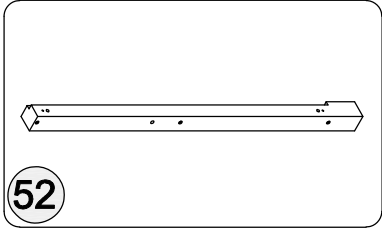
7

Left and right lower bars  
Qty: 1



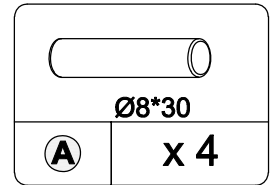
50

Left front pillar  
Qty: 1



52

Left rear pillar  
Qty: 1

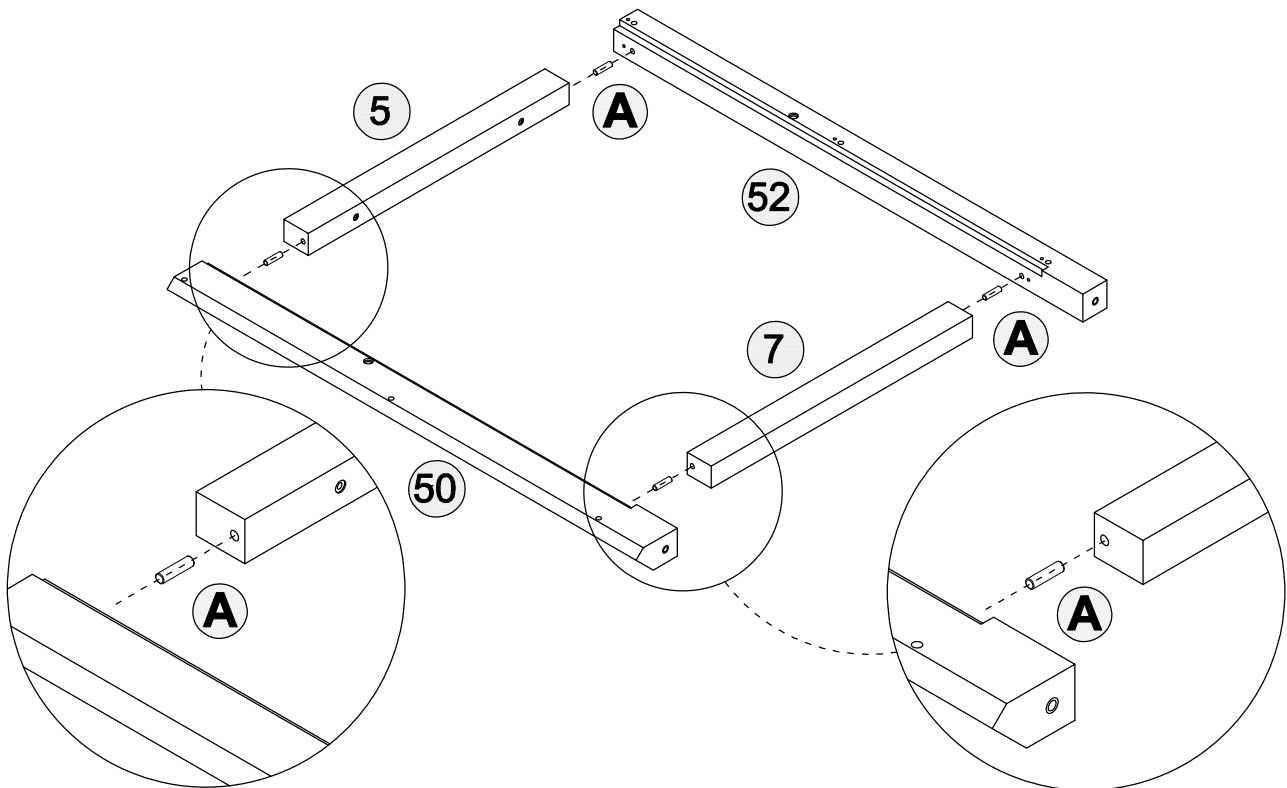


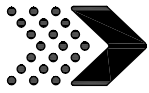
Ø8\*30

A

x 4

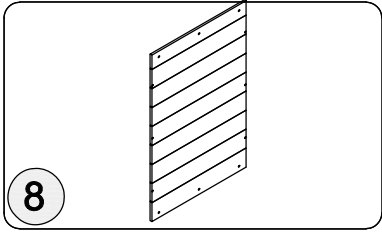
1. Connect the components with hardware A, ensuring the correct hole positions



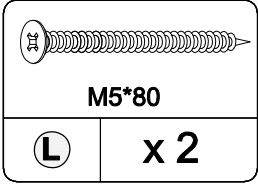
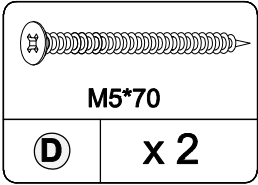


# Installation of left core board

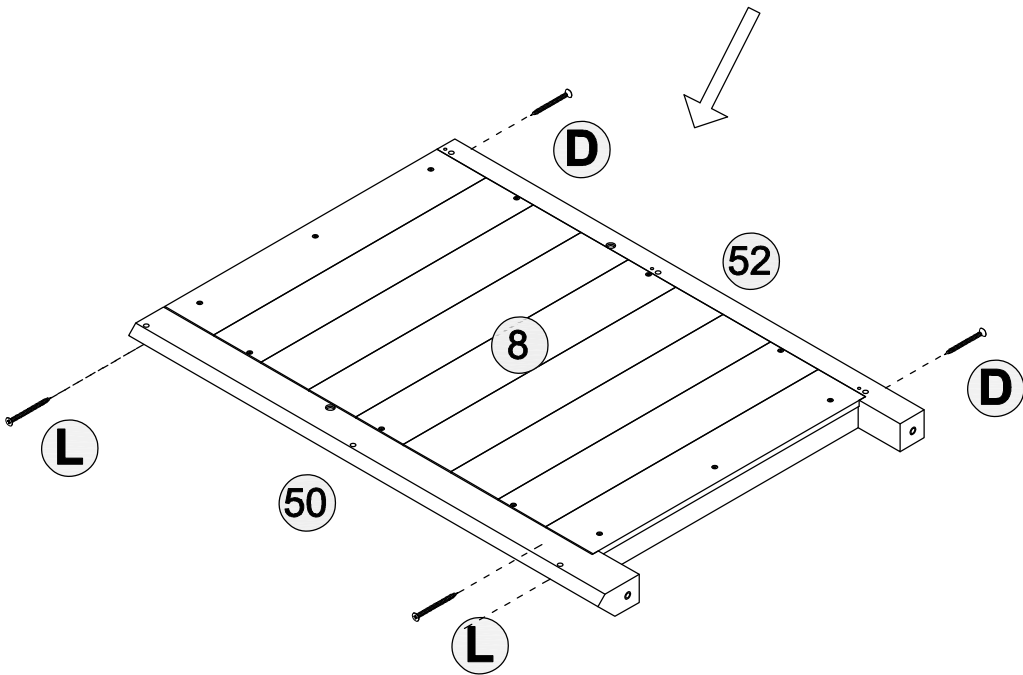
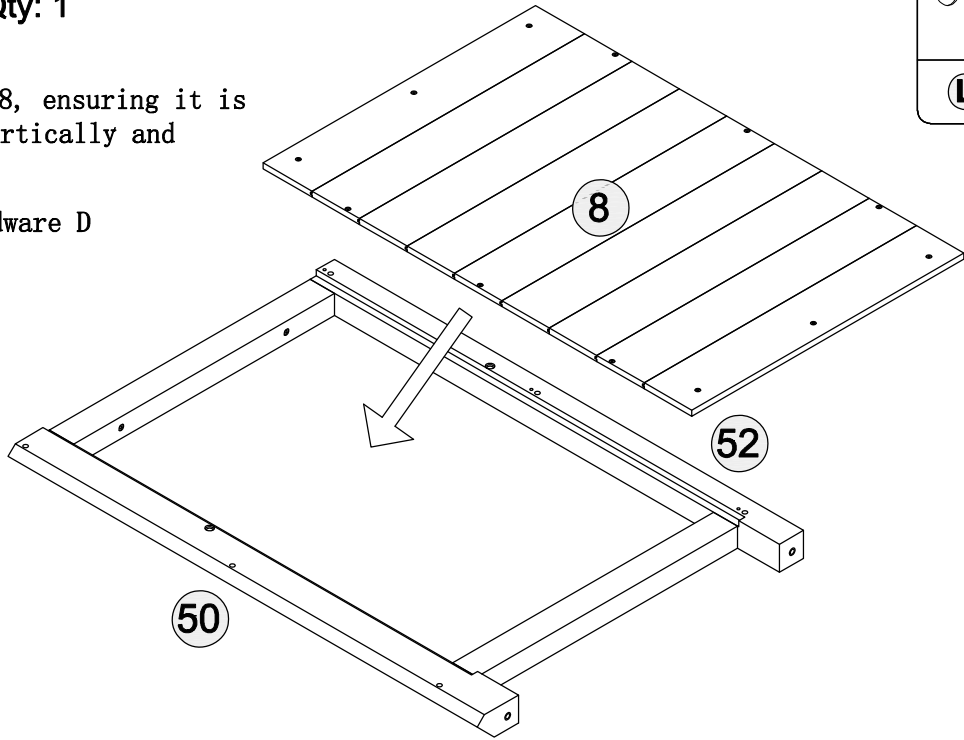
## Step 2

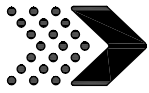


**8**  
Left and right core boards  
Qty: 1




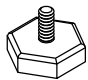
1. Insert part 8, ensuring it is level both vertically and horizontally
2. Install hardware D

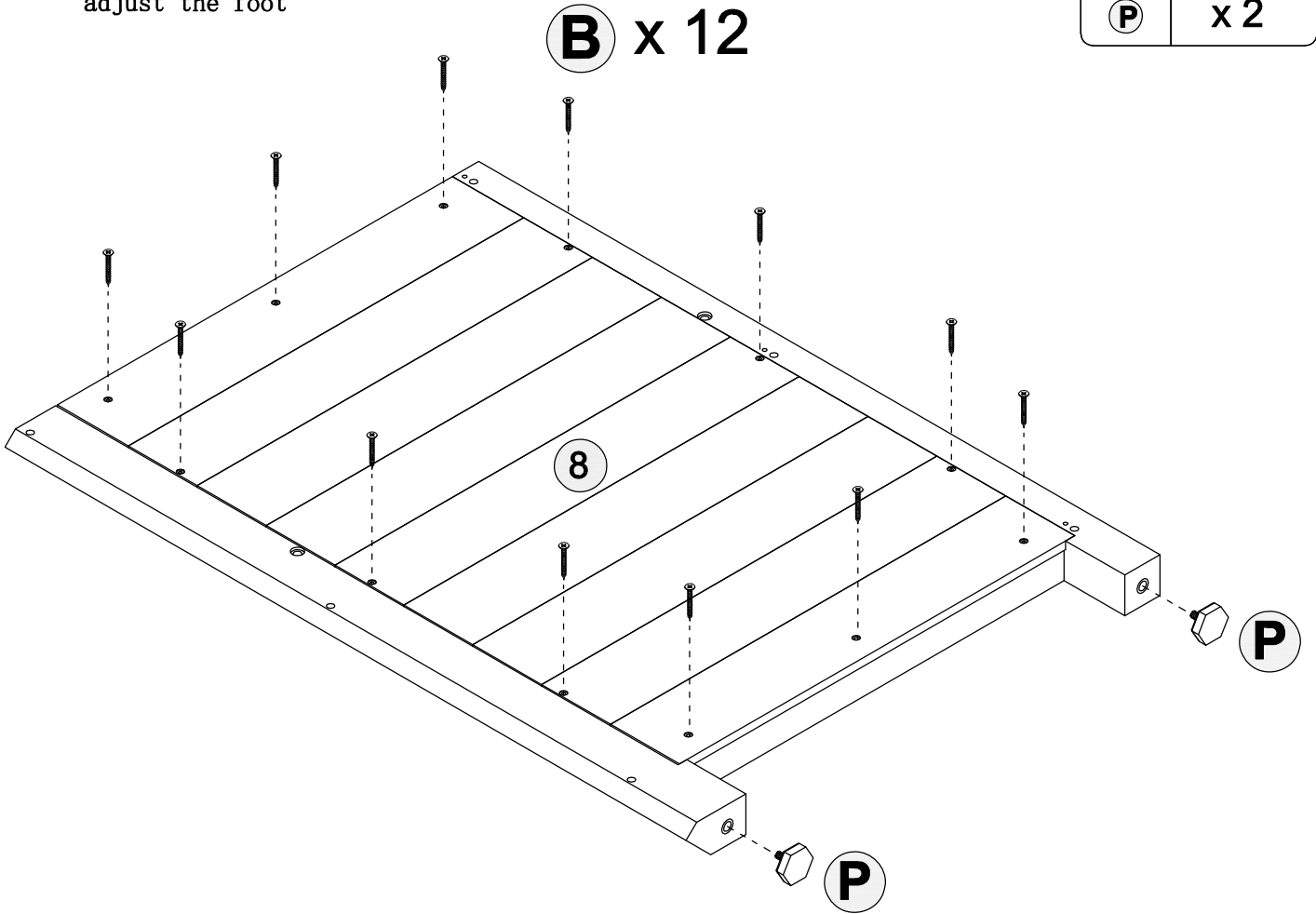


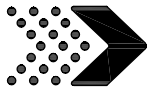


1. Install hardware B
2. Rotate clockwise to install and adjust the foot

	
M4*25	
<b>B</b>	x 12

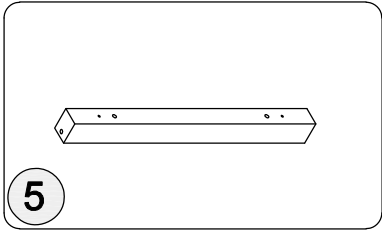
	
<b>P</b>	x 2





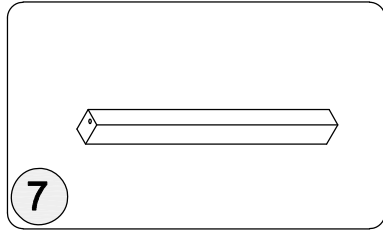
# Installation of the right pull strip

## Step 4



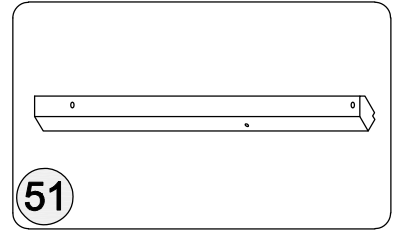
5

Left and right upper strips  
Qty: 1



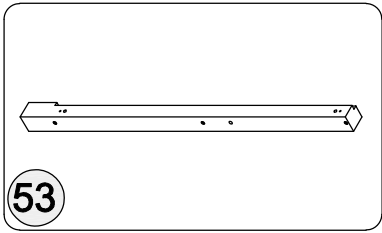
7

Left and right lower bars  
Qty: 1



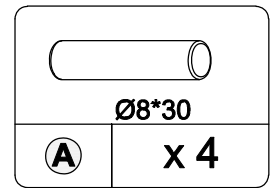
51

Right front pillar  
Qty: 1

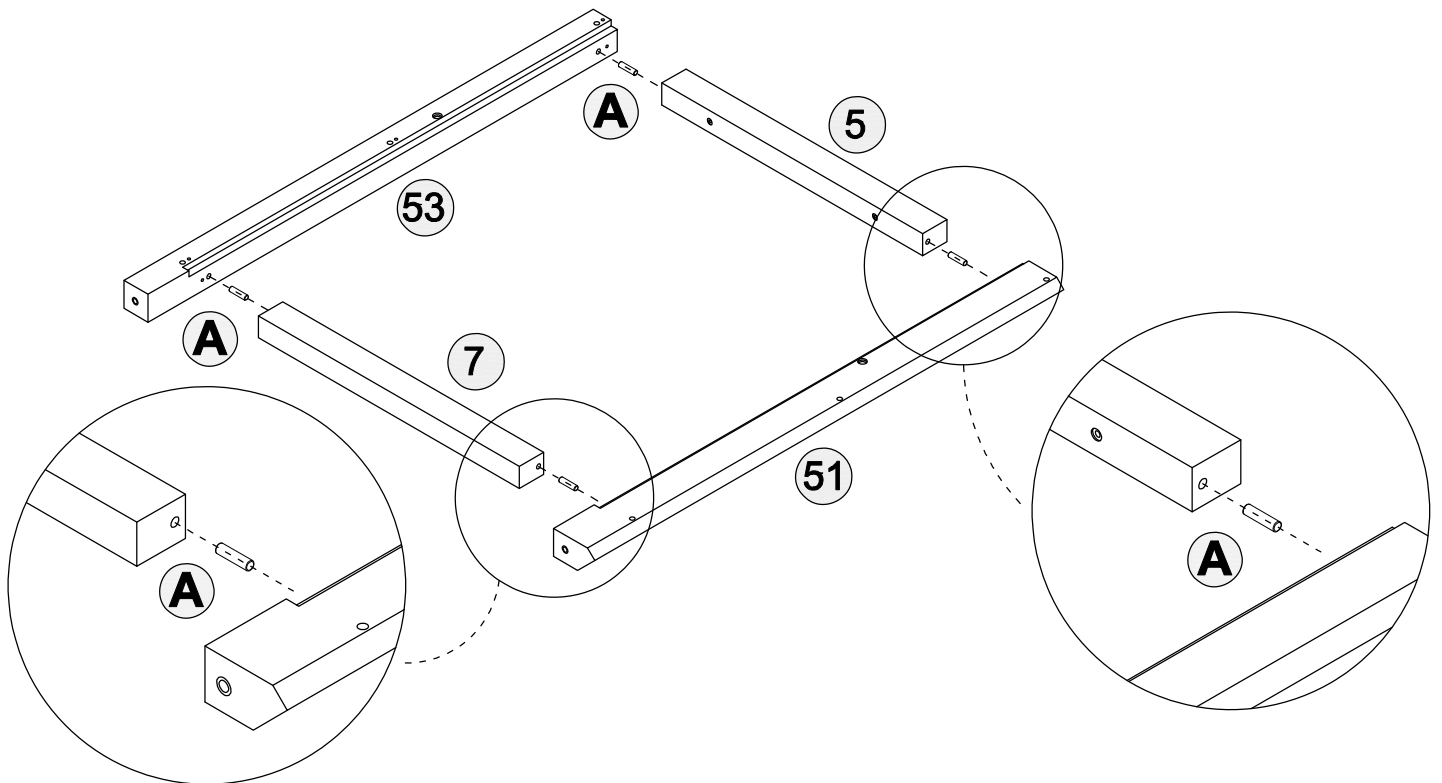


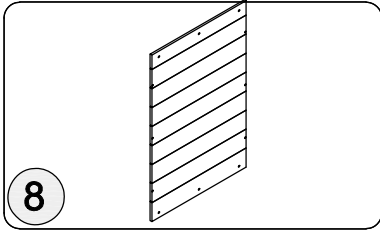
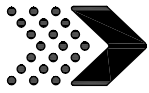
53

Right rear pillar  
Qty: 1



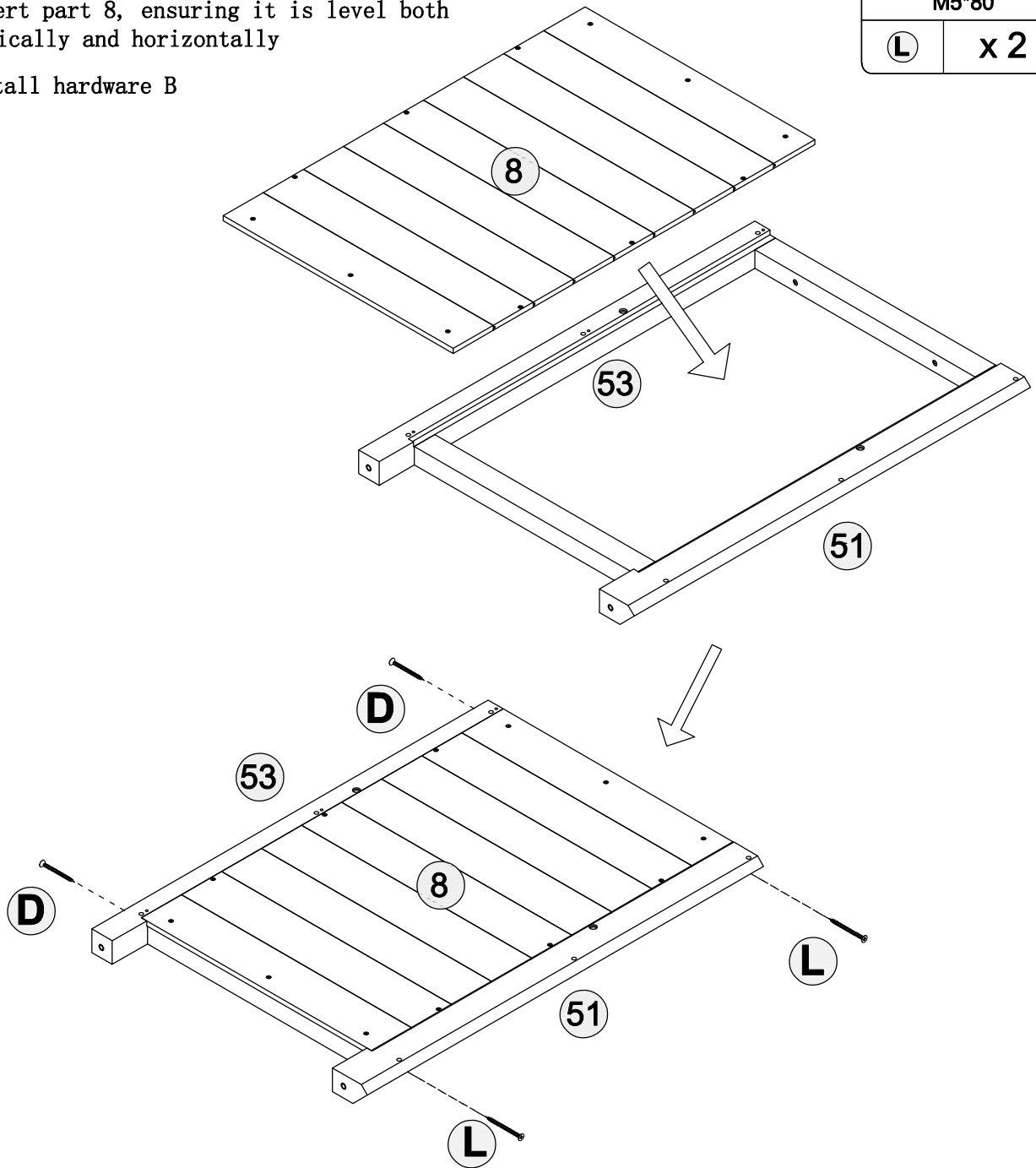
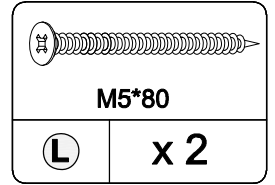
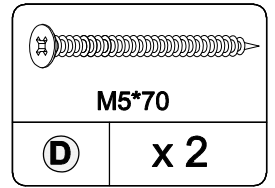
1. Connect the components with hardware A, ensuring the correct hole positions

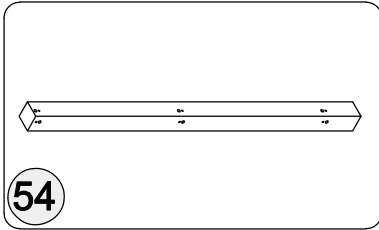
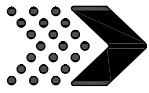




**Left and right core boards**  
**Qty: 1**

1. Insert part 8, ensuring it is level both vertically and horizontally
2. Install hardware B



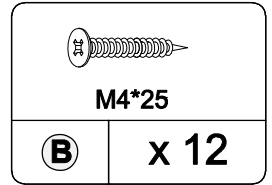


54

rear pillar

Qty: 1

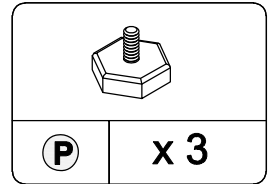
1. Install hardware B
2. Rotate clockwise to install and adjust the foot



M4\*25

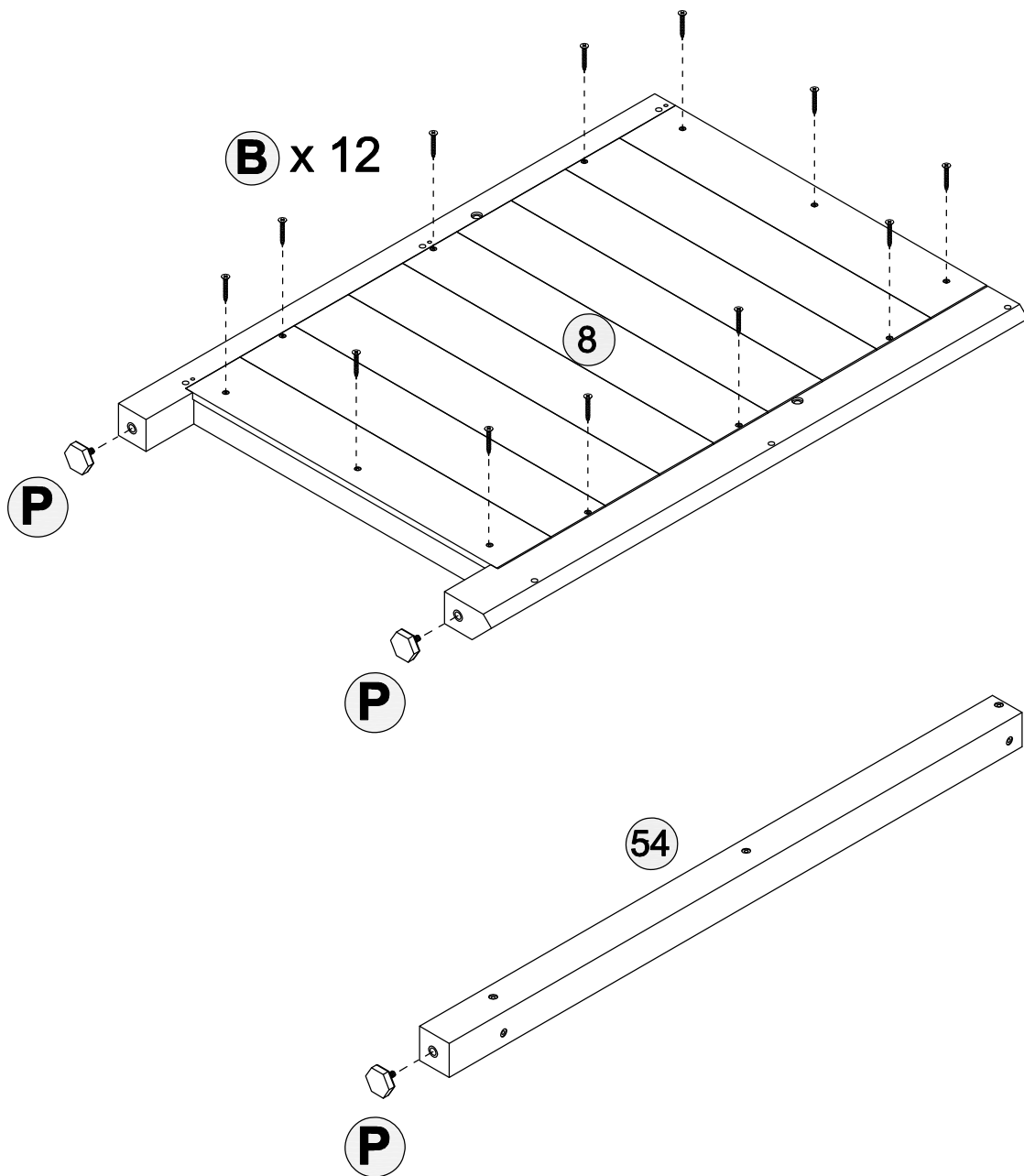
B

x 12



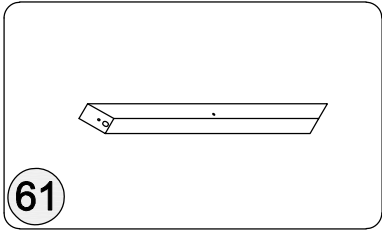
P

x 3

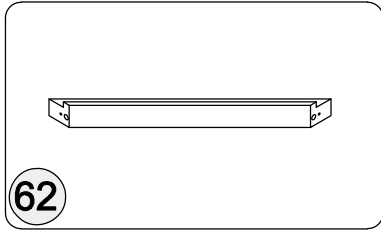


# Installation of front pull strip

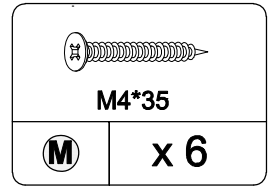
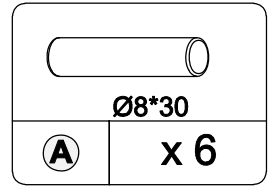
## Step 7



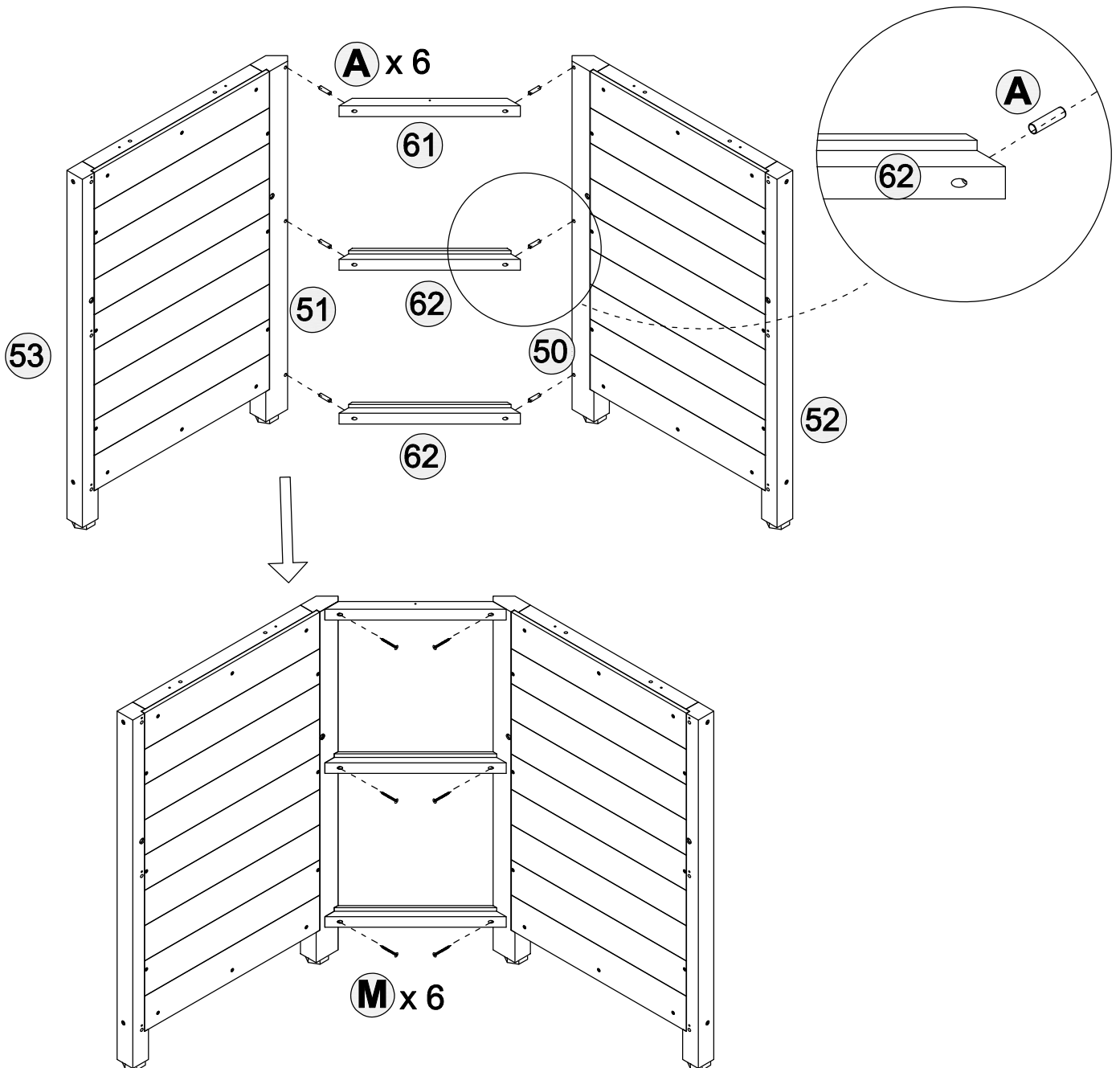
Front support strip  
Qty: 1

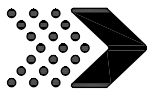


Front lower support strip  
Qty: 2



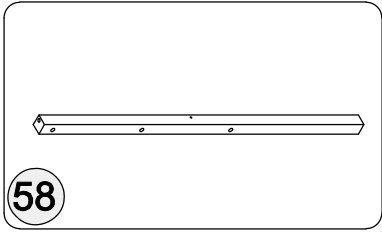
1. Connect with hardware A first, then install with hardware M





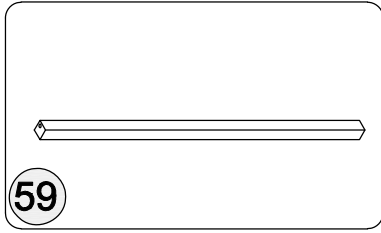
# Right pull bar installation

## Step 8



58

Upper right pull tab  
Qty: 1

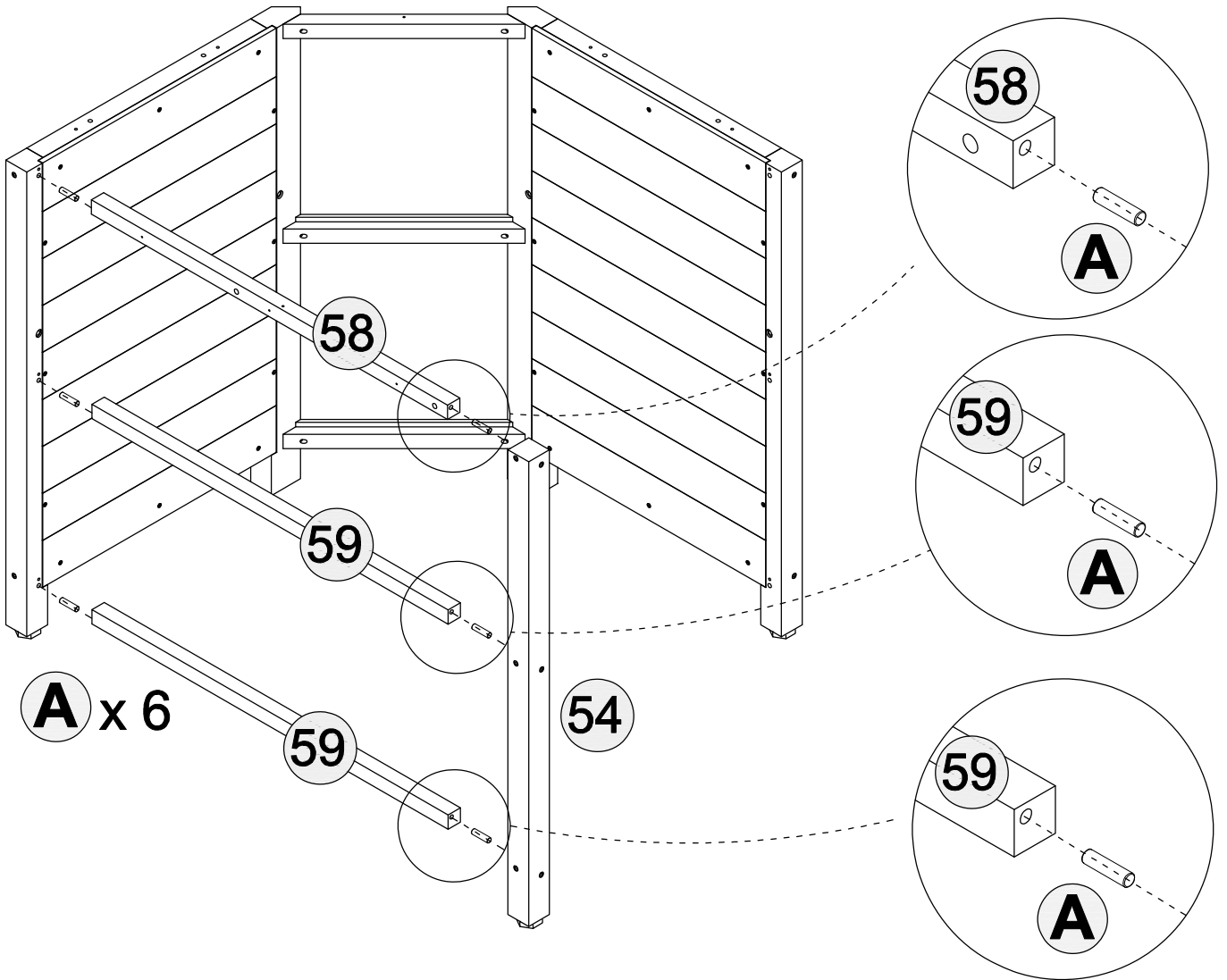


59

Lower right pull tab  
Qty: 2

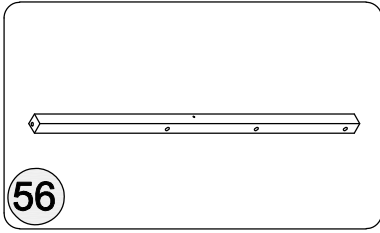
Ø8*30	
<b>A</b>	<b>x 6</b>

1. Connect the components with hardware A, ensuring the correct hole positions



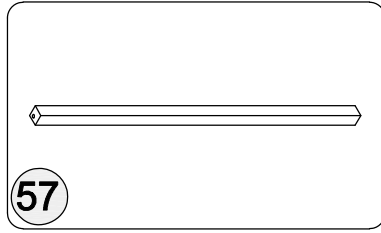
# Left pull bar installation

## Step 9



56

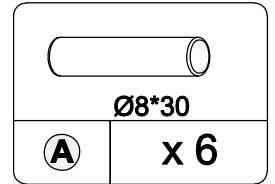
Upper left pull tab  
Qty: 1



57

Left dropdown menu  
Qty: 2

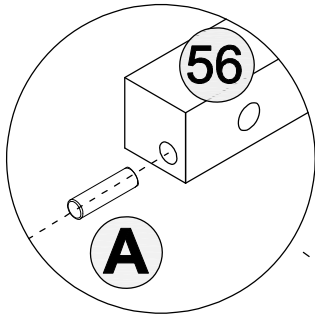
1. Connect the components with hardware A, ensuring the correct hole positions



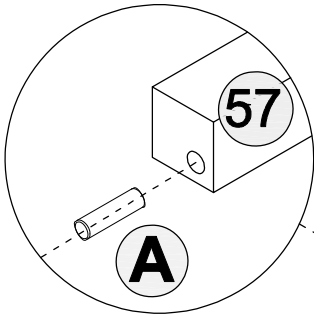
Ø8\*30

A

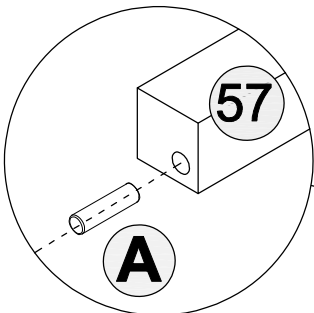
x 6



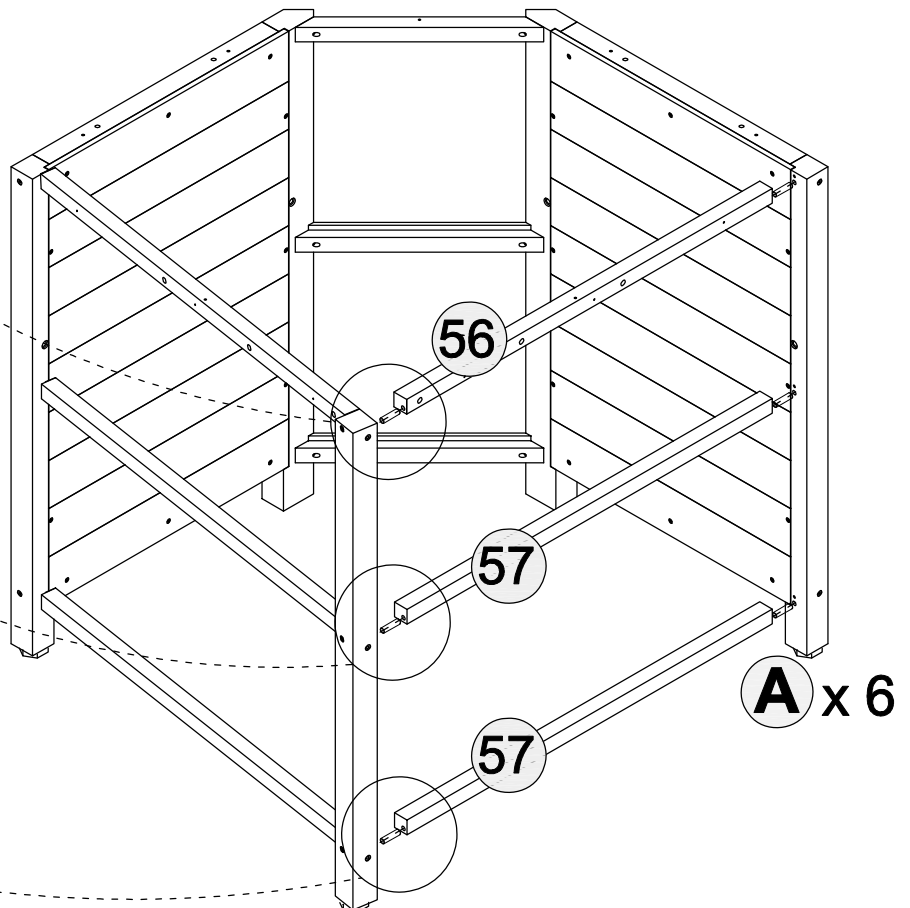
A



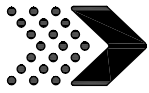
A



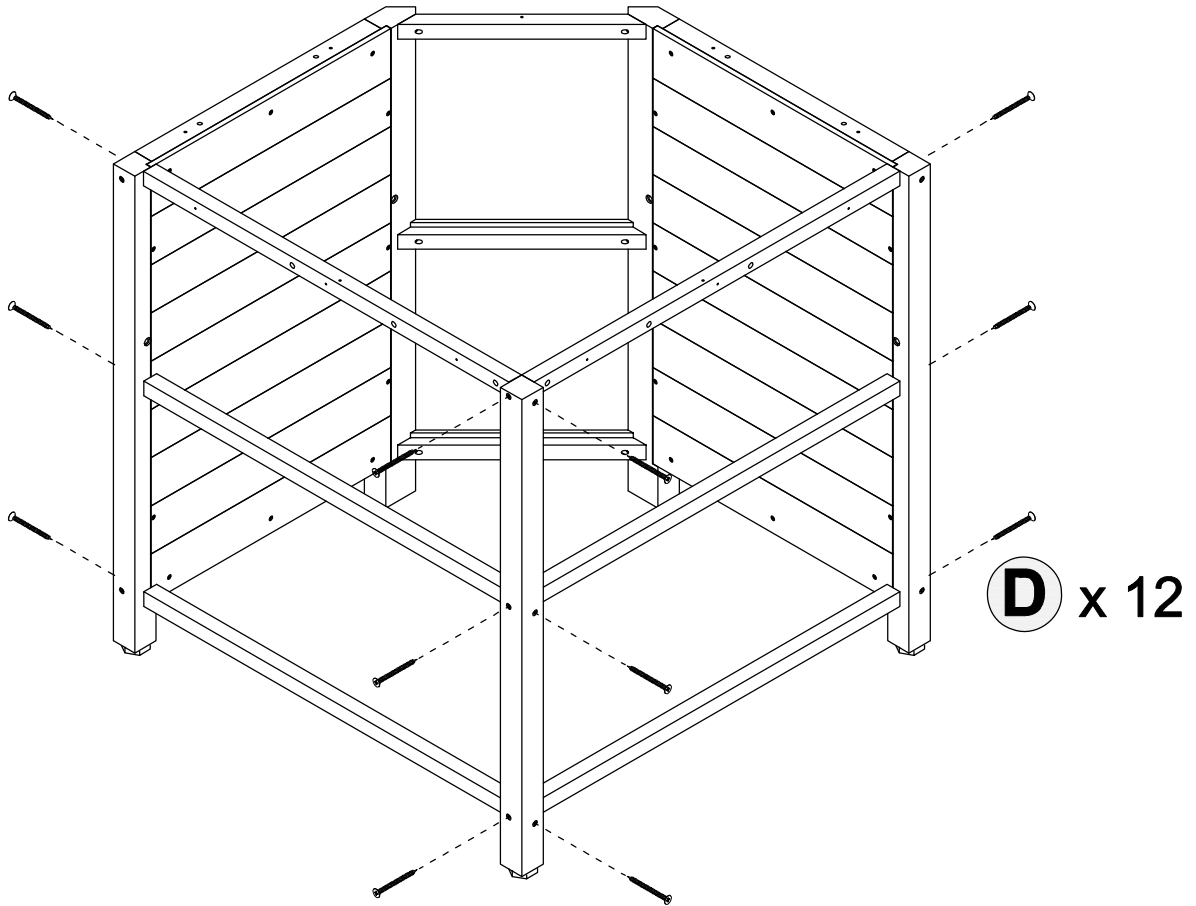
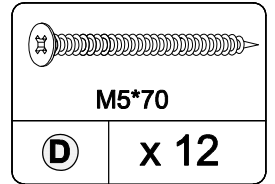
A

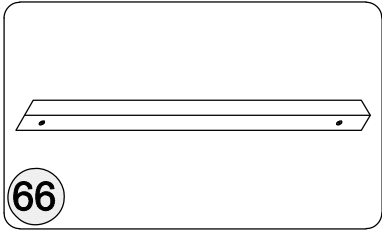


A x 6




1. Install hardware D

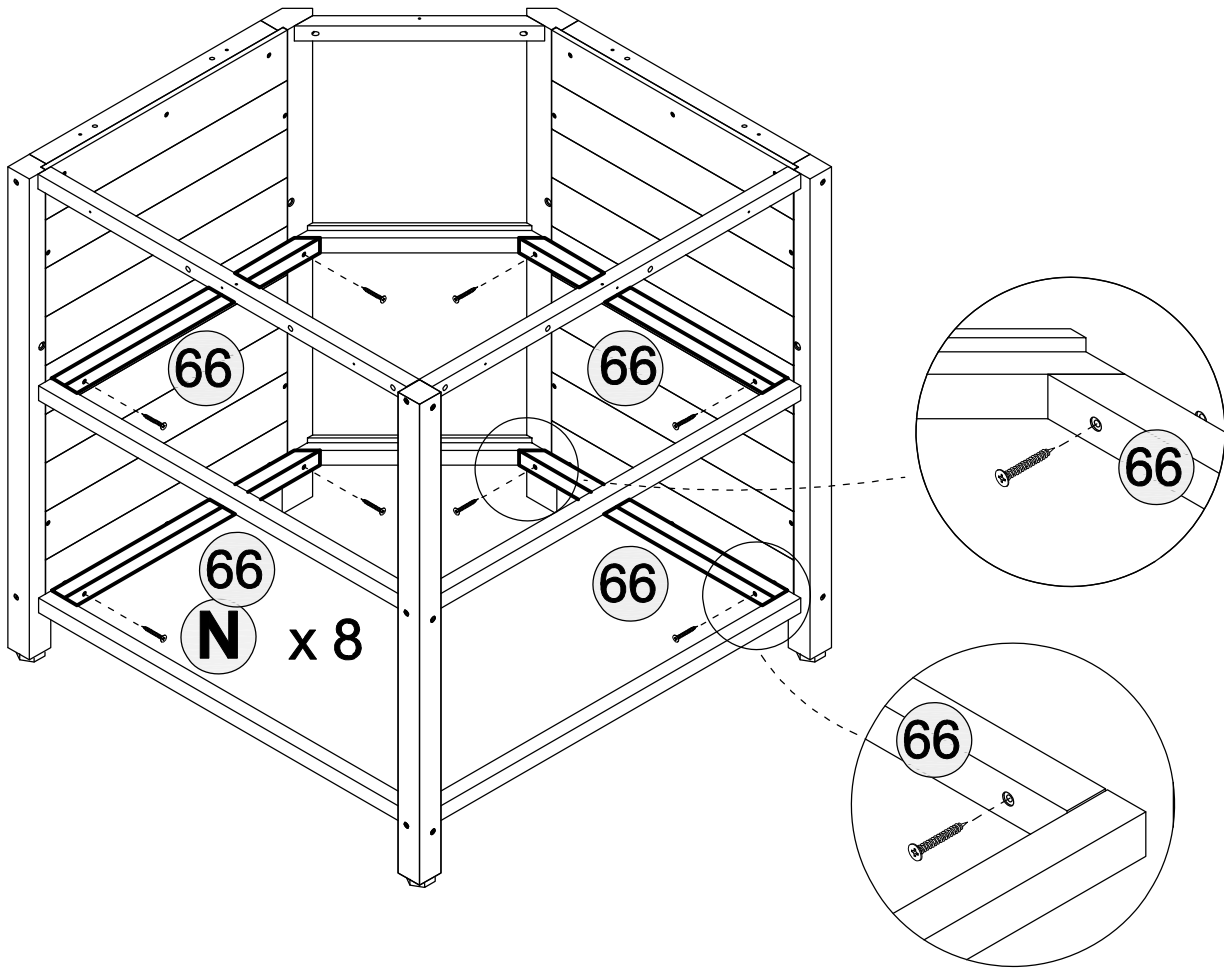


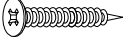


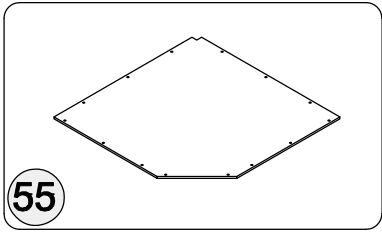
Layer board support strip  
Qty: 4

	
M4*40	
<b>N</b>	<b>x 8</b>

1. Align the two ends of component 66 with the front and rear components vertically, and then install it with hardware N

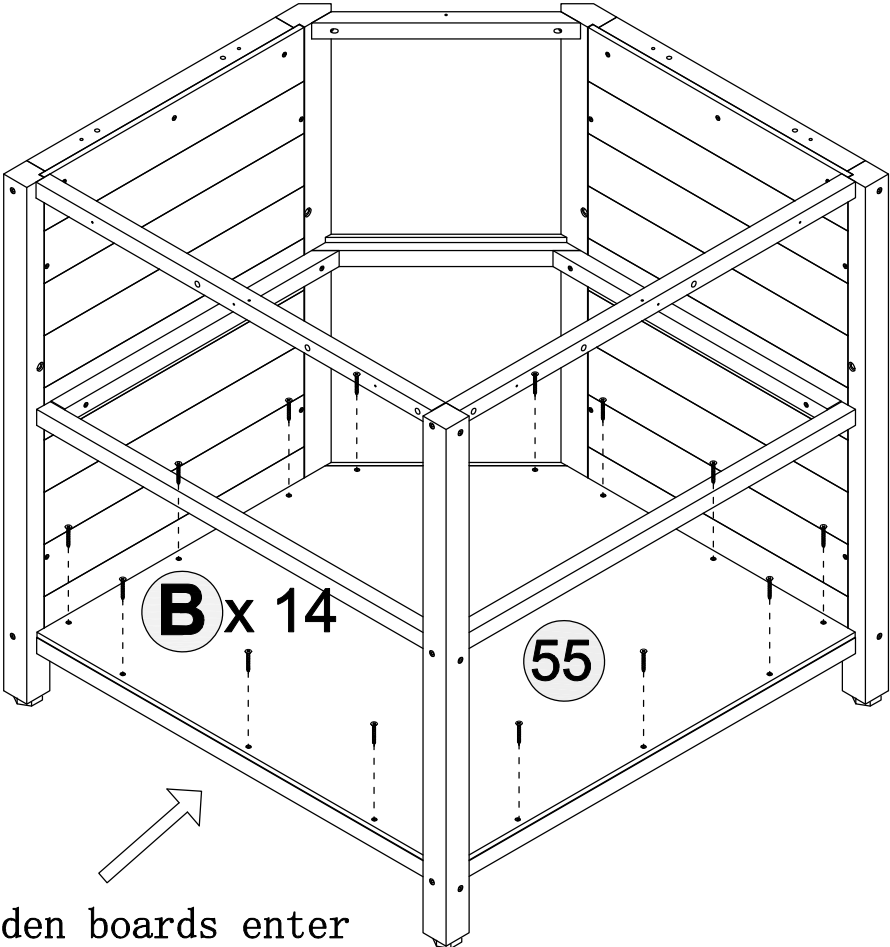


	
M4*25	
<b>B</b>	x 14

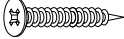


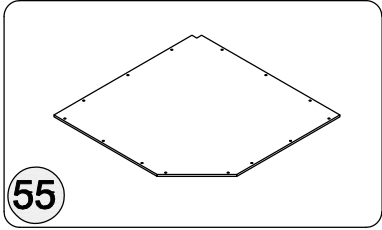
shelf board  
Qty: 1

1. Insert component 55 and install it with hardware B



55 wooden boards enter through this opening

	
M4*25	
<b>B</b>	x 14

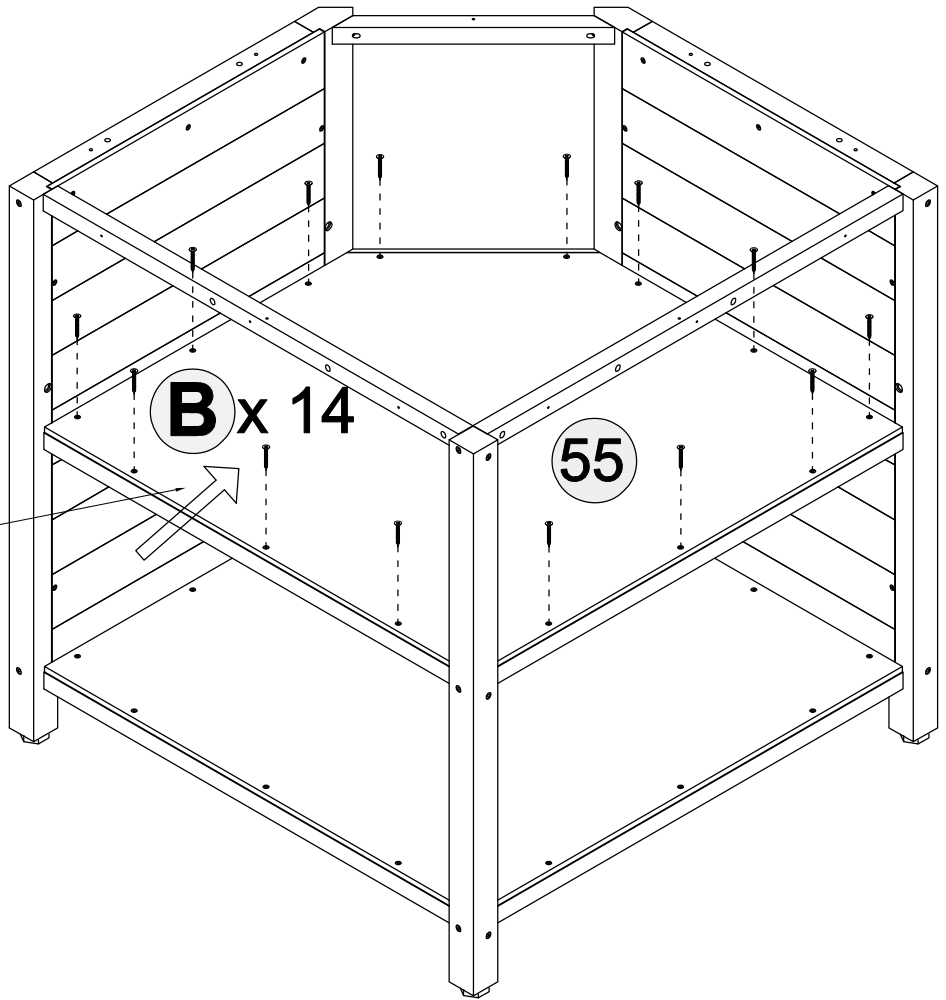


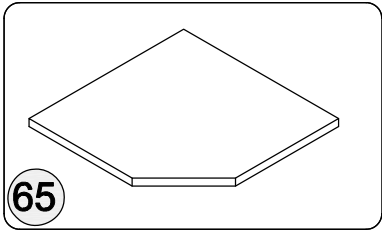
55

shelf board  
Qty: 1

1. Insert component 55 and install it with hardware B

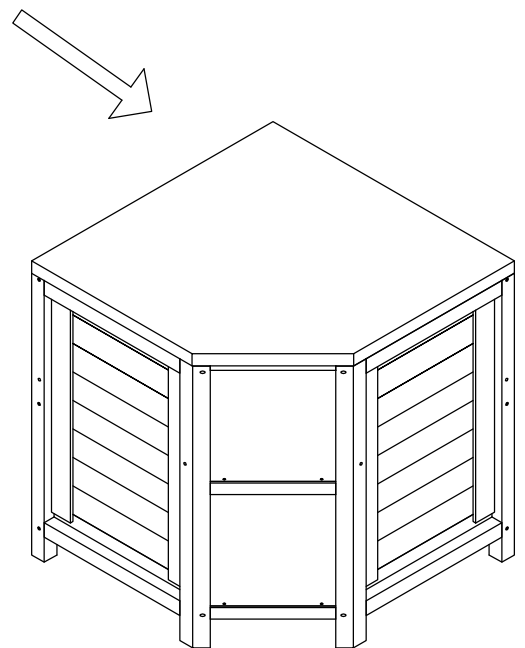
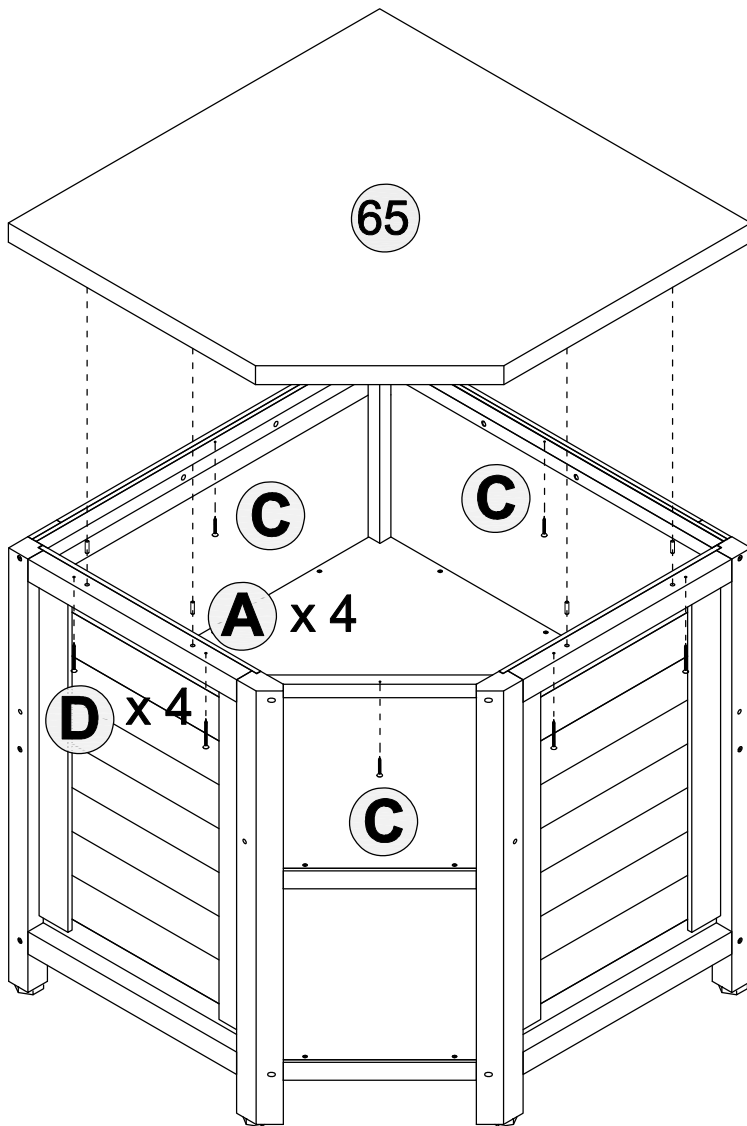
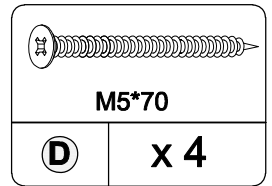
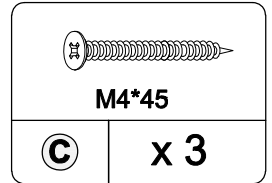
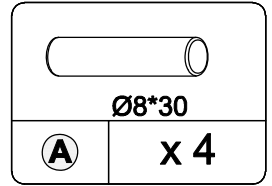
55 wooden boards  
enter through  
this opening

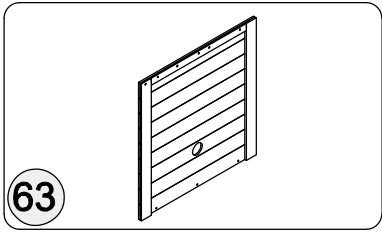




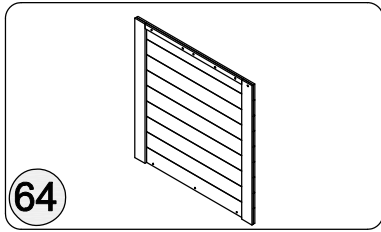
panel  
Qty: 1

1. Connect with hardware A first, then install with hardware D, hardware C






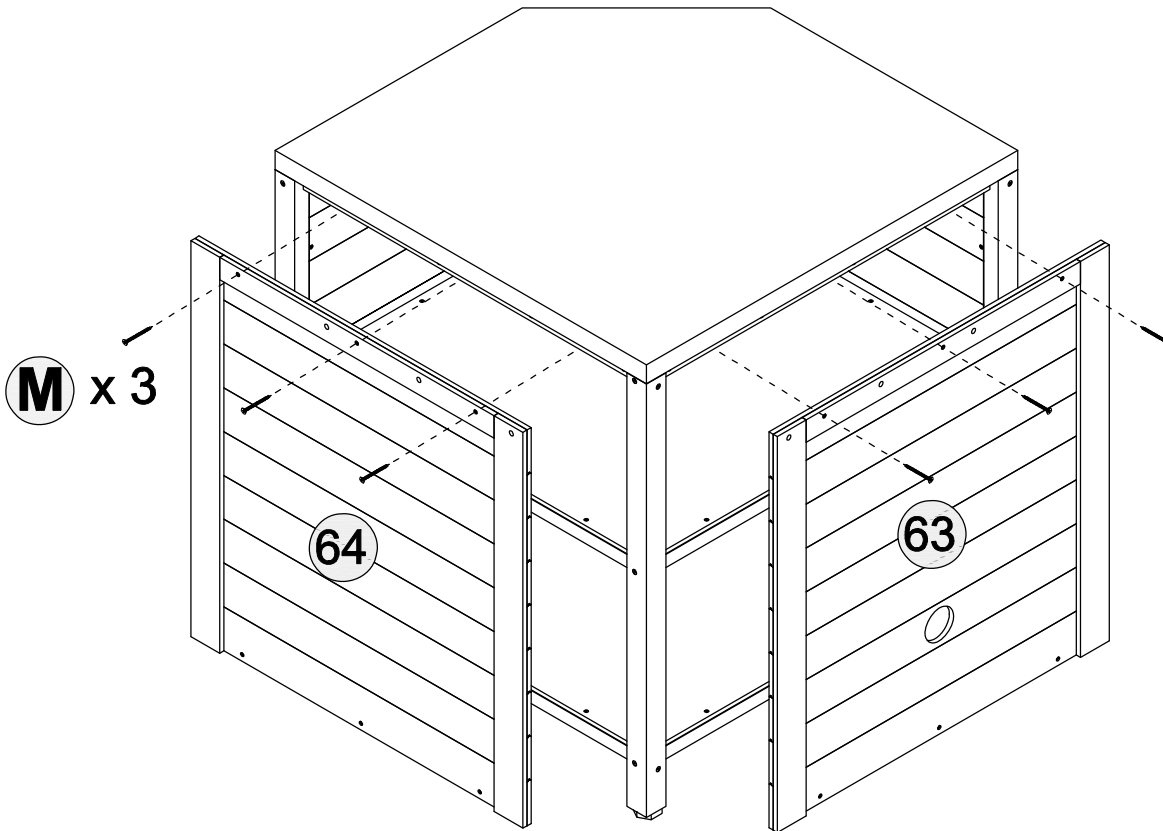
**Left backboard**  
Qty: 1




**Right backboard**  
Qty: 1


	
M4*35	
<b>M</b>	<b>x 6</b>

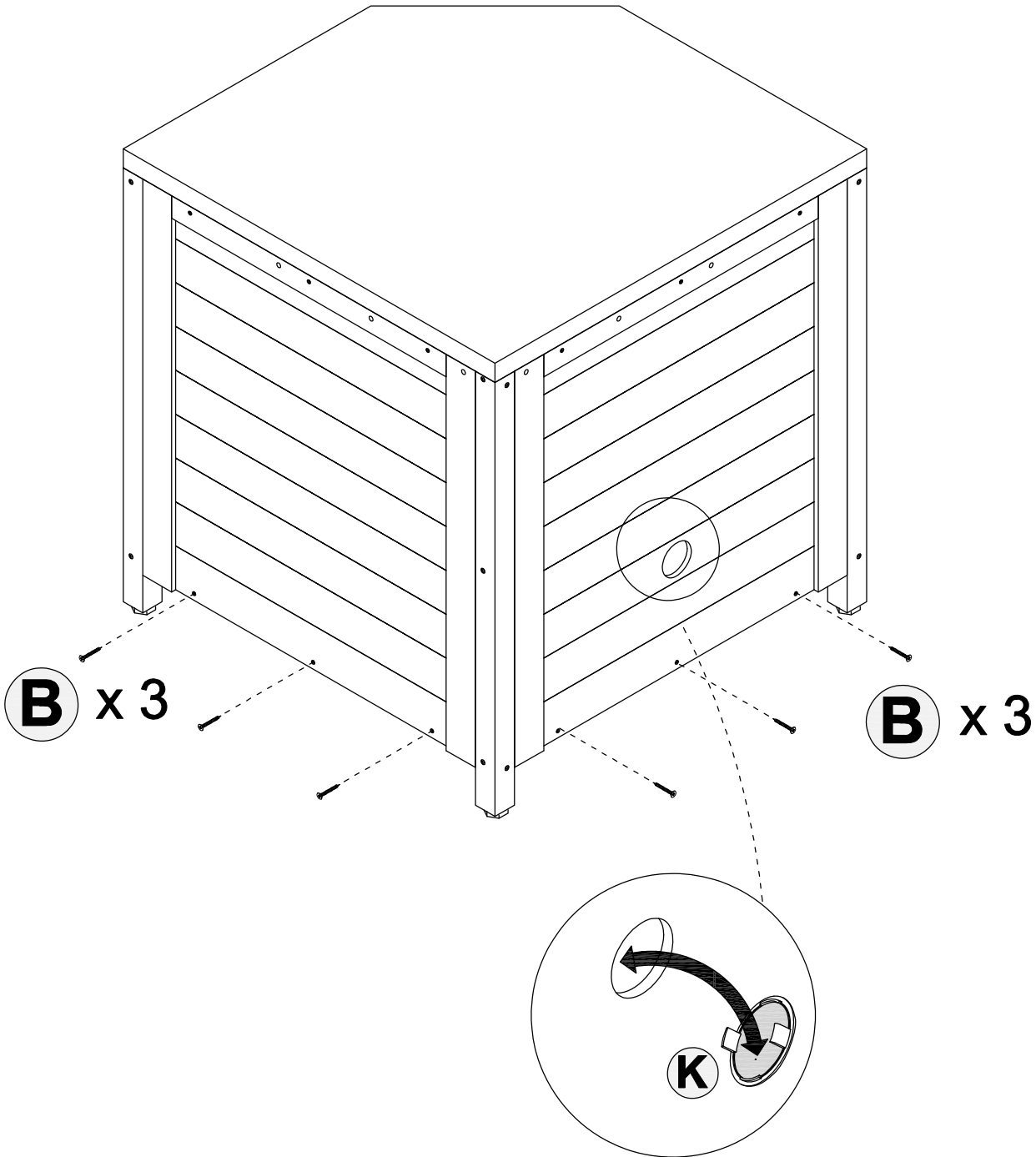
1. First, use hardware M to pass through components 63 and 64 and install them with their faces facing the lead holes

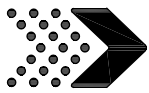


1. After aligning components 63 and 64, install the holes below with hardware B
2. Install hardware K into the ventilation hole

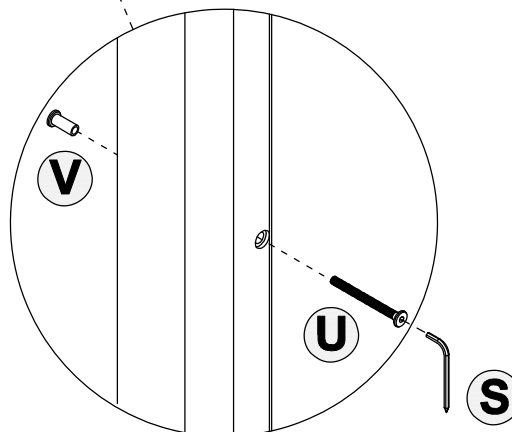
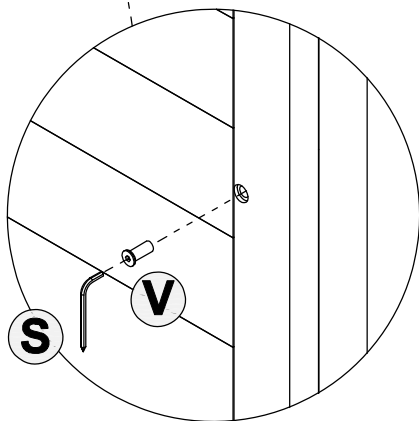
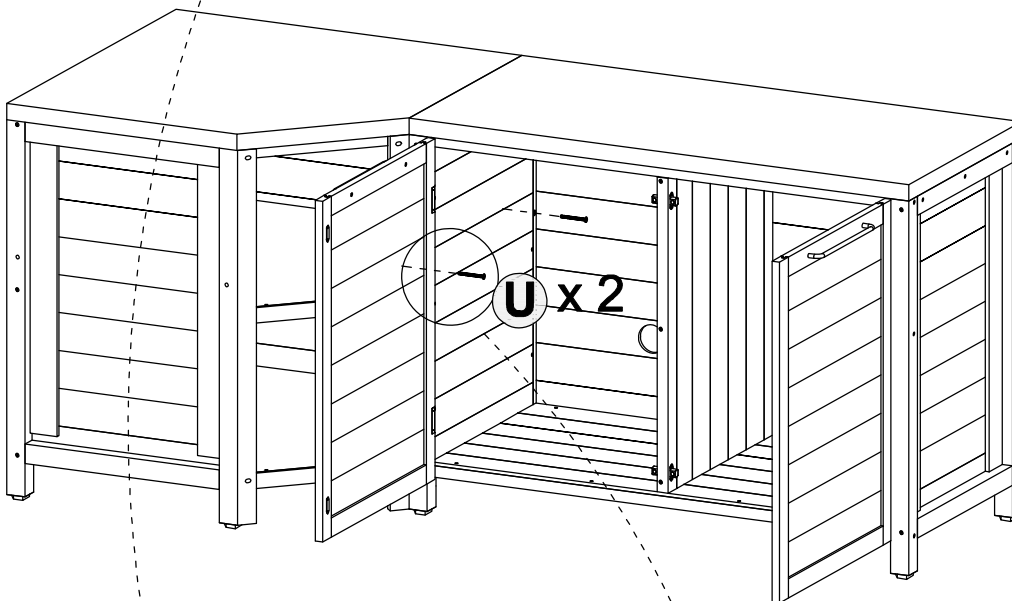
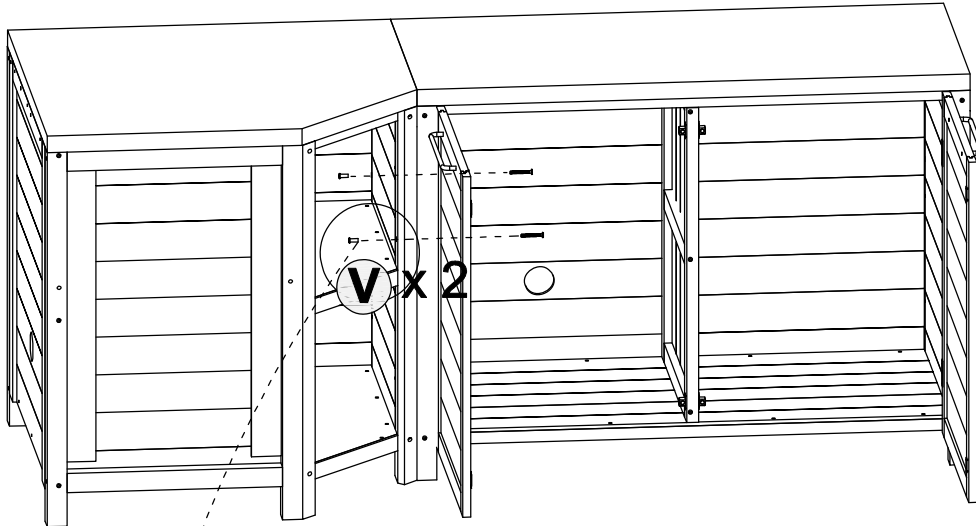
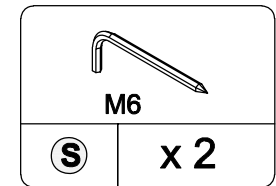
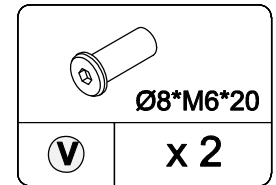
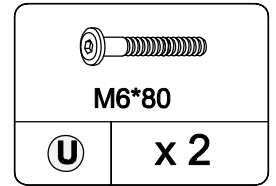
	
M4*25	
<b>B</b>	x 6

	
<b>K</b>	x 1





1, First, place hardware V into the hole and use tool S to connect hardware U with hardware V



# WARRANTY

## WARRANTY CLAIMS

- There is a 30-day warranty for broken furniture or any other problems that do not work properly. The warranty will start from the date of purchase which must be verified by proof of purchase.
- Before making a claim, we may be able to answer your query, simply call us. Please leave your purchase order number, along with some details of the problem, if you want a replacement part. We will arrange within 48 hours. If there is out of stock, we will reply with a shipping date.
- The product must be used in accordance with the instructions provided. For health reasons.
- For other reasons, if the furniture needs to be returned, it must be cleaned and dried and operated within 30 days of receipt.

## Type of Warranty Claim

- Failure to follow the furniture instructions will invalidate the warranty. Attention please.
- Does not include damage during installation, but includes damage during transportation.

## Scope of responsibility

- Shall not bear any responsibility for misuse or user damage and / or loss of parts during the installation of furniture.
- After using, the damage and scratches of the furniture are not covered by the warranty.

## The Warranty Relates to All Bought in The Us and Covers The Following Areas

- Sheet parts: 1 month from the date of purchase.
- Electrical parts: 1 month from the date of purchase.

# RETURNS

## CHANGED YOUR MIND AND NEED TO RETURN YOU ITEM?

### PLEASE FOLLOW THE BELOW INSTRUCTIONS:

- If you have purchased and have simply changed your mind, follow the retailer's instructions for returns.

### DEFECTIVE ITEMS

- If your item is defective in any way, i.e. it doesn't work but you can't identify why, in the first instance, please call us.

### DAMAGED ITEMS

- If you receive an order with obvious shipping damage from the retailer, then we suggest the delivery is refused. If the delivery has been accepted and then shipping damage is found, please follow the specific instructions advised by the retailer.  
In all circumstances please save all packaging material and paperwork for the order. Please be aware that if you dispose of packaging material or attempt to return the merchandise without contacting the fulfiller, you jeopardise your chances of making a claim, and you may not receive a credit for the return.

### AFTER-SALES CONTACT



adelahu@fufugaga.com



208-820-0068  
208-820-0799