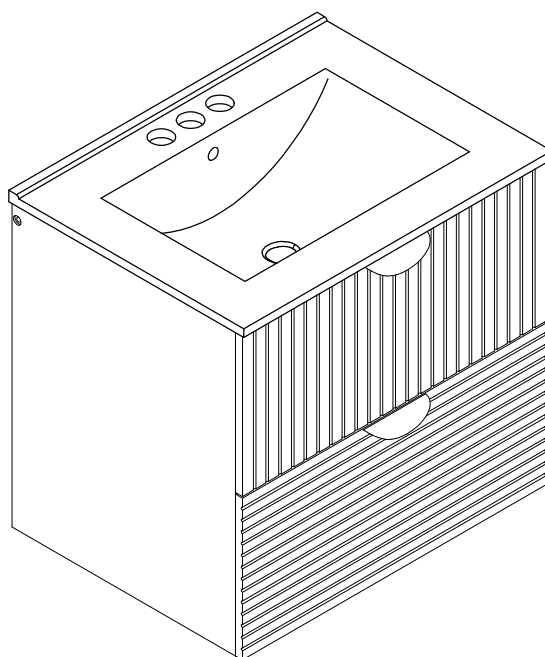


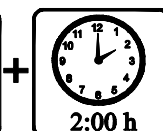
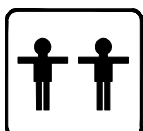
ASSEMBLY INSTRUCTIONS

24 INCH BATH VANITY (COMBO)

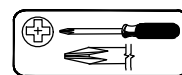


Thank you for purchasing this quality product. Be sure to check all packing material carefully for small parts which may have come loose inside the carton during shipment. Separate, identify and count all parts and hardware. Compare with the parts list to be sure all parts are present.
"DO NOT TIGHTEN SCREWS UNTIL COMPLETELY ASSEMBLED"

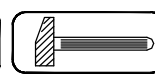
*** Use of power tool to assemble this product will invalidate any claim and damage this product making unsafe !!!**
*** Please assemble on a clean soft surface to avoid damage.**



Tools Required



(Not included)



(Not included)

IMPORTANT:

PLEASE READ INSTRUCTION BEFORE STARTING THE ASSEMBLY

Before Installation

Important - Please read these instructions fully before starting assembly

Thank you for purchasing this quality product. Be sure to check all packing materials carefully for small parts, which may have come loose inside the carton during shipment. Identify and count all items according to the PARTS LIST and/or HARDWARE LIST shown below. Check you have all the components and tools listed on the following pages.

- . We recommend that you assemble this product with the assistance of another person; this will make the assembly easier, and will help eliminate damage to the product or injury to persons during assembly.
- . Please do not over tighten screws or bolts until the assembly is completed.
- . Keep children and animal away from the work area, small parts could choke if swallowed.
- . Please put all parts on a non-abrasive floor before assembly, and follow the assembly steps to assemble your newly purchased product correctly and efficiently.

If you find that you have any trouble with assembly or missing or damaged parts please contact the seller.

Cam Lock Assembly Instructions

		Diagram A Insert Cam Bolt into hole as shown in diagram A.
		Diagram B Make sure not to insert the Cam Bolt too deep as shown in figure B as this will cause the Cam Lock to be misaligned and unable to interlock properly.
		Diagram C Also avoid inserting the Cam Bolt too close to the surface of the hole as shown in figure C, as this will cause the Cam Lock to be too loose, and not interlock properly.
		Connect the panels together.
		ARROW SIGN Insert the Cam Lock so the side opening fits over the head of the Cam Bolt.
		To tighten the Cam Lock, turn it clockwise on half a turn with a flat screwdriver. <i>*Do not use an automatic screwdriver as it may bend or break if too much power is imposed.</i>

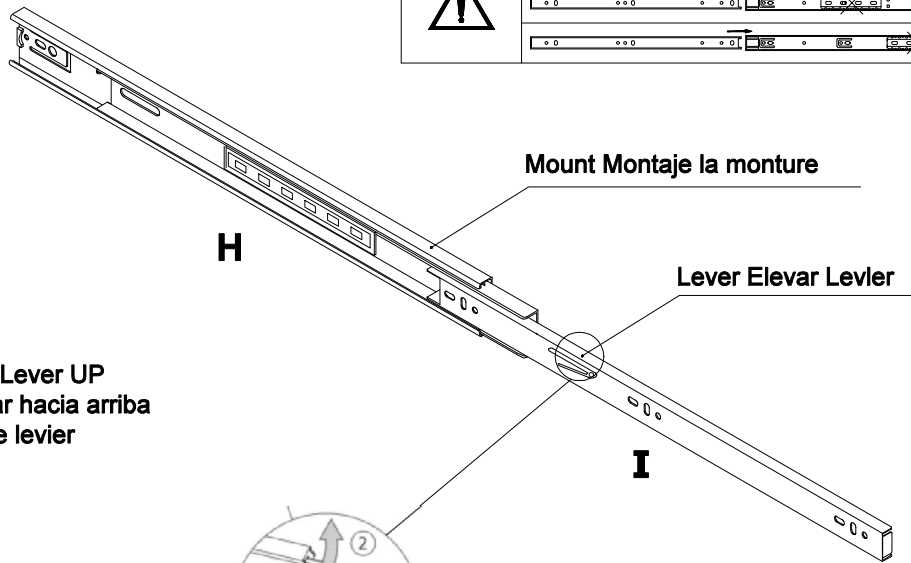
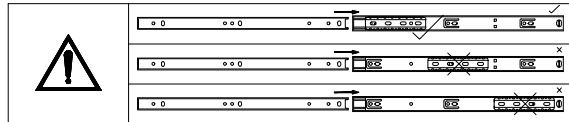
**Slides Must Be Separated Before Assembly.
After Separated, Set Aside Until Needed for Assembly.**

Las diapositivas deben separarse antes del montaje.
Después de la separación, déjelo a un lado hasta que sea necesario.

Les glissières doivent être séparées avant l'assemblage.
Après la séparation, mettez de côté jusqu'au moment de l'assemblage.

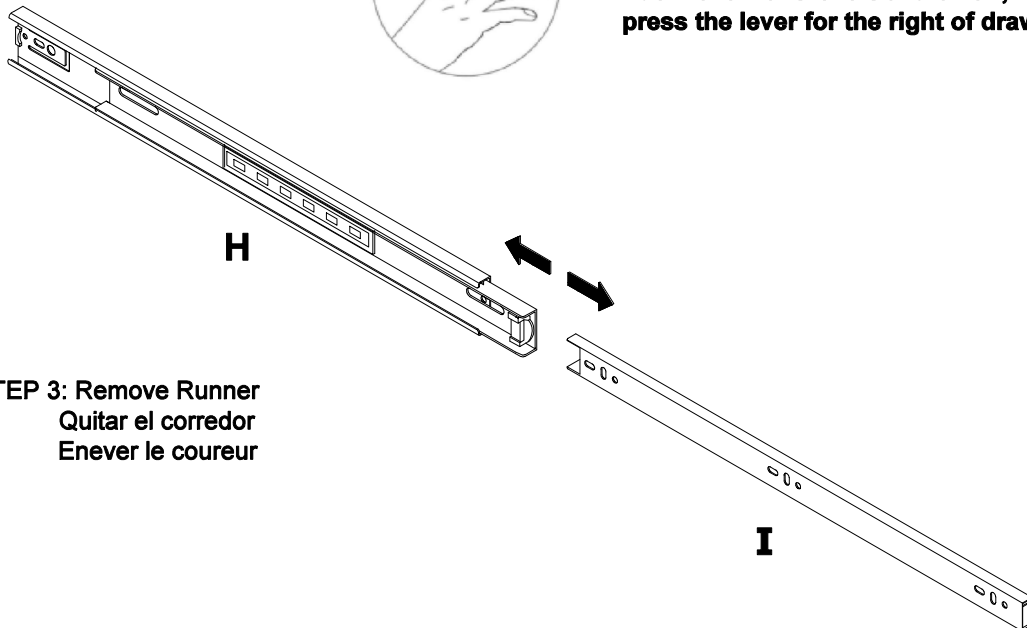
**Pay attention when connecting !
The sliding module must be at the front end.**

**STEP 1 : Extend Slide
Extender la diapositiva**



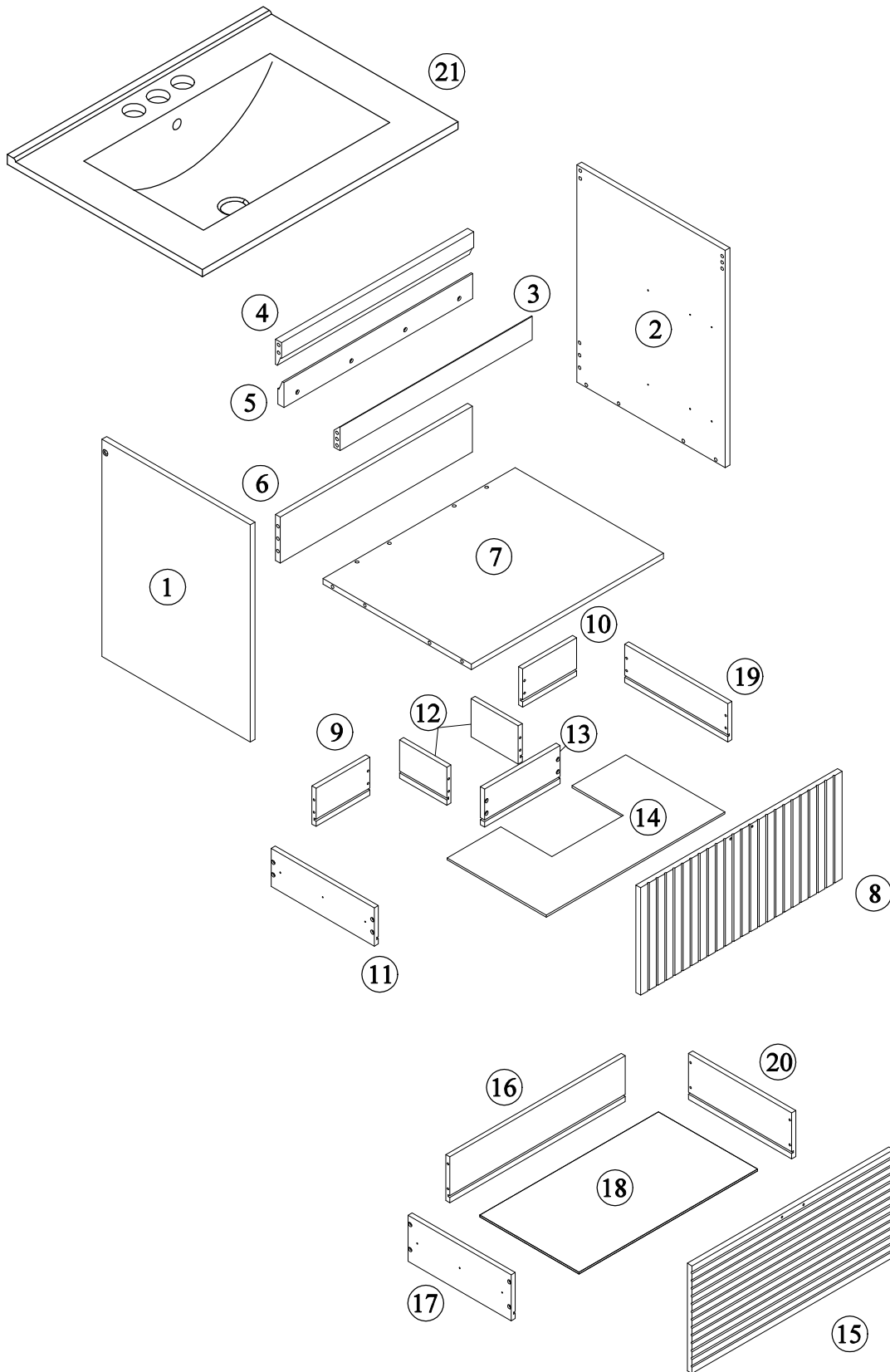
**STEP 2: Push Lever UP
Empujar hacia arriba
Lever le levier**

**Push lever for the left of drawer ,
press the lever for the right of drawer.**



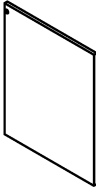



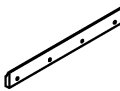
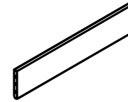
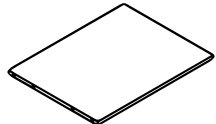
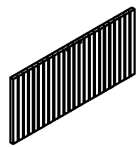
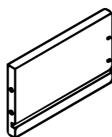
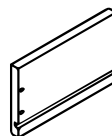
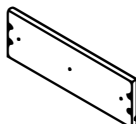
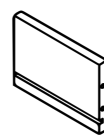
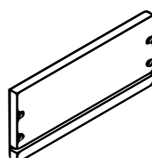
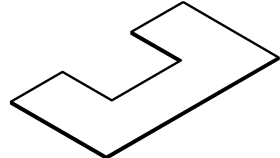
**STEP 3: Remove Runner
Quitar el corredor
Enlever le coureur**

Detail View - CABINET

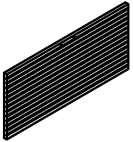
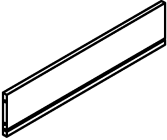
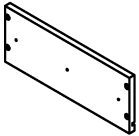
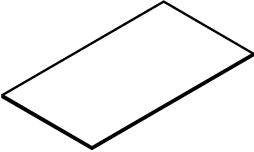
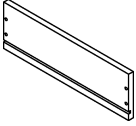
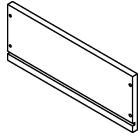
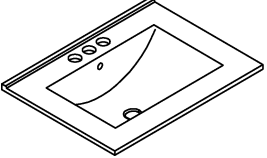


Identifying the Hardware-Identify the hardware using the illustrations below.



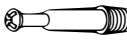





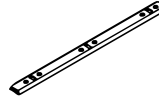





Part List

<p>1</p>  <p>Side Panel (L) - 1pc</p>	<p>2</p>  <p>Side Panel (R) - 1pc</p>
<p>3</p>  <p>Front Crossbar Top - 1pc</p>	<p>4</p>  <p>Rear Crossbar Top - 1pc</p>
<p>5</p>  <p>Connect Bar - 1pc</p>	<p>6</p>  <p>Rear Panel Bottom - 1pc</p>
<p>7</p>  <p>Panel Bottom - 1pc</p>	<p>8</p>  <p>Top Drawer Face - 1pc</p>
<p>9</p>  <p>Top Drawer Rear (L) - 1pc</p>	<p>10</p>  <p>Top Drawer Rear (R) - 1pc</p>
<p>11</p>  <p>Drawer Panel Side (L) - 1pc</p>	<p>12</p>  <p>Mid Drawer Side - 2pcs</p>
<p>13</p>  <p>Mid Drawer Panel - 1pc</p>	<p>14</p>  <p>Top Drawer Panel Bottom - 1pc</p>

Part List

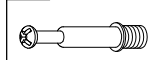
<p>15</p>  <p>Bottom Drawer Face - 1pc</p>	<p>16</p>  <p>Bottom Drawer Panel Rear - 1pc</p>
<p>17</p>  <p>Bottom Drawer Panel Side (L) - 1pc</p>	<p>18</p>  <p>Bottom Drawer Panel Bottom - 1pc</p>
<p>19</p>  <p>Drawer Panel Side (R) - 1pc</p>	<p>20</p>  <p>Bottom Drawer Panel Side (R) - 1pc</p>
<p>21</p>  <p>Sink - 1pc</p>	

Hardware List

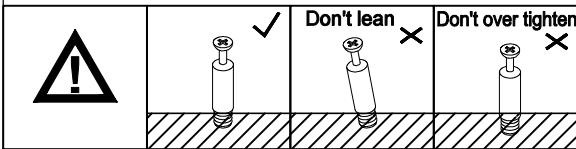
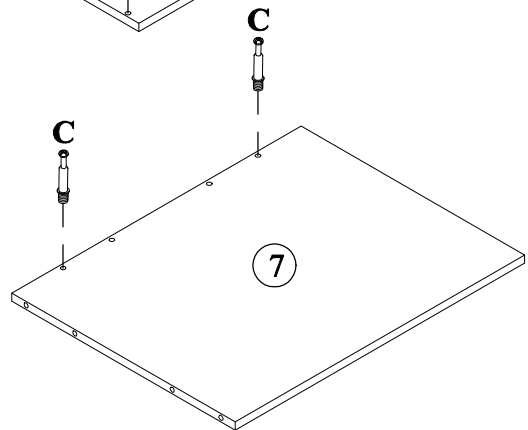
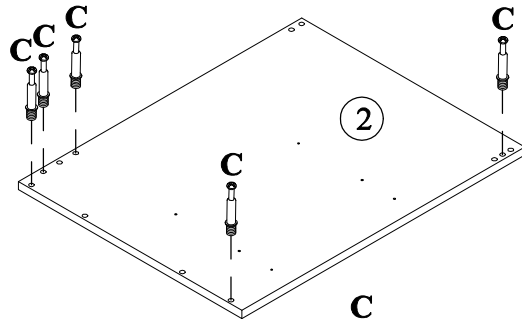
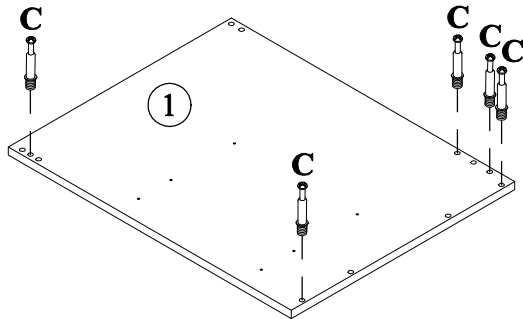
<p>A</p>  <p>ø13x1/4"x50mm Hex-Head bolts (2pcs)</p>	<p>B</p>  <p>ø10x13mm Horizontal-Hole bolts(2pcs)</p>	<p>C</p>  <p>ø6x35mm Three in one bolts (12pcs)</p>
<p>D</p>  <p>ø14.5x12mm Three in one lock (12pcs)</p>	<p>E</p>  <p>ø8xø4x32mm Round head screw (24pcs)</p>	<p>F</p>  <p>Handle (2pcs)</p>
<p>G</p>  <p>ø5/32"x15mm Handle screw (4pcs)</p>	<p>H</p>  <p>ø300x35mm Slide rails (4pcs)</p>	<p>I</p>  <p>ø298x18mm Slide rails (4pcs)</p>
<p>J</p>  <p>ø6xø3x12mm Flat head screw (24pcs)</p>	<p>K</p>  <p>ø8x30mm Wood dowel (14pcs)</p>	<p>L</p>  <p>ø10xø5x50mm Flat head screw - 4pcs</p>
<p>M</p>  <p>ø12x55mm Plastic stopper - 4pcs</p>	<p>N</p>  <p>4mm Allen key (1pc)</p>	

STEP: 1

C



12PCS



STEP: 2

H



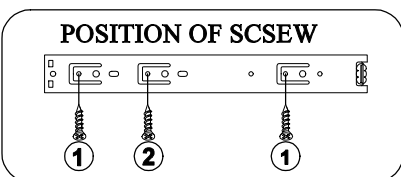
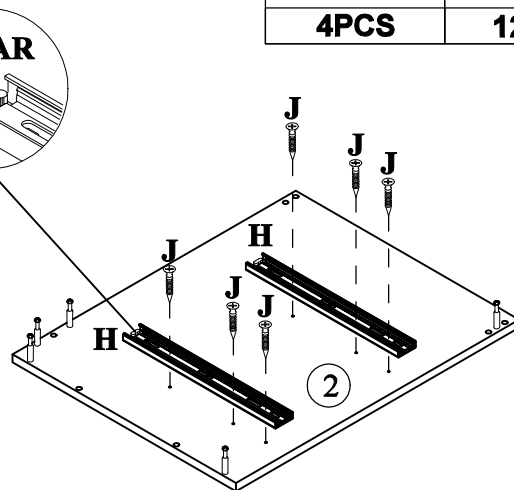
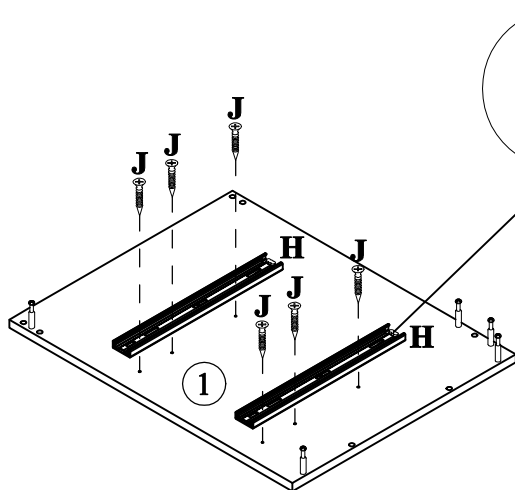
4PCS

J


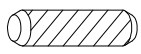


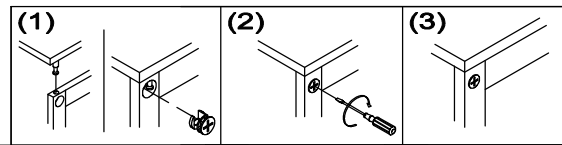
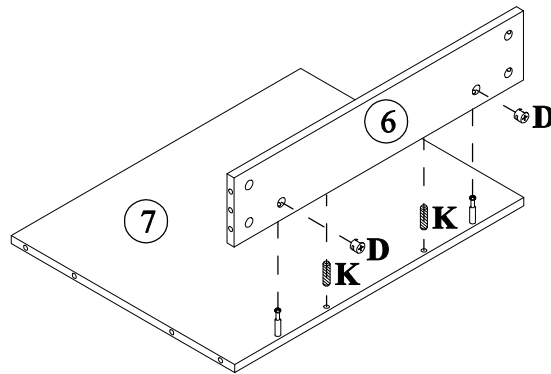
12PCS

REAR


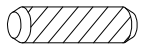


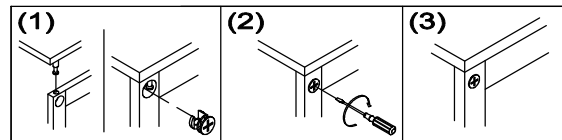
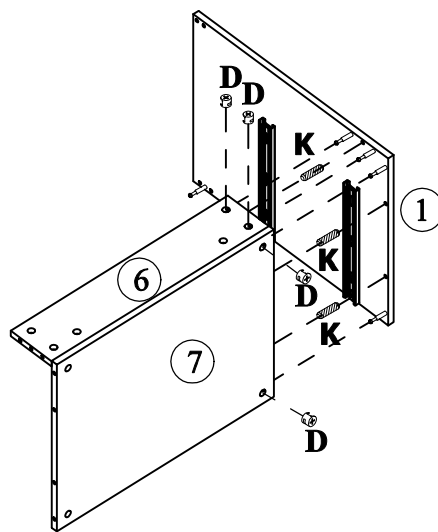
STEP: 3

D		K	
2PCS		2PCS	


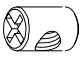




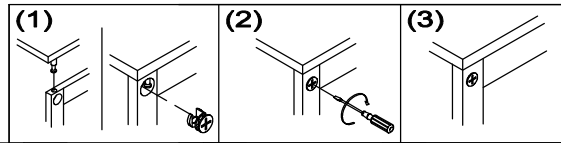
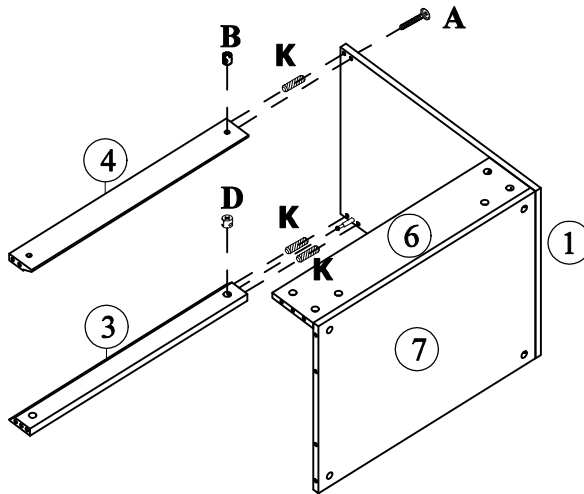
STEP: 4

D		K	
4PCS		3PCS	

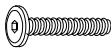
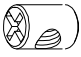




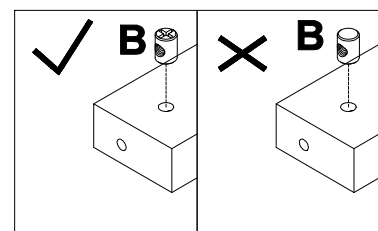
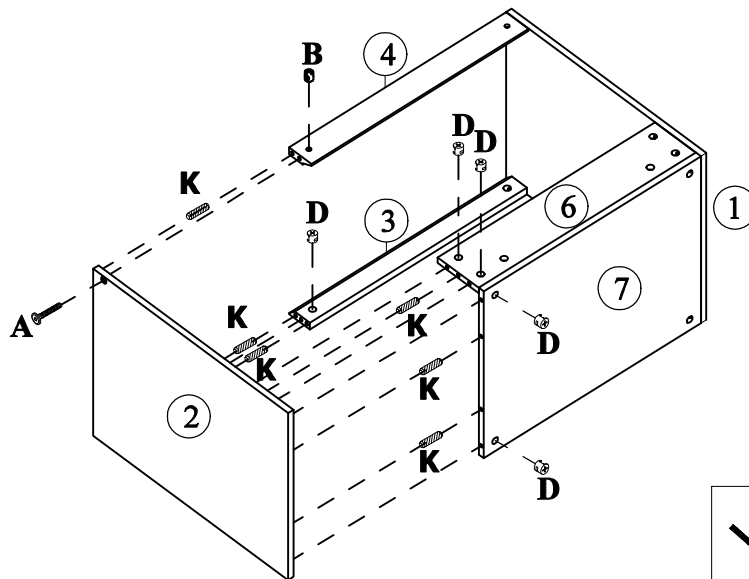
STEP: 5

A	B	D	K
			
1PC	1PC	1PC	3PCS

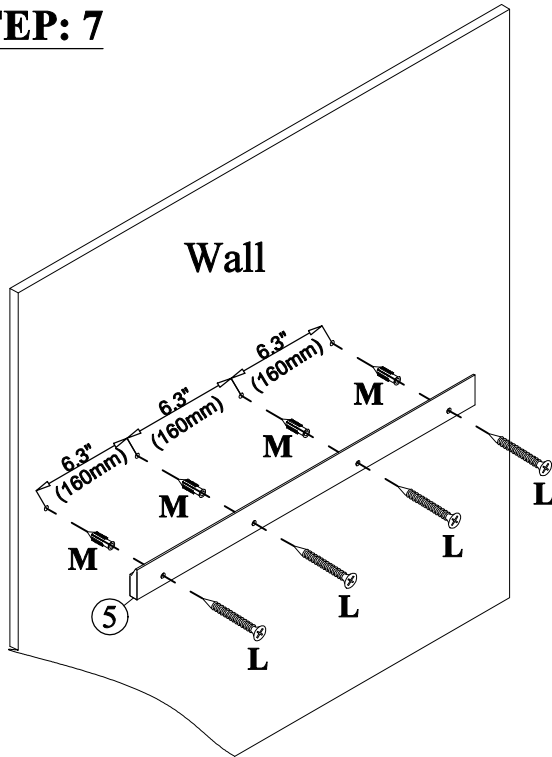




STEP: 6

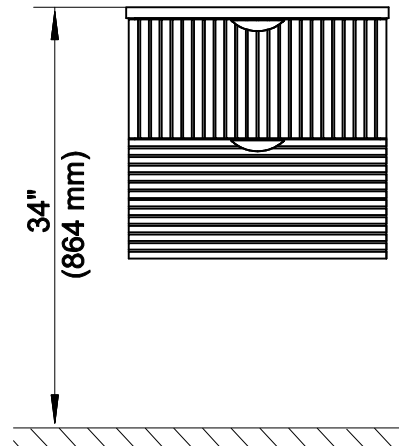
A	B	D	K
			
1PCS	1PCS	5PCS	6PCS



STEP: 7

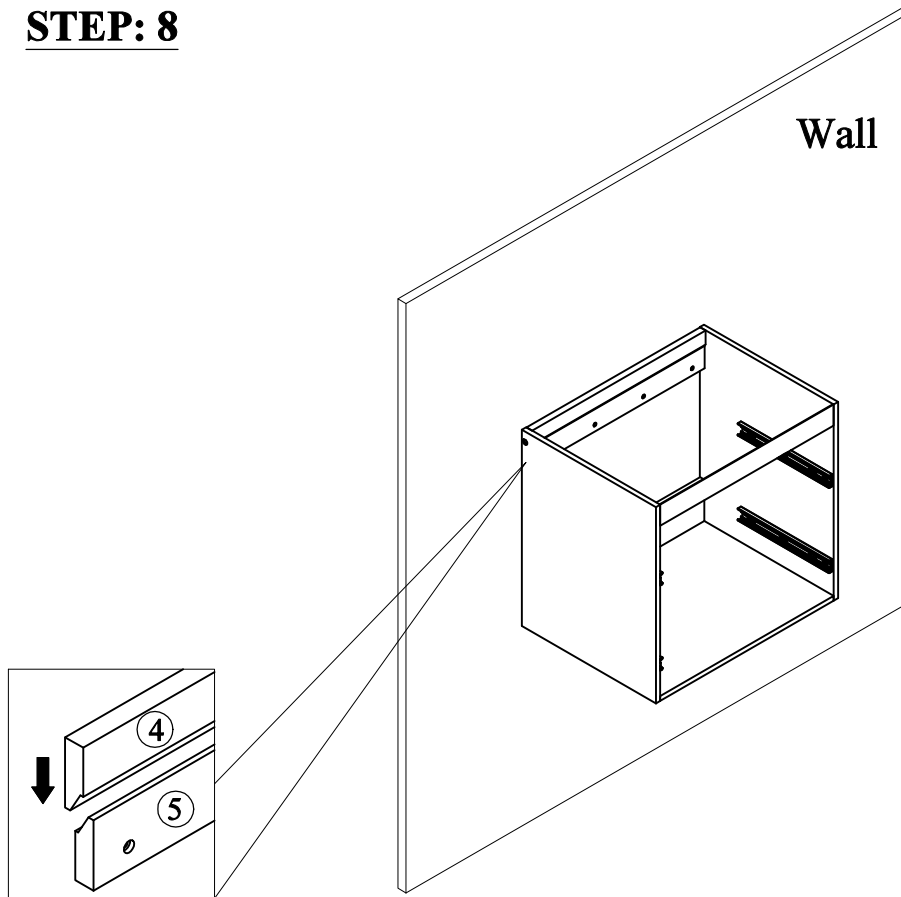


L		M	
4PCS		4PCS	



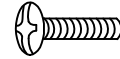
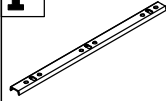
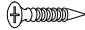


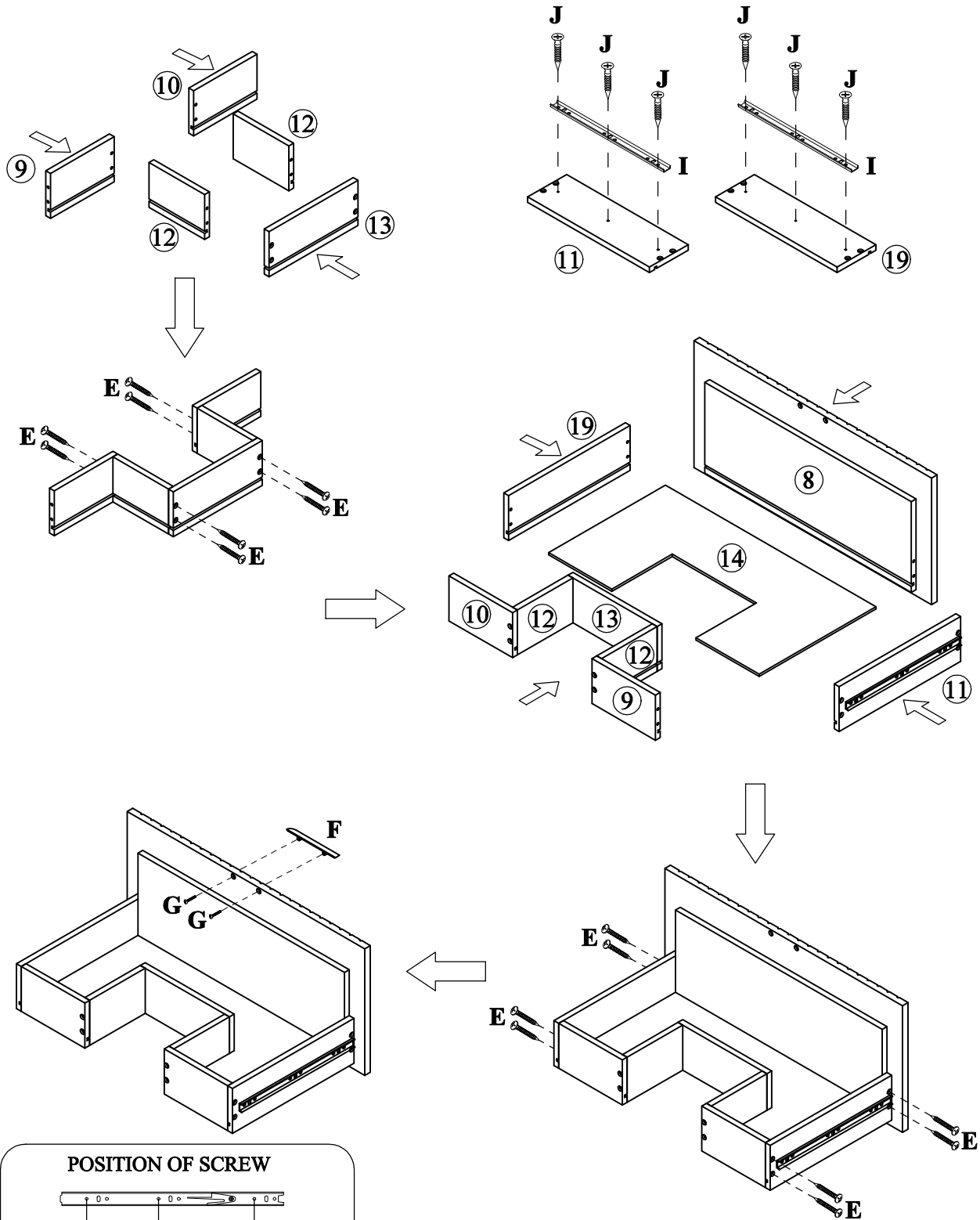
Draw the spacing between the walls and the No.5, punch holes in the wall, and fix the No.5 to the wall with screws.
Note: Appropriate distance from the top of sink to the ground is 34".

STEP: 8



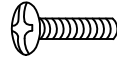
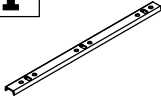
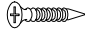


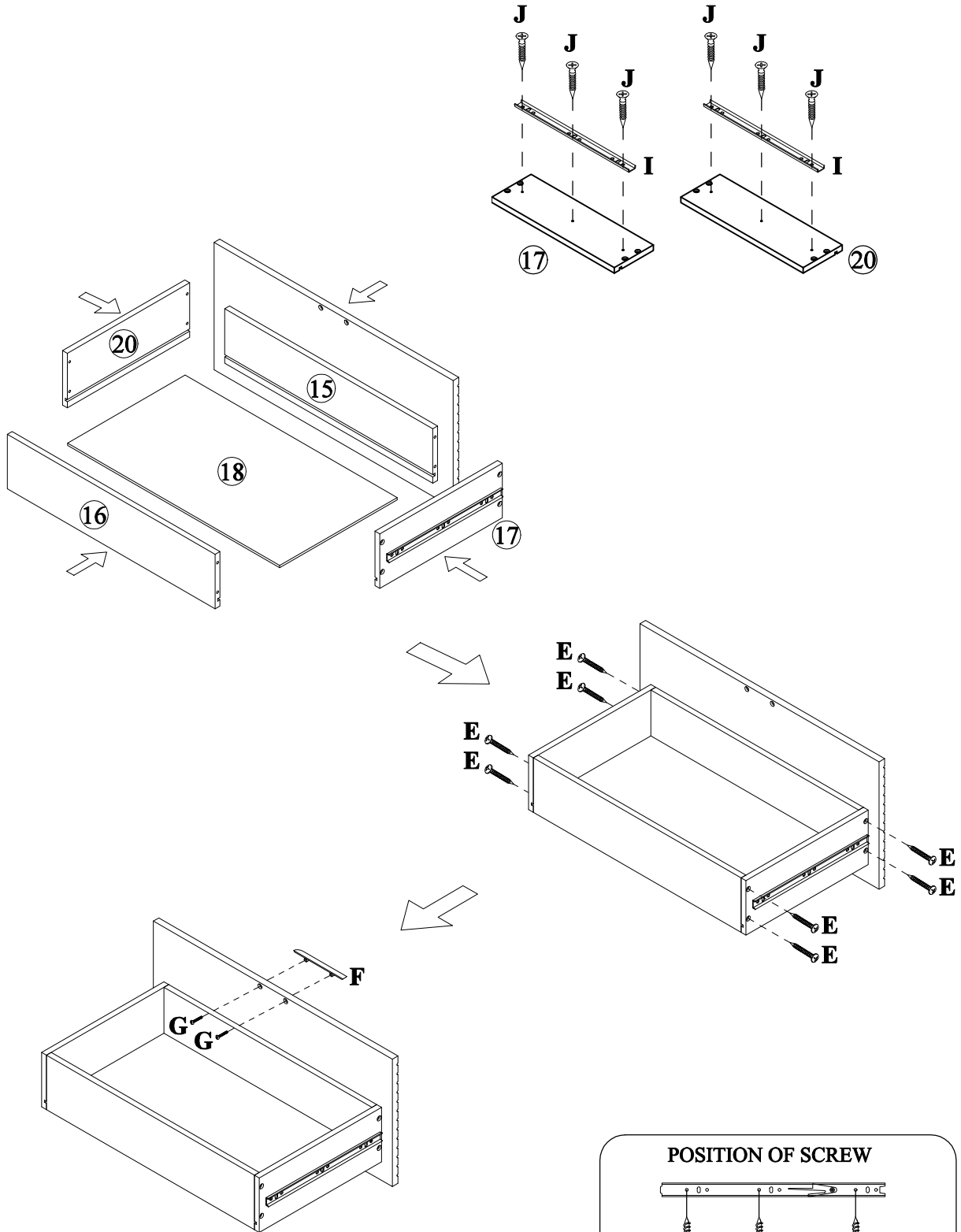
STEP: 9

E 	F 	G 	I 	J 
16PCS	1PC	2PCS	2PCS	6PCS

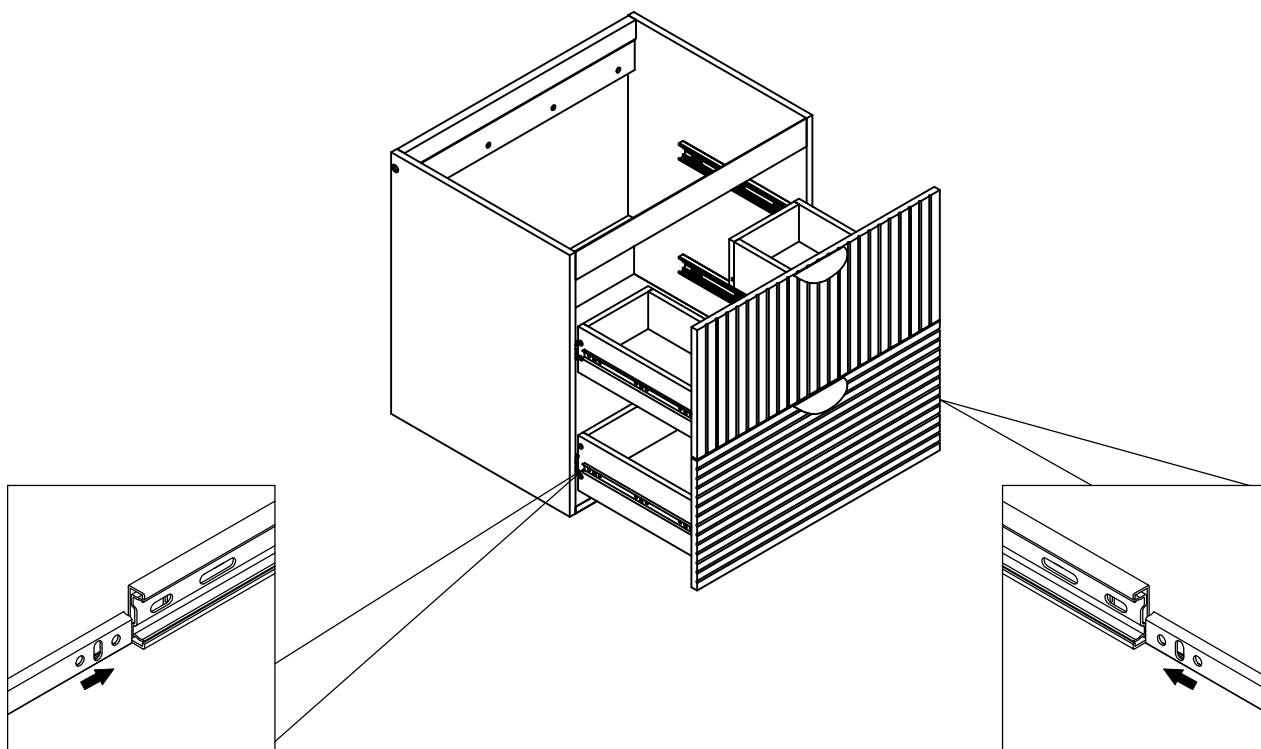


STEP: 10

E	F	G	I	J
				
8PCS	1PC	2PCS	2PCS	6PCS

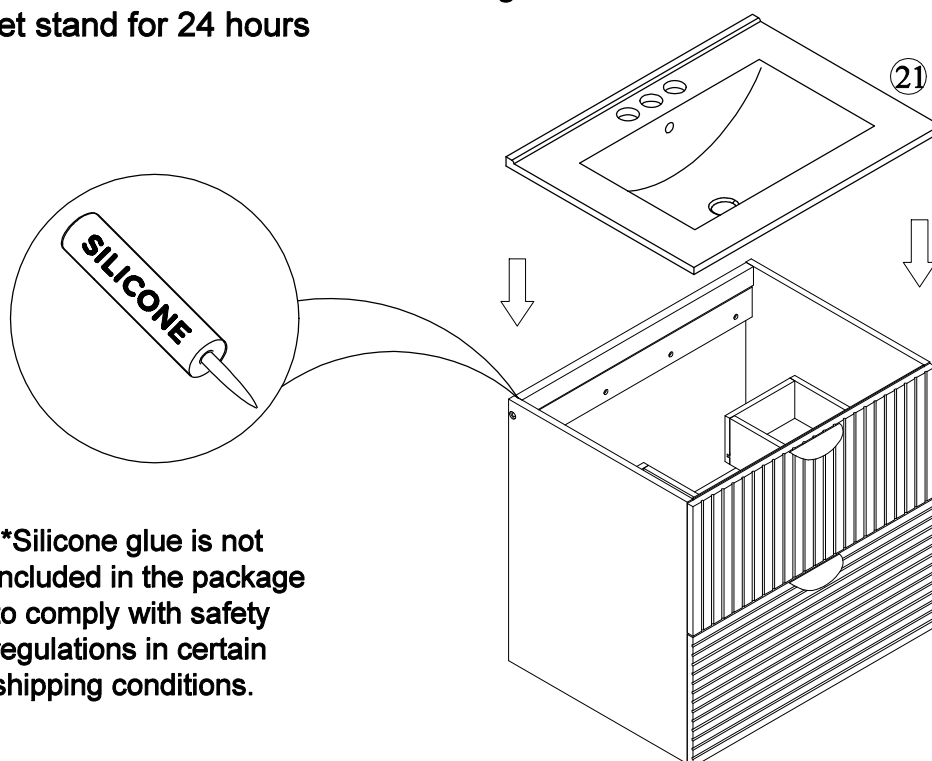


STEP: 11



STEP: 12

**Install the sink on the cabinet with glue.
Let stand for 24 hours**



STEP: 13

Wall

