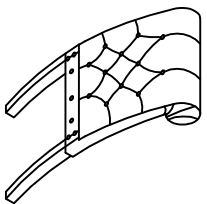
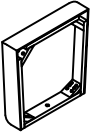
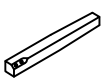




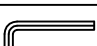
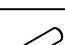
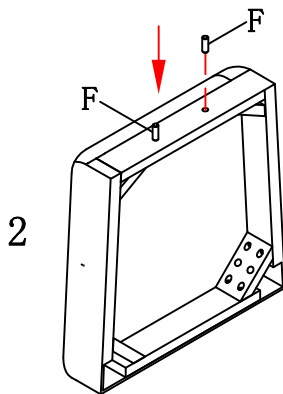


ASSEMBLY INSTRUCTION

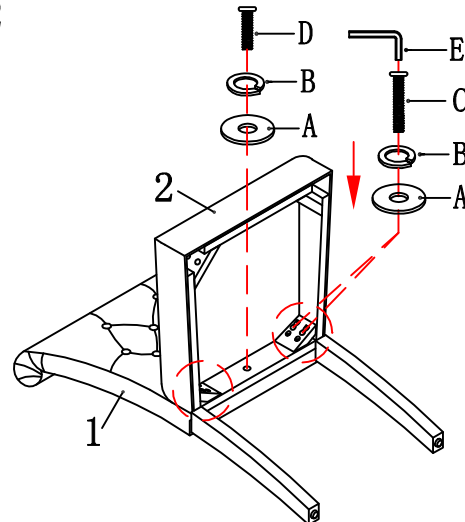
PARTS			
1		CHAIR BACK	1 Pc
2		SEAT	1 Pc
3		FRONT LEG	2 Pcs

HARDWARE LIST			
A		Ø5/16" x 22mm	9 Pcs
B		Ø5/16"	9 Pcs
C		Ø5/16" x 3-1/2"	4 Pcs
D		Ø5/16" x 2-1/4"	5 Pcs
E		Ø5 mm	1 Pc
F		Ø10 x 30mm	2 Pcs

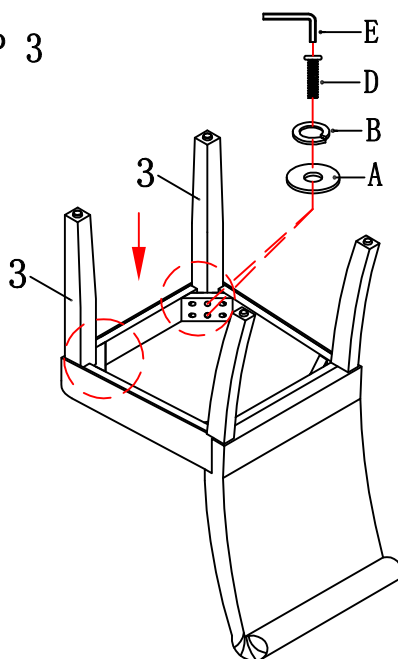
STEP 1



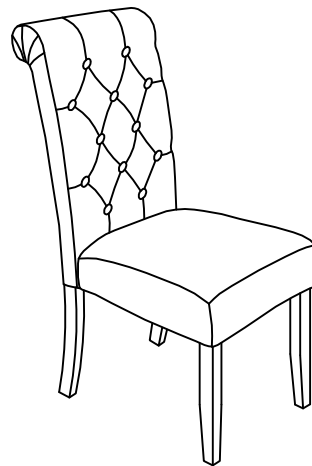
STEP 2



STEP 3



STEP 4



DO NOT TIGHTEN SCREWS UNTIL COMPLETELY ASSEMBLED