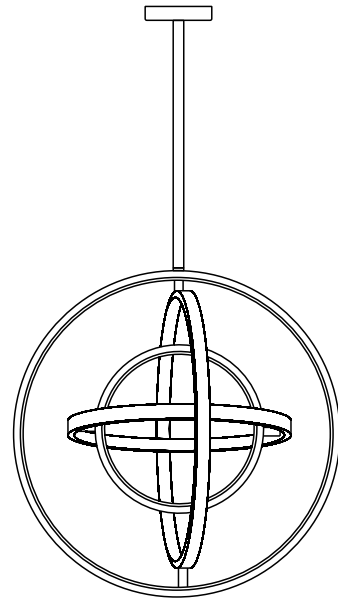
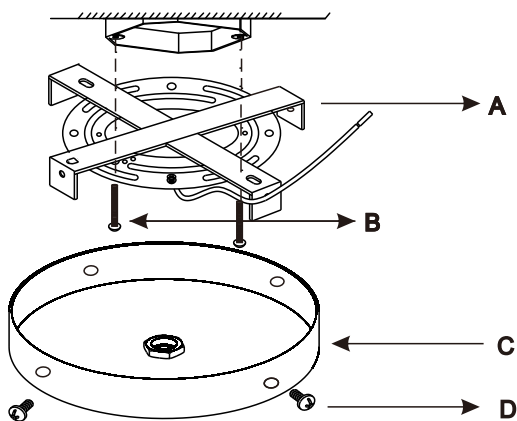


INSTRUCTIONS

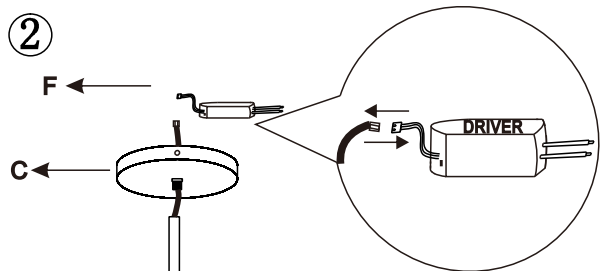


①

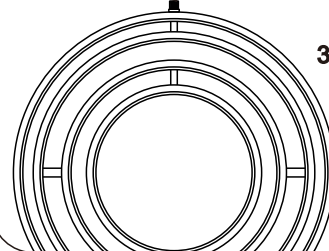


- Step1.**
- 1.Remove the Mounting Bracket(A) from Ceiling Canopy(C) by loosening Canopy Screws(D).
 - 2.Then Secure Mounting Bracket(A) to ceiling junction box by Mounting screw(B).

②



- Step2.**
- 1.Determine the desired length of the fixture and screw the Stems(E) together.
 - 2.Feed the fixture wire through the Stems(E) and Canopy(C) and screw the Stems(E) to the top of the fixture assembly, then screw the Canopy(C) to the top of the stem(E) assembly.
 - 3.Insert the fixture wire to the plug of Driver(F).



PLEASE READ INSTRUCTIONS IN THEIR ENTIRETY PRIOR TO ASSEMBLY AND INSTALLATION.

SAFETY PRECAUTIONS:

- a. Please carefully examine the cord, lamp holder, switch, and all other parts for damages. If any damage or defect is found, please return this fixture.
- b. Installing this fixture requires connecting electric wires, these connections must be in accordance with local and National Electrical Code(NEC) standards, we suggest hiring a licensed electrician to do this.
- c. Recommended for indoor use only, please keep this fixture away from water or moisture.
- d. Wipe clean using a soft, dry cloth or static duster. Always avoid the use of harsh chemicals and abrasives to clean fixture as they may damage the finish.

ASSEMBLY & INSTALLATION GUIDE

ITEMS YOU NEED

- a. Ladder
- b. Screwdriver
- c. Wire cutter/stripper
- d. Insulation tape

GETTING STARTED

- 1. Carefully unpack all accessories and parts.
- 2. Place all components on a clean, flat and soft surface to prevent parts from getting scratched.
- 3. Shut off your main electrical supply at the fuse box or circuit breaker. Just turning off the light switch is not sufficient to prevent electrical shock!

