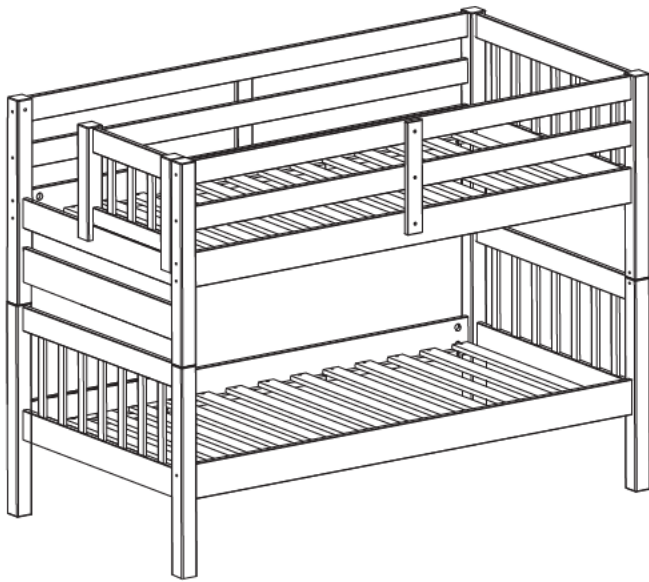


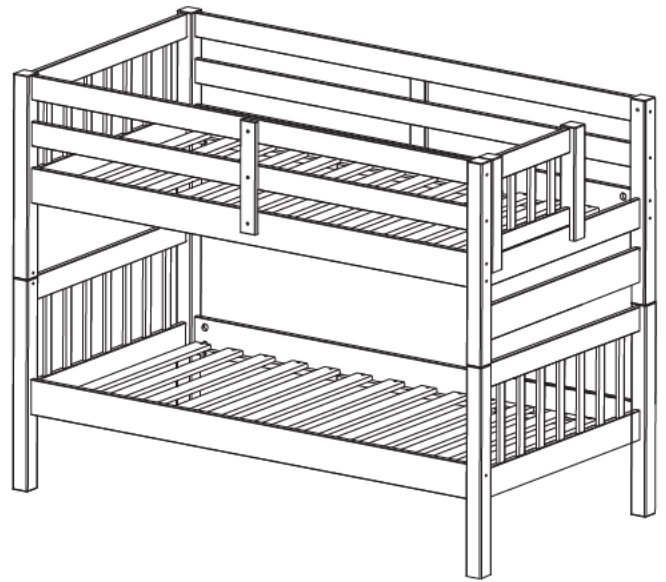
Twin over Twin Solid Wood Standard Bunk Bed with Stairs and 3 Step Drawers and Trundle

Assembly Instructions

LEFT



RIGHT



**READ THESE INSTRUCTIONS CAREFULLY BEFORE
ATTEMPTING TO ASSEMBLE THIS BED**

SAFETY WARNINGS AND GENERAL NOTES

- ✓ Follow the information on the warning labels on the upper bunk bed structure and on the carton. Do not remove warning label from the bed.
- ✓ Always use the recommended size mattress or mattress support, or both, to help prevent the likelihood of entrapment or falls.
- ✓ The top surfaces of the mattress must be at least 5" below the upper edge of the guardrails.
- ✓ **Do not** allow children under 6 years of age to use the upper bunk.
- ✓ **Prohibit** more than one person on the upper bunk.
- ✓ Periodically check and ensure that the guardrails, ladder and other components are in their proper position, free from damage, and that all connectors are tight.
- ✓ **Do not** allow horseplay on or under the bed. Always prohibit jumping on the bed.
- ✓ Always use the ladder for entering and leaving the upper bunk.
- ✓ **Do not** use substitute parts. Contact the manufacturer or dealer for replacement parts.
- ✓ Use of a night-light may provide added safety for a child using the upper bunk.
- ✓ If the bunk bed will be placed next to the wall, the guardrail that runs the full length of the bed should be placed against the wall to prevent entrapment between the bed and the wall.
- ✓ Always use guardrails on both long sides of the upper bunk.
- ✓ The use of a water or sleep floatation mattress is prohibited.
- ✓ Keep these instructions for future reference.
- ✓ We recommend assembling your bunk bed on the shipping carton to protect your floor or carpet. Be certain all staples are out of the box before beginning assembly on the shipping carton.
- ✓ **Strangulation Hazard** Never attach or hang items to any part of the bunk bed that are not designed for use with the bed for example, but not limited to hooks, belts, and jump ropes.

Pursuant to the Consumer Product Safety Improvement Act (CPSIA), Sec. 102, the manufacturer certifies compliance with the Consumer Product Safety Commission (CPSC) regulations listed below.

Product Information
BK 101 (Subway) / BK 101 EL (E-Inf Ladder)
SLINK BED
 Date of Manufacture: _____
 Made in Brazil
 Manufacturer: Sleep King LLC
 118110 Edison
 Arlington, TX 76011
 CPSC's Product Certificate # _____

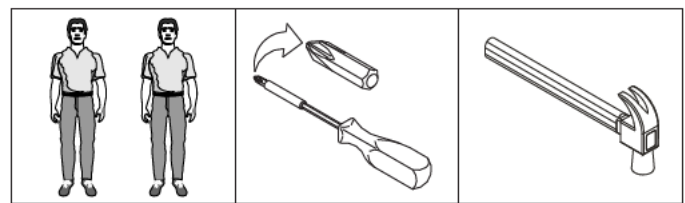
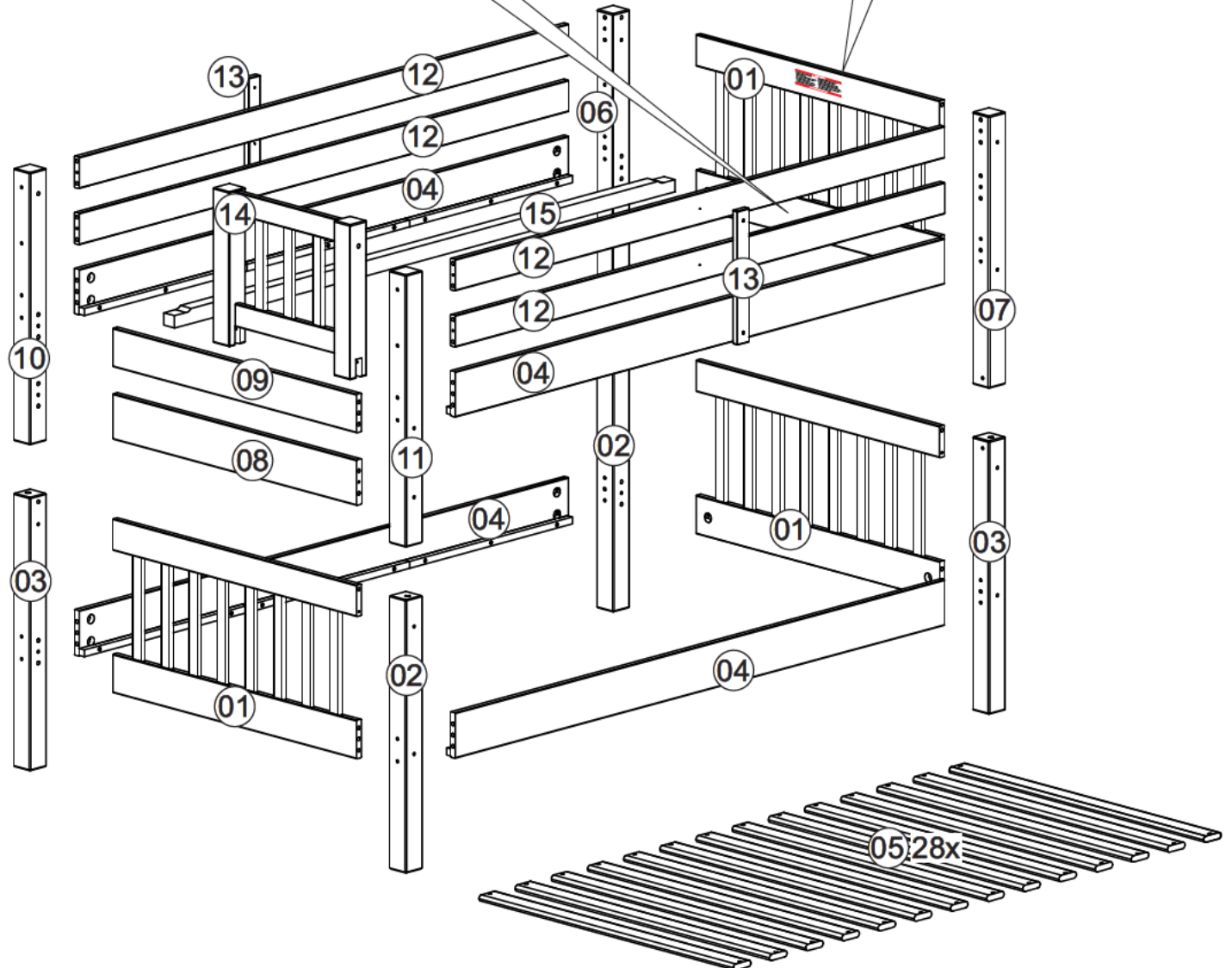
Safety Testing Information
 Testing performed at one or more of the following independent testing locations:
 Consumer Testing Laboratories Inc. 300 West Ford Street
 P.O. Box 1084
 Burlington, NC 27215
 Date: January-April 2014
 November 2014
 March 2014
 Testing Location: _____
 Approval: _____
 Date of Test: _____
 Regulation: 16 CFR 1303a
 16 CFR 1303
 ASTM F 1487-13
 16 CFR 1303 and 16 CFR 6033

WARNING

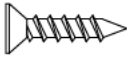
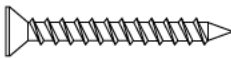
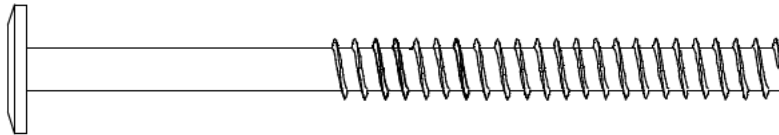

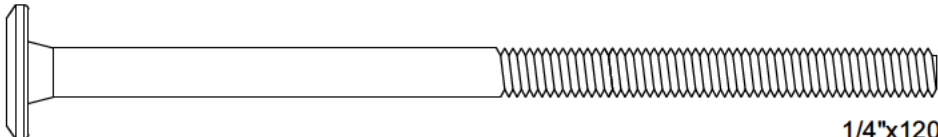

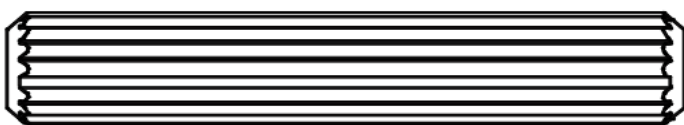
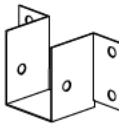

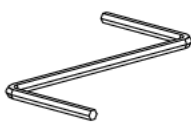
To help prevent serious or fatal injuries from entrapment or falls:
 - Never sit or sleep under or on top of upper bunk.
 - Use any mattress which is 74" 75" original 33 1/2" 38 1/2" wide on upper bunk.
 - Use any mattress which is 74" 75" original 33 1/2" 38 1/2" wide on lower bunk.
 - Ensure thickness of mattress and foundation combined does not exceed 12" and mattress is at least 2" below upper edge of guardrail.

Use guardrails on both sides of upper bunk.
 Prohibit horizontal or under bed (4).
 Prohibit more than one person on upper bunk.
 Use ladder for entering and exiting upper bunk.
STRANGULATION HAZARD - Never sit, stand or hang from any part of this bunk bed that are not designed for use with the bed, for example but not limited to hooks, knobs and trim pieces.

DO NOT REMOVE THIS LABEL.

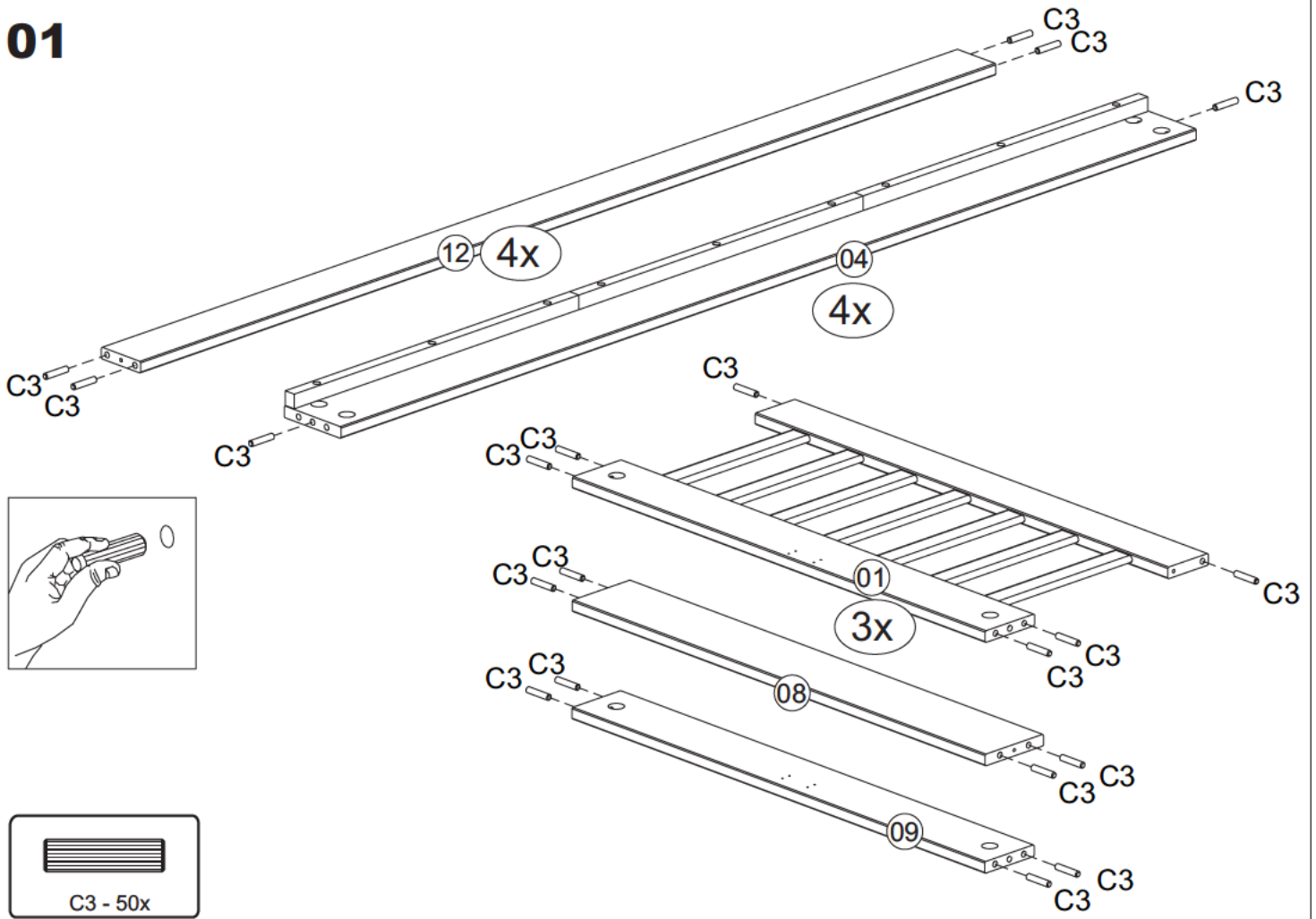


SCREWS ARE SHOWN IN ACTUAL SIZE

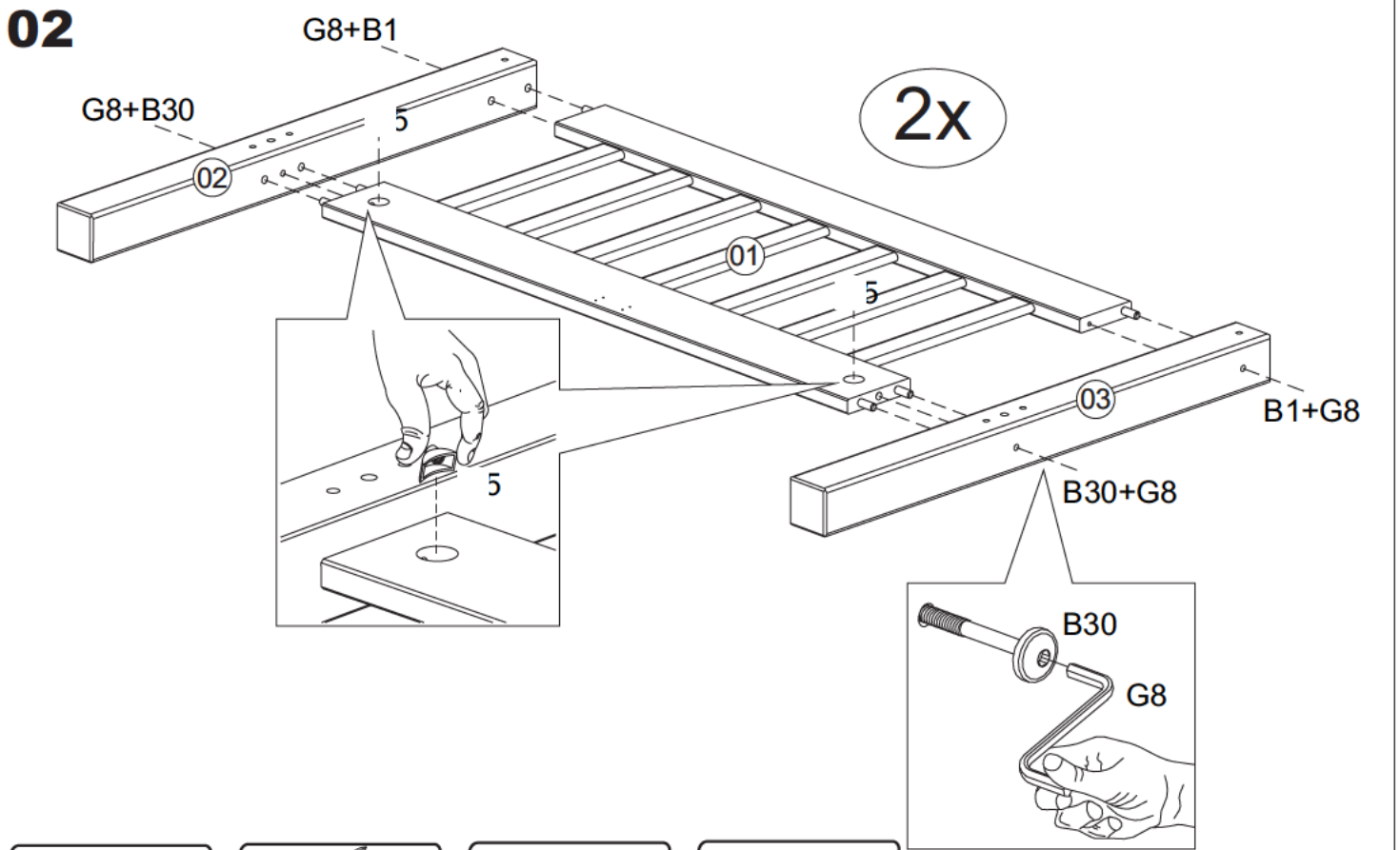
		Qty.	Extra
A5	 3,5x16	12	
A10	 3,5x30	74	
B1	 7,0x100	16	+2
B5	 1/4"	24	+2
B30	 1/4"x120	24	+2
C3	 10x40	51	+2
C5	 15x90	4	
D13		2	
G4	 space block	2	
G8		1	

WARNING - CHOKING HAZARD
To be Assembled by Adults only!
Small parts can be a choking hazard for children

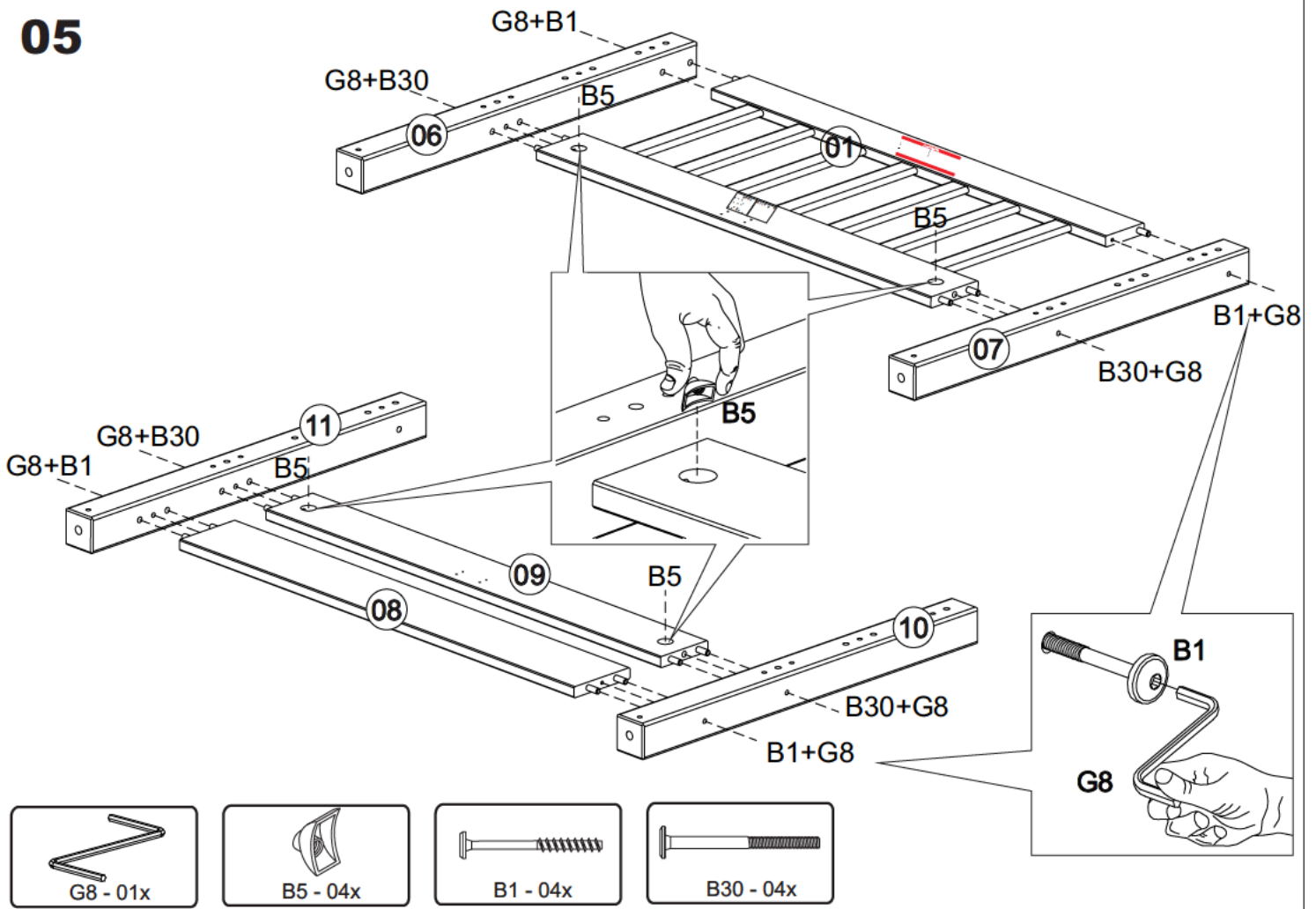
01



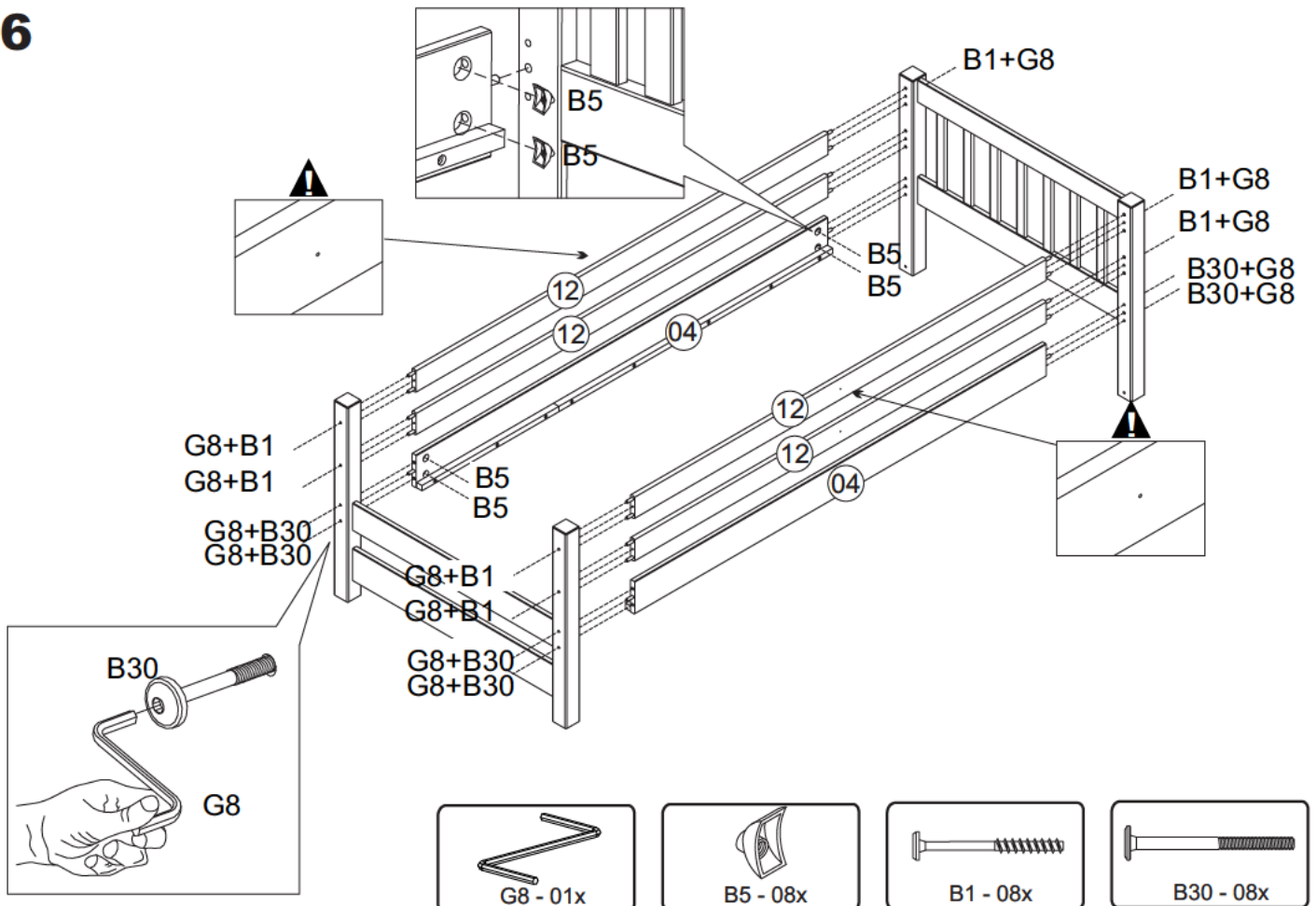
02



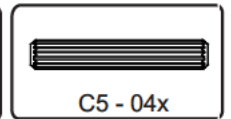
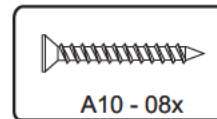
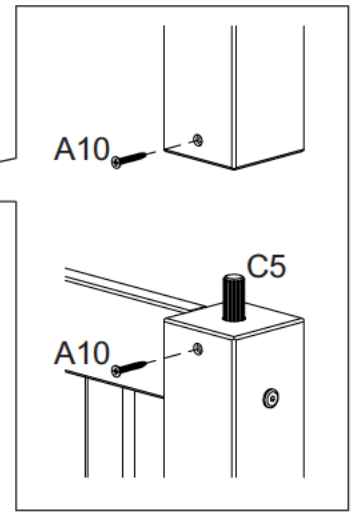
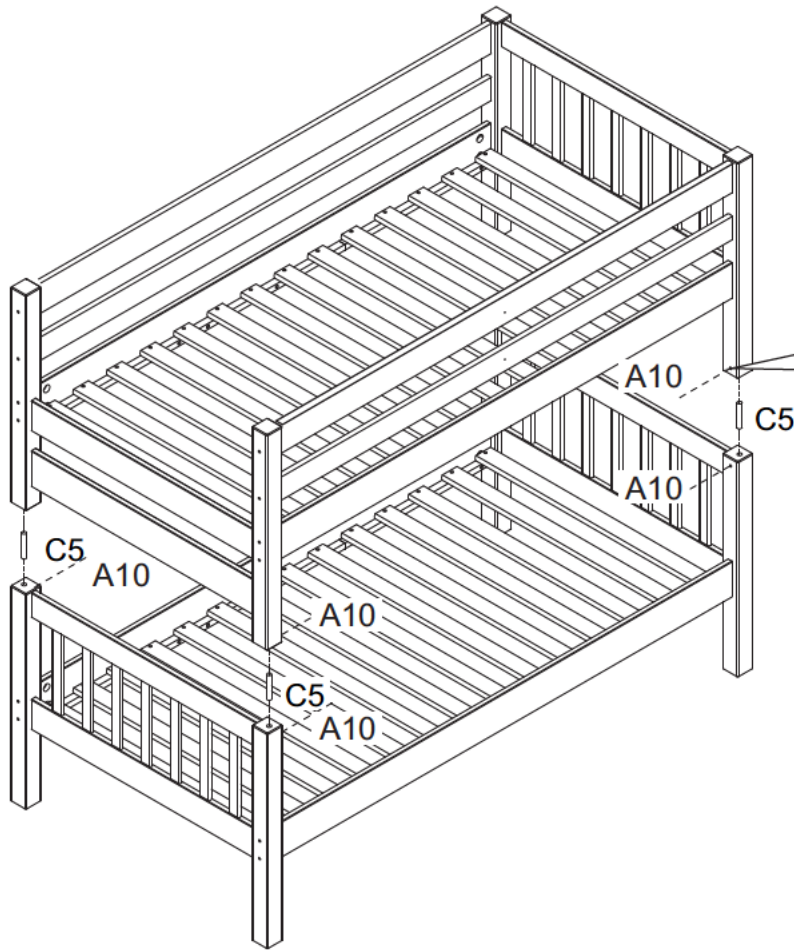
05



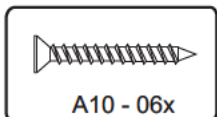
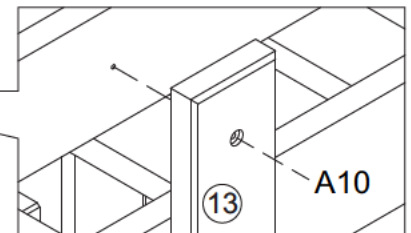
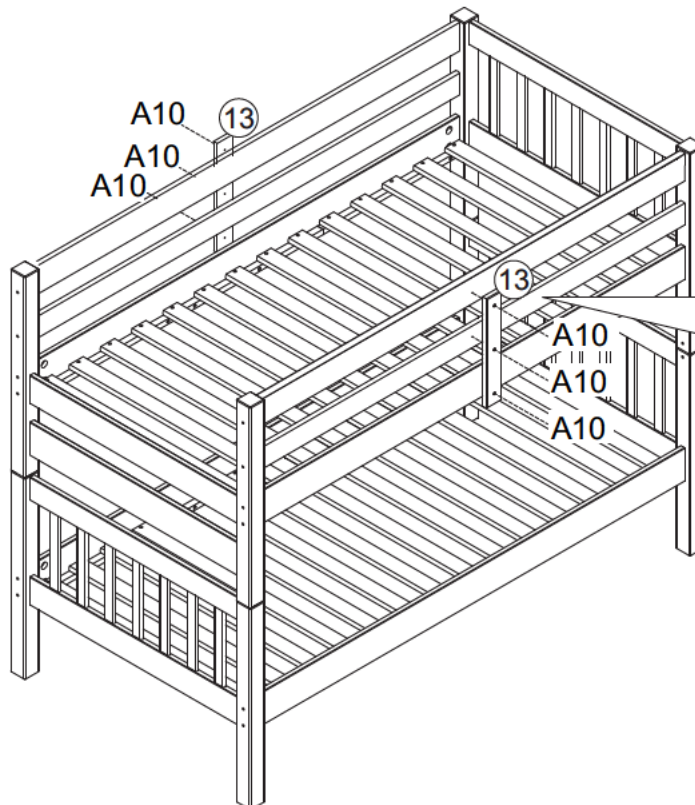
06



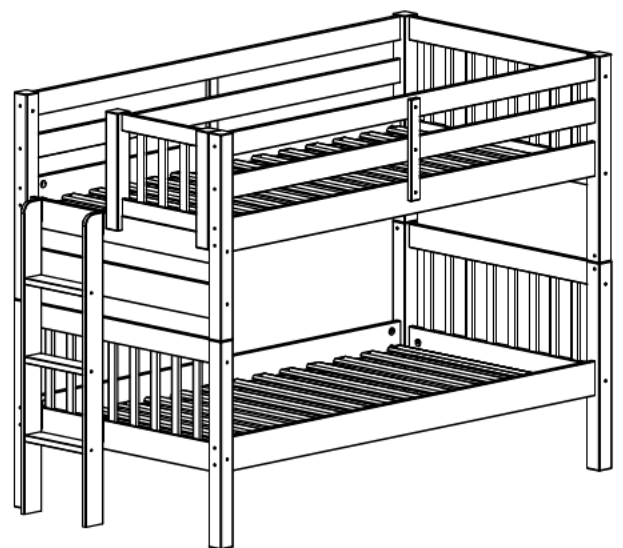
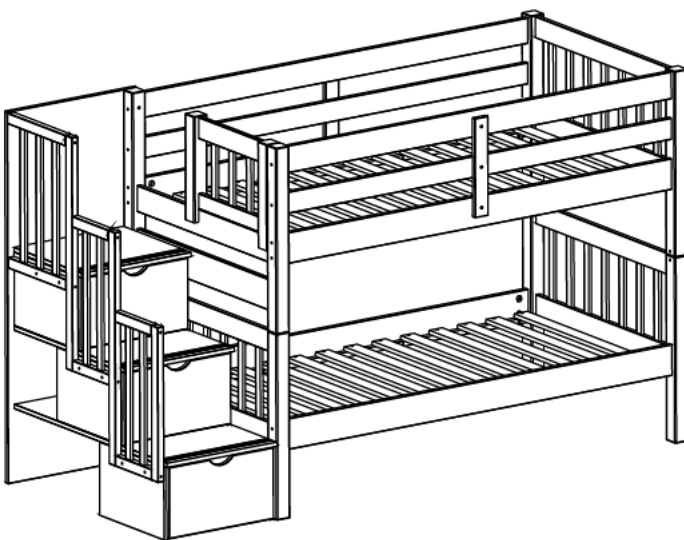
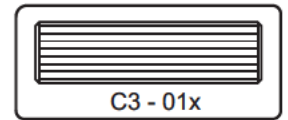
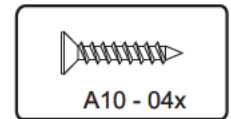
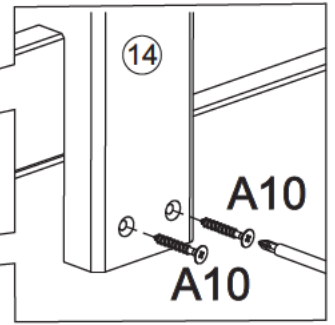
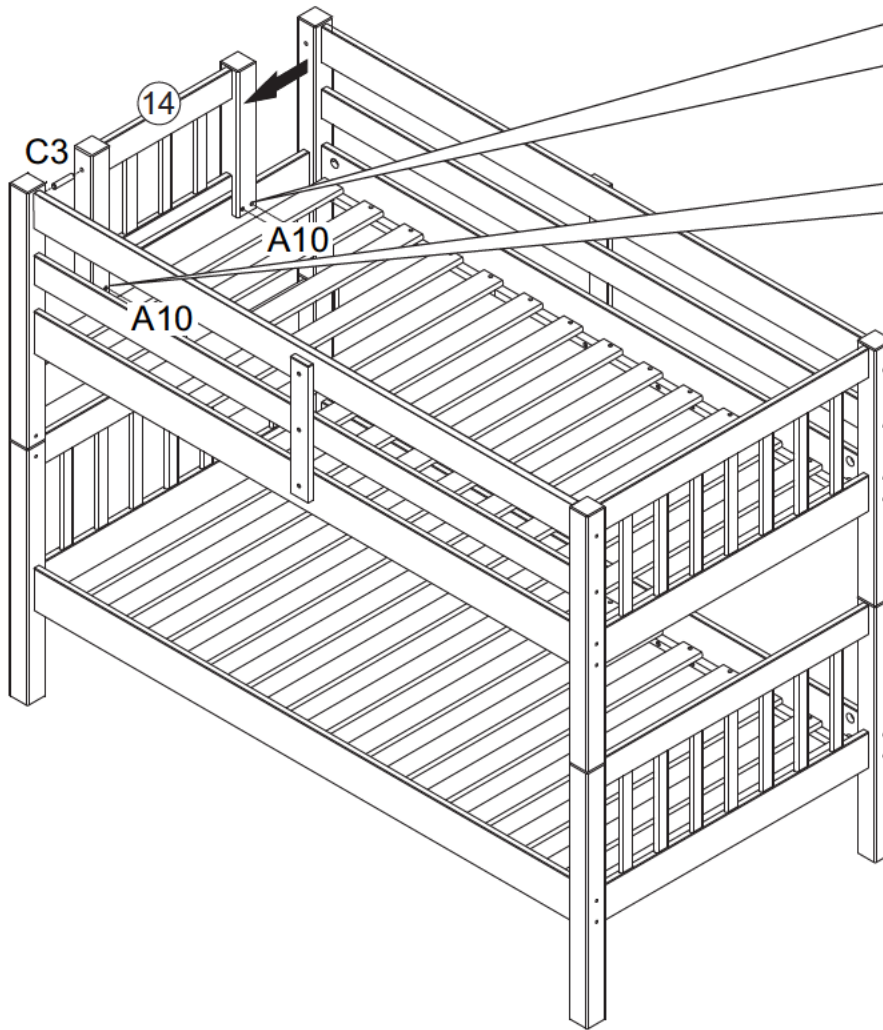
09



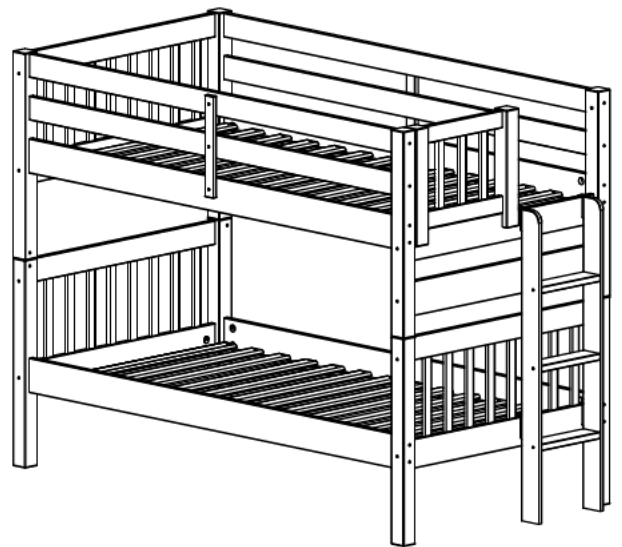
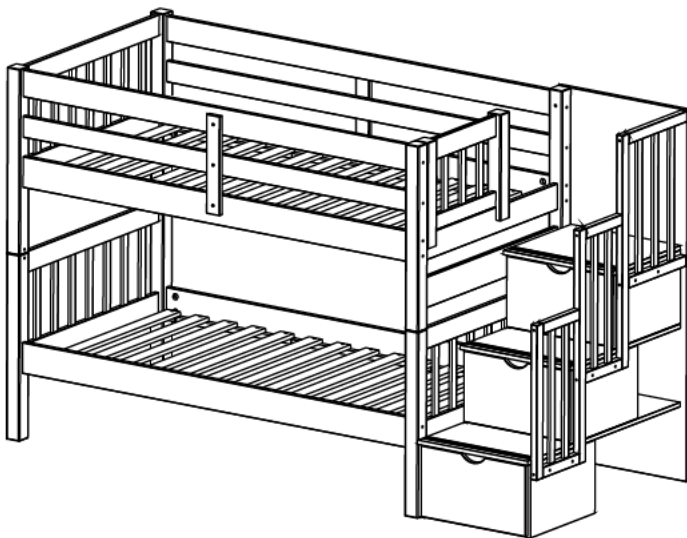
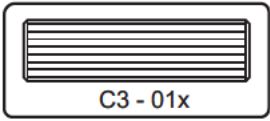
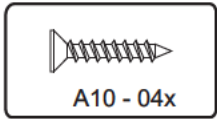
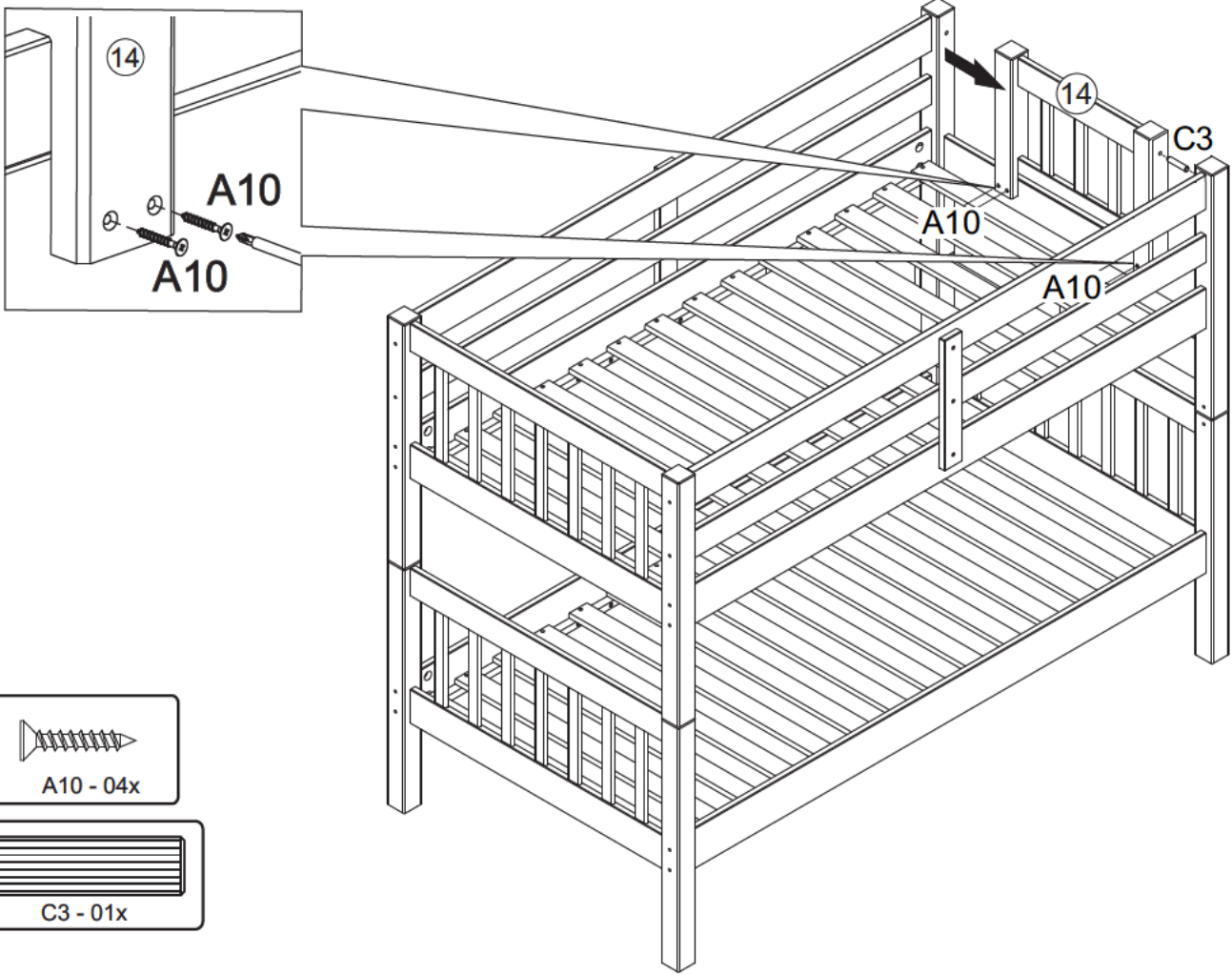
10



11- Option LEFT



11 - Option RIGHT



BEDDING SPECIFICATION

- Always use the recommended size mattress or mattress support or both, to help prevent the likelihood of entrapment or falls.
- All Bedz King bunk beds are supplied with a complete slat kit, so there is no need for a foundation or bunkie board.

BED MATTRESS SPECIFICATIONS

Upper Bunk: Only use a mattress that is 74" - 75" long and 37 1/2" - 38 1/2" wide on the upper bunk.

- Ensure thickness of mattress and foundation combined does not exceed 9".

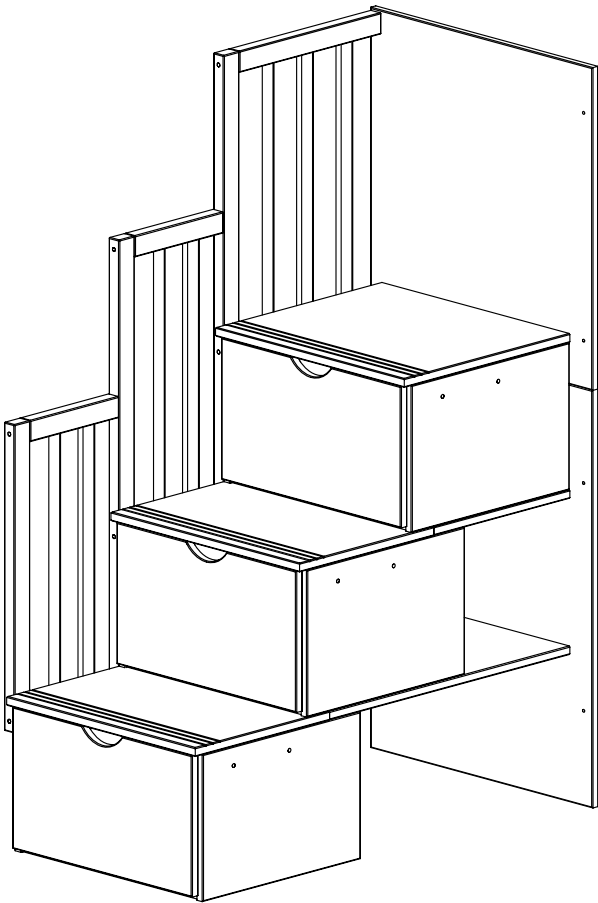
Lower Bunk: Only use a mattress that is 74" - 75" long and 37 1/2" - 38 1/2" wide on the lower bunk.

ASSEMBLY TIPS

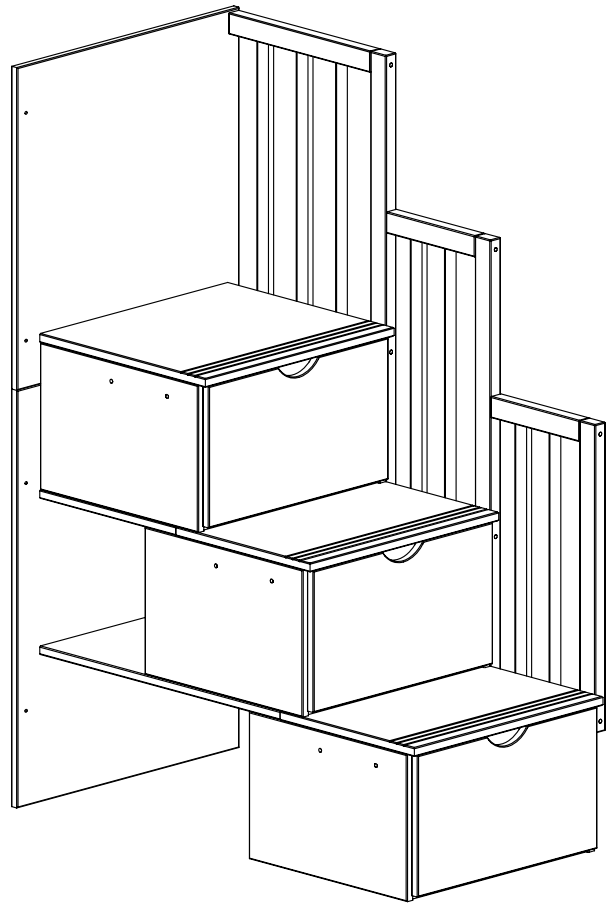
- Power tools are not recommended for assembling your furniture.
- Give yourself plenty of room to work.
- Due to the size of this bunkbed, it must be assembled within the space it will occupy.
- The assembly will require at least two people to complete.
- Make sure all the fasteners are tight.
- Take your time and read the instructions carefully.

3 Step Stairway

LEFT



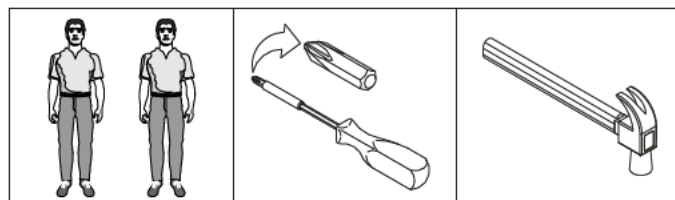
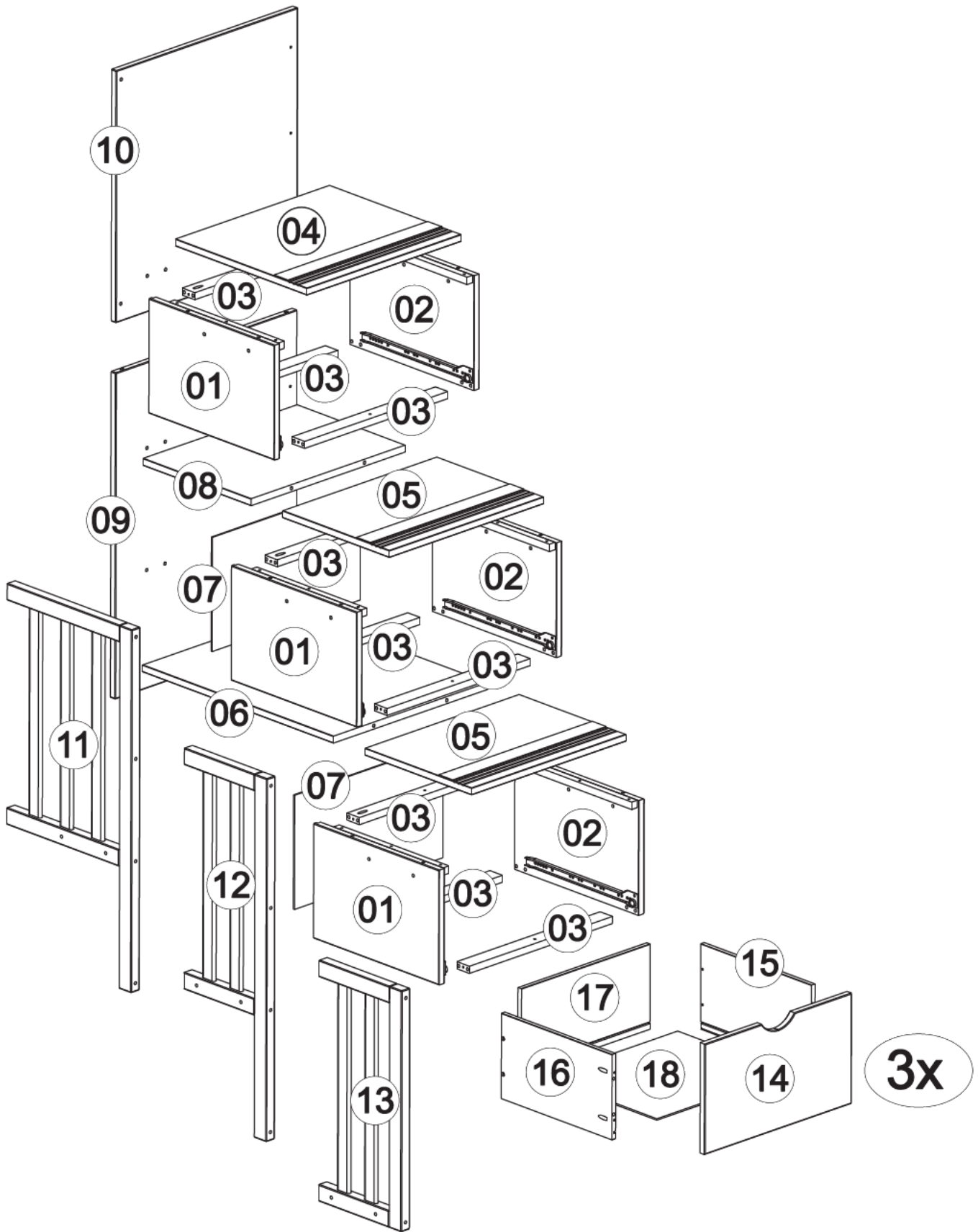
RIGHT




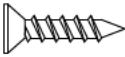
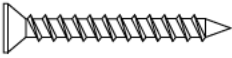
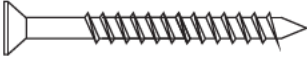
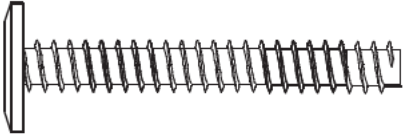
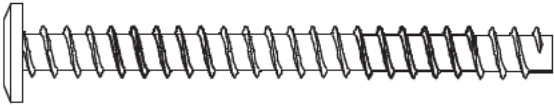
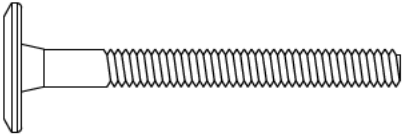




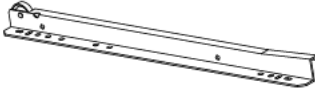



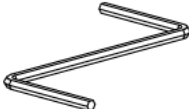
**READ THESE INSTRUCTIONS CAREFULLY BEFORE
ATTEMPTING TO ASSEMBLE THIS BED**

SAFETY WARNINGS AND GENERAL NOTES

- ✓ Follow the information on the warning labels on the upper bunk bed structure and on the carton. Do not remove warning label from the bed.
- ✓ Always use the recommended size mattress or mattress support, or both, to help prevent the likelihood of entrapment or falls.
- ✓ The top surfaces of the mattress must be at least 5" below the upper edge of the guardrails.
- ✓ **Do not** allow children under 6 years of age to use the upper bunk.
- ✓ **Prohibit** more than one person on the upper bunk.
- ✓ Periodically check and ensure that the guardrails, ladder and other components are in their proper position, free from damage, and that all connectors are tight.
- ✓ **Do not** allow horseplay on or under the bed. Always prohibit jumping on the bed.
- ✓ Always use the ladder for entering and leaving the upper bunk.
- ✓ **Do not** use substitute parts. Contact the manufacturer or dealer for replacement parts.
- ✓ Use of a night-light may provide added safety for a child using the upper bunk.
- ✓ If the bunk bed will be placed next to the wall, the guardrail that runs the full length of the bed should be placed against the wall to prevent entrapment between the bed and the wall.
- ✓ Always use guardrails on both long sides of the upper bunk.
- ✓ The use of a water or sleep floatation mattress is prohibited.
- ✓ Keep these instructions for future reference.
- ✓ We recommend assembling your bunk bed on the shipping carton to protect your floor or carpet. Be certain all staples are out of the box before beginning assembly on the shipping carton.
- ✓ **Strangulation Hazard** Never attach or hang items to any part of the bunk bed that are not designed for use with the bed for example, but not limited to hooks, belts, and jump ropes.



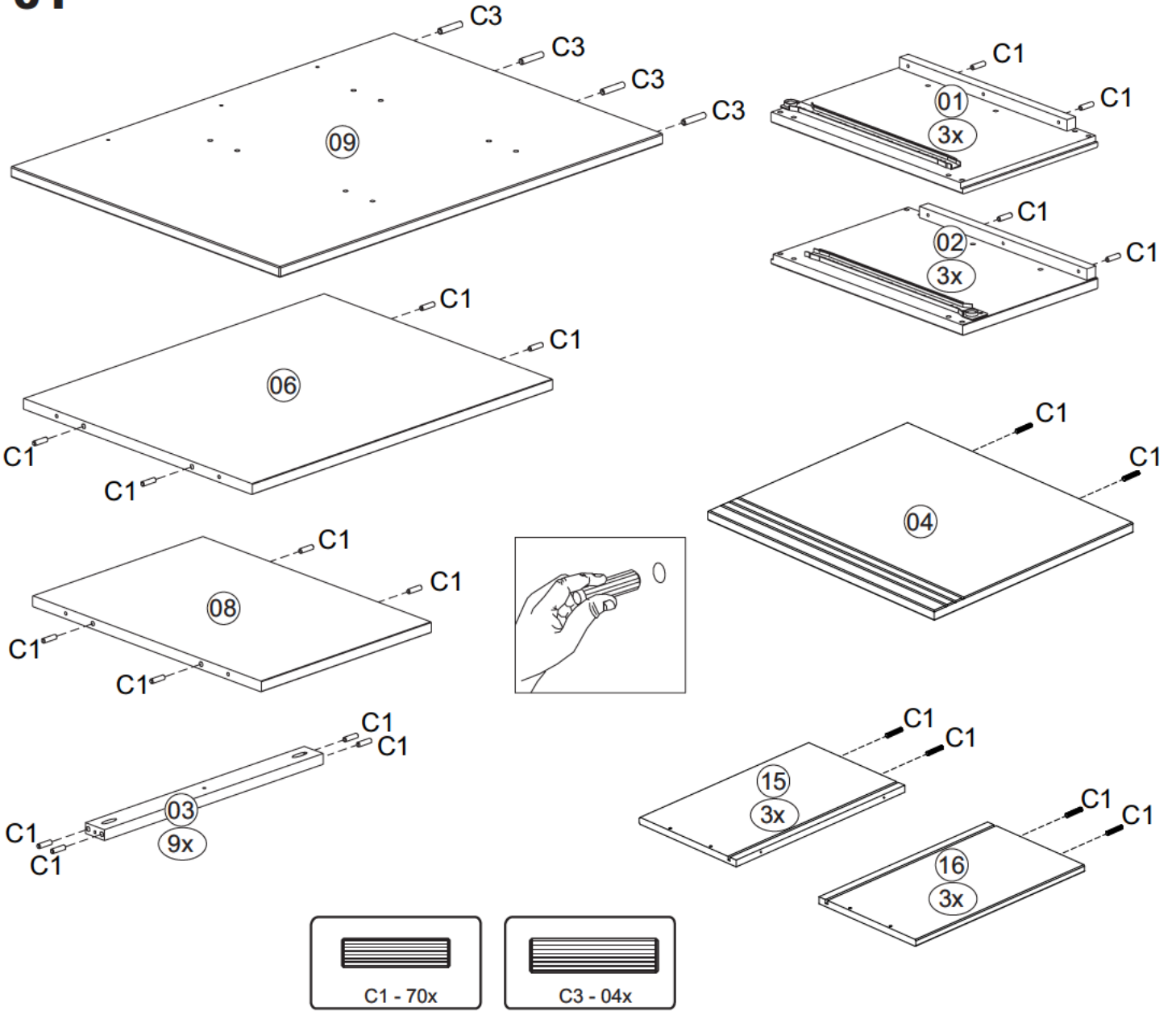
SCREWS ARE SHOWN IN ACTUAL SIZE

			Qty.	Extra
A1		4,0x30	30	
A5		3,5x16	2	
A10		3,5x30	35	+2
A16		4,0x40	6	
B8		7,0x50	8	
B19		7,0x70	4	
B20		1/4"x50	6	
B31		6,0x10	12	+2
C1		8,0x30	70	+2
C3		10x40	4	
D16			1	
E3		L1	3	
E4		L2	3	
G1		10x10	28	
G3			1	
G8			1	

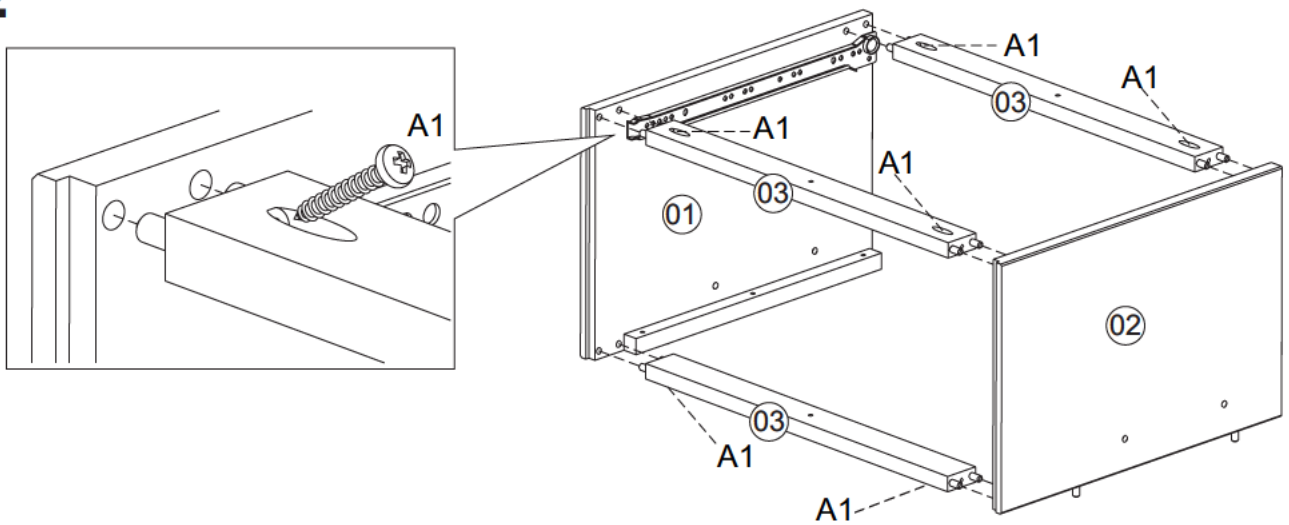
 **WARNING:**
CHOKING HAZARD -- Small Parts

Not for Children.
To be Assembled by an Adult.

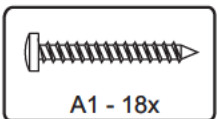
01



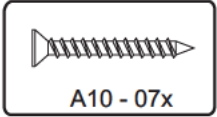
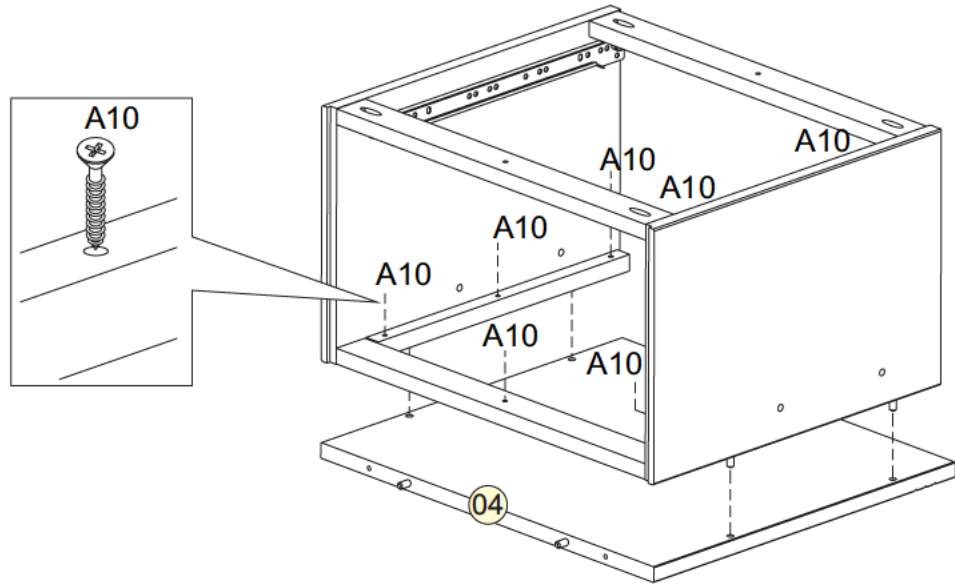
02



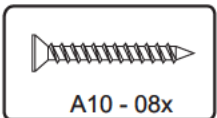
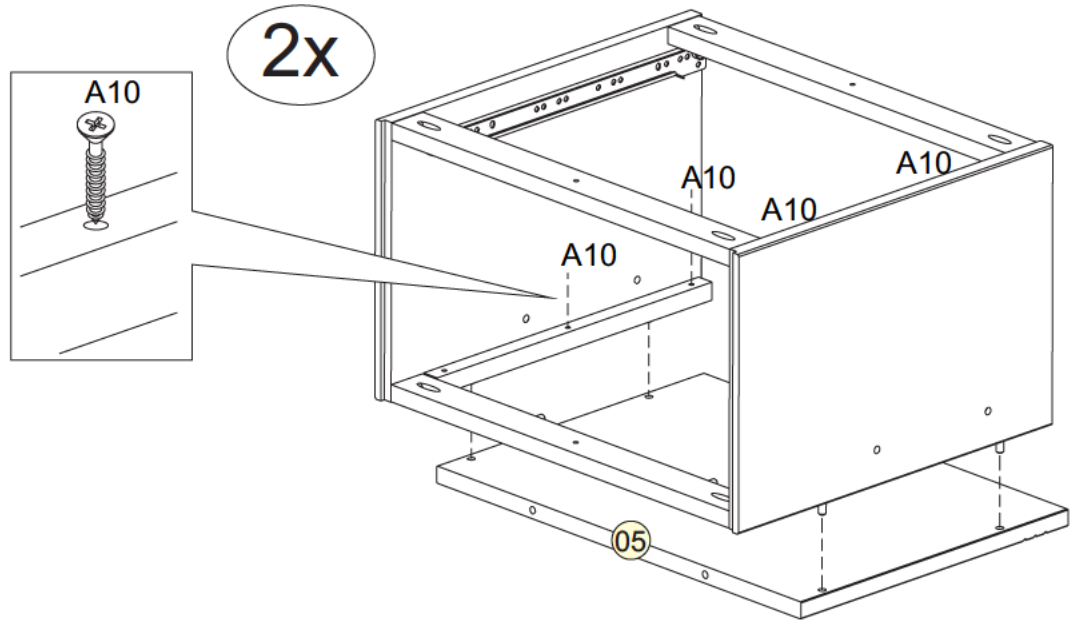
3x



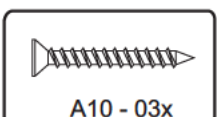
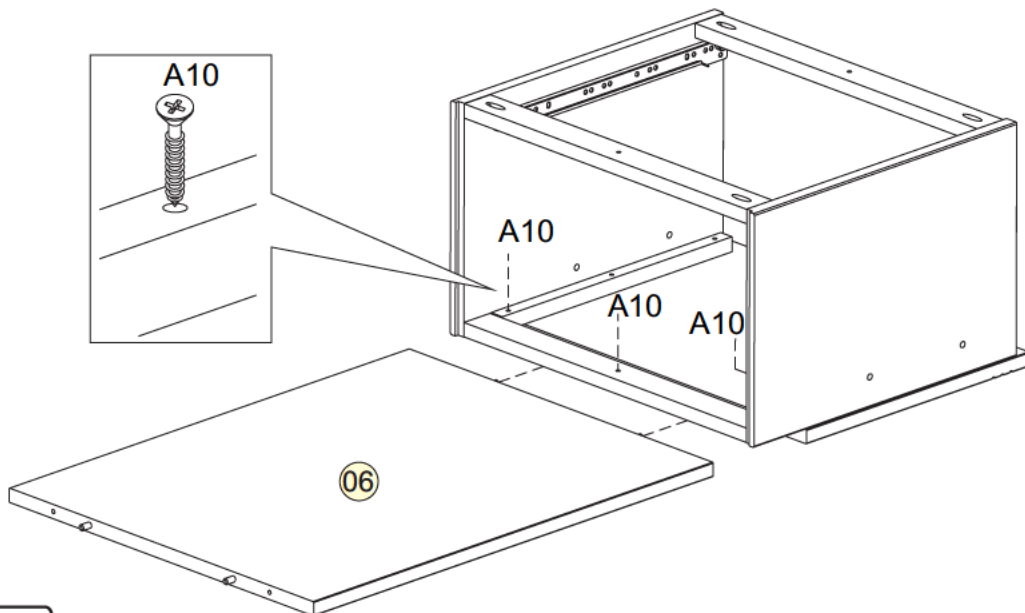
03



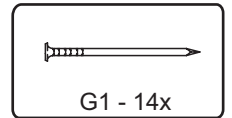
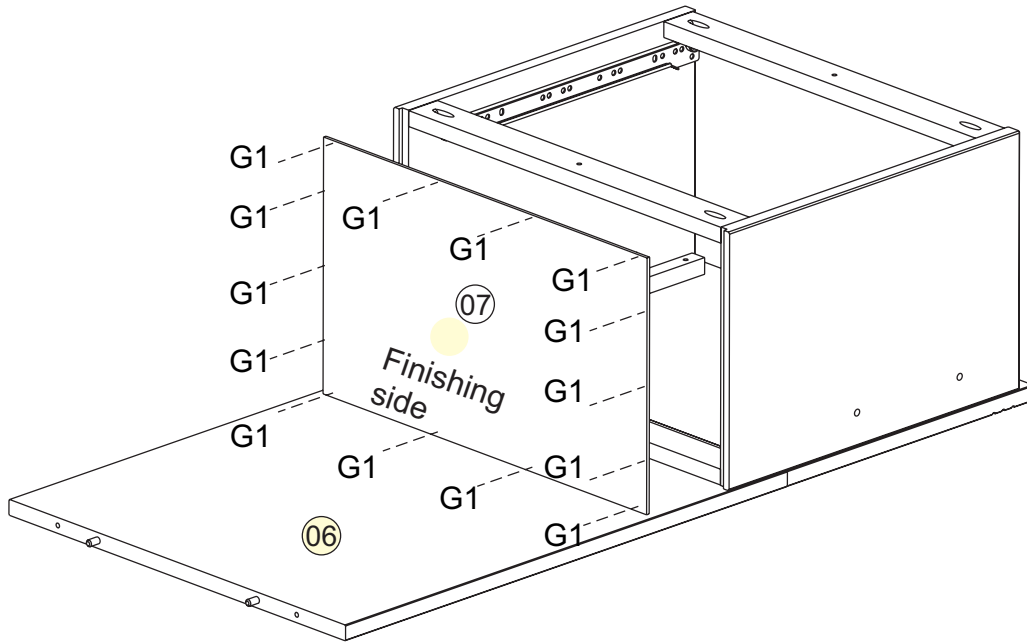
04



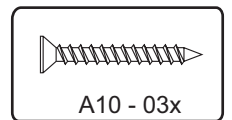
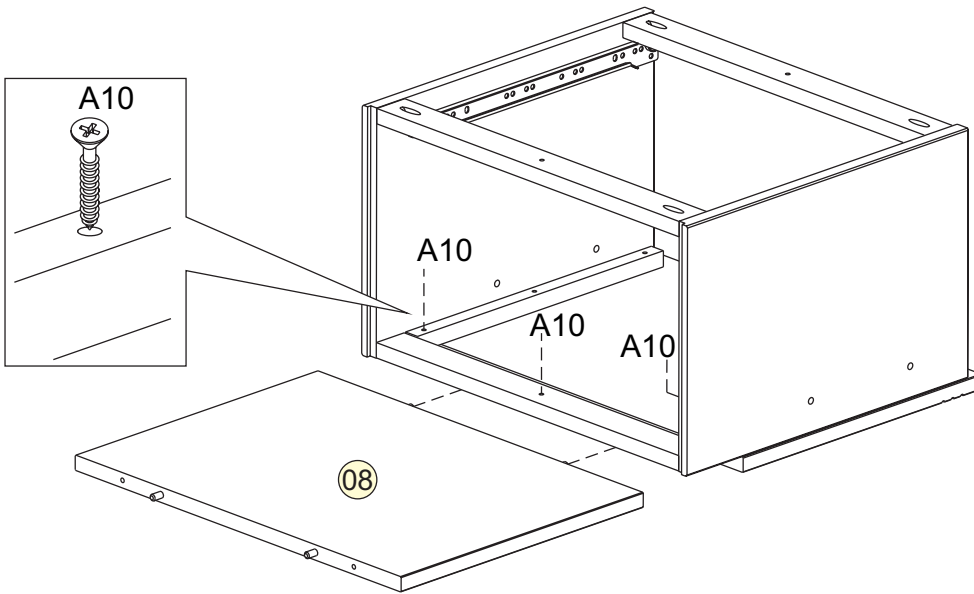
05



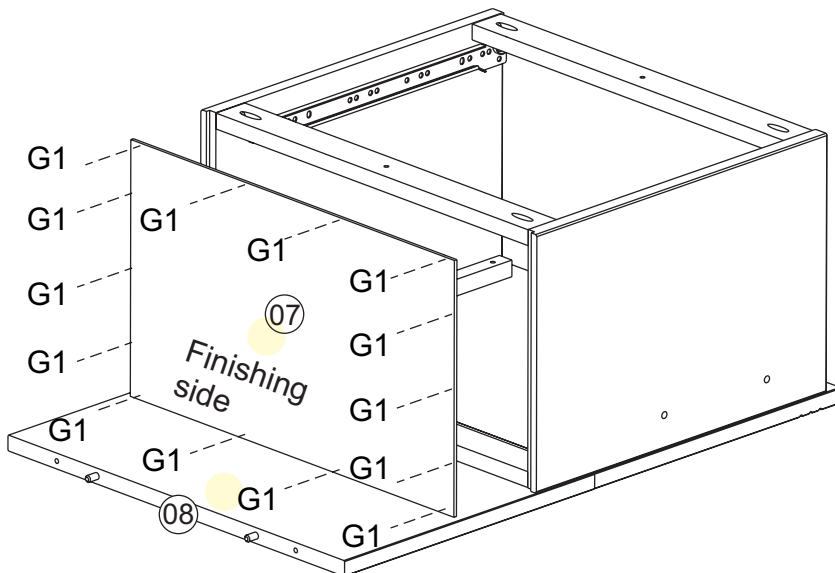
06



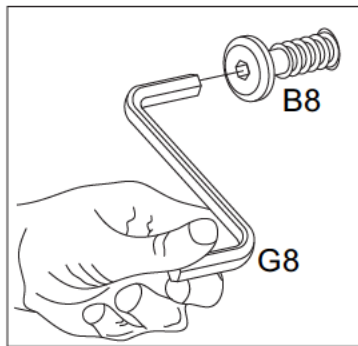
07



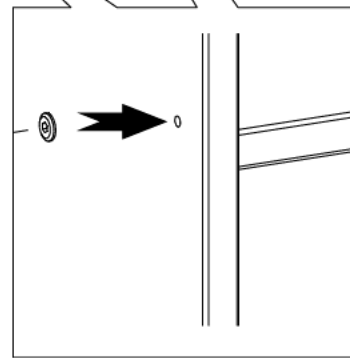
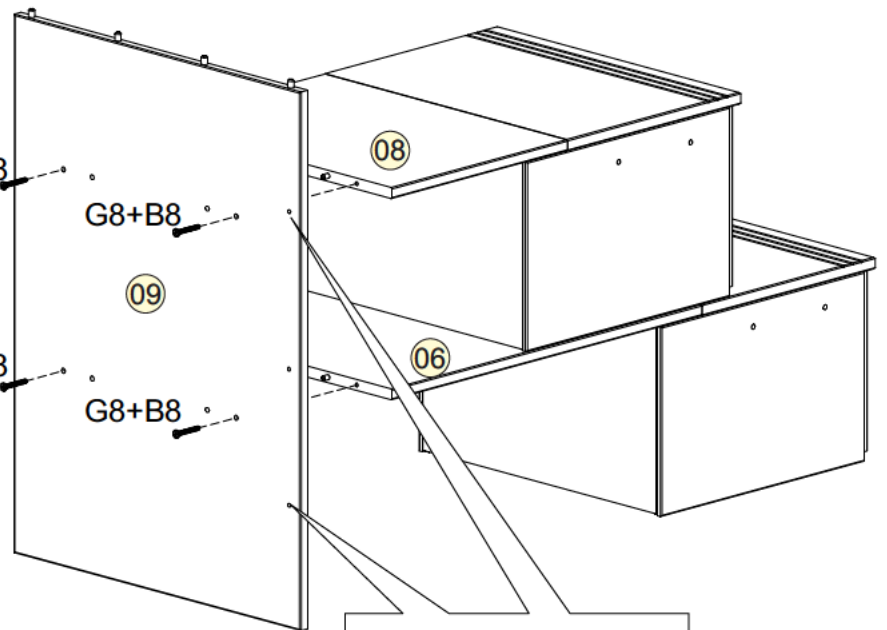
08



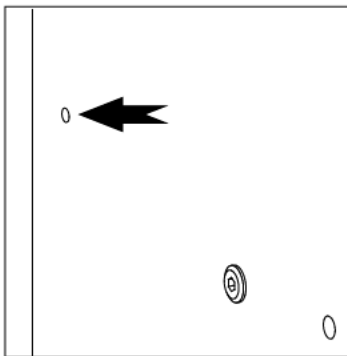
09 - RIGHT



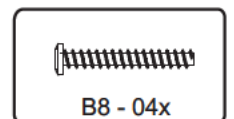
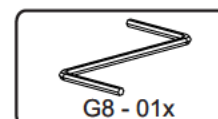
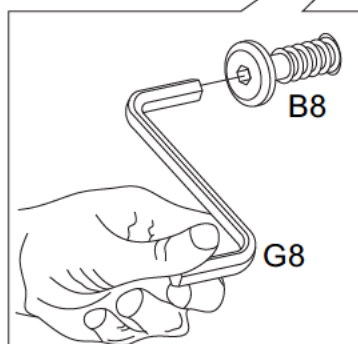
G8+B8
G8+B8
09
G8+B8
G8+B8



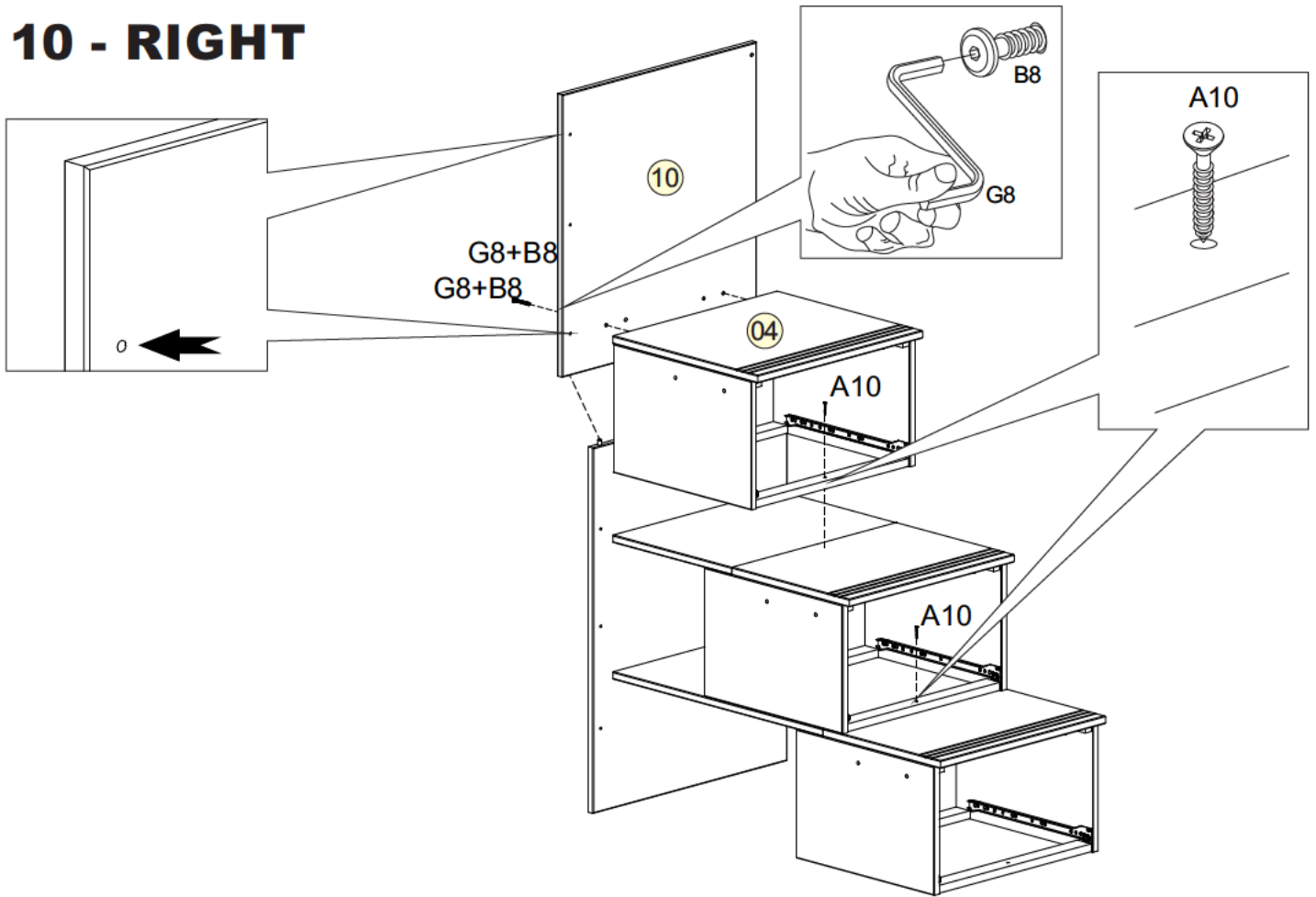
09 - LEFT



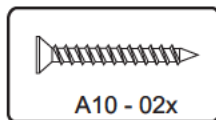
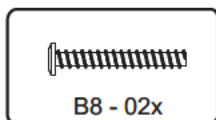
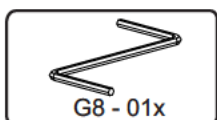
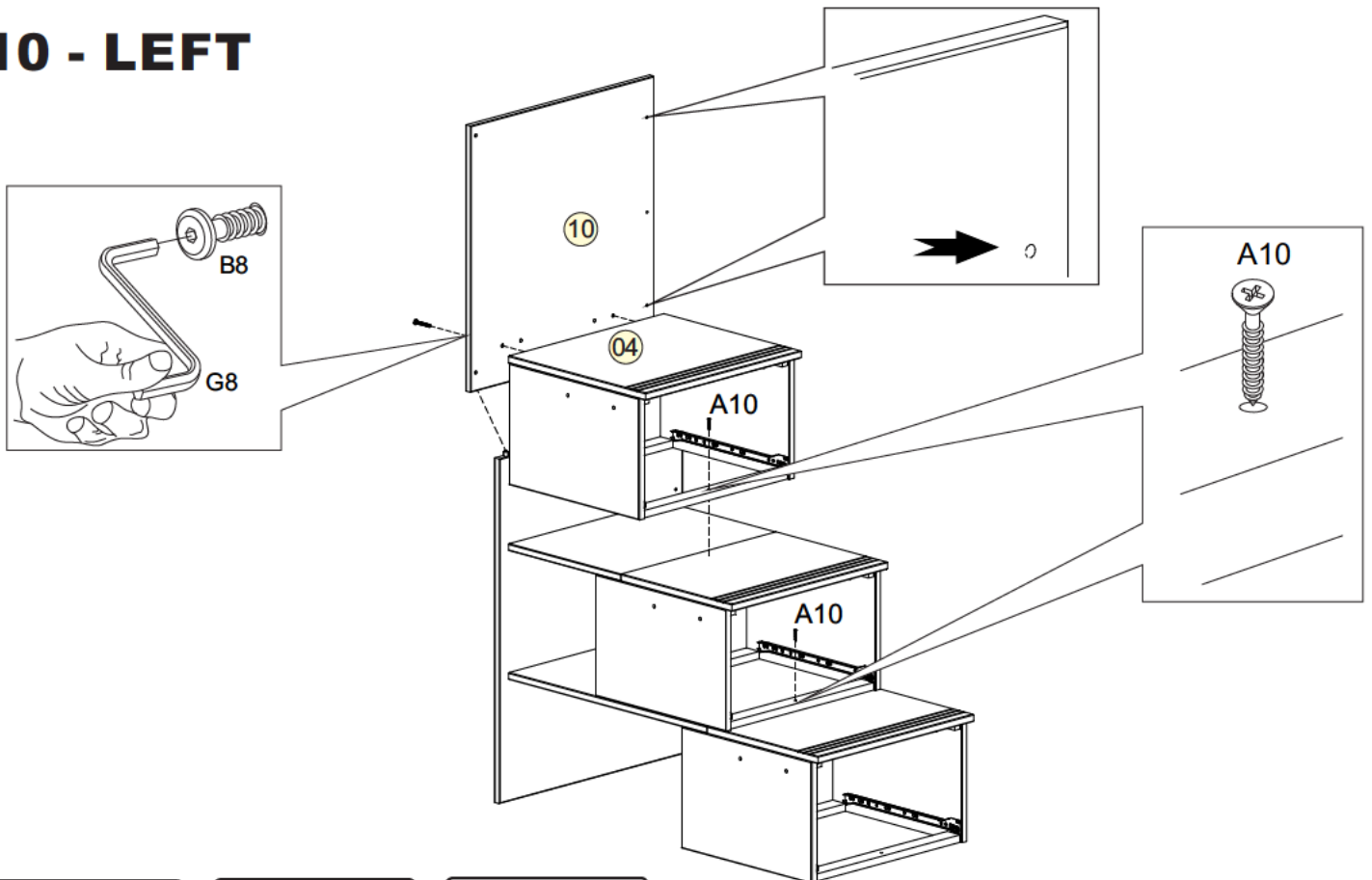
G8+B8
G8+B8
09
G8+B8
G8+B8



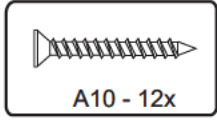
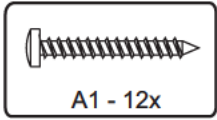
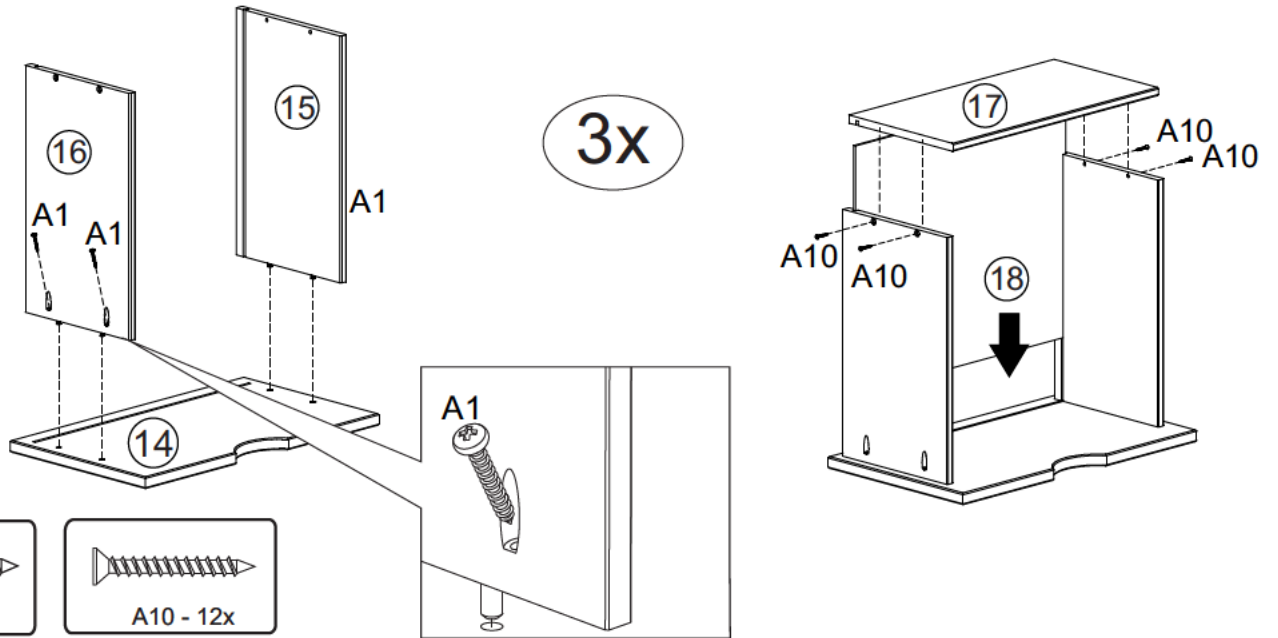
10 - RIGHT



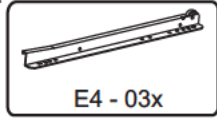
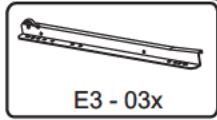
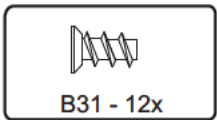
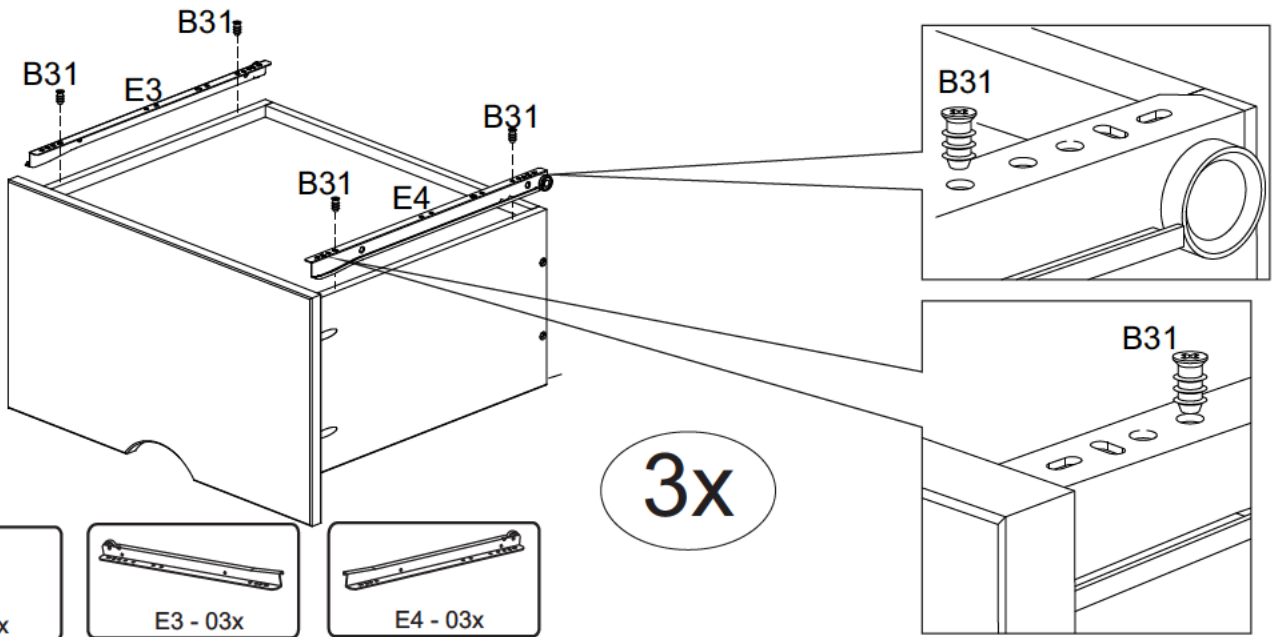
10 - LEFT



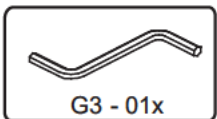
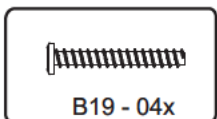
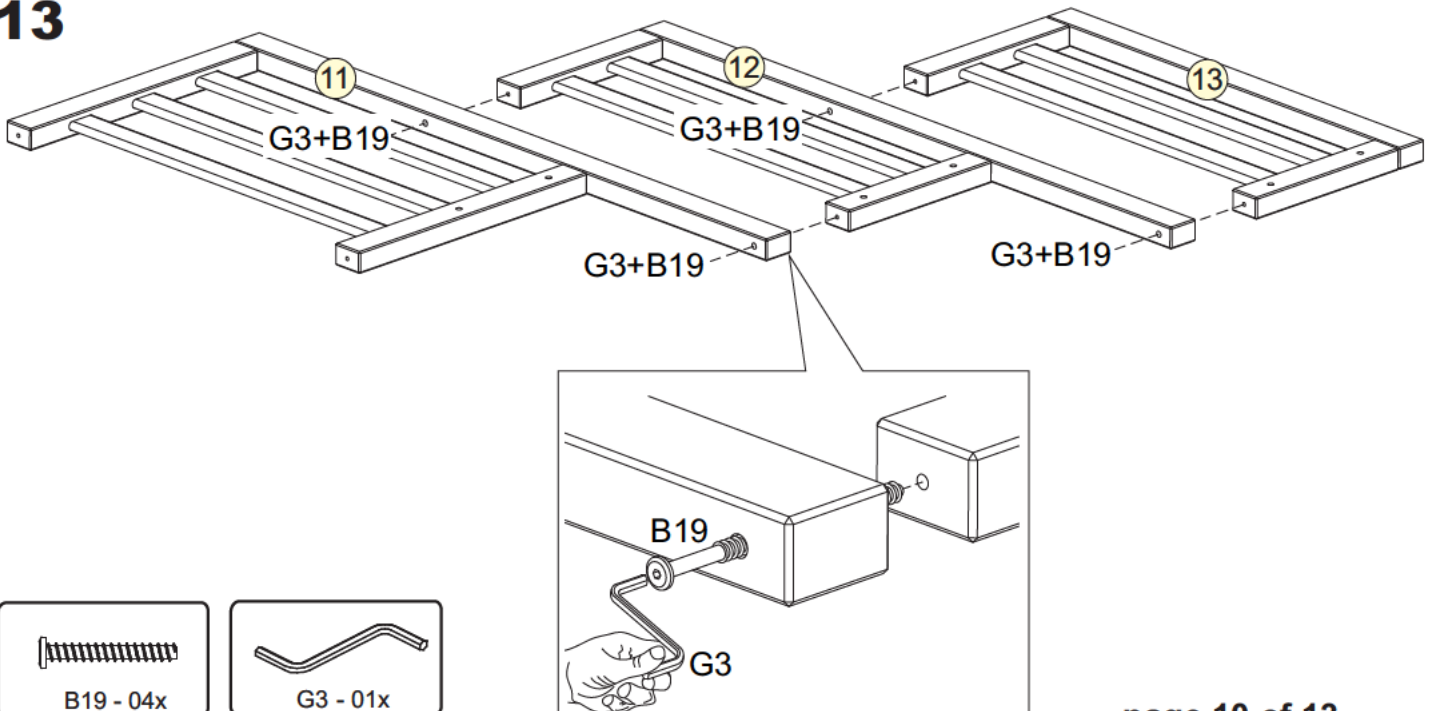
11



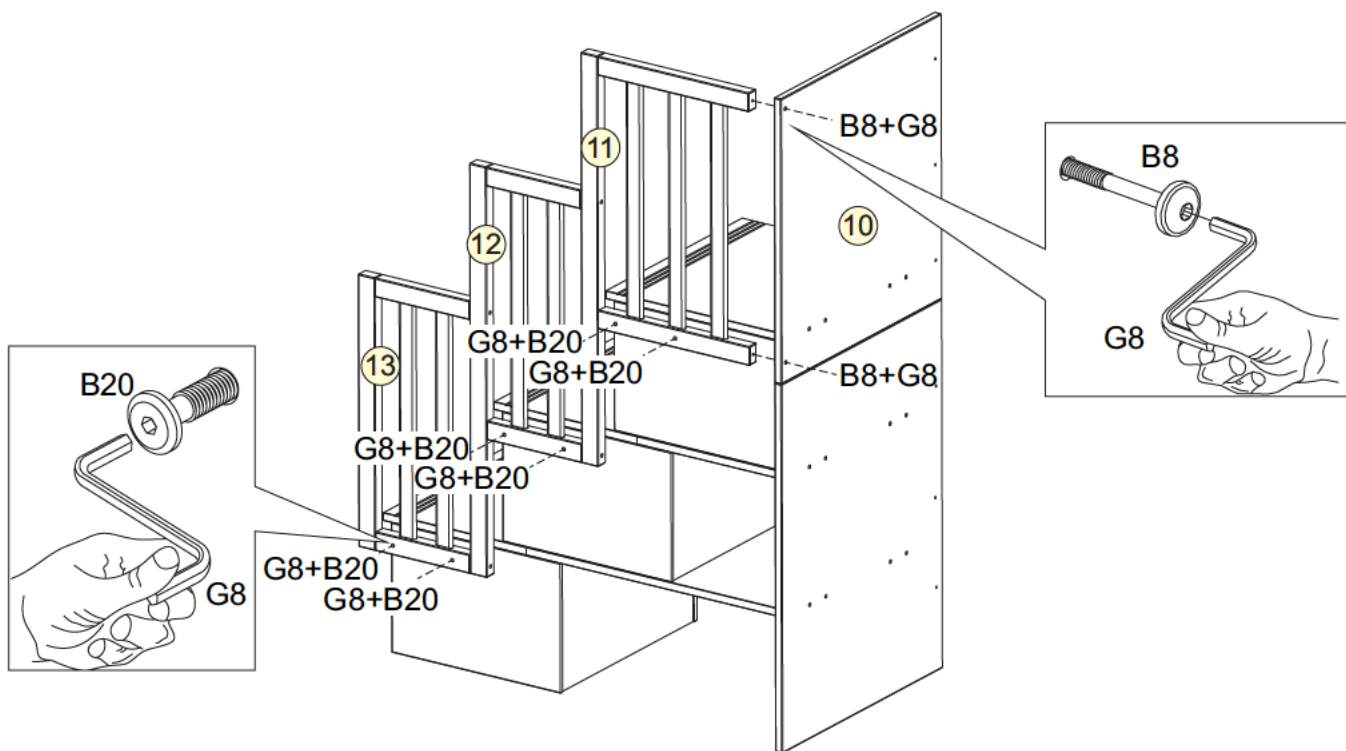
12



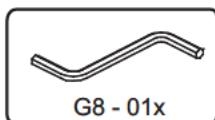
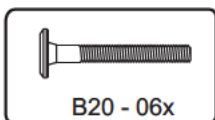
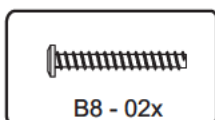
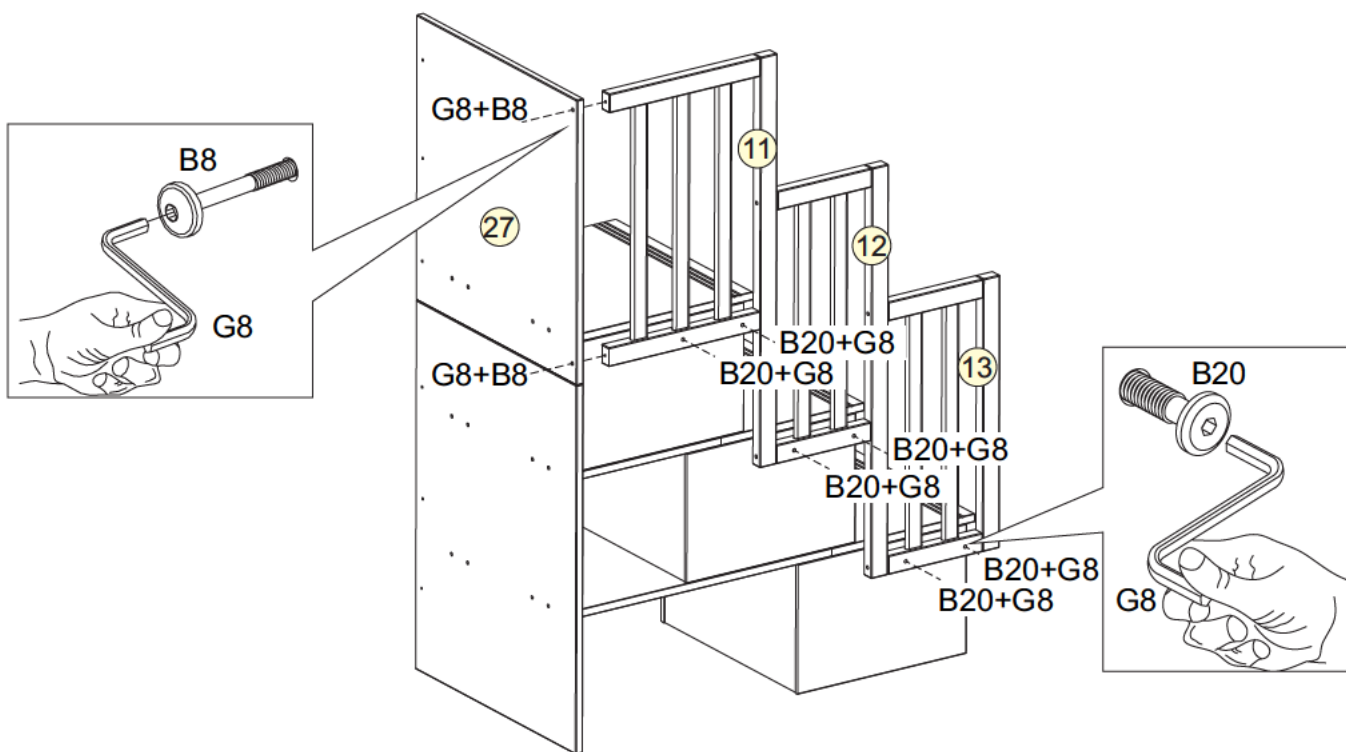
13



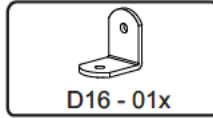
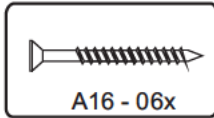
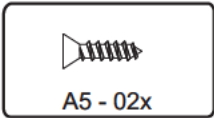
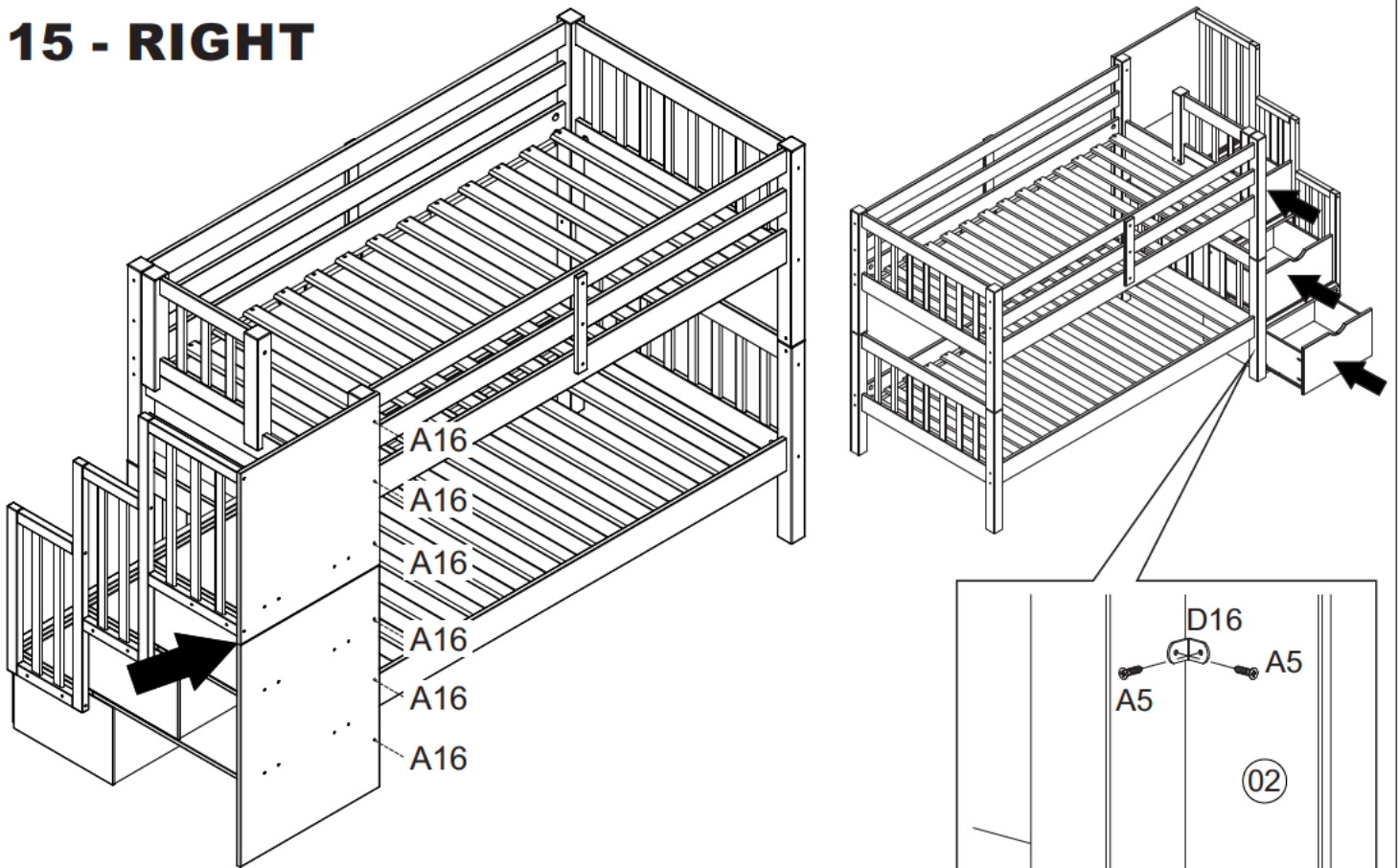
14 - RIGHT



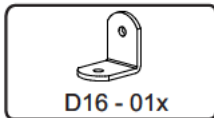
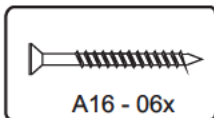
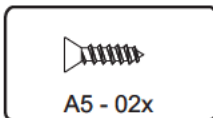
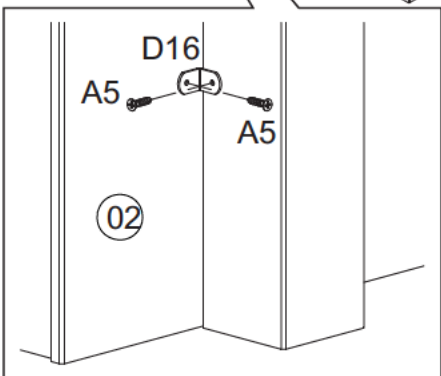
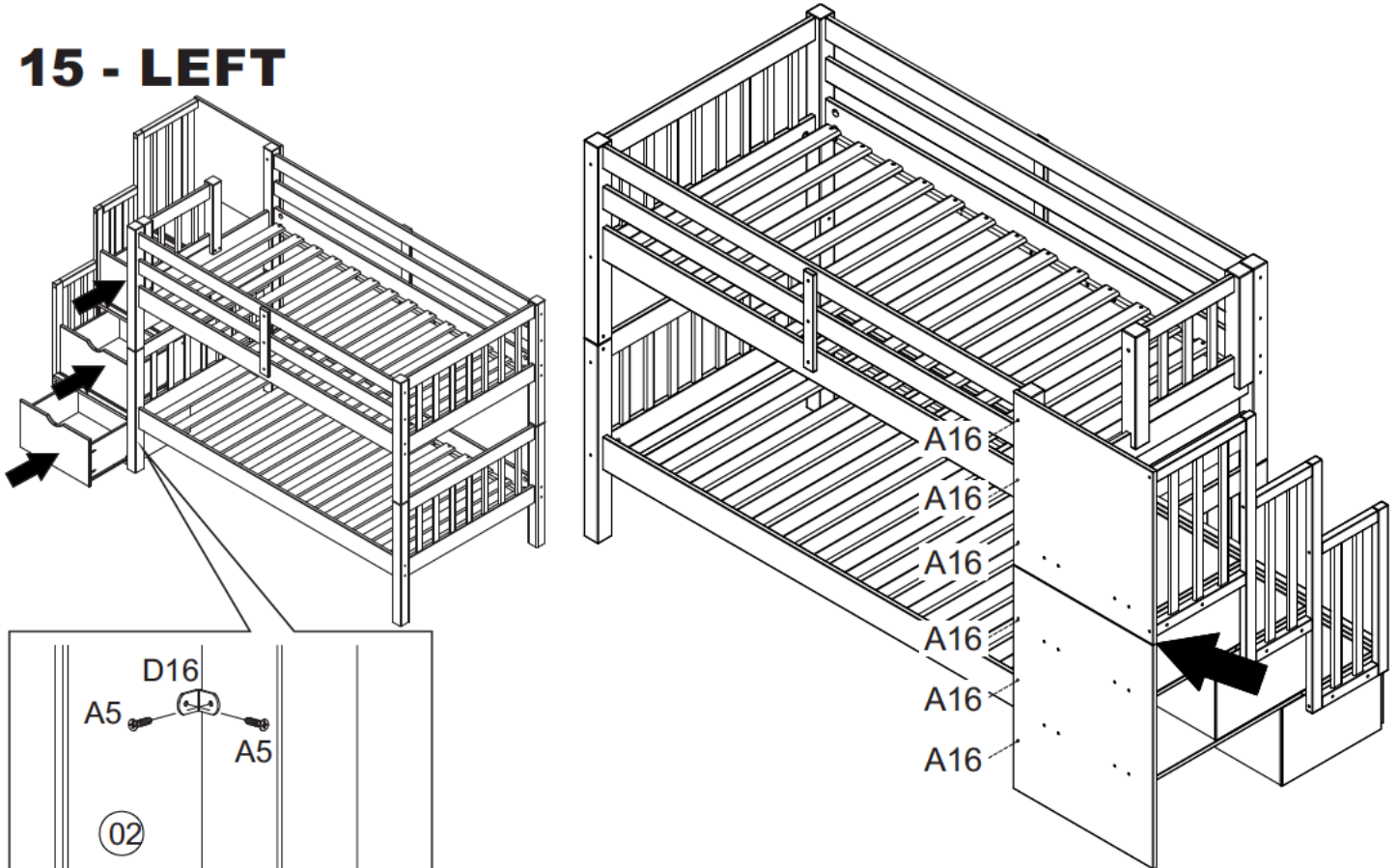
14 - LEFT



15 - RIGHT



15 - LEFT



BEDDING SPECIFICATION

- Always use the recommended size mattress or mattress support or both, to help prevent the likelihood of entrapment or falls.
- All Bedz King bunk beds are supplied with a complete slat kit, so there is no need for a foundation or bunkie board.

BED MATTRESS SPECIFICATIONS

TWIN OVER TWIN

Upper Bunk: Only use a mattress that is 74" - 75" long and 37 1/2" - 38 1/2" wide on the upper bunk.

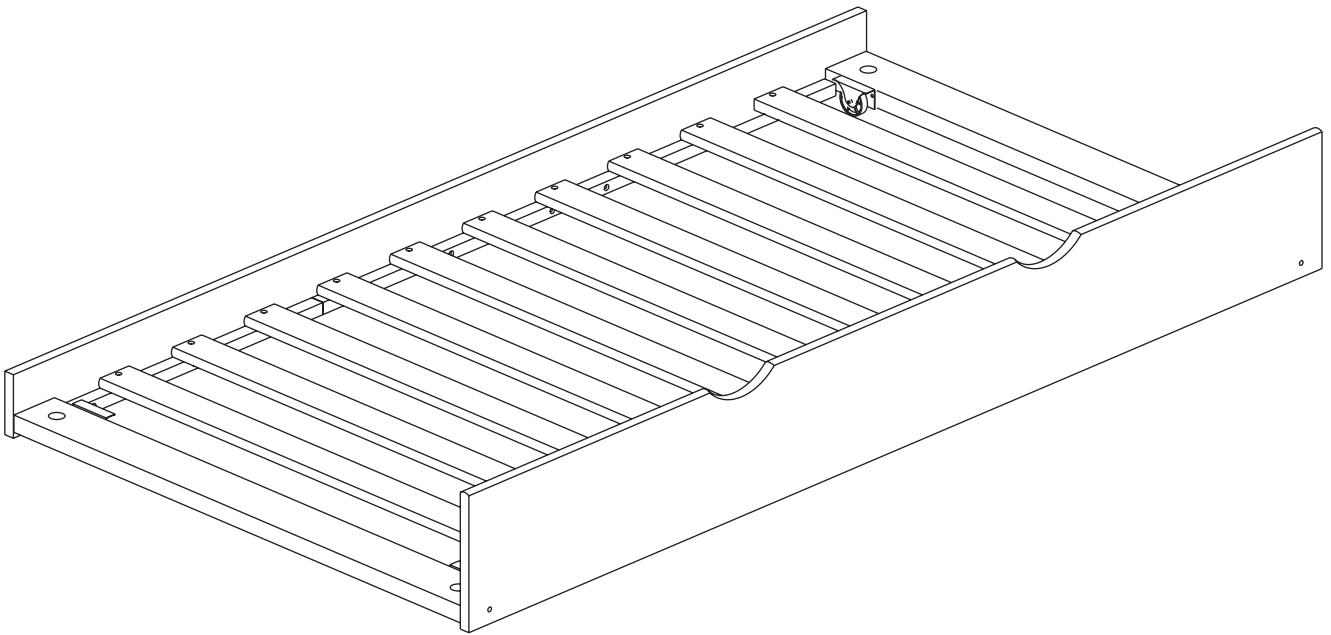
- Ensure thickness of mattress and foundation combined does not exceed 9".

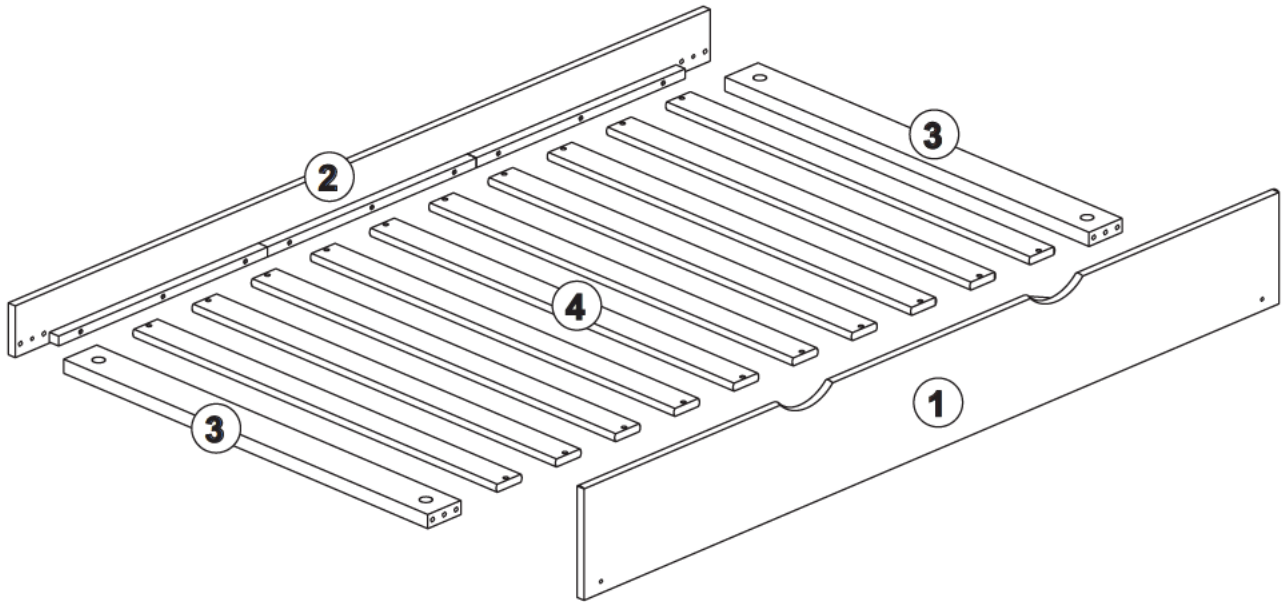
Lower Bunk: Only use a mattress that is 74" - 75" long and 37 1/2" - 38 1/2" wide on the lower bunk.

ASSEMBLY TIPS

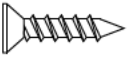
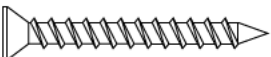

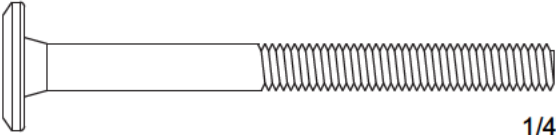

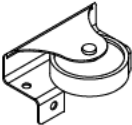
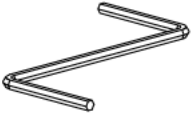

- Power tools are not recommended for assembling your furniture.
- Give yourself plenty of room to work.
- Due to the size of this bunkbed, it must be assembled within the space it will occupy.
- The assembly will require at least two people to complete.
- Make sure all the fasteners are tight.
- Take your time and read the instructions carefully.

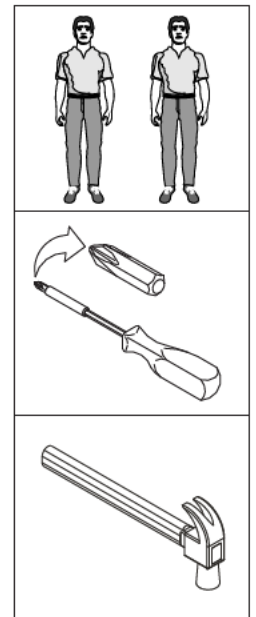
Twin Trundle





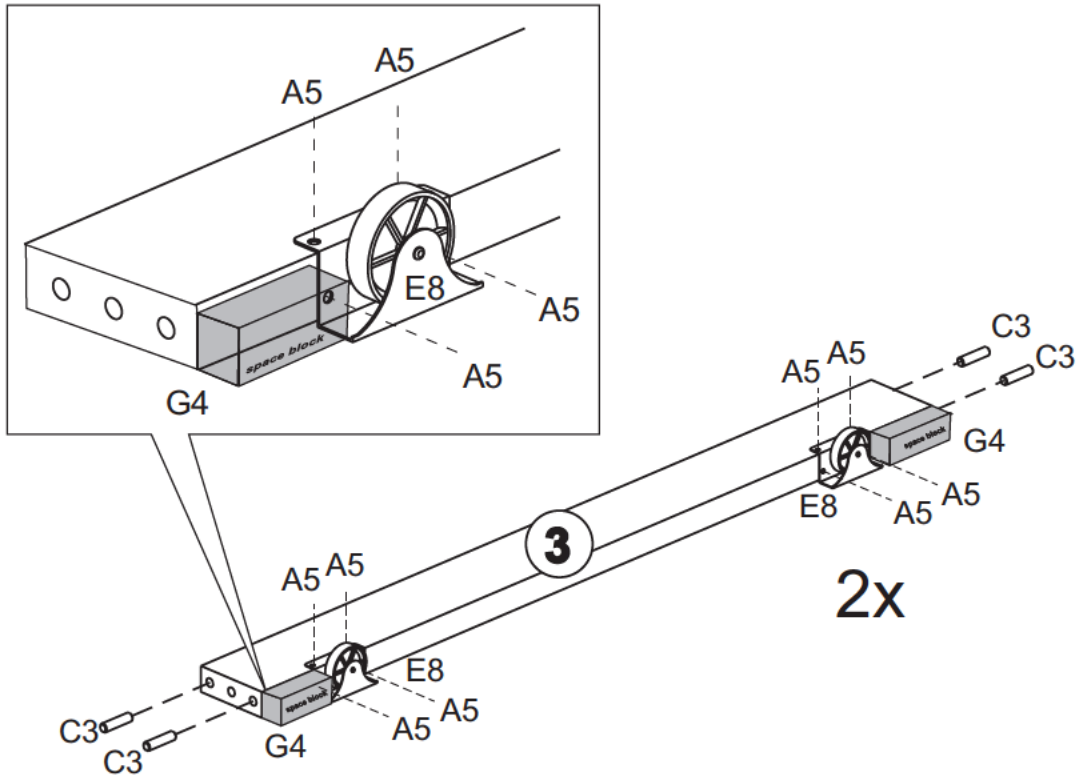
SCREWS ARE SHOWN IN ACTUAL SIZE

		Qty.	Extra
A5	 3,5x16	16	
A12	 4,0x35	20	
B5	 1/4"	4	+1
B18	 1/4"x70	4	
C3	 10x40	8	+1
E8		4	
G3		1	
G4	 space block	2	



WARNING - CHOKING HAZARD
To be Assembled by Adults only!

01



02

