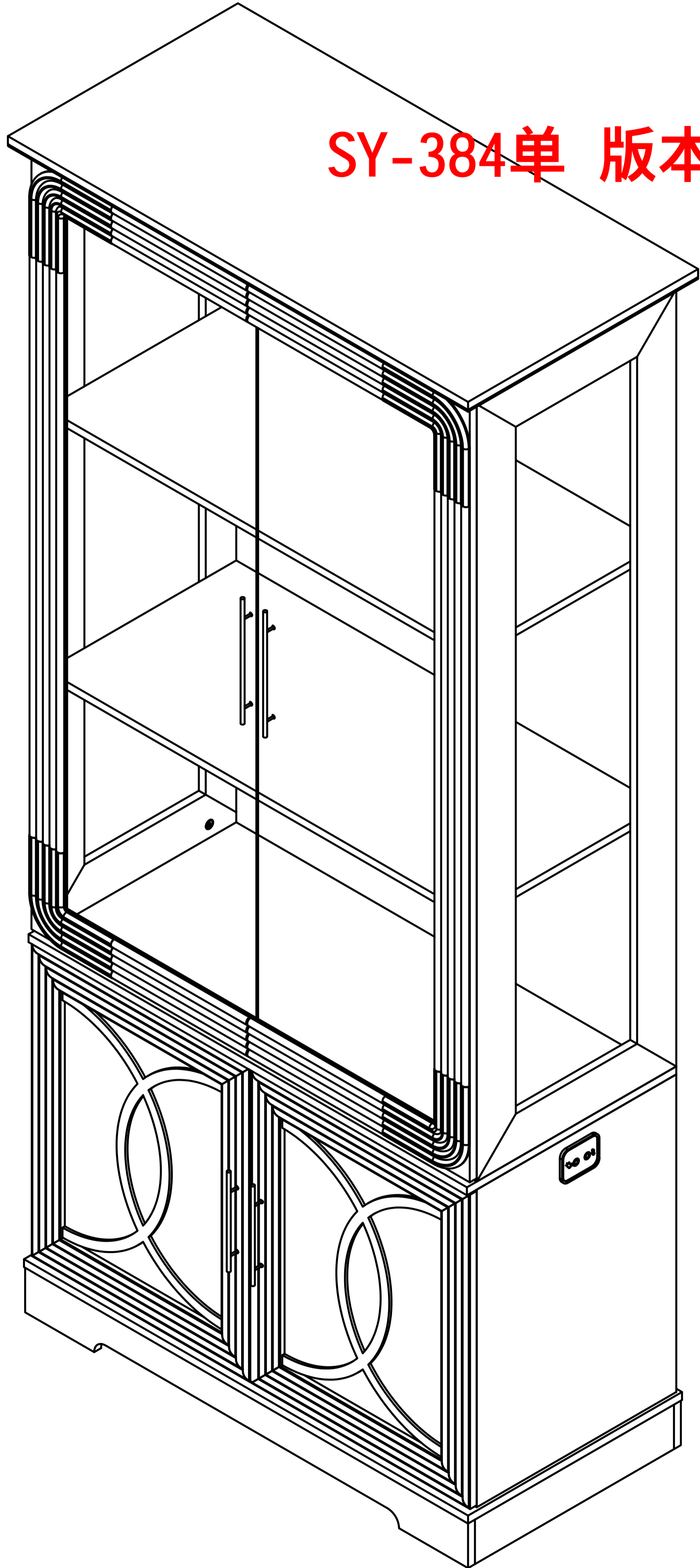


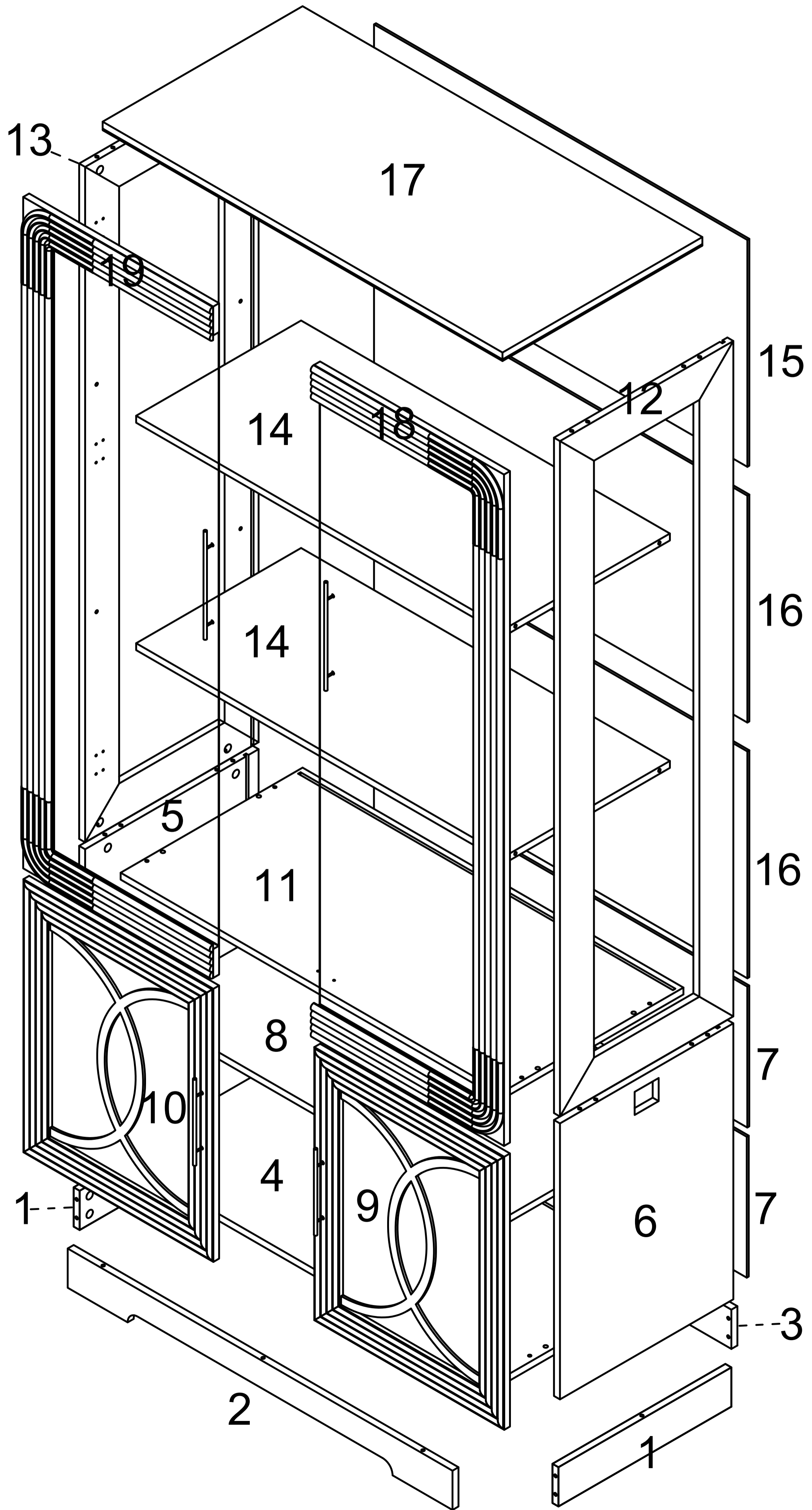
97095 Product Installation Instructions

SY-384单 版本

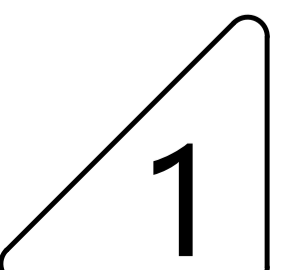


SY

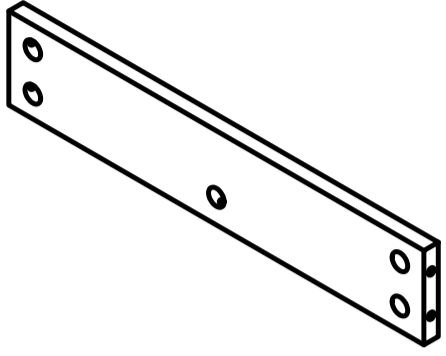
97095 Product Installation Instructions



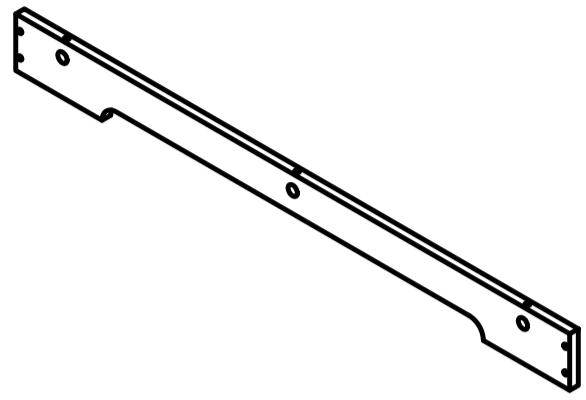
SY



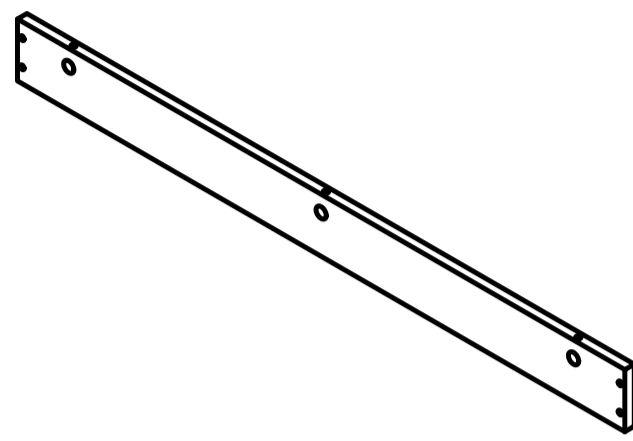
Hardware list



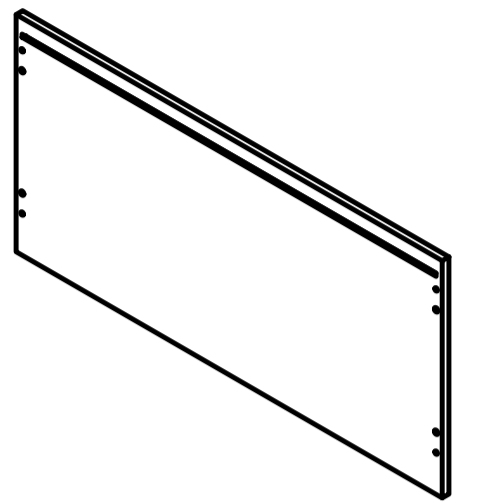
1x2



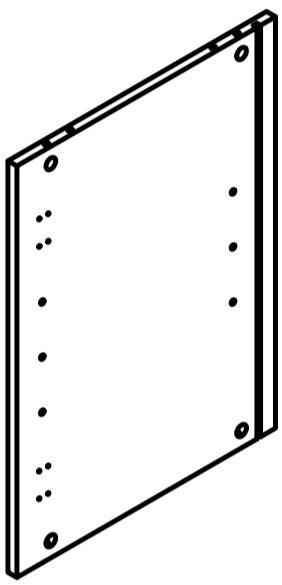
2x1



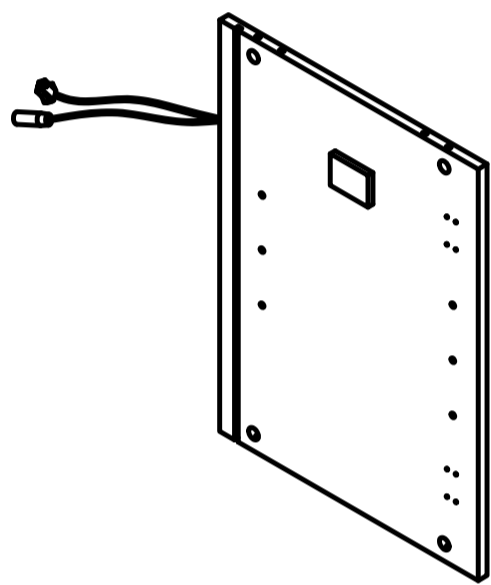
3x1



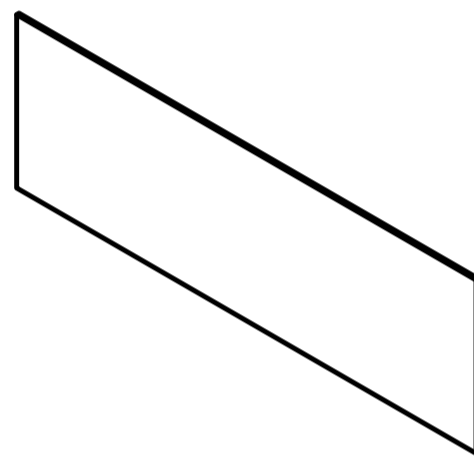
4x1



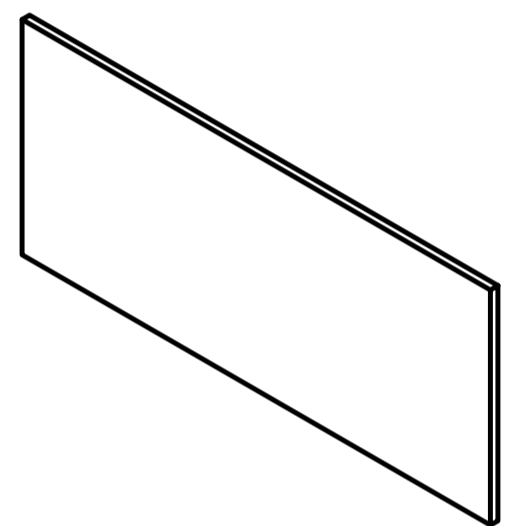
5x1



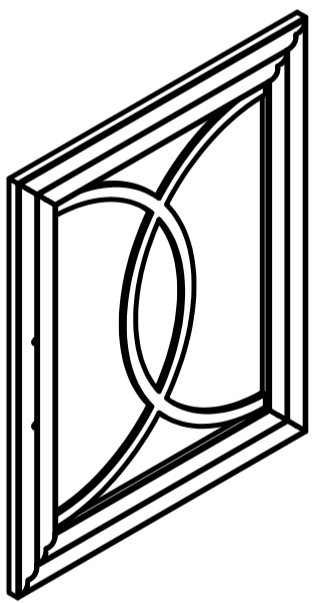
6x1



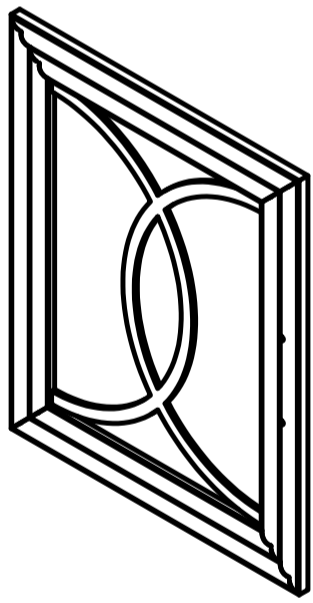
7x2



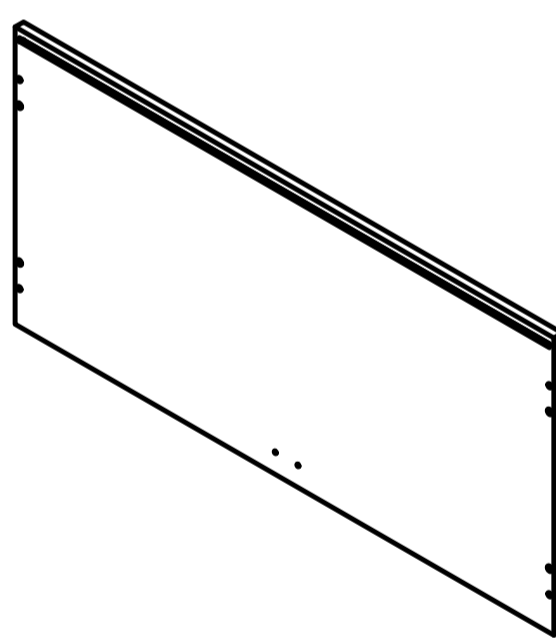
8x1



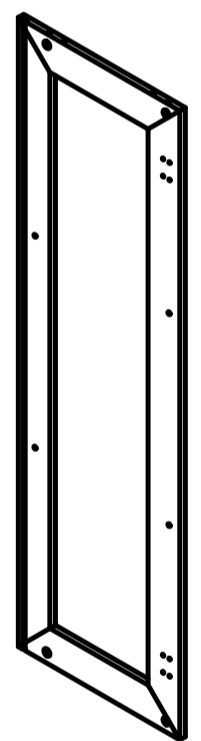
9x1



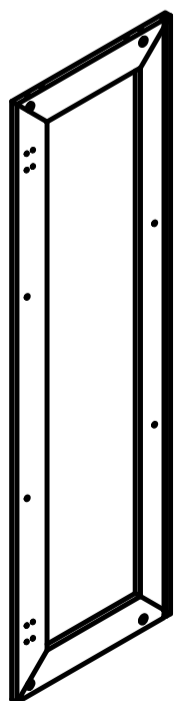
10x1



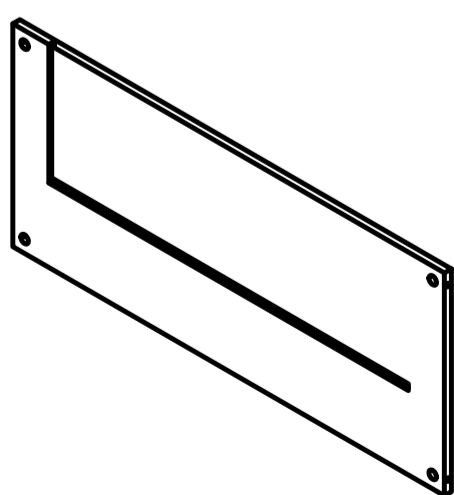
11x1



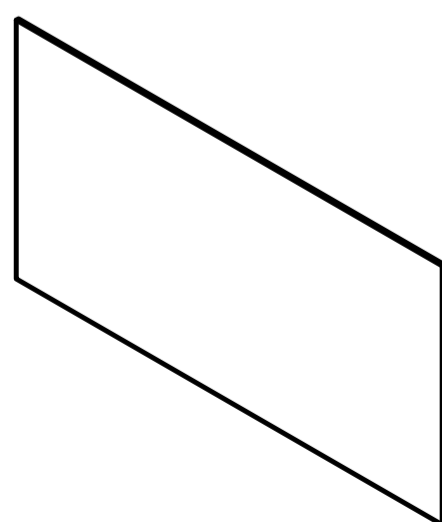
12x1



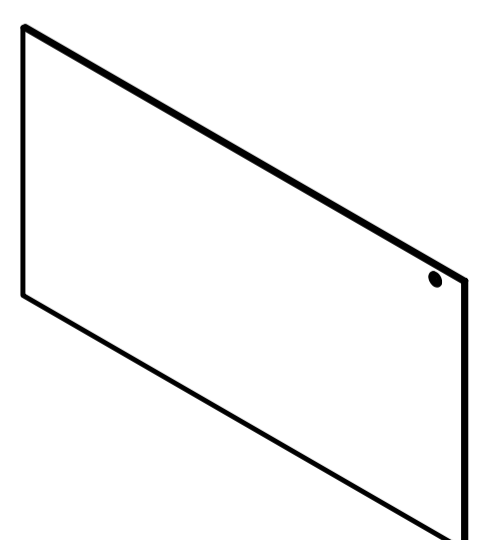
13x1



14x2

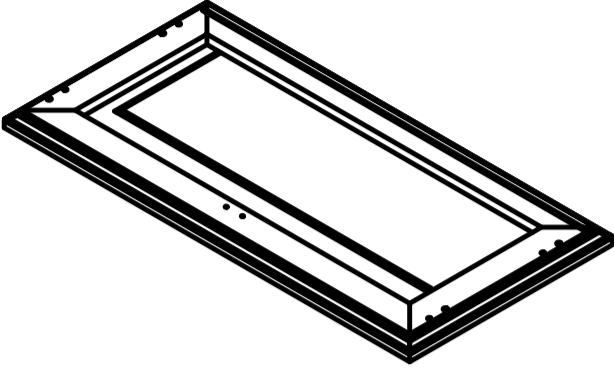


15x1

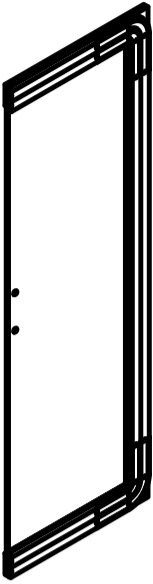


16x2

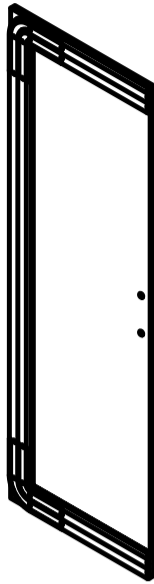
Hardware list



17x1

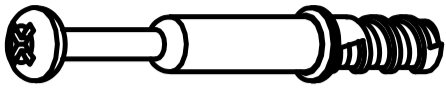

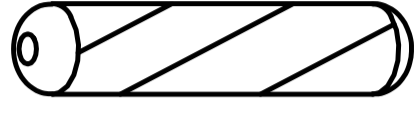




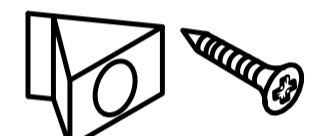



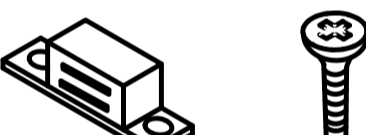
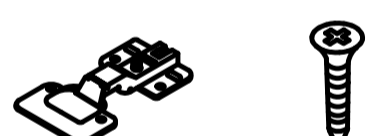



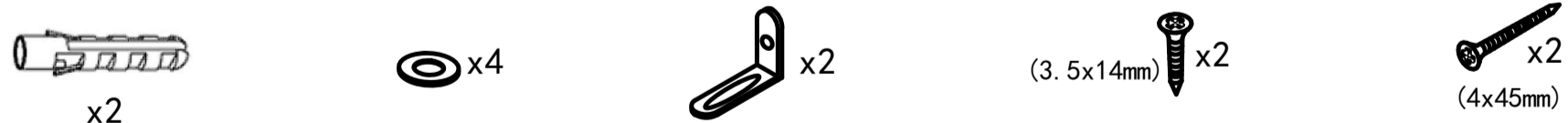
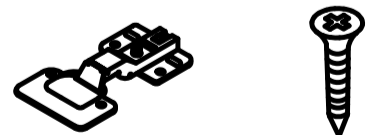


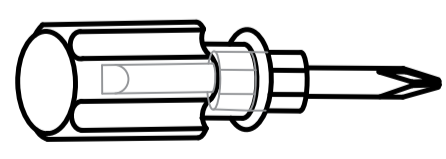
18x1



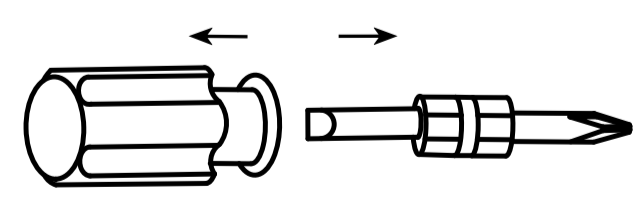
19x1

Accessories list

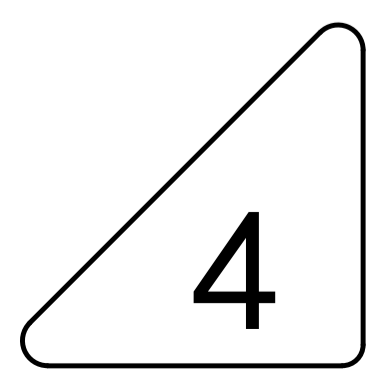
A		Two In One Screw (6x28mm)	40pcs +3pcs
B		Two In One Nut (10x12mm)	40pcs +3pcs
C		Wood Chipping (6x30mm)	16pcs +1pcs
D		Glue clamp strips	1pcs
E		Handle (224)& Screw (4x12mm)	2pcs / 4pcs +1pcs
		Glue gaskets Iron gaskets	2pcs / 2pcs +1pcs
F		Handle (96)& Screw (4x20mm) Glue gaskets Iron gaskets	2pcs / 4pcs +1pcs
G		Fixing clip & screw (3x16mm)	18pcs / 18pcs +1pcs
H		Iron Sheet & Screw (2.6x10mm)	6pcs / 6pcs +1pcs
I		Wire Clamp	2pcs
J		Laminate support nail	4pcs
K		Door Magnet & Screw (3x16mm)	3pcs / 3pcs +1pcs
L		Hinge & Self-tapping screws QH-1 (3.5x12mm)	6pcs / 36pcs +2pcs
M		power cord extension cord	1pcs
N		The power adapter	1pcs
O		nail	4pcs
P			
R		Hinge & Self-tapping screws (3.5x12mm)	4pcs / 24pcs +2pcs



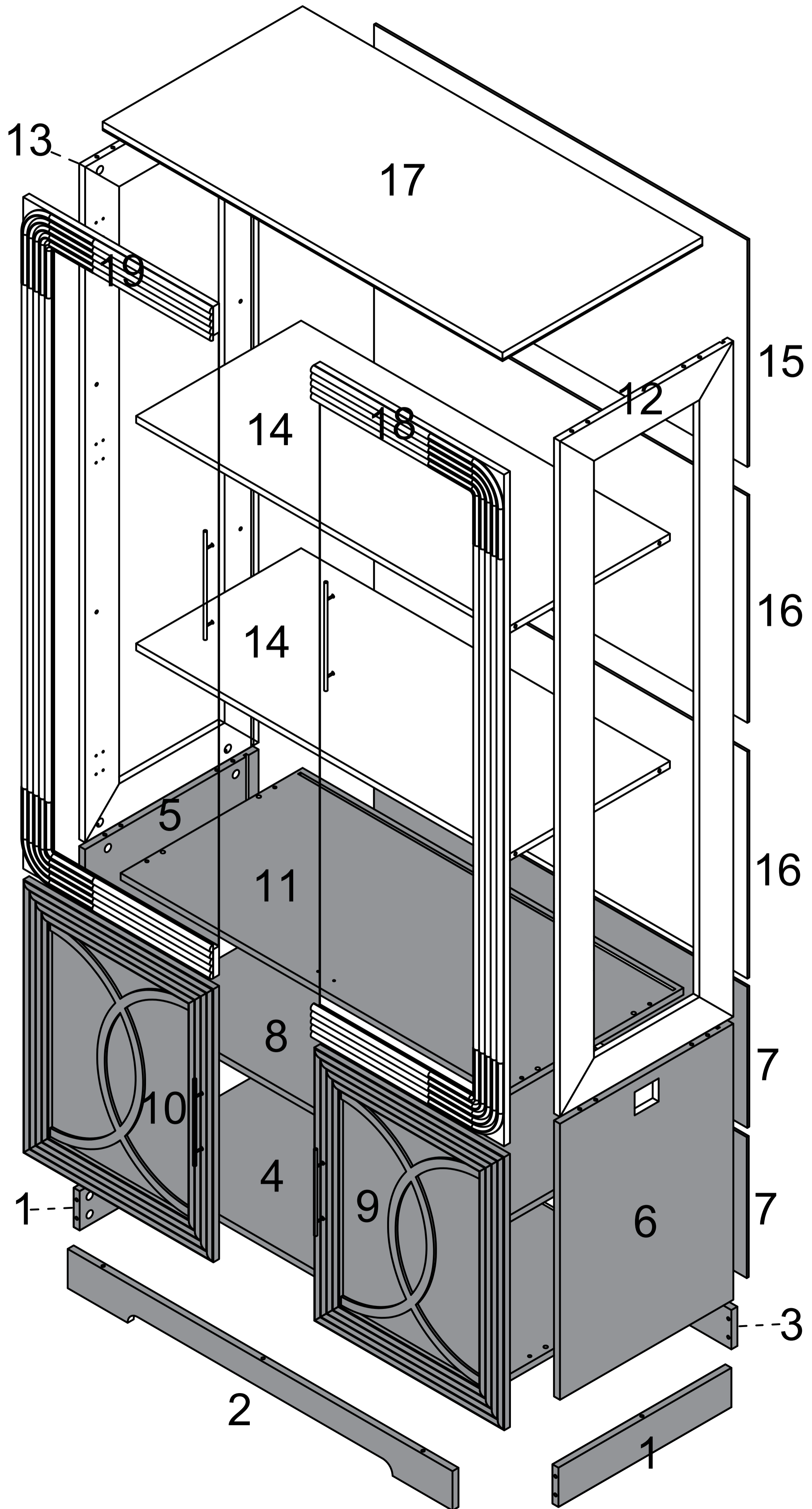
1pcs



Double-head screwdriver, use as required

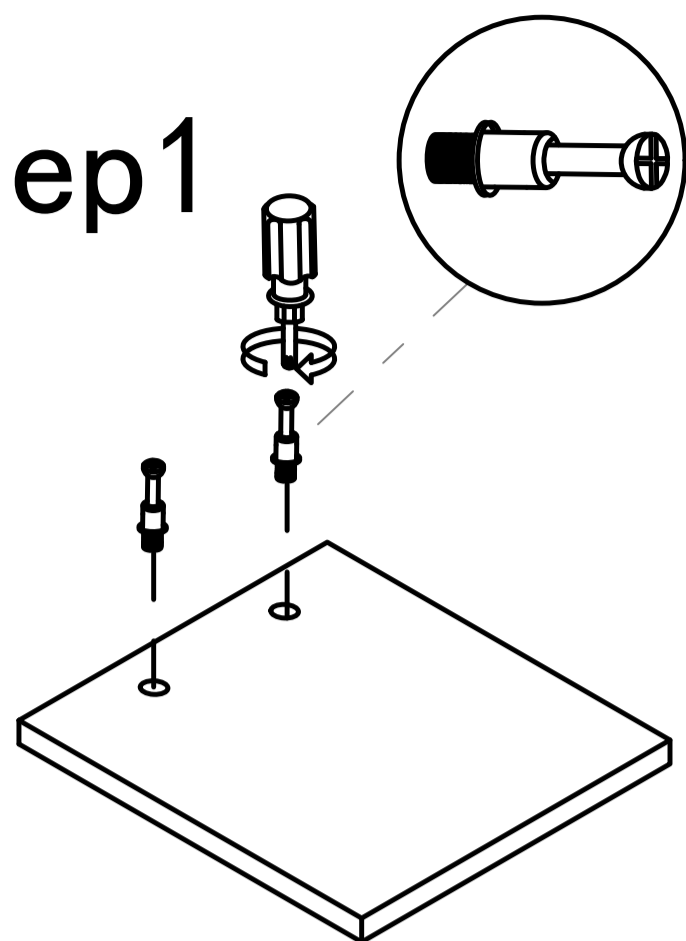


97095 Product Installation Instructions

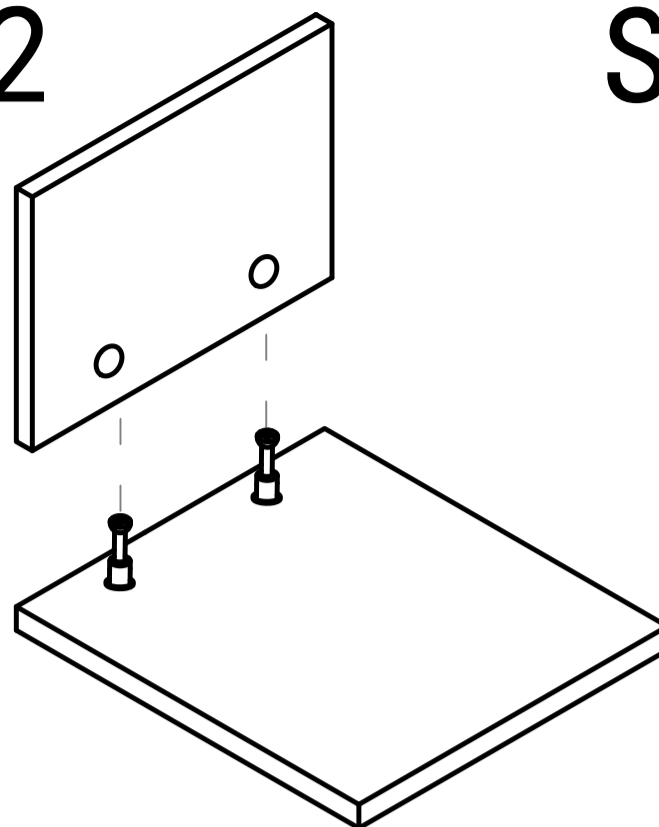


Use parts A and B

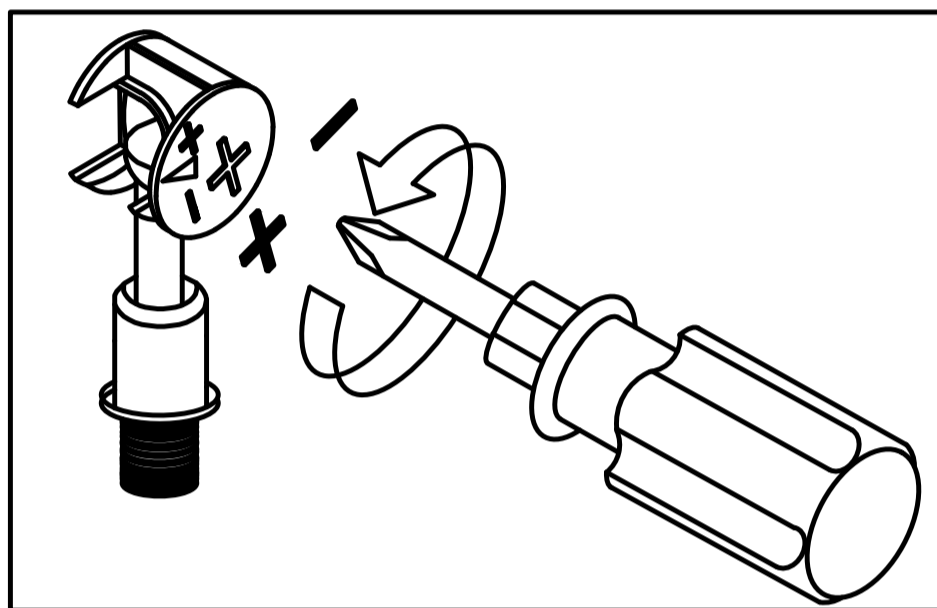
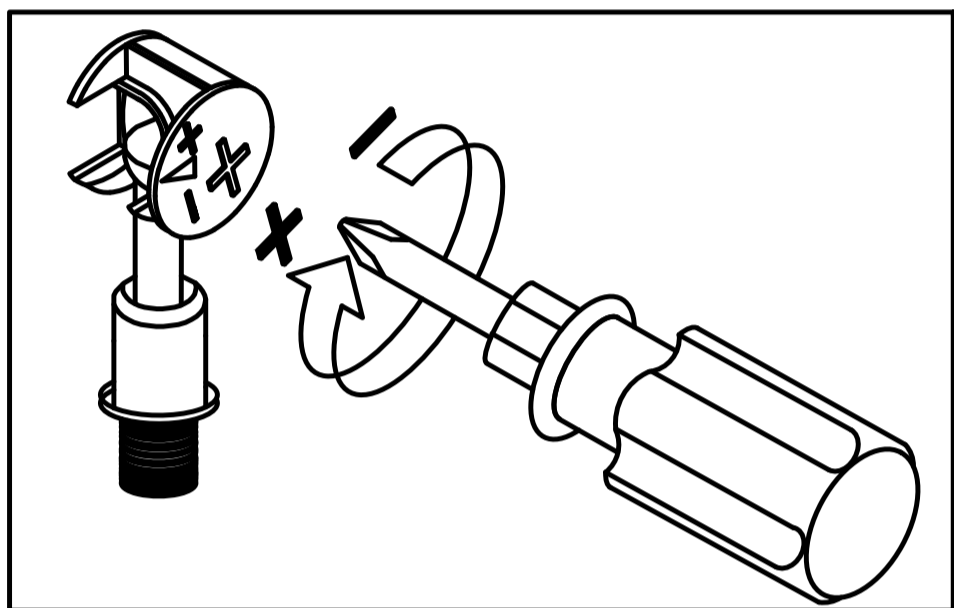
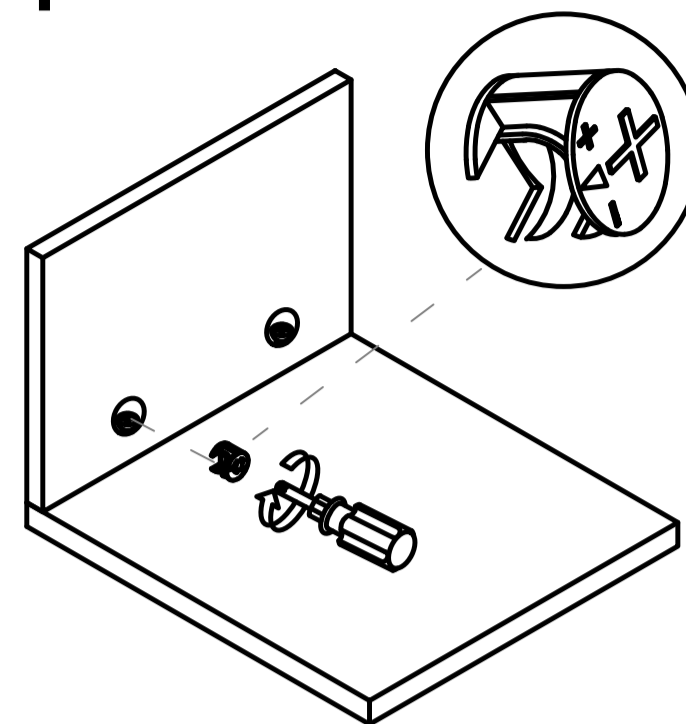
Step 1



Step 2



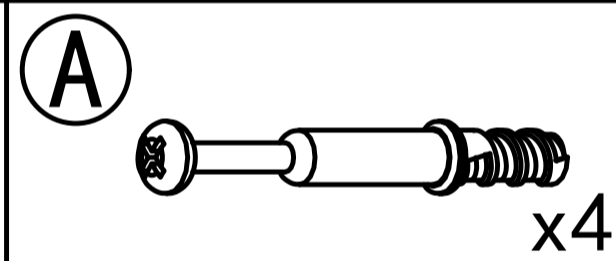
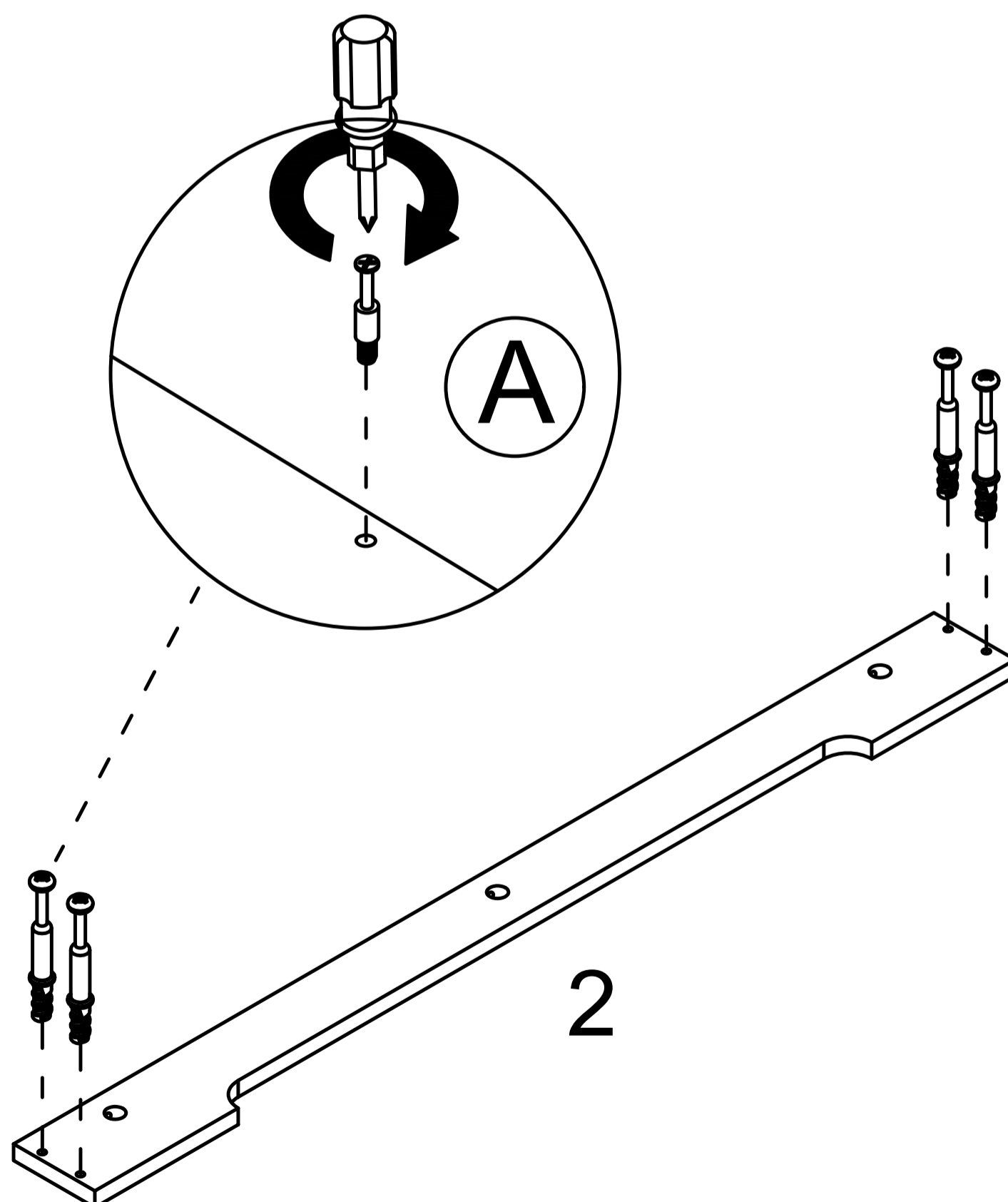
Step 3



Use a screwdriver to lock in the direction of the "+" sign

Disassemble along the direction of "-" sign

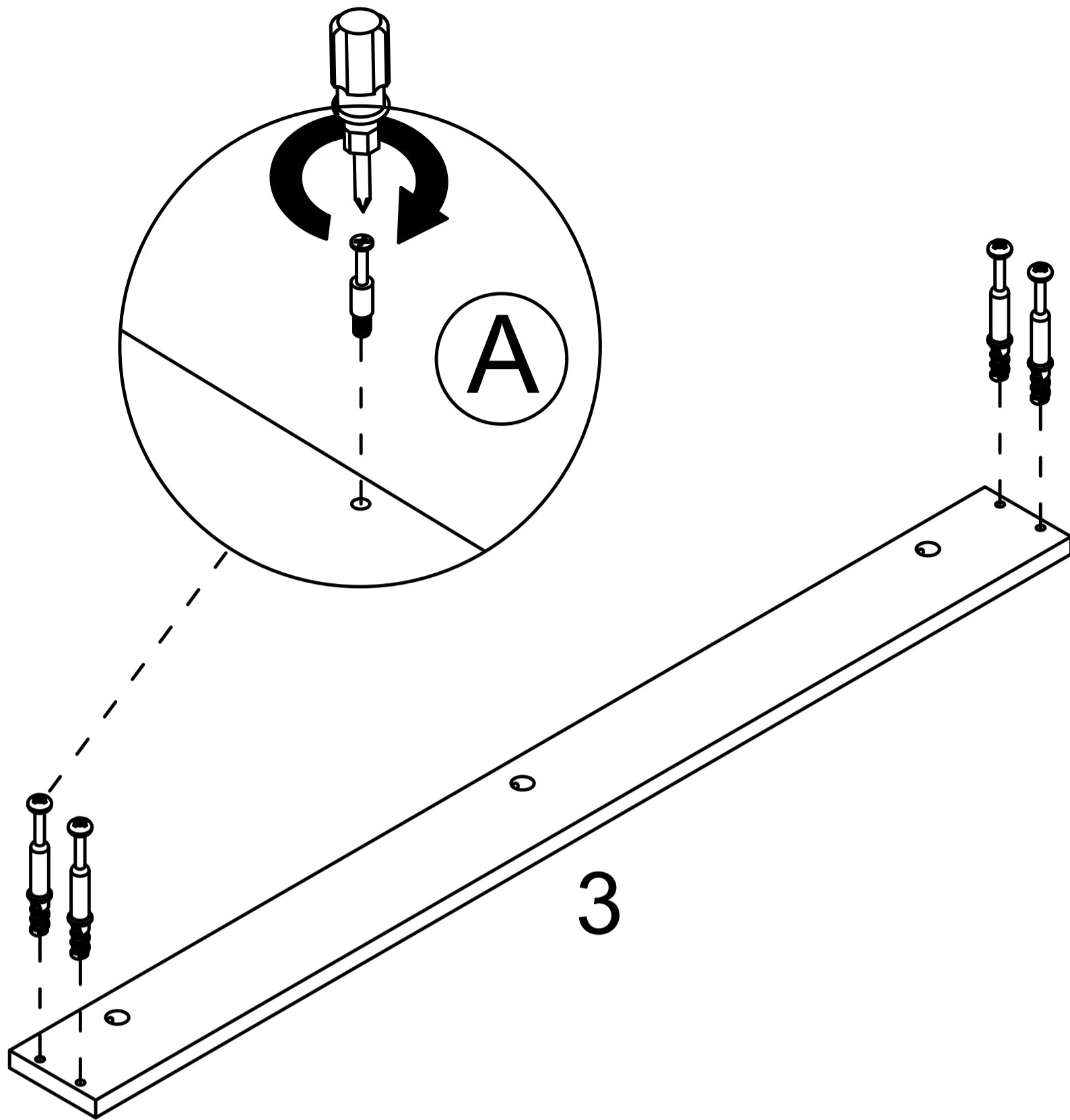
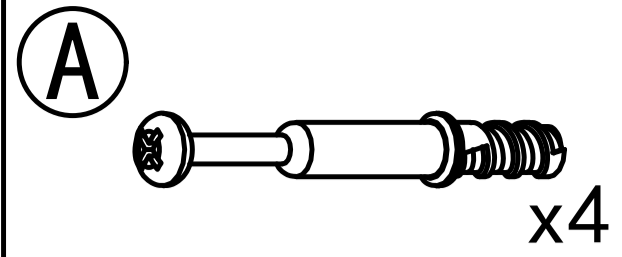
Step 1



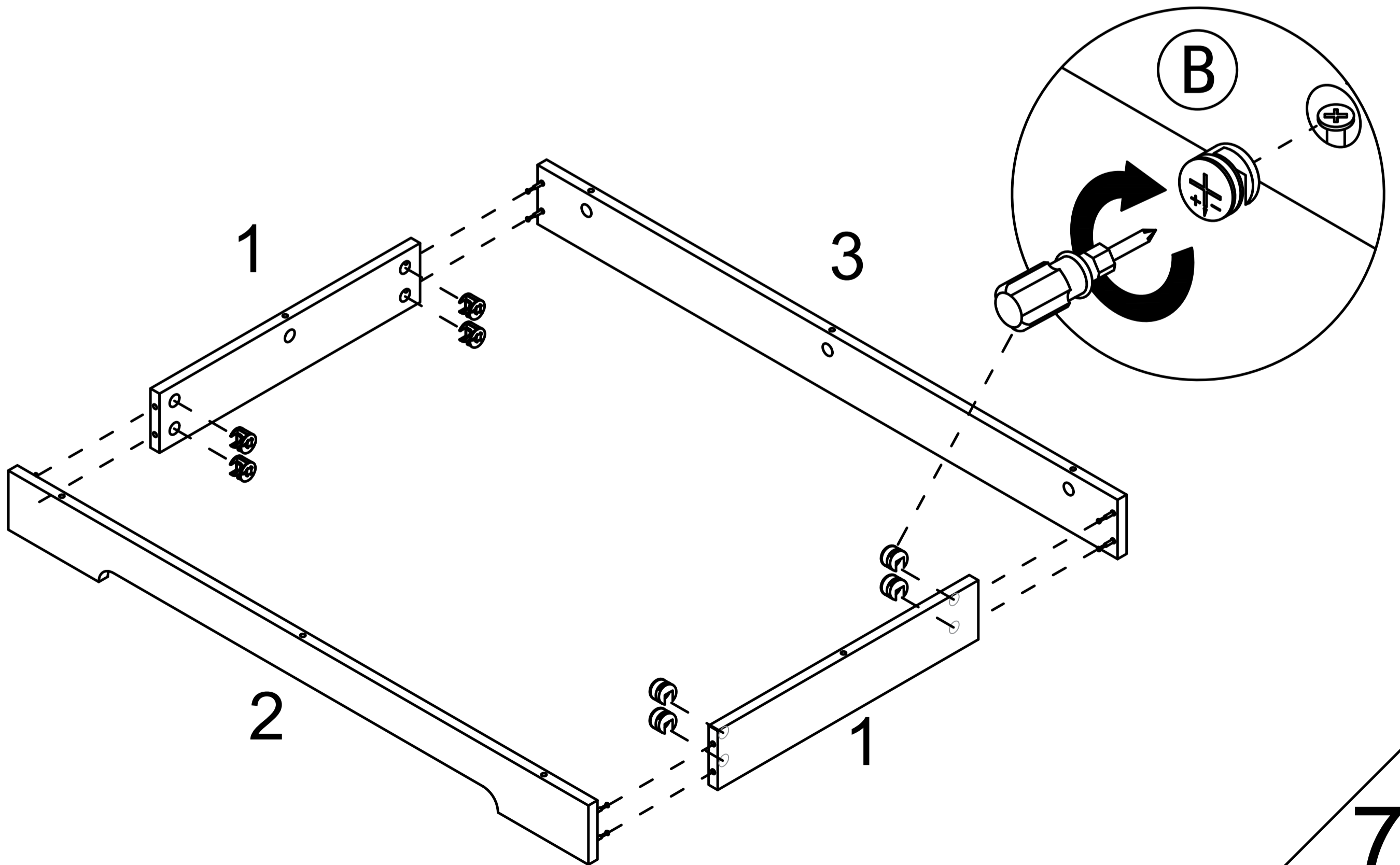
6

SY

Step 2

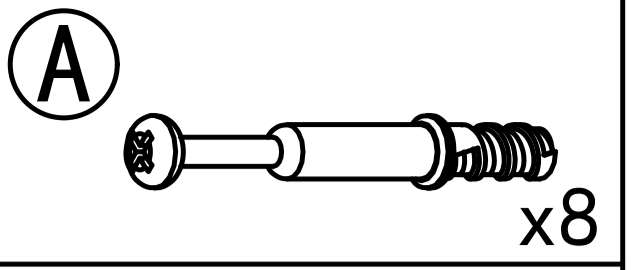
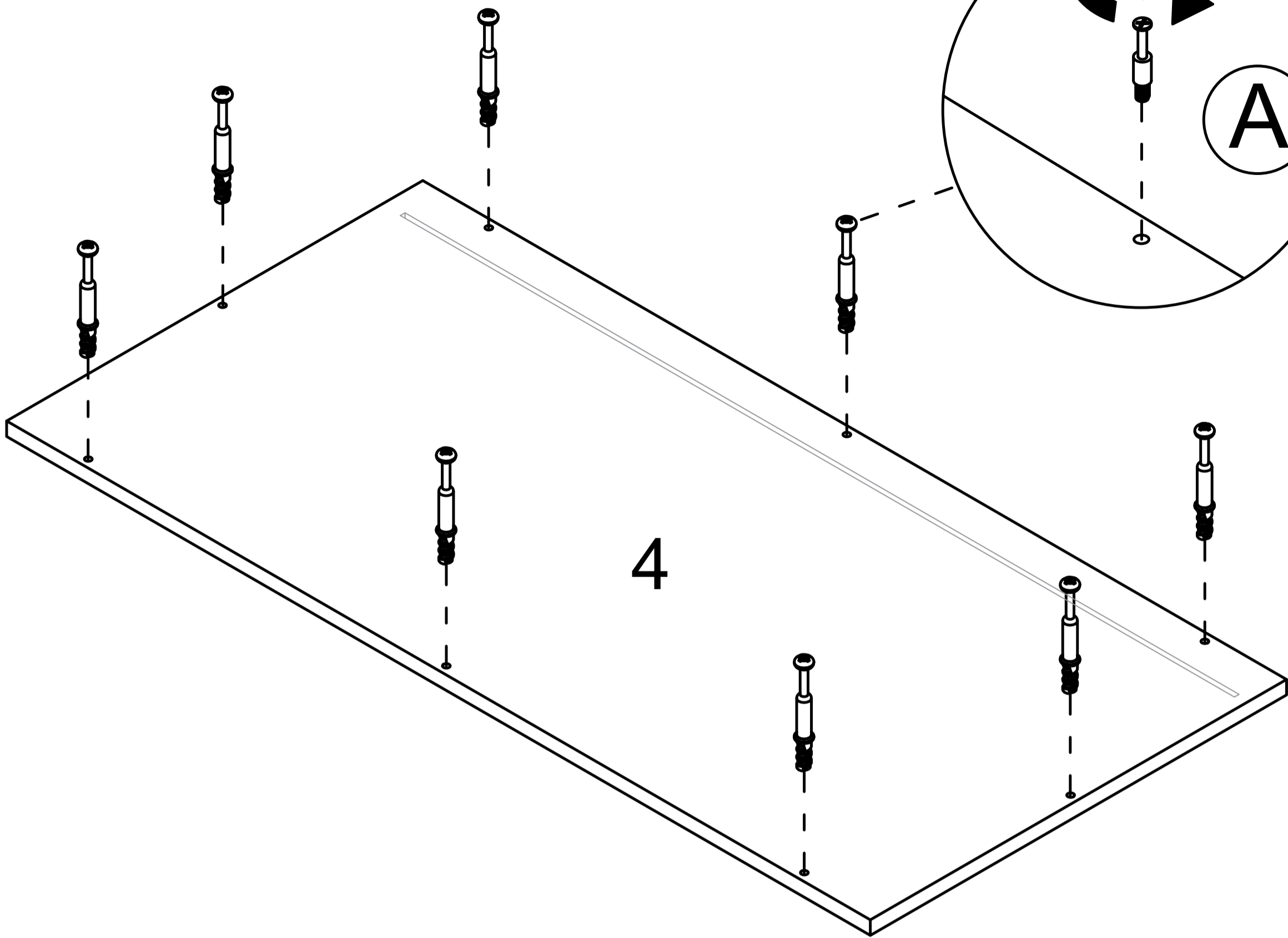


Step 3

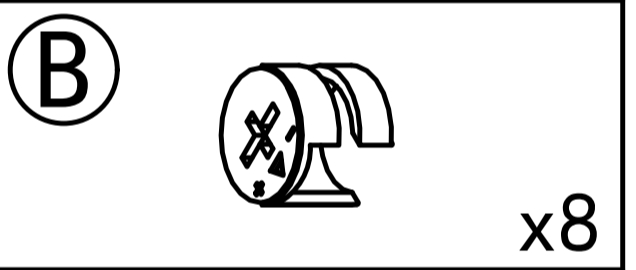
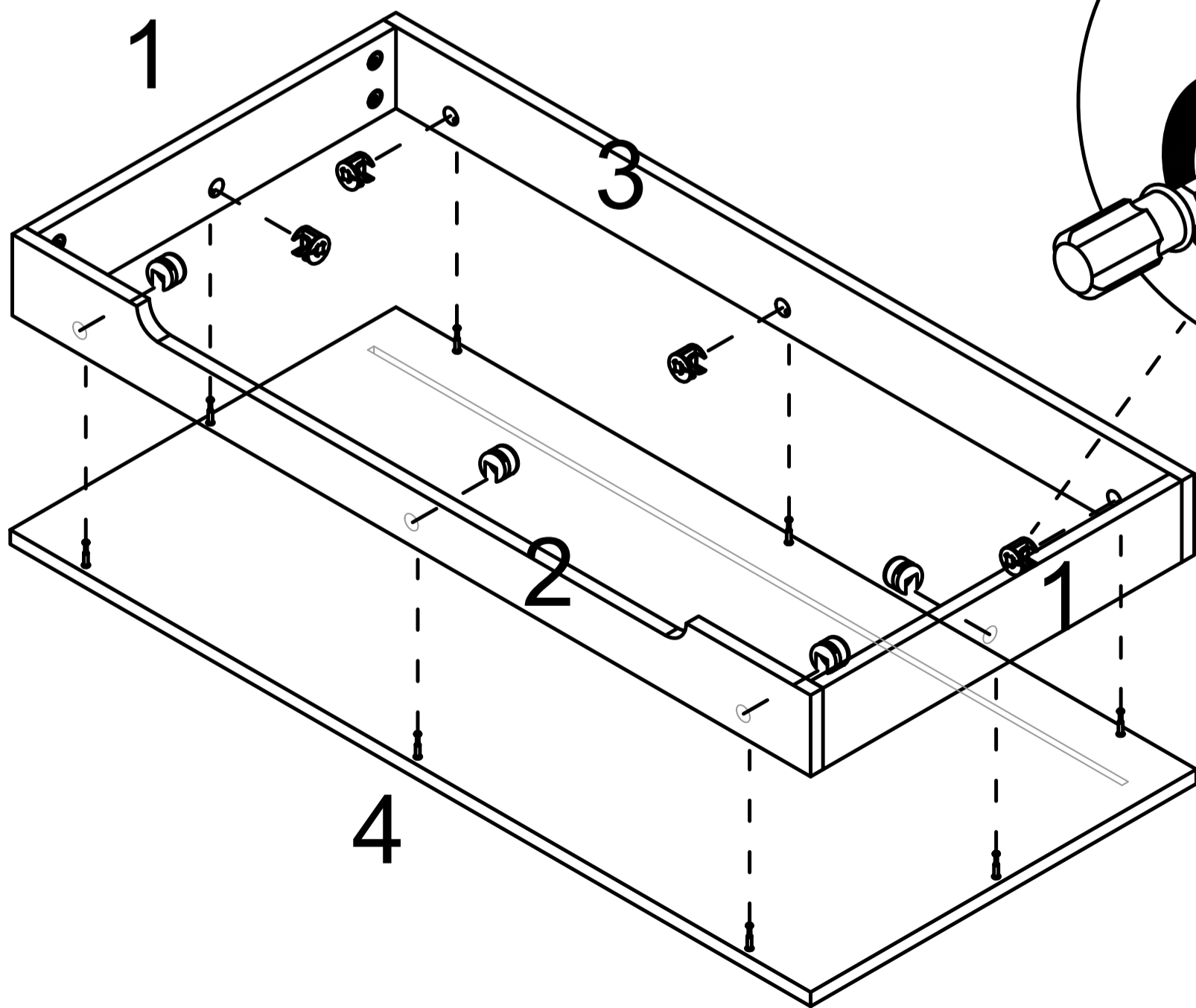


SY

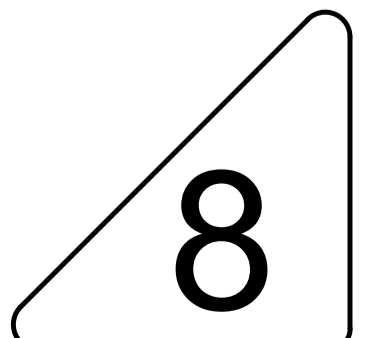
Step 4



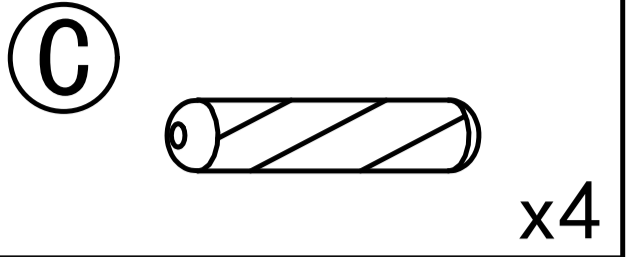
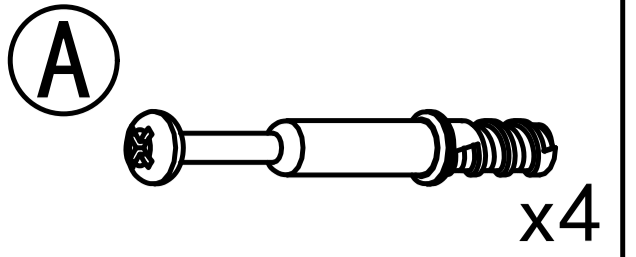
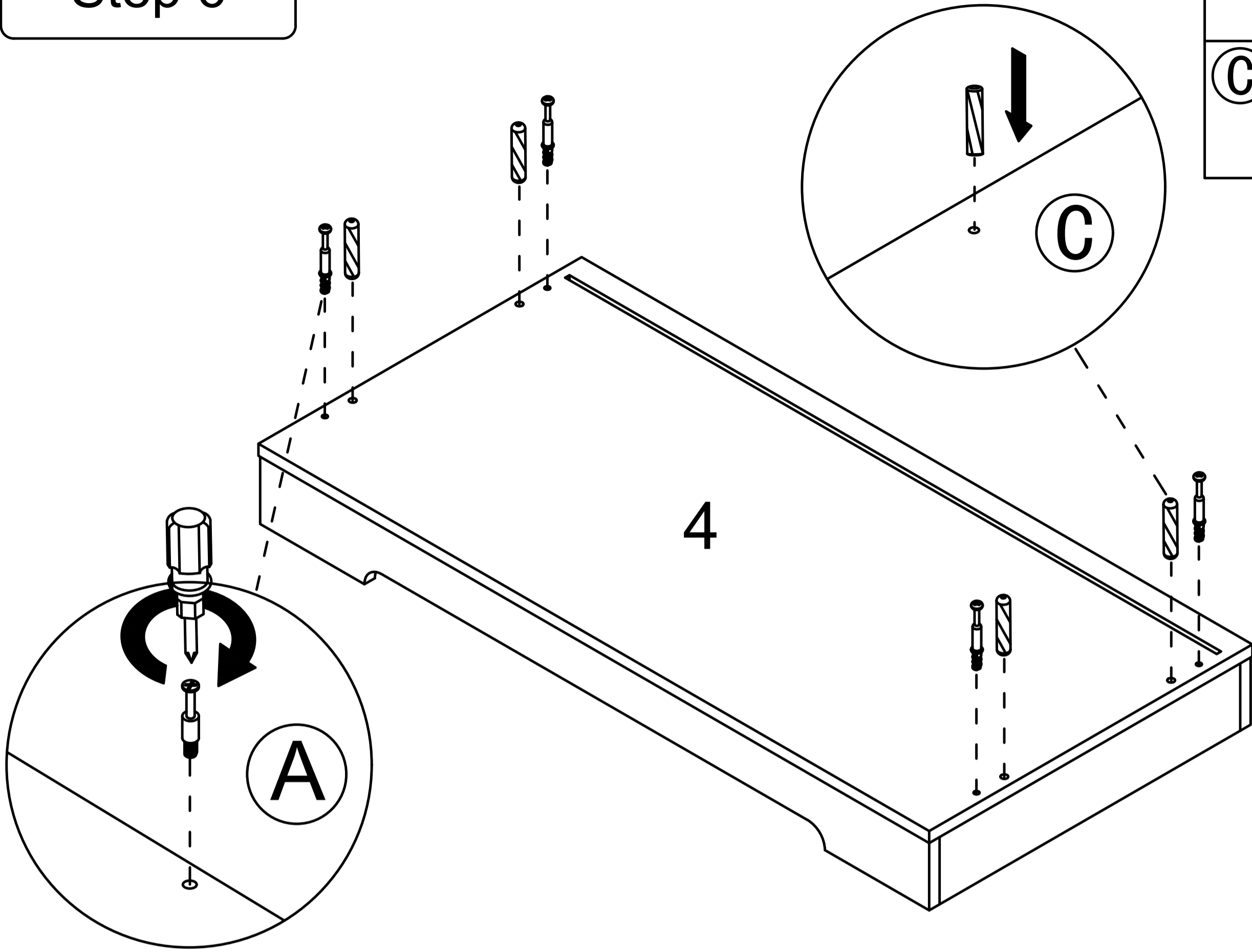
Step 5



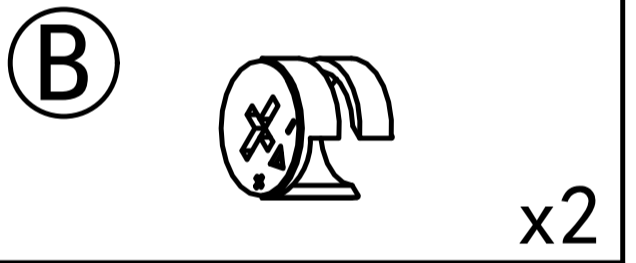
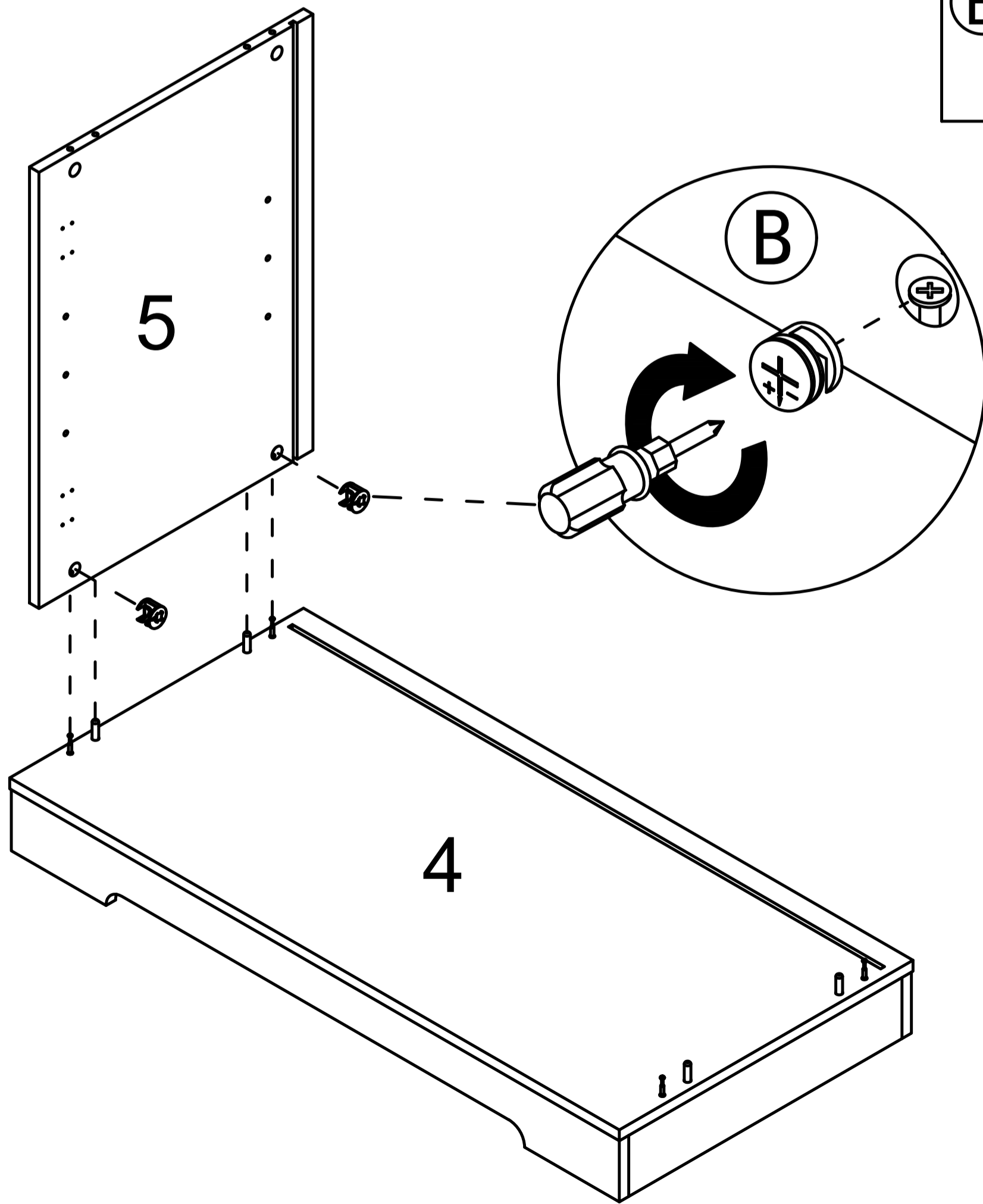
SY



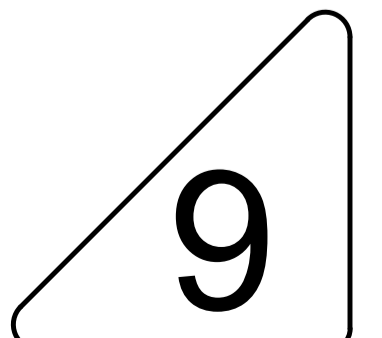
Step 6



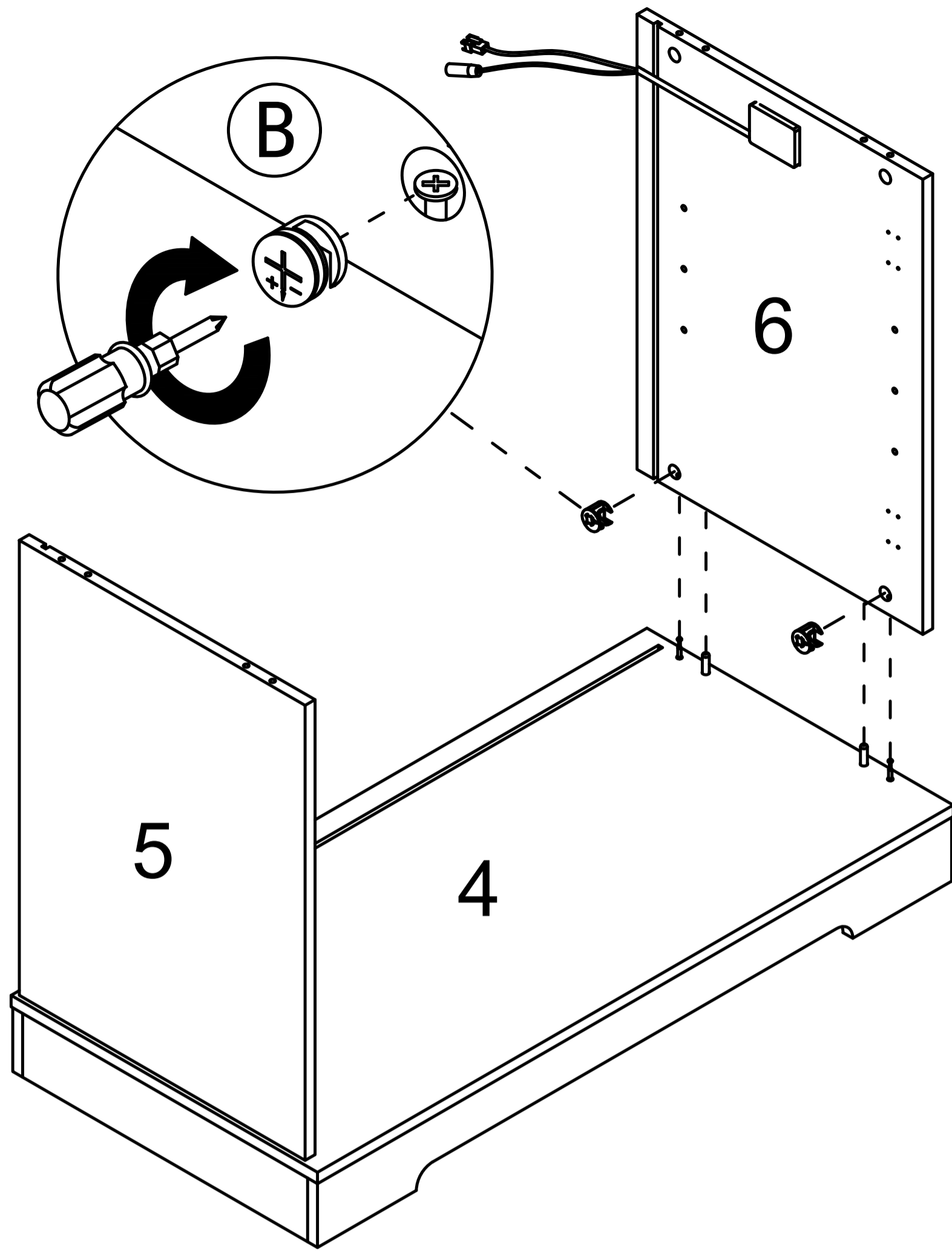
Step 7



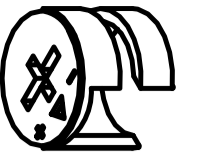
SY



Step 8

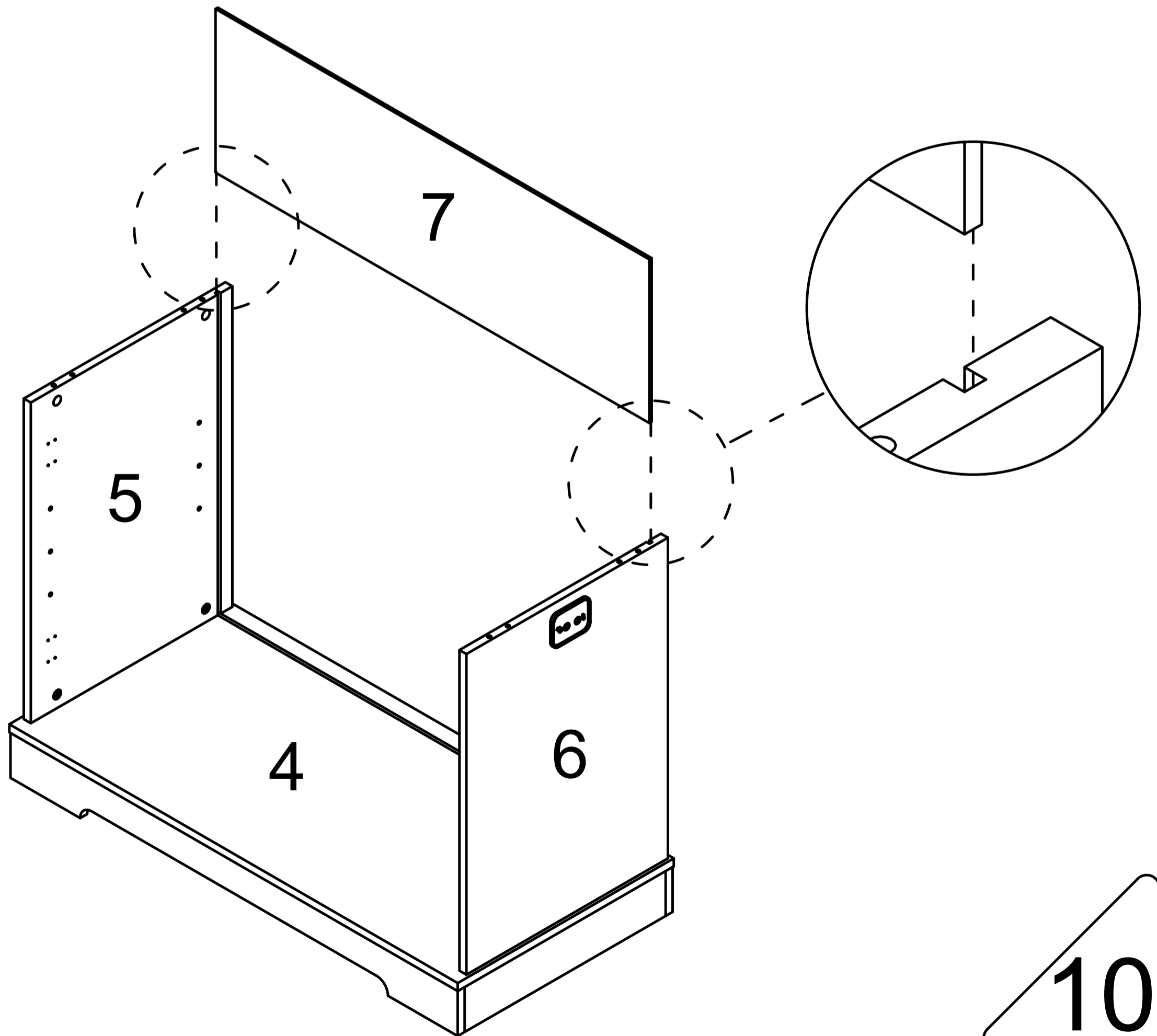


B



x2

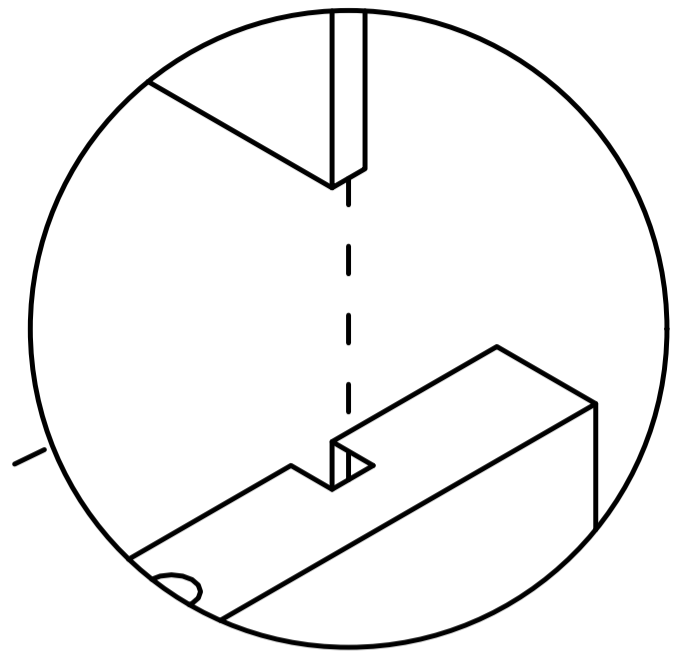
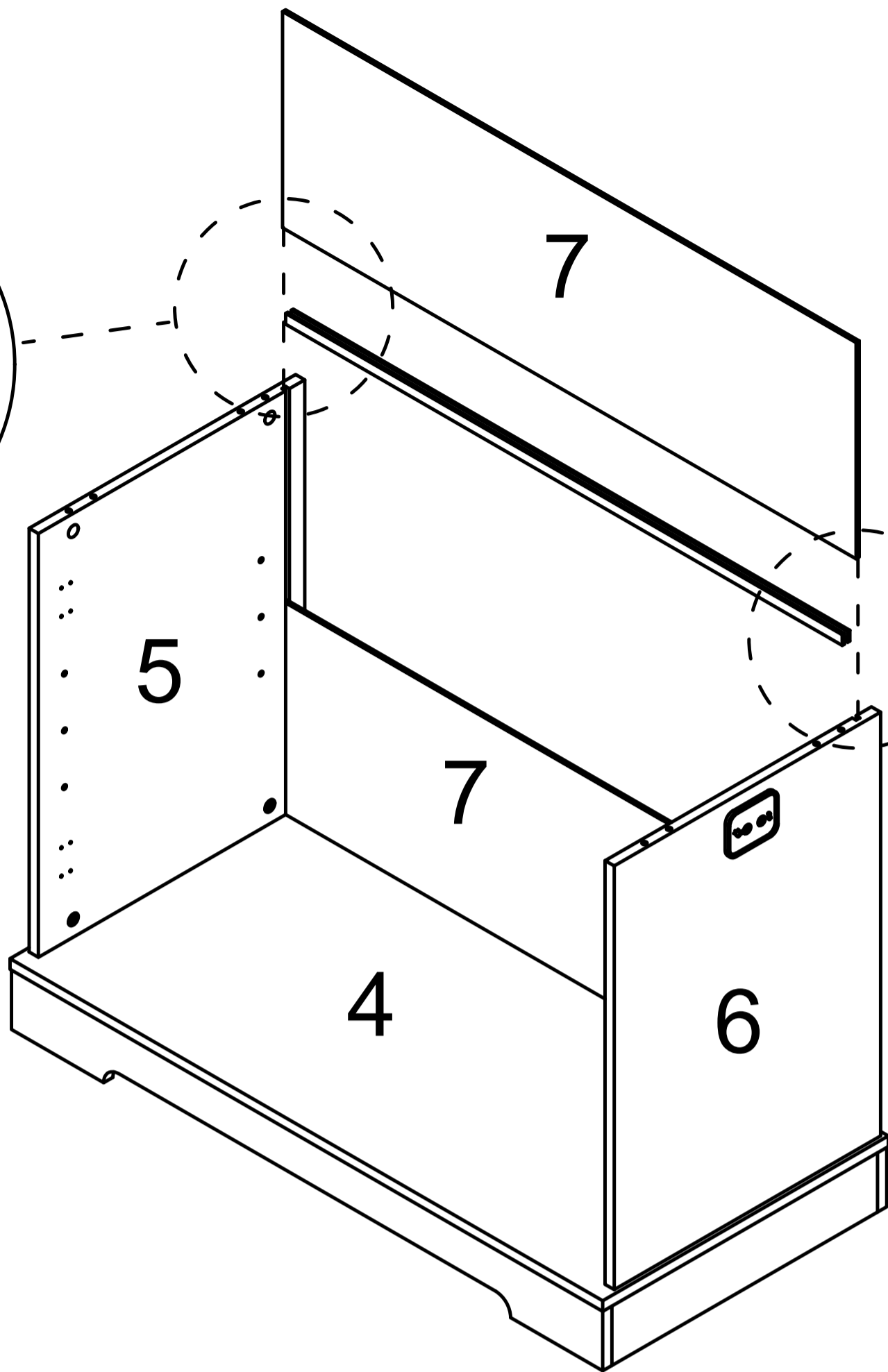
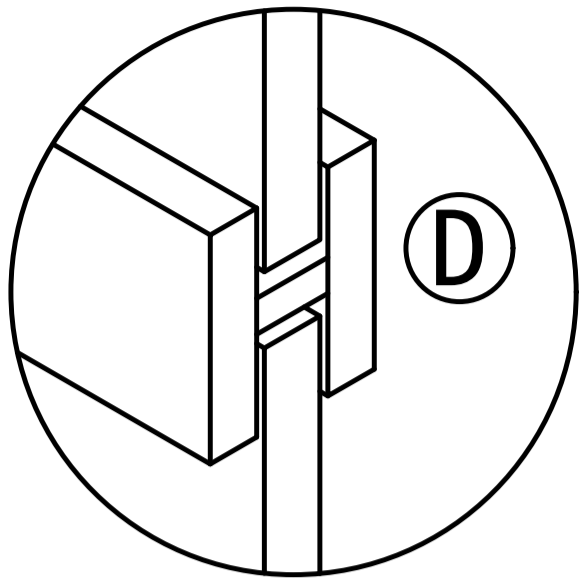
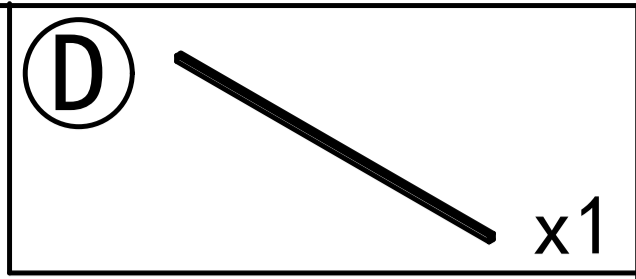
Step 9



10

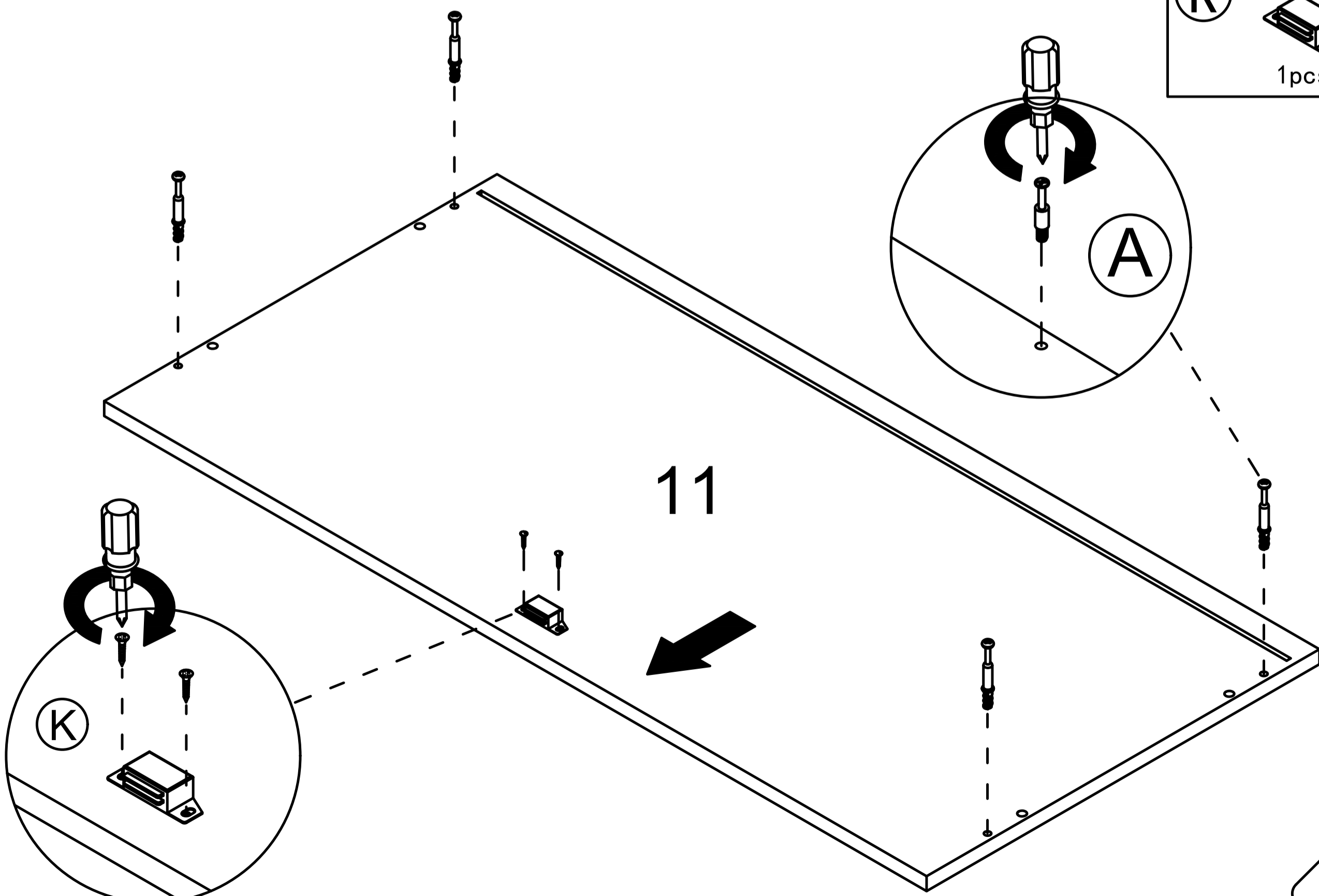
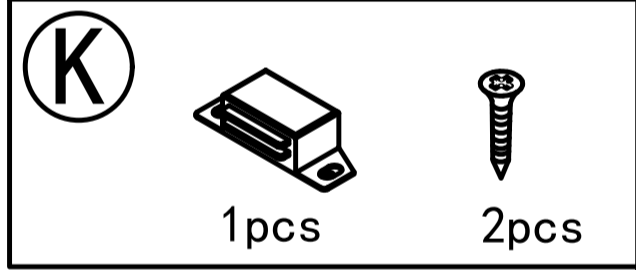
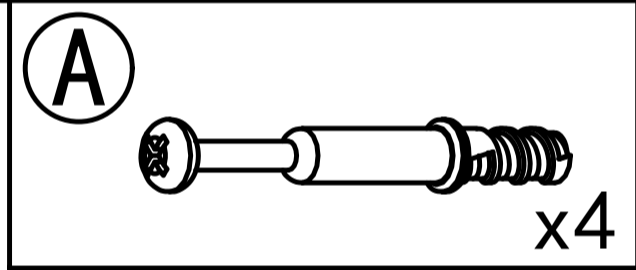
SY

Step 10

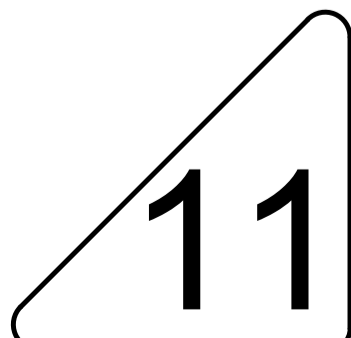


Step 11

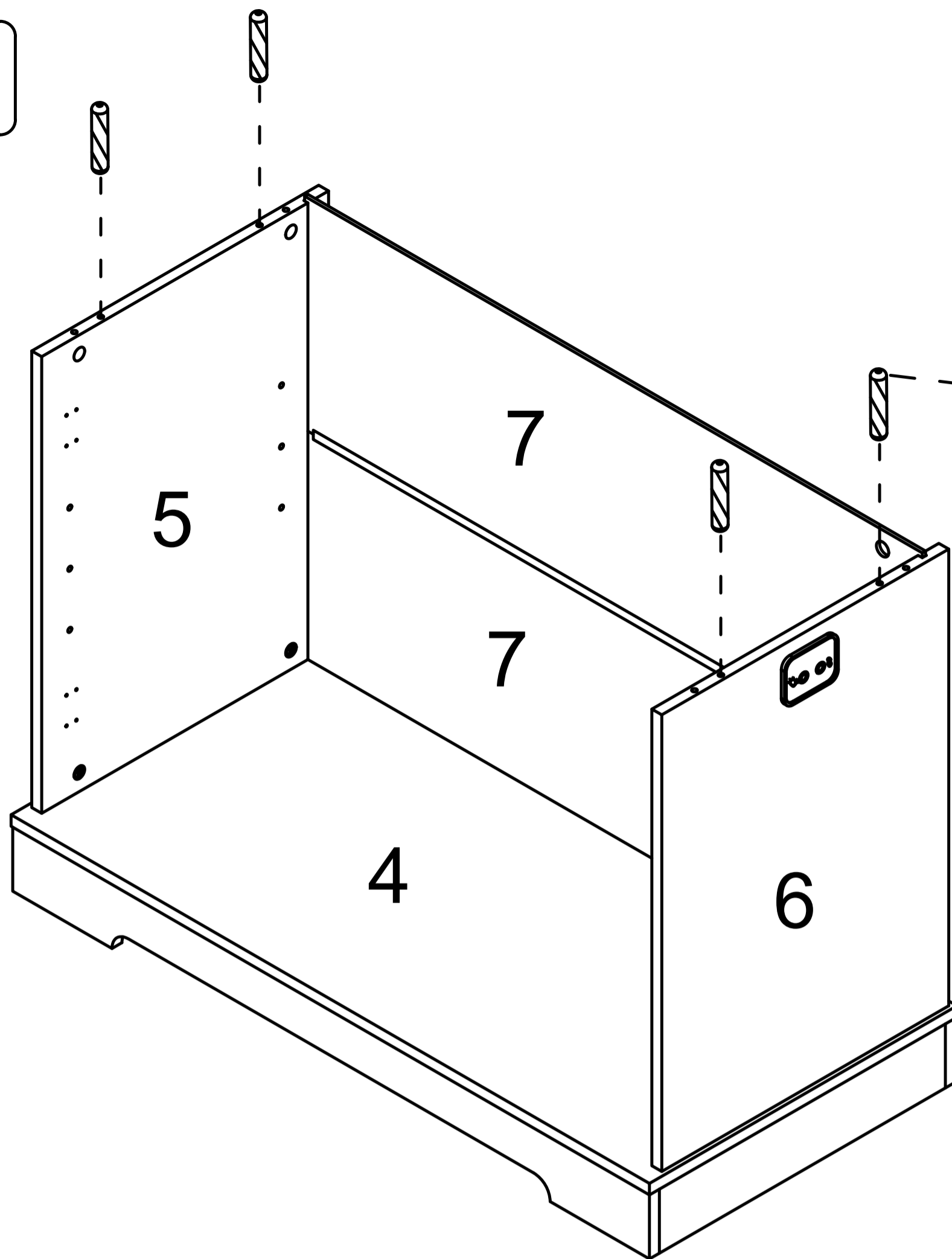
Which side of the arrow is the reverse side, First, install the side with the arrow.



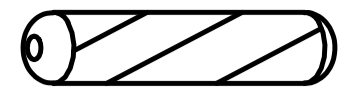
SY



Step 12

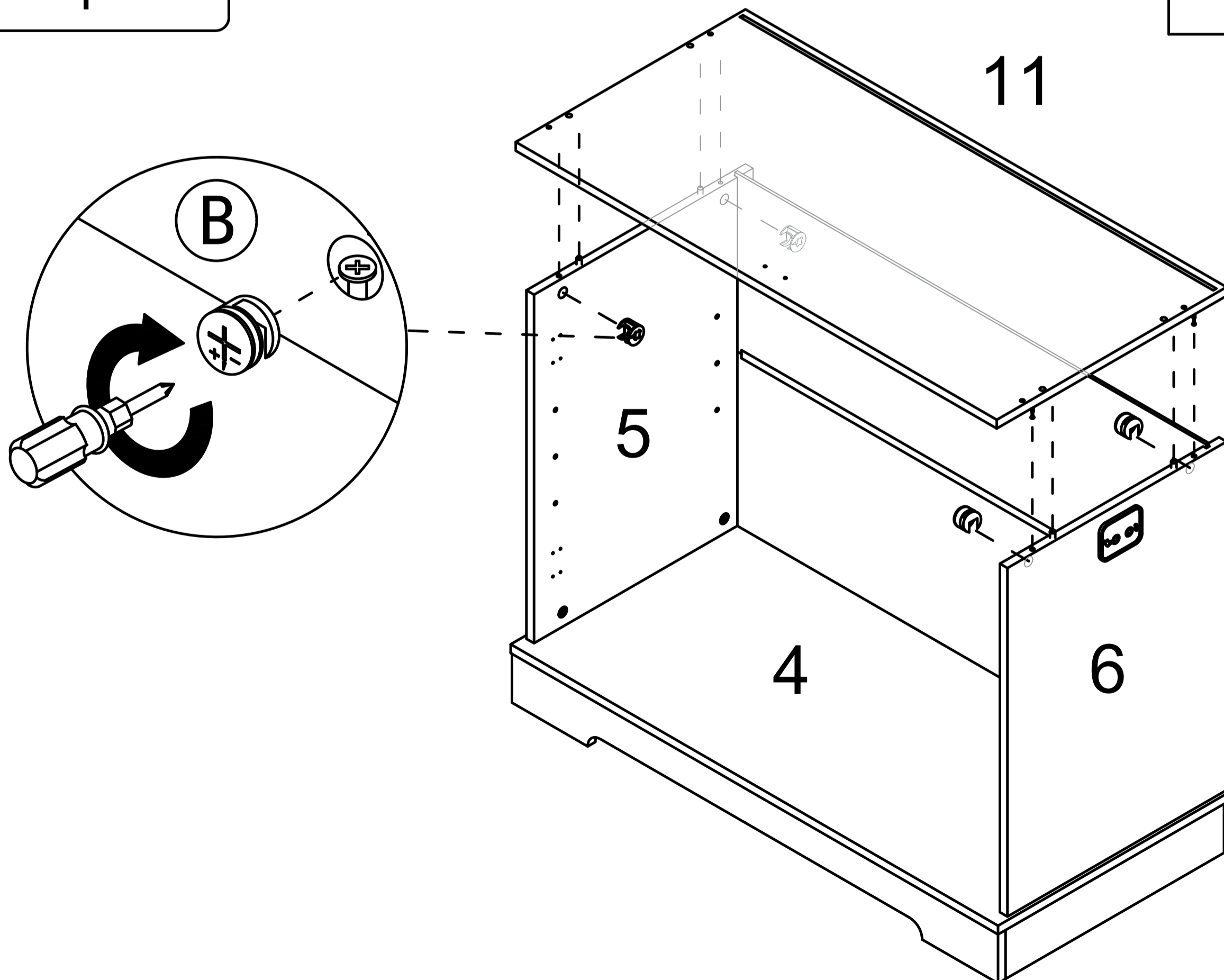


C



x4

Step 13



B



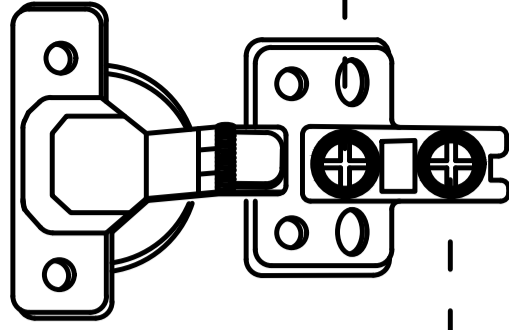
x4

12

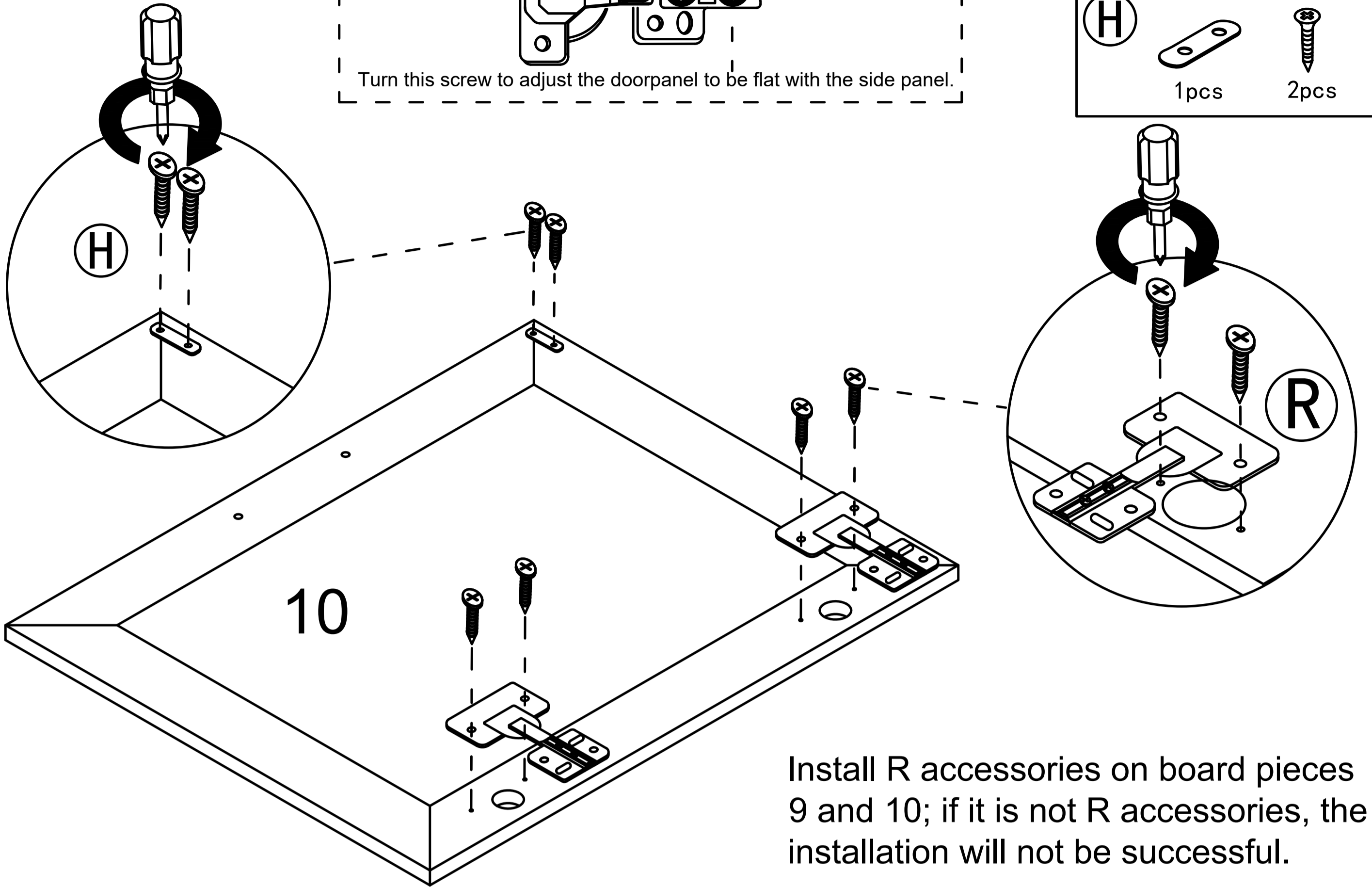
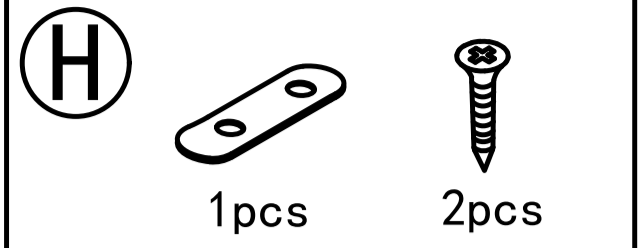
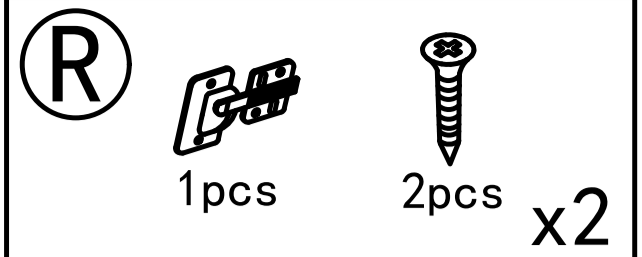
SY

Step 14

Turning this screw can effectively adjust the size of the door gap.

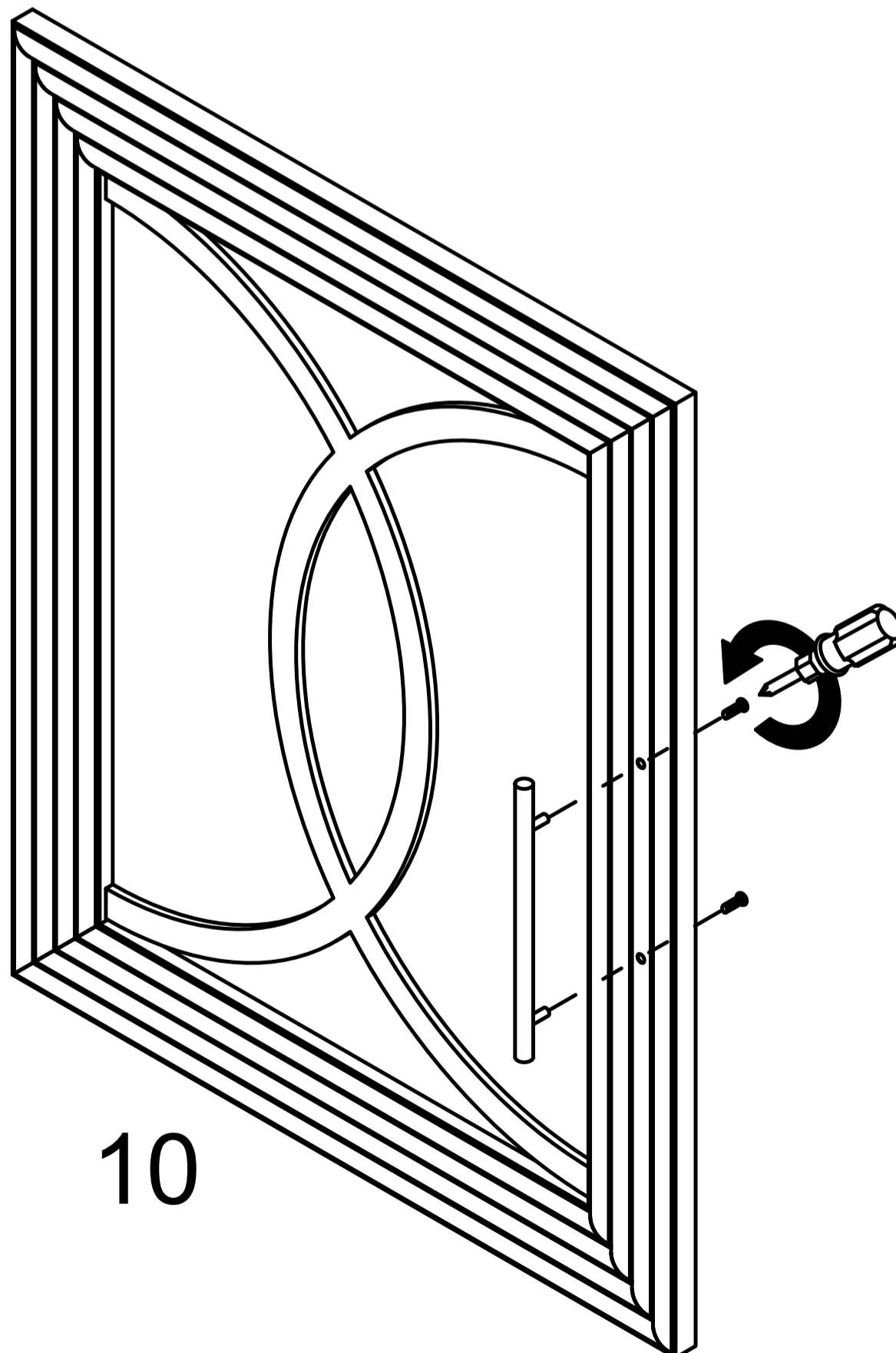
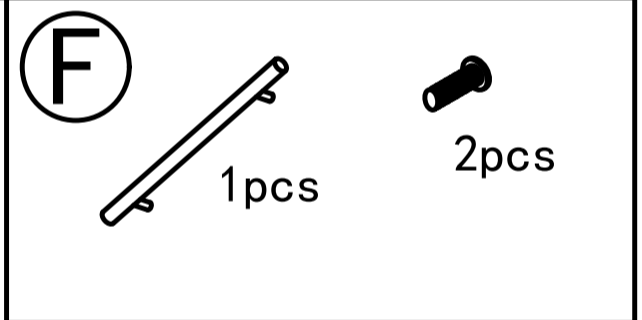


Turn this screw to adjust the doorpanel to be flat with the side panel.




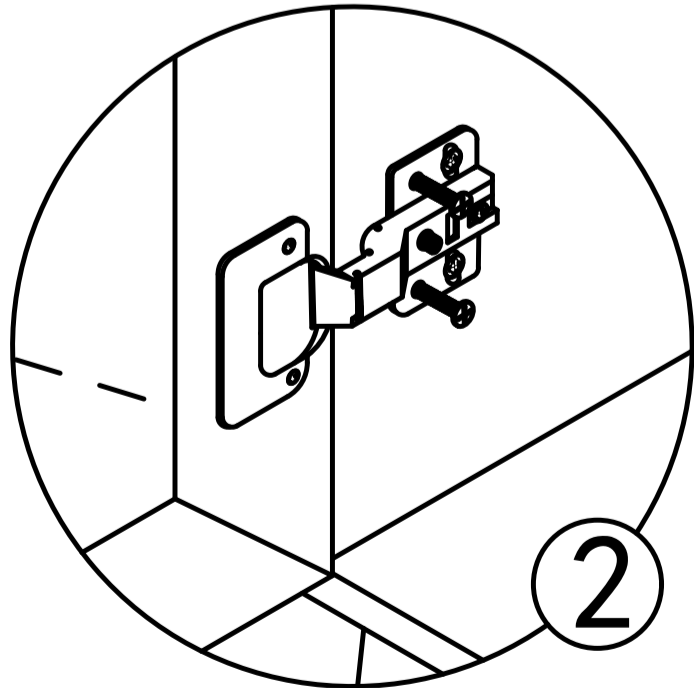
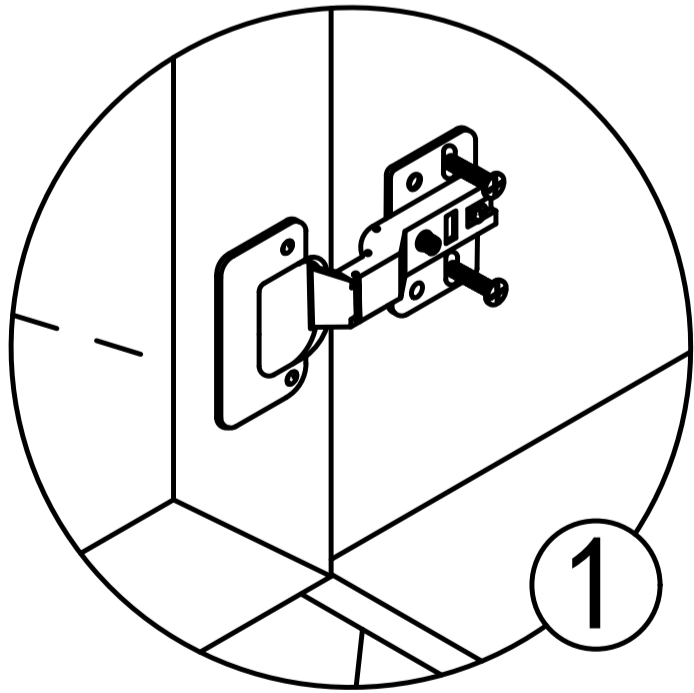
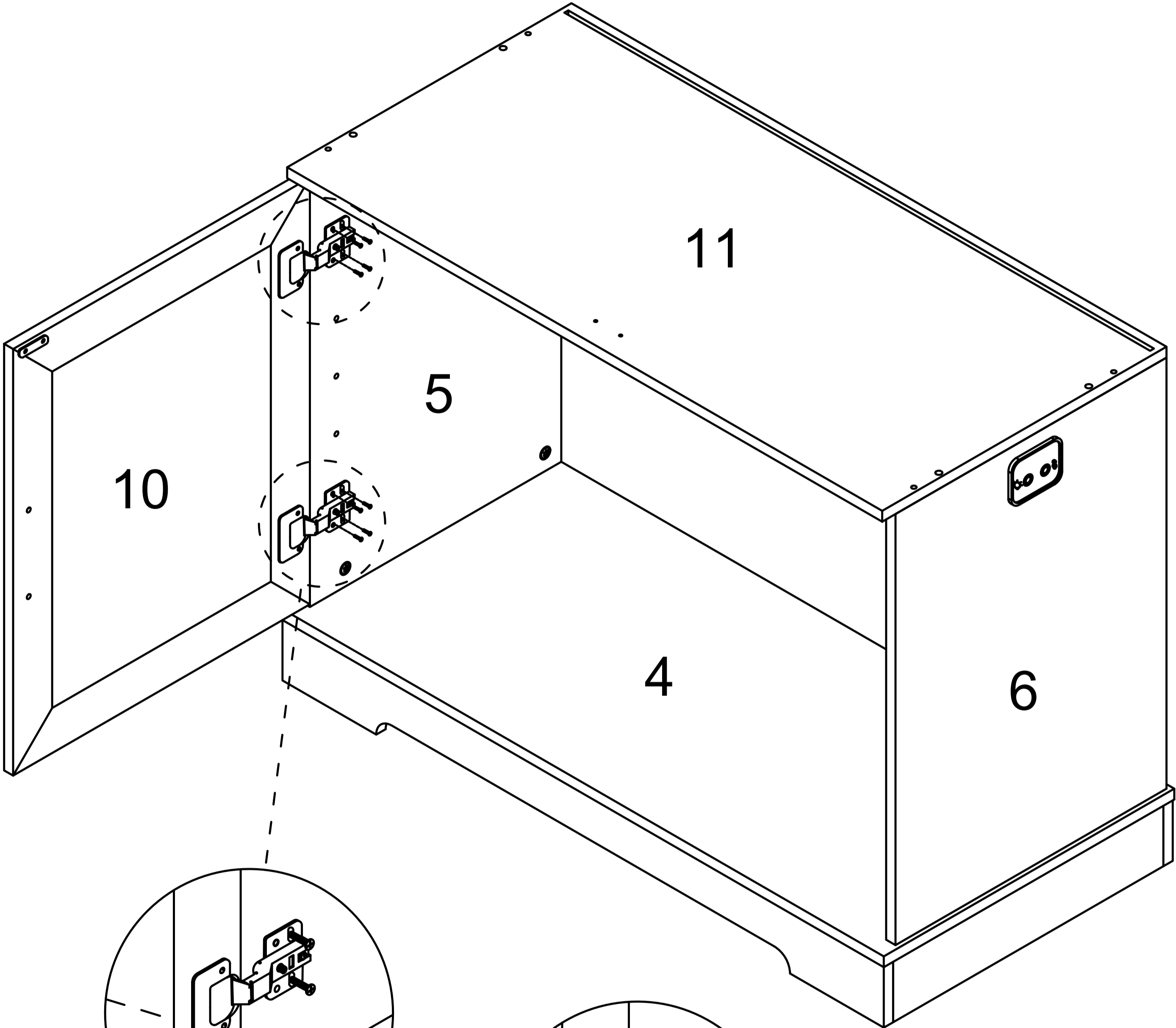
Install R accessories on board pieces 9 and 10; if it is not R accessories, the installation will not be successful.

Step 15



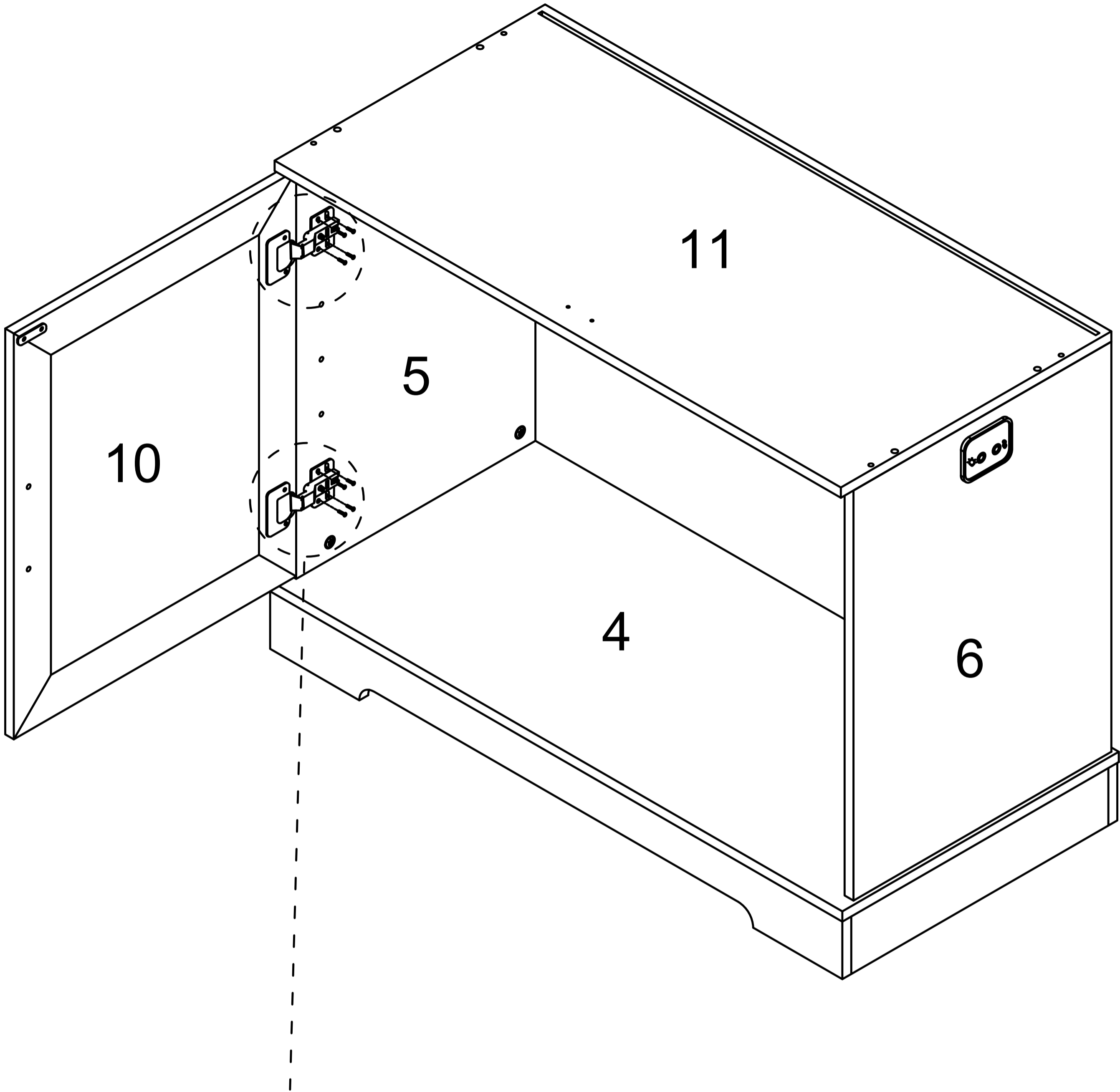
Step 16

Ⓜ  x8

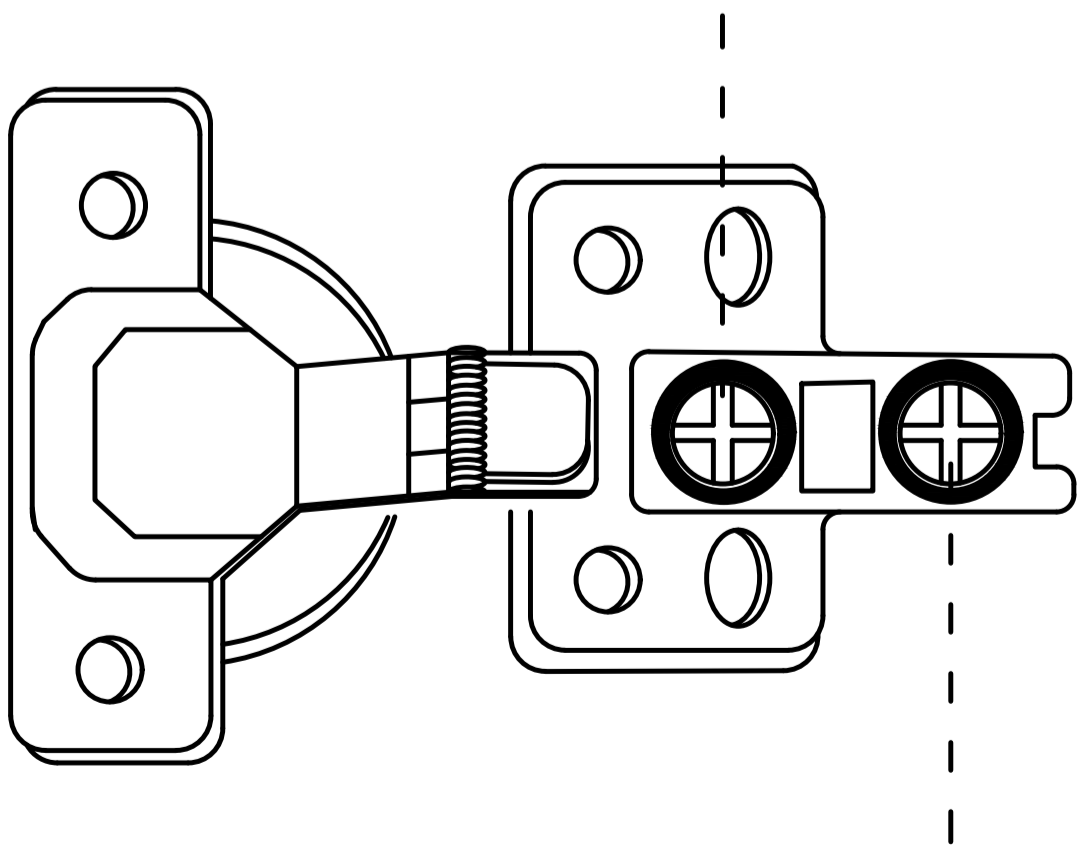


First lock the elliptical hole
then lock the fixed hole

Step 17



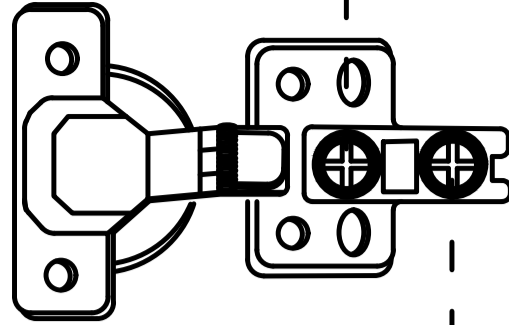
Turning this screw can effectively adjust the size of the door gap.



Turn this screw to adjust the door panel to be flat with the side panel.

Step 18

Turning this screw can effectively adjust the size of the door gap.

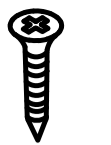


Turn this screw to adjust the doorpanel to be flat with the side panel.

(R)



1pcs



2pcs

x2

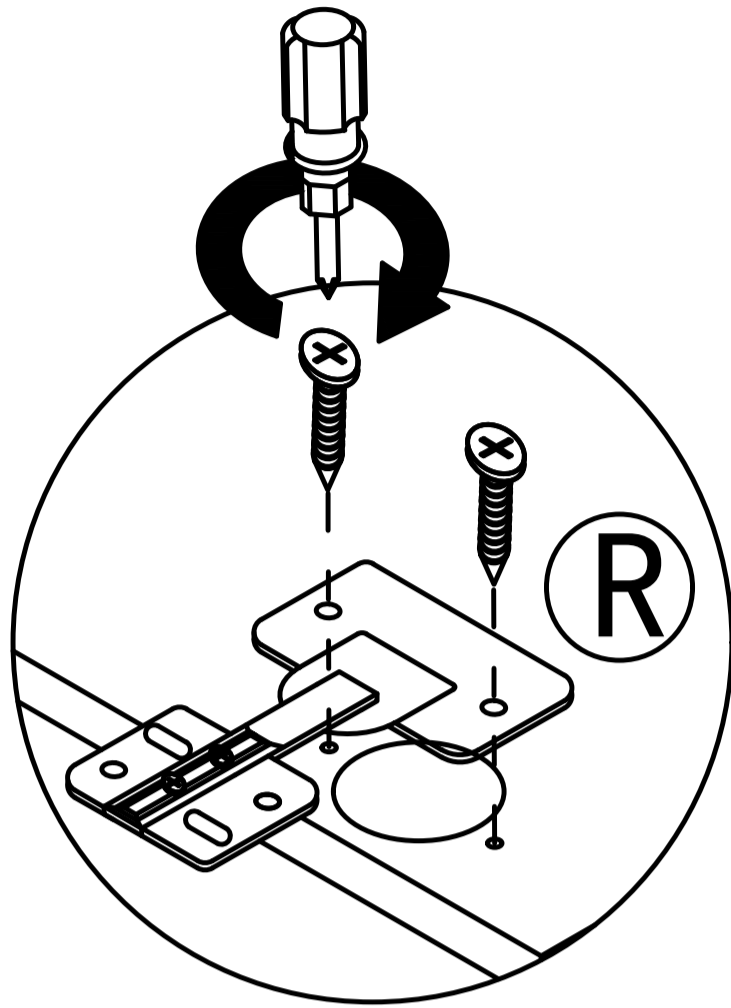
(H)



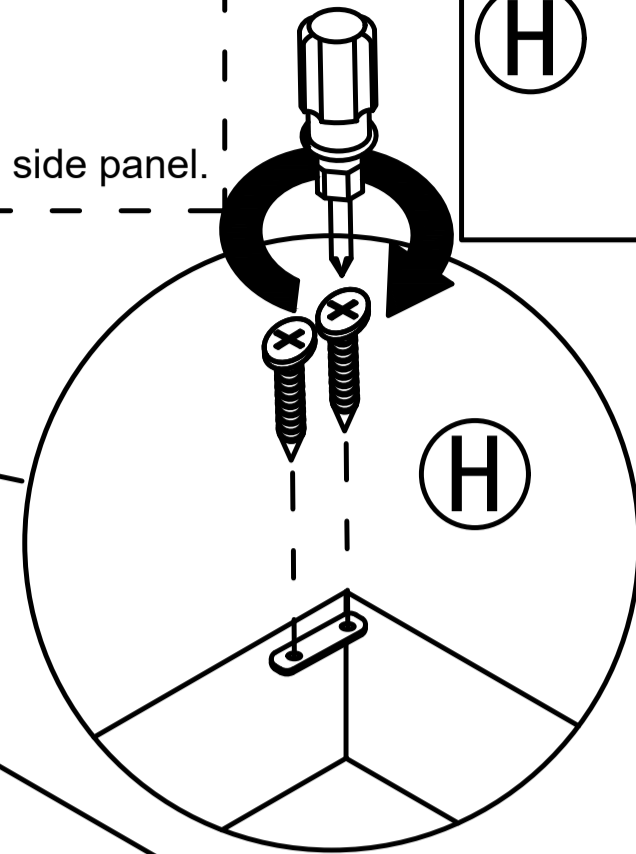
1pcs



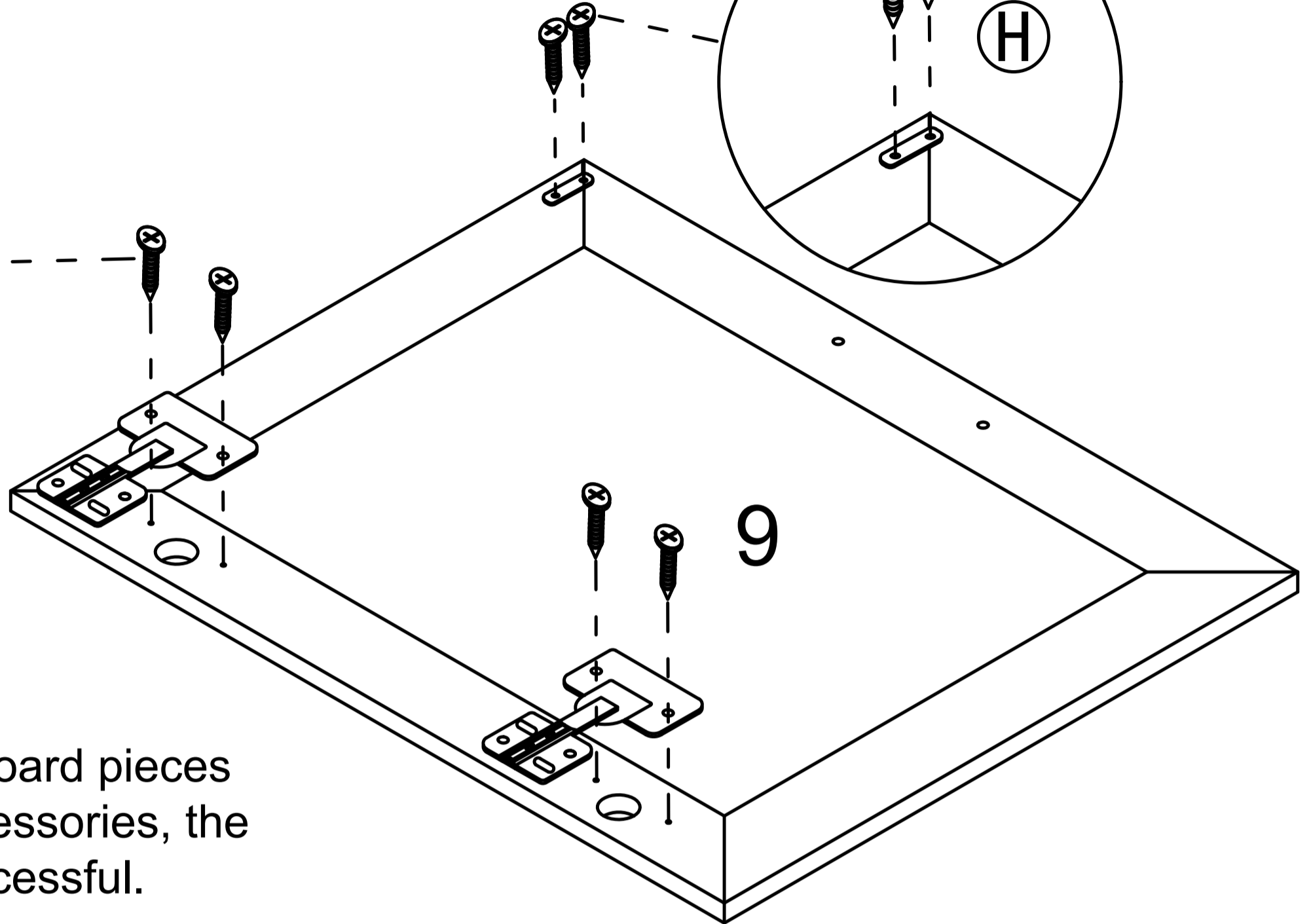
2pcs



(R)



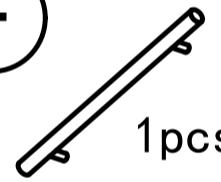
(H)



Install R accessories on board pieces 9 and 10; if it is not R accessories, the installation will not be successful.

Step 19

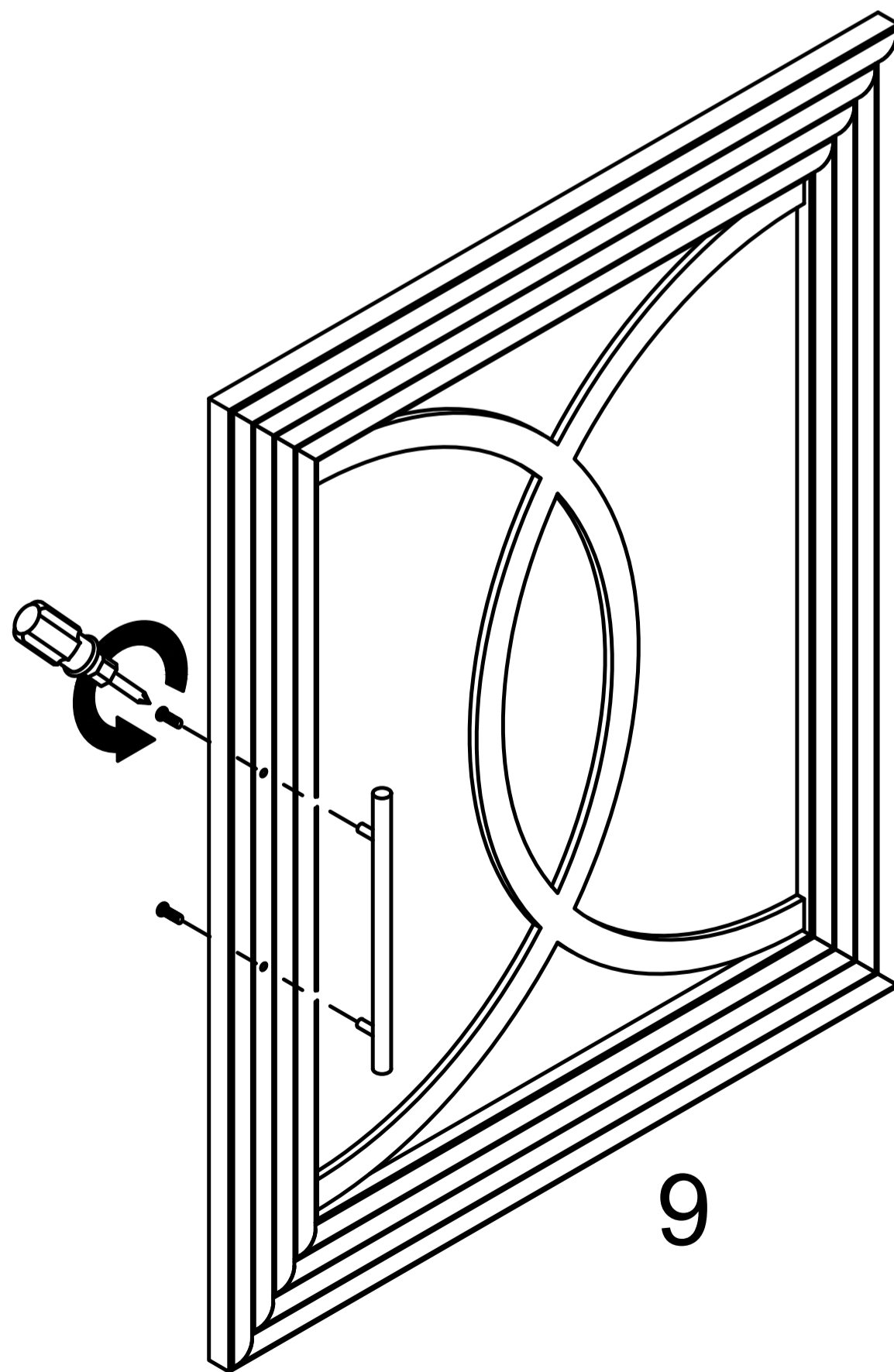
(F)



1pcs



2pcs




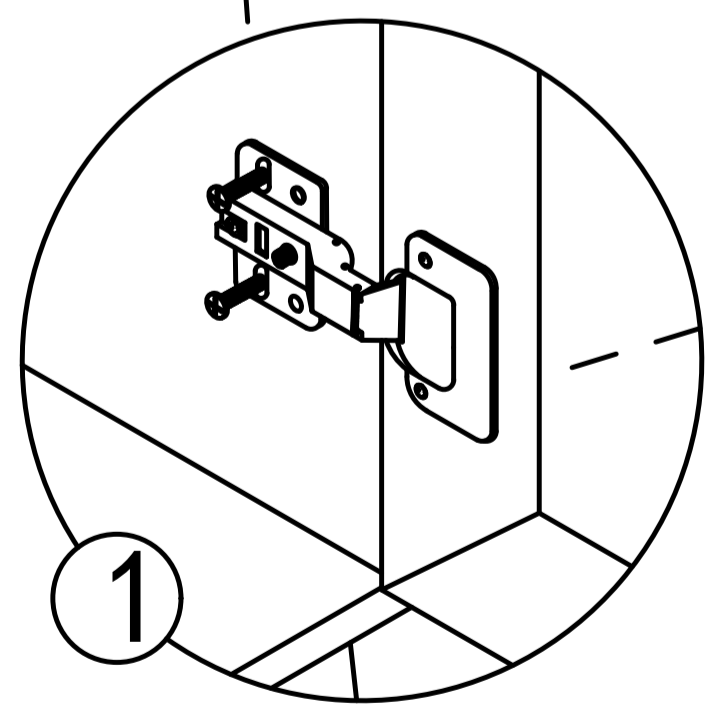
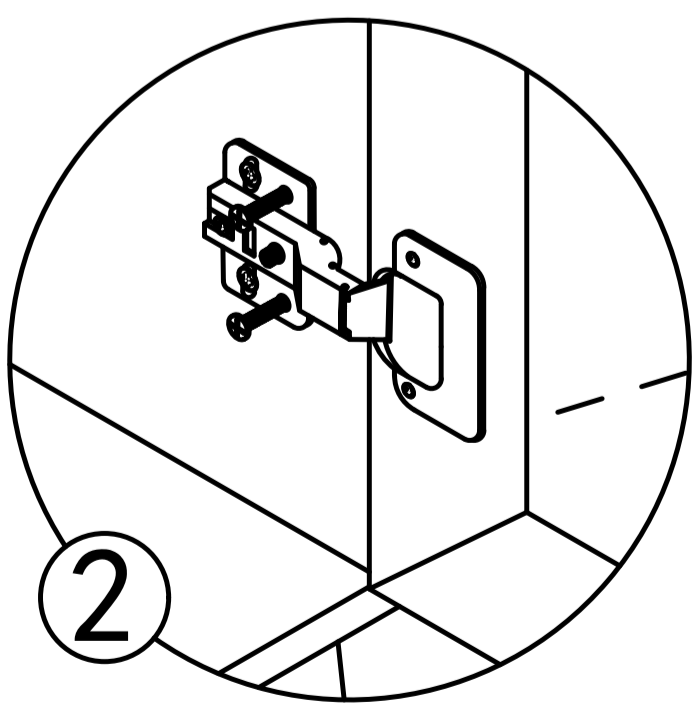
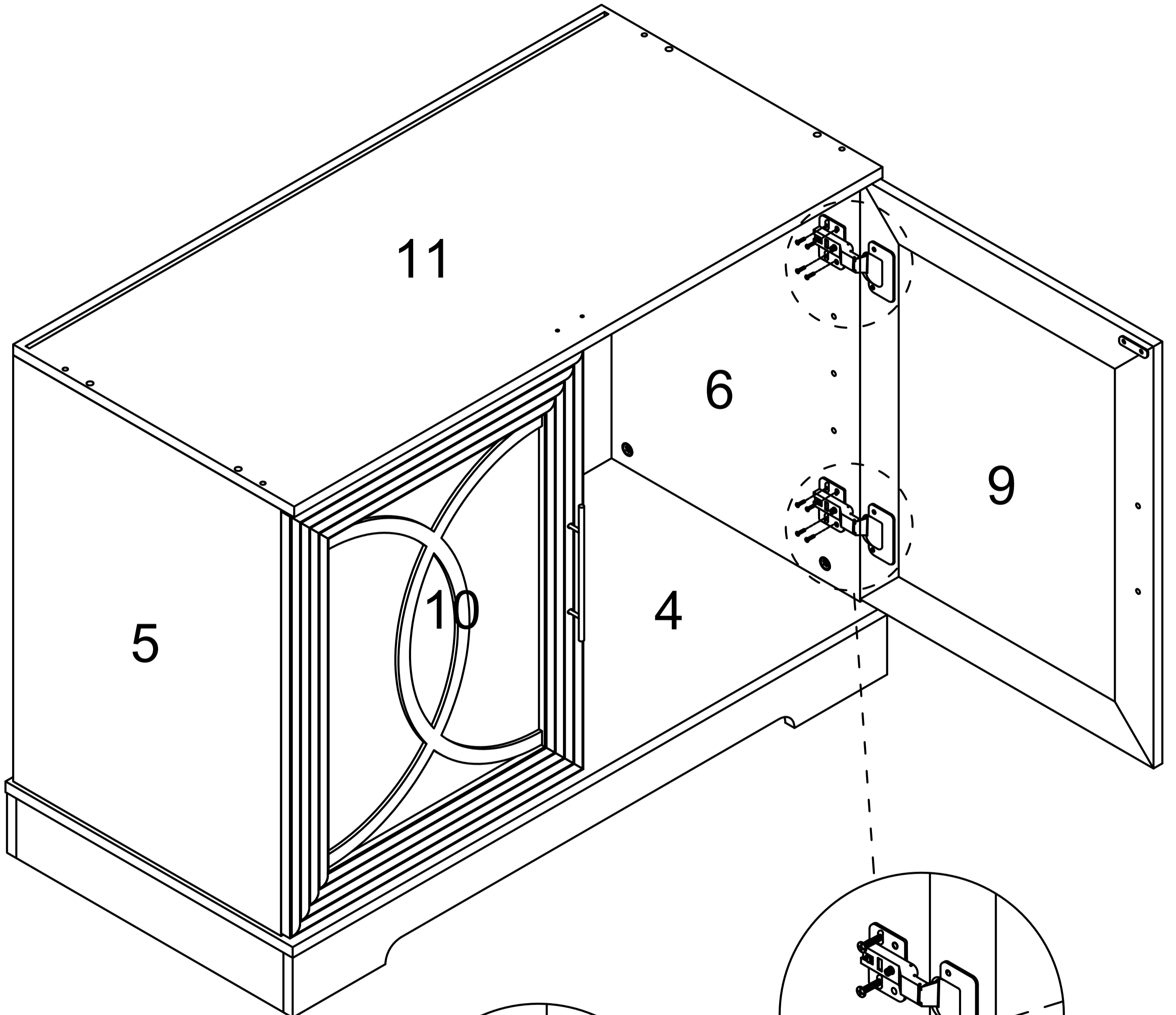
9

SY

16

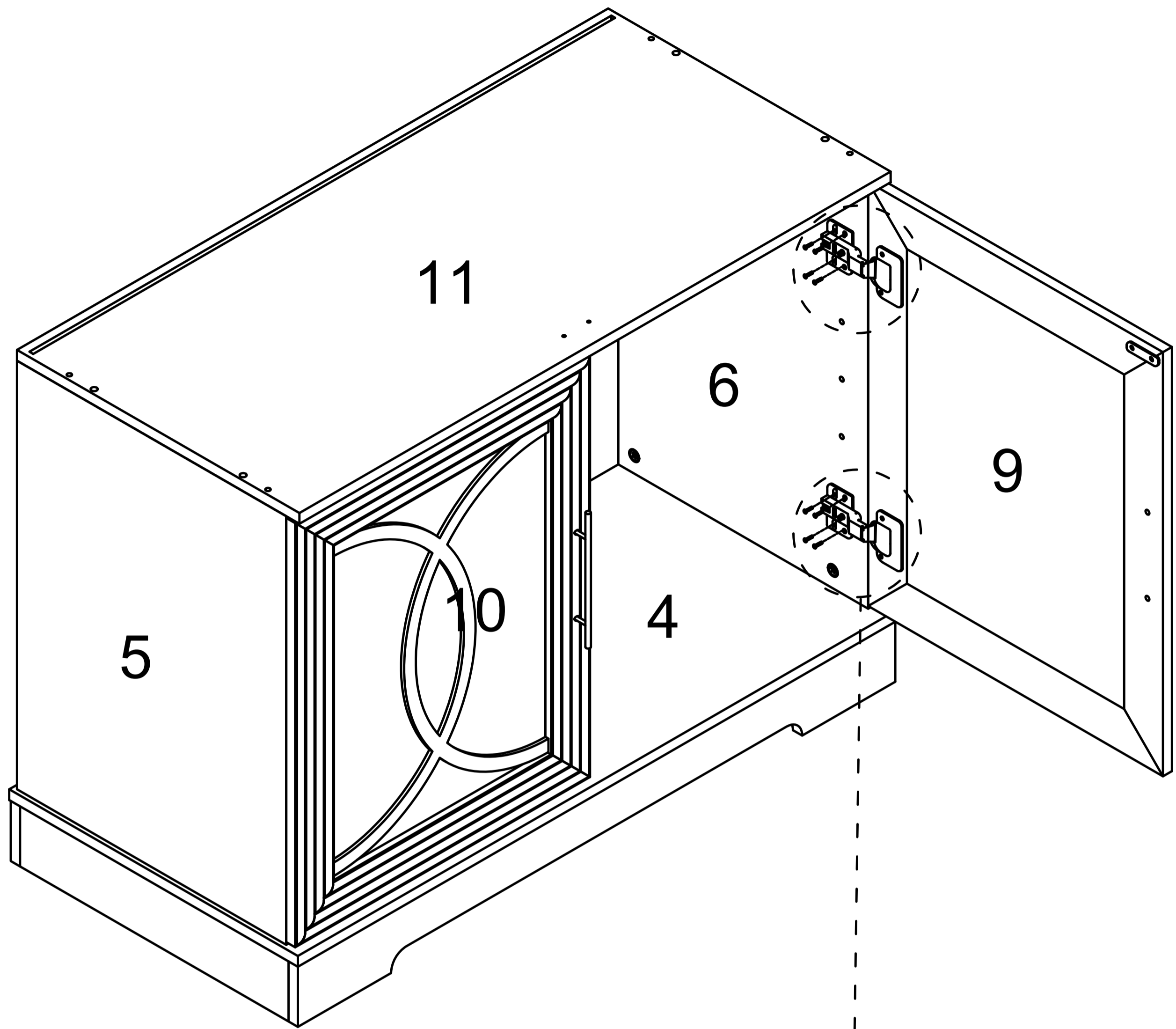
Step 20

Ⓜ  x8

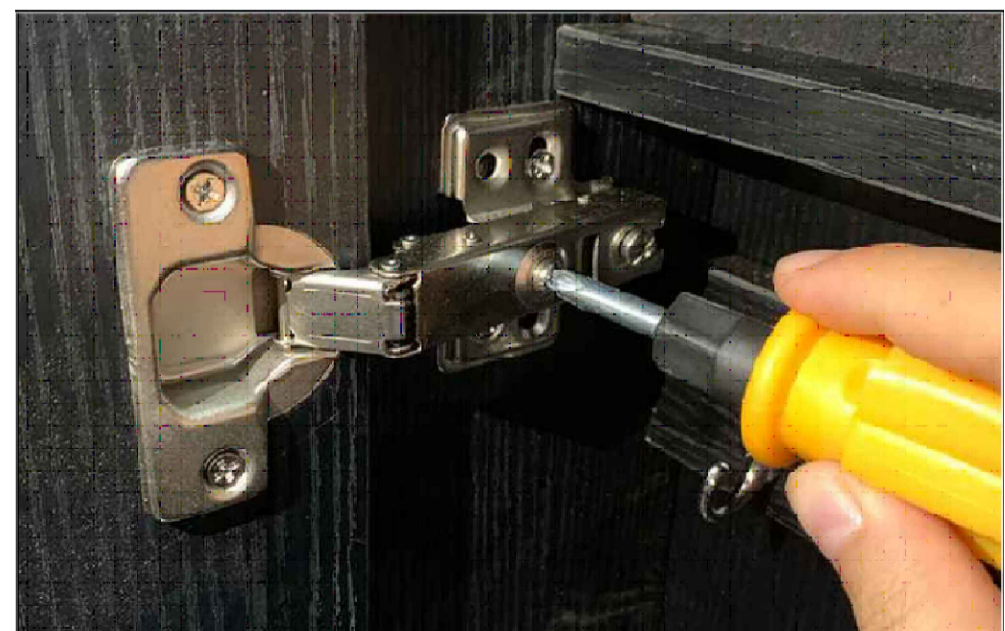
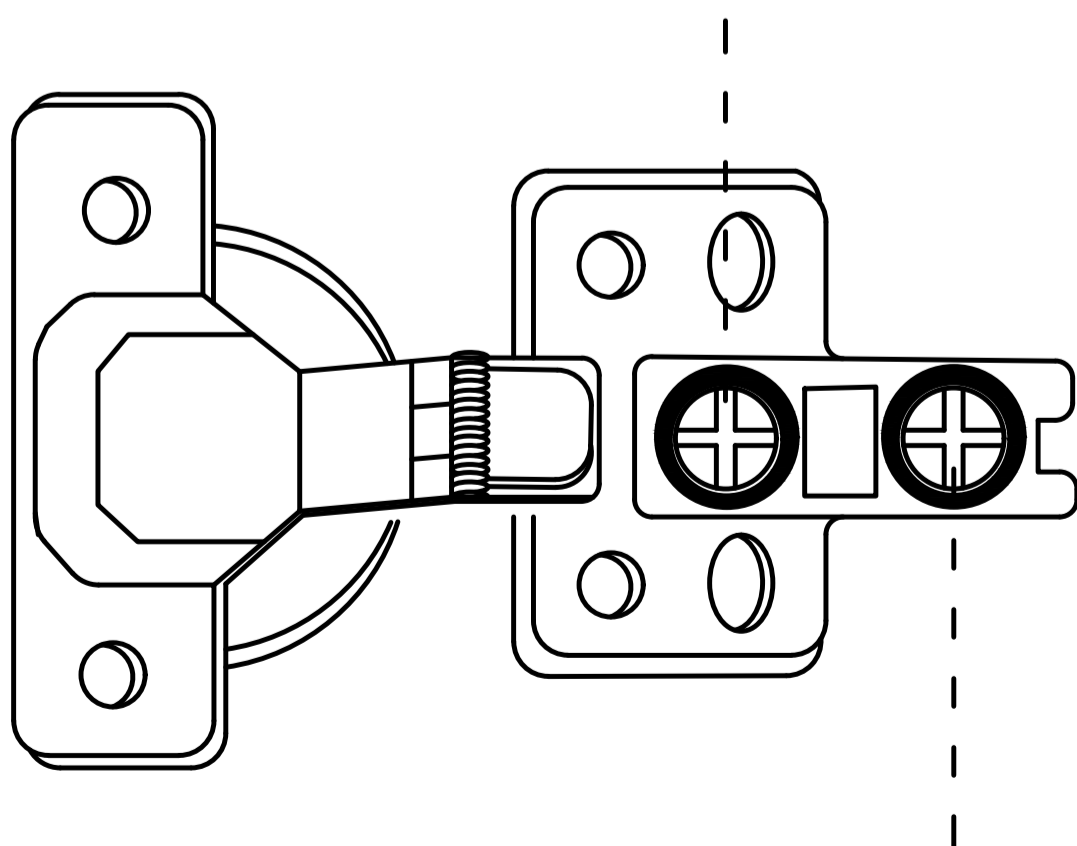


First lock the elliptical hole
then lock the fixed hole

Step 21



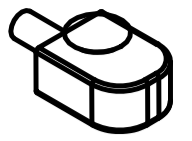
Turning this screw can effectively adjust the size of the door gap.



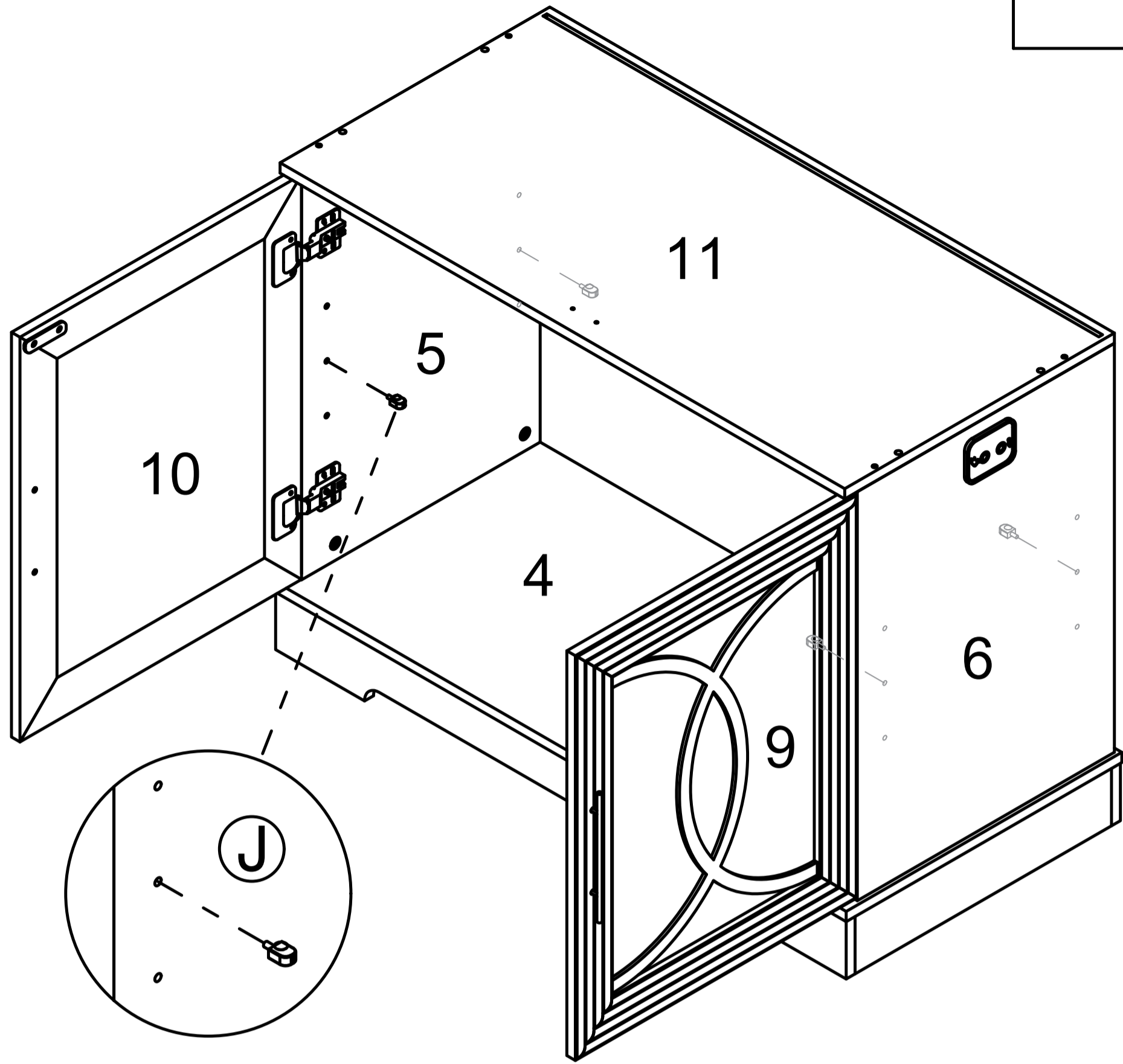
Turn this screw to adjust the door panel to be flat with the side panel.

Step 22

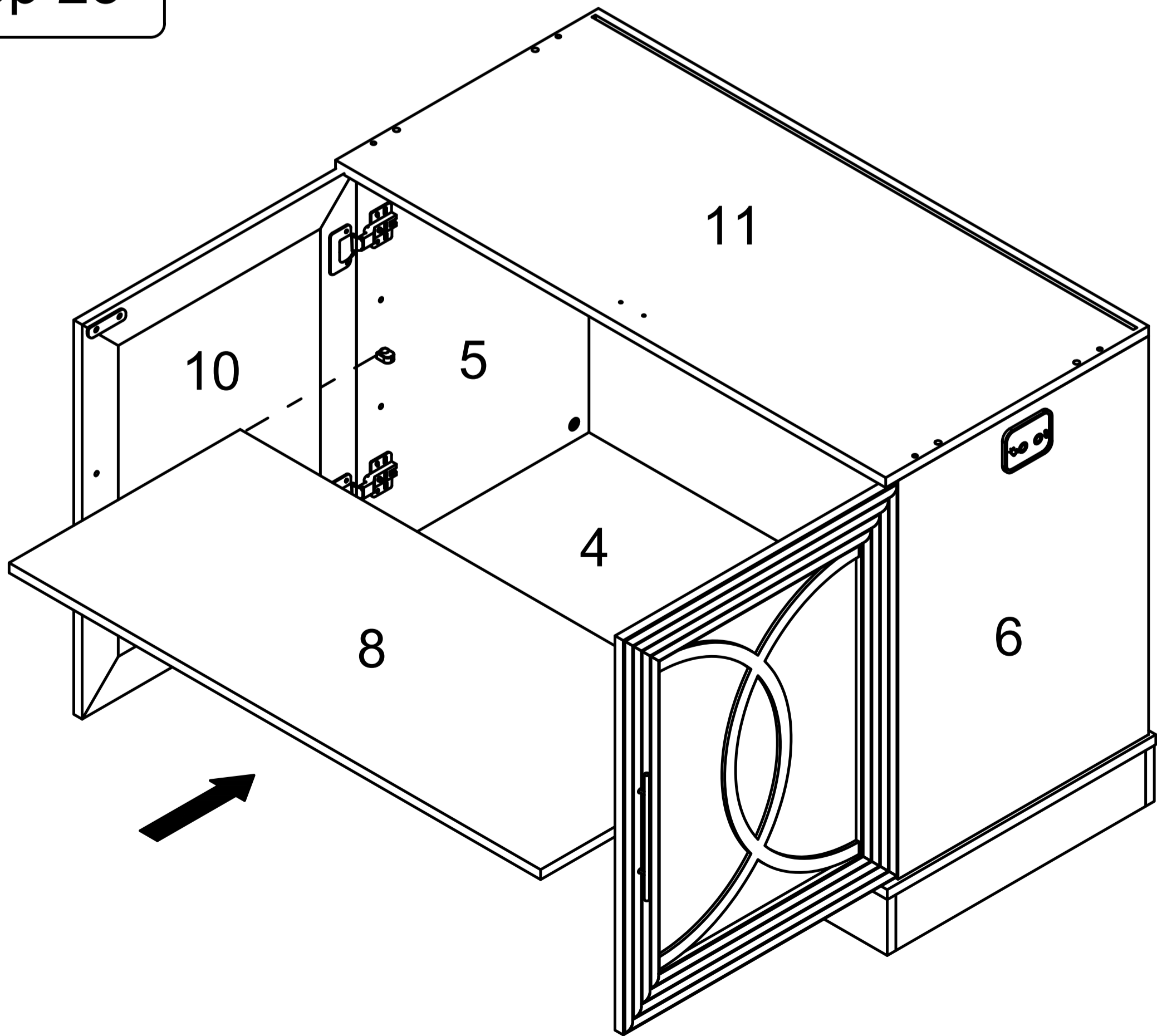
ⓐ



x4

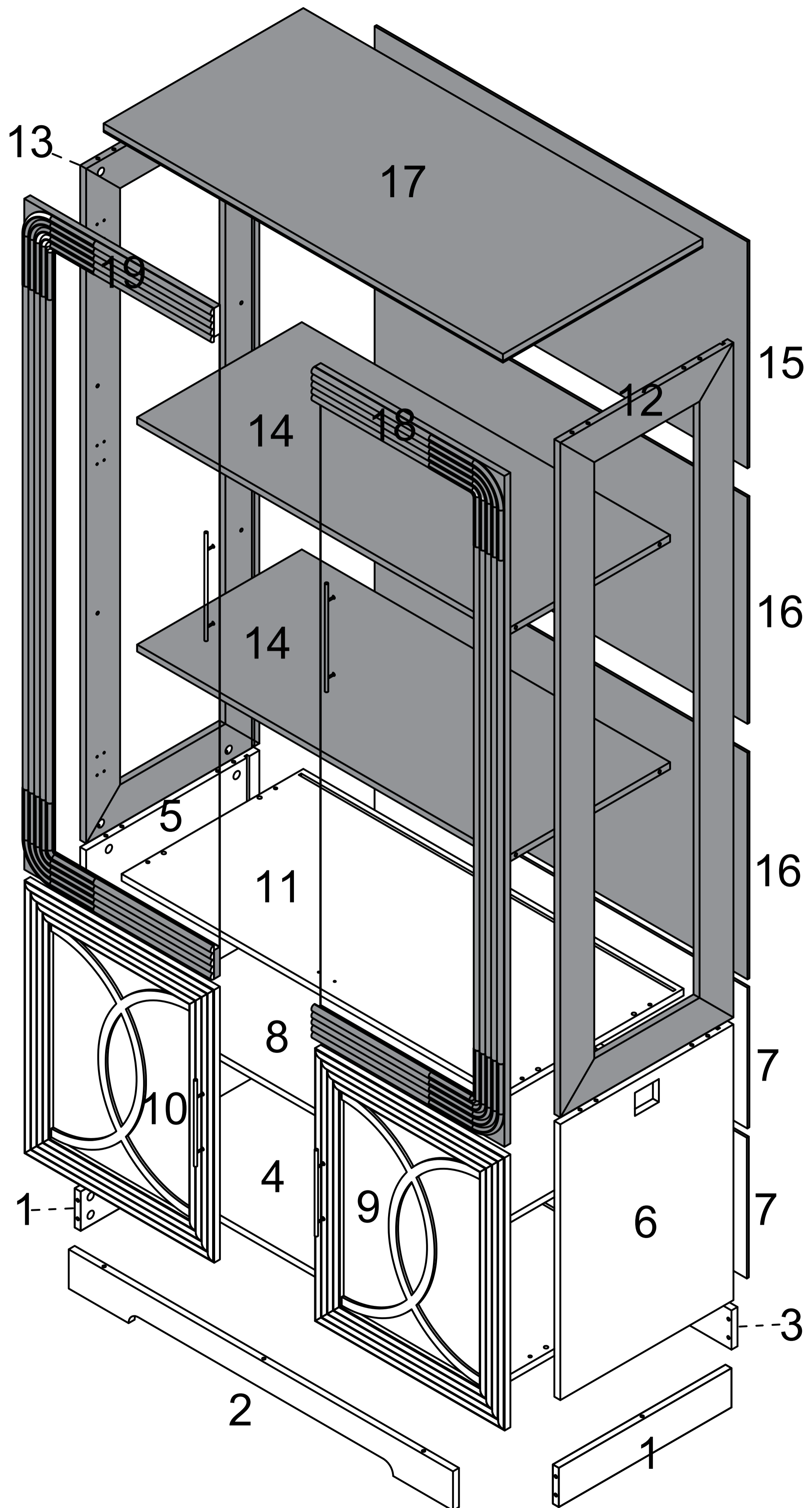


Step 23



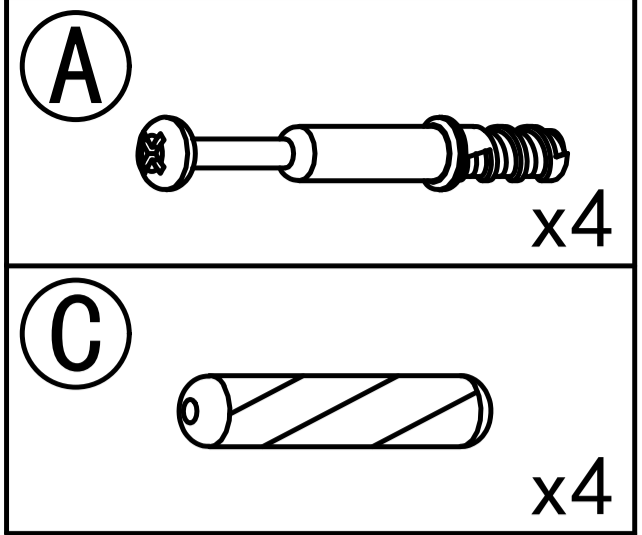
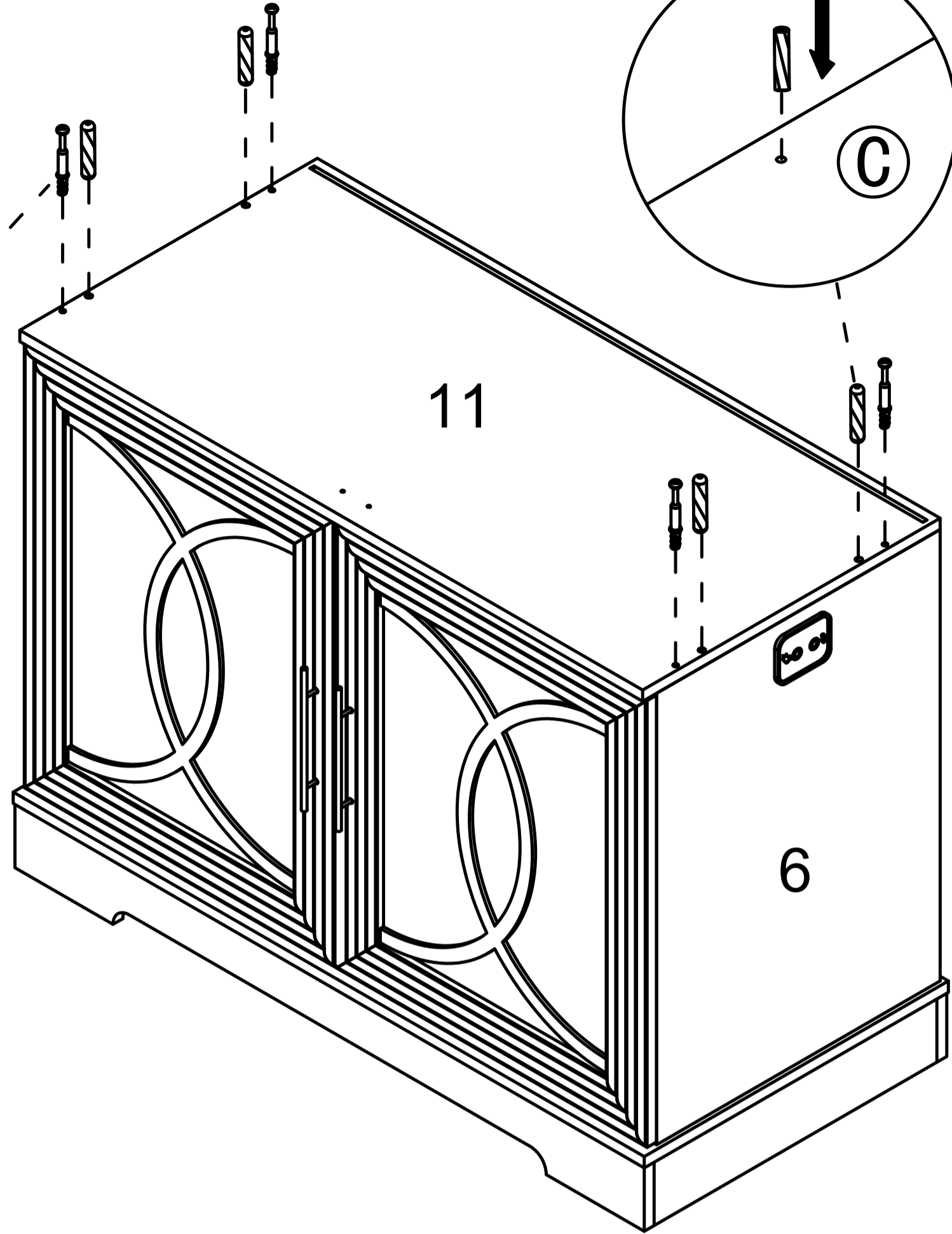
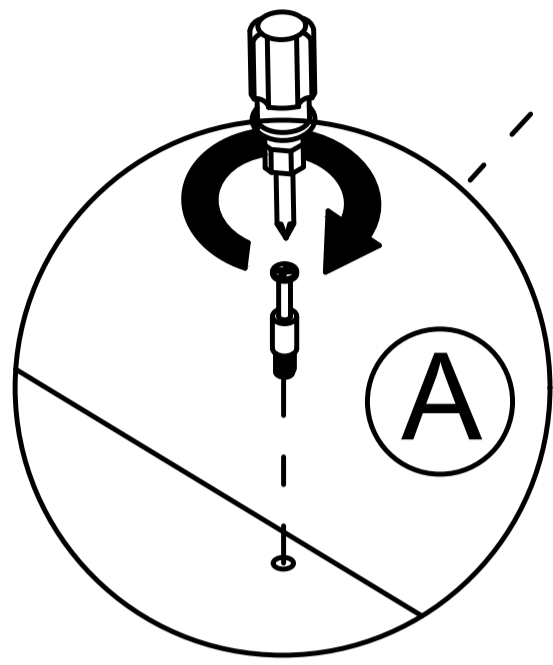
SY

97095 Product Installation Instructions

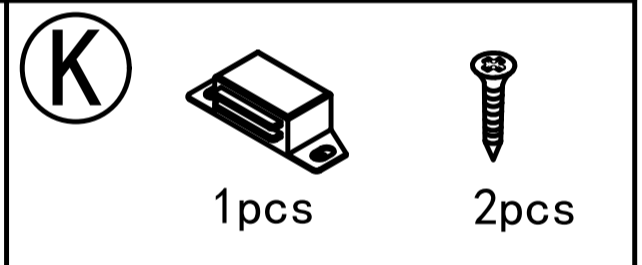
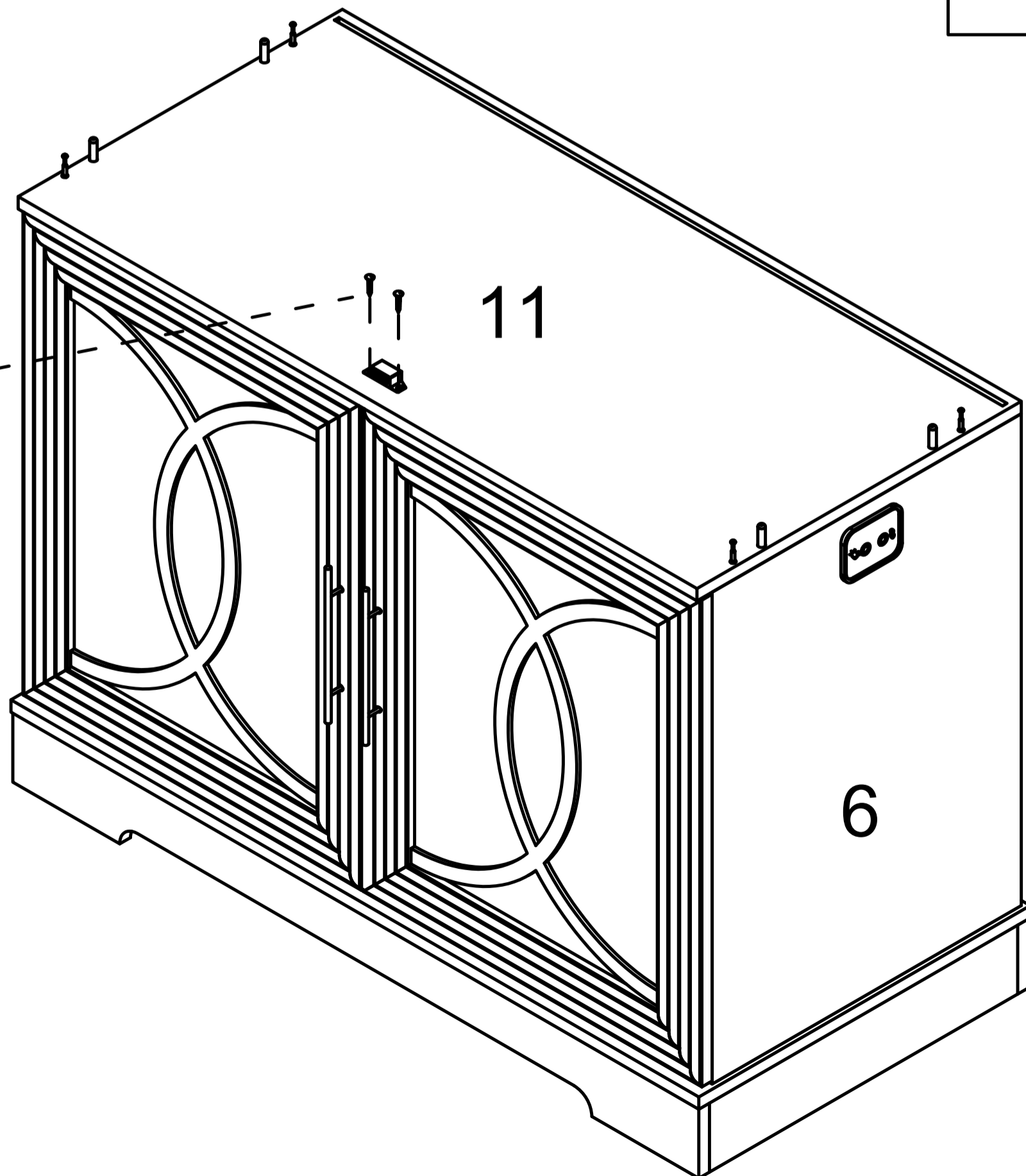
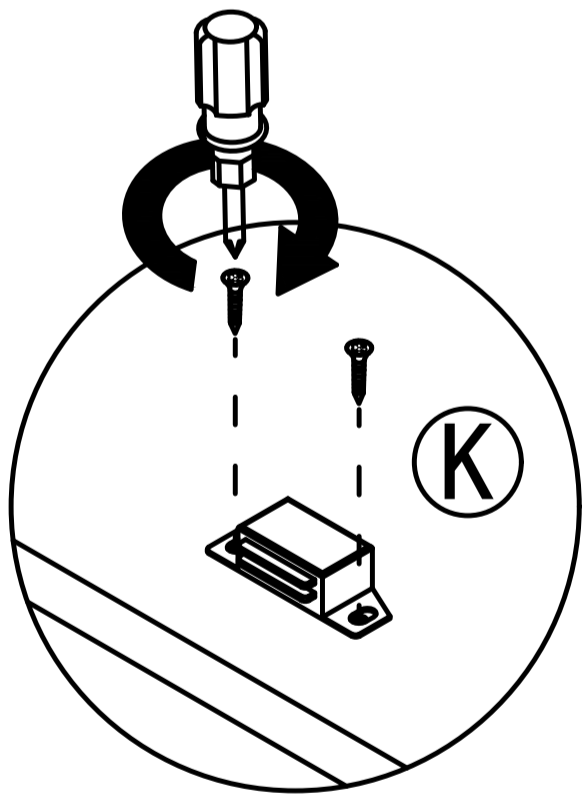


SY

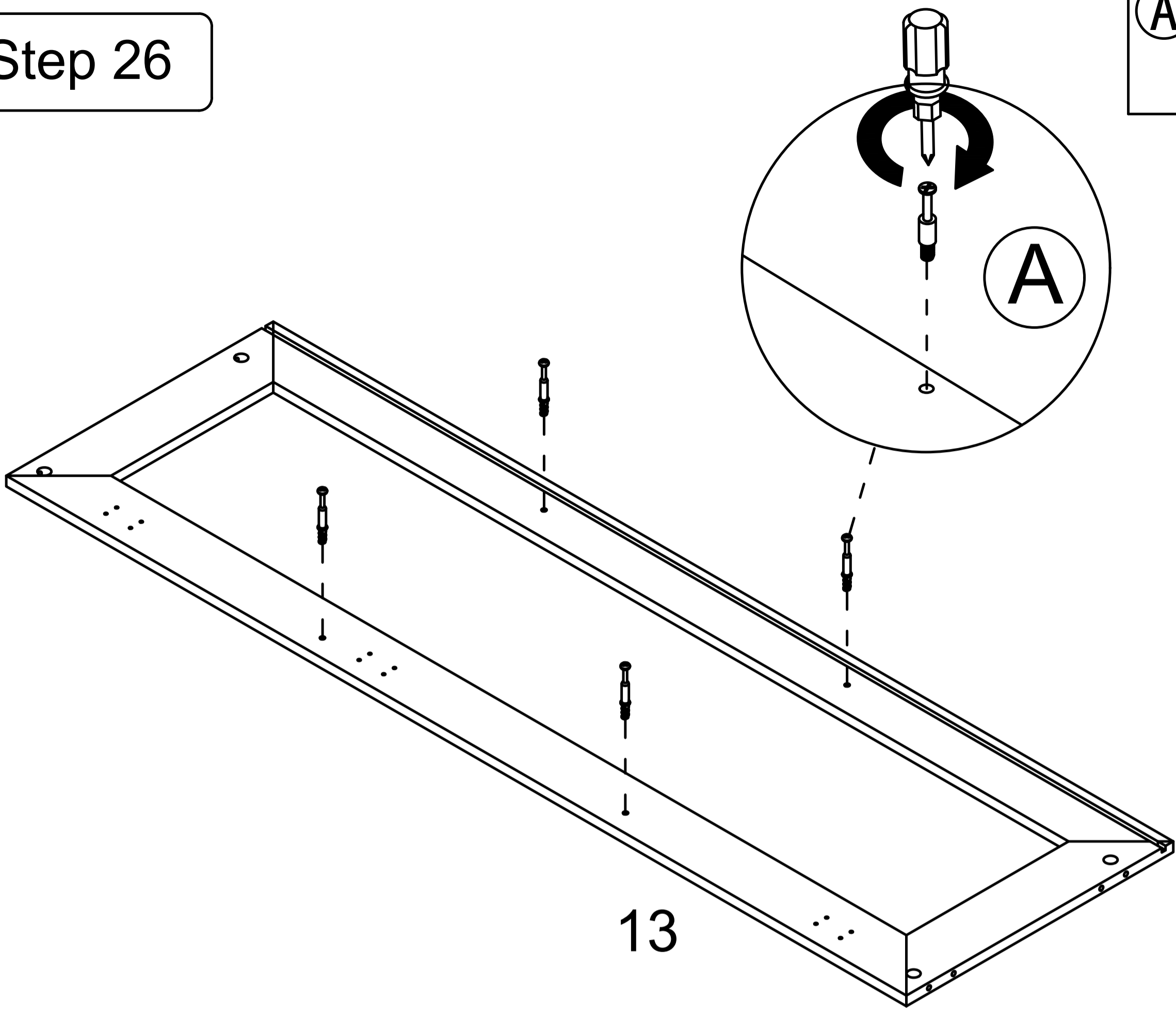
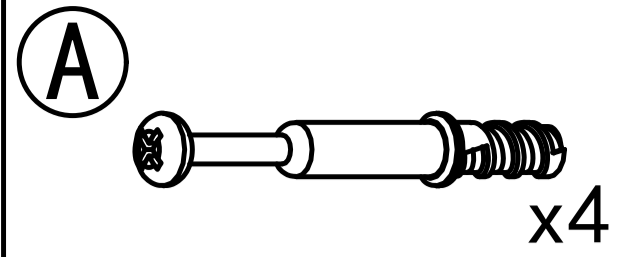
Step 24



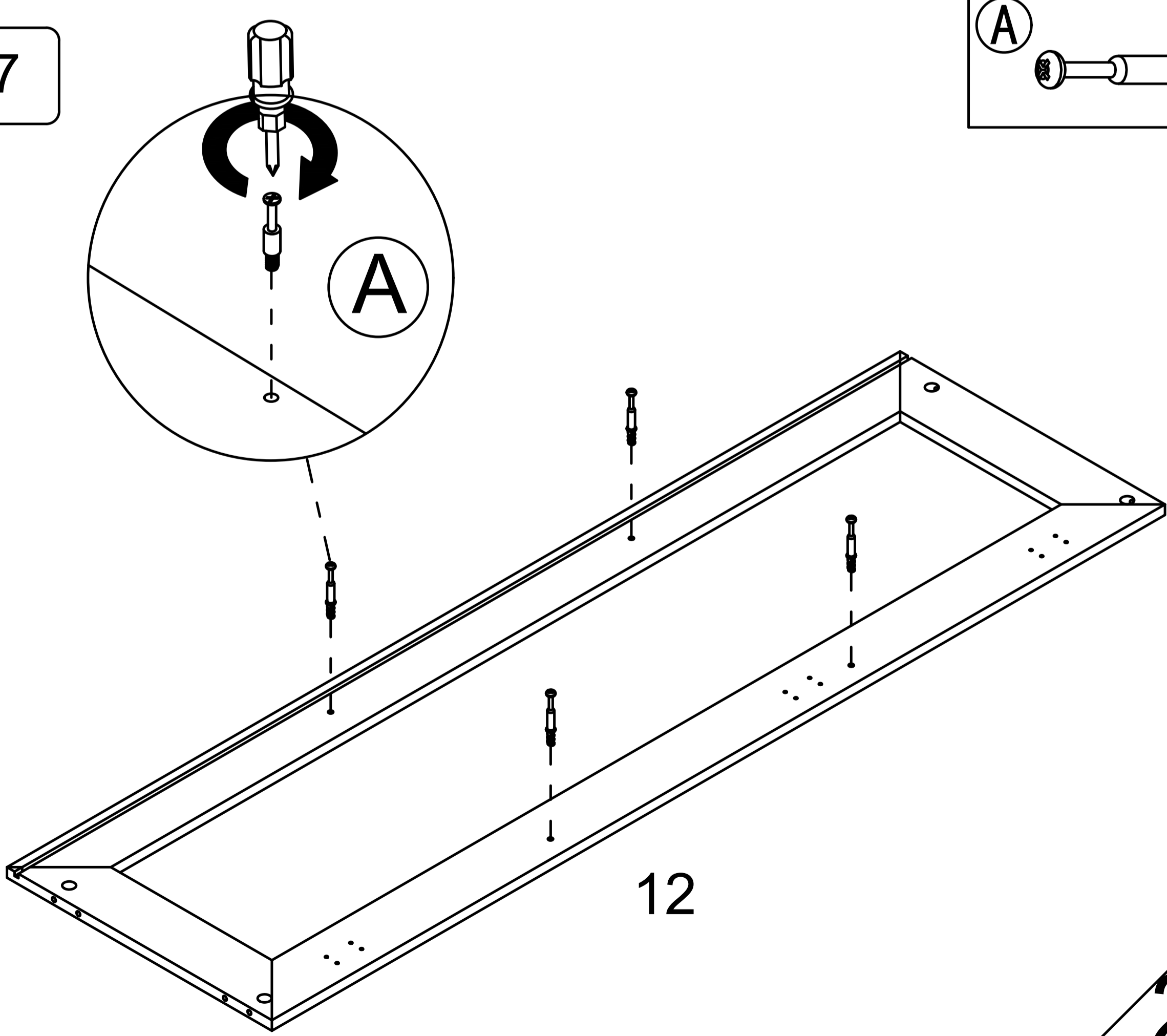
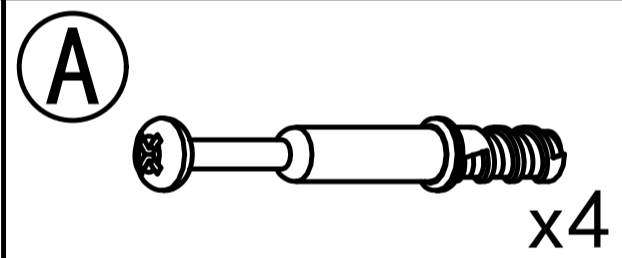
Step 25



Step 26



Step 27

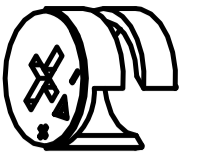


22

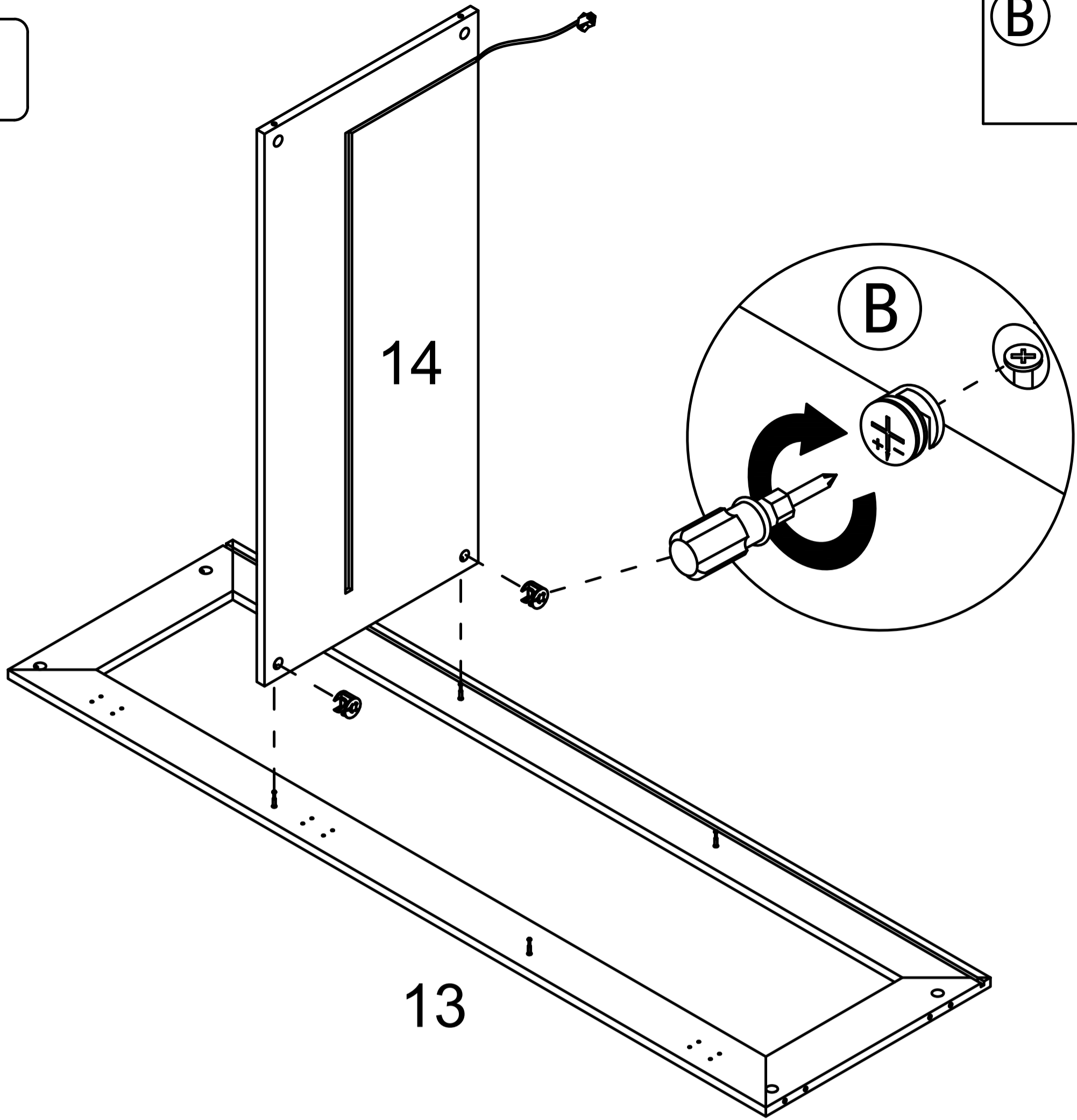
SY

Step 28

(B)



x2

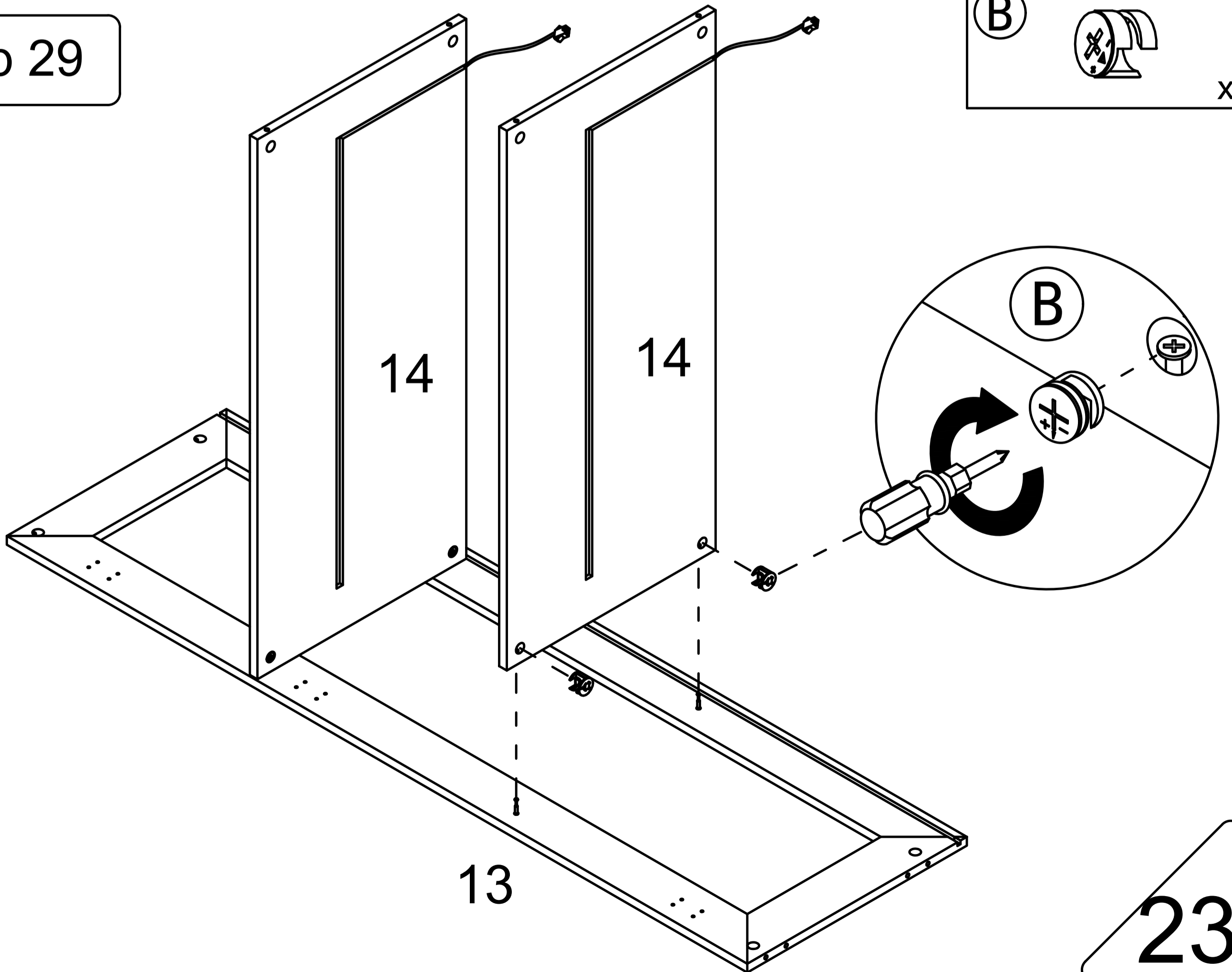


Step 29

(B)



x2

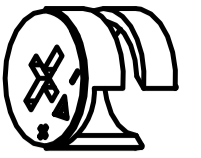


23

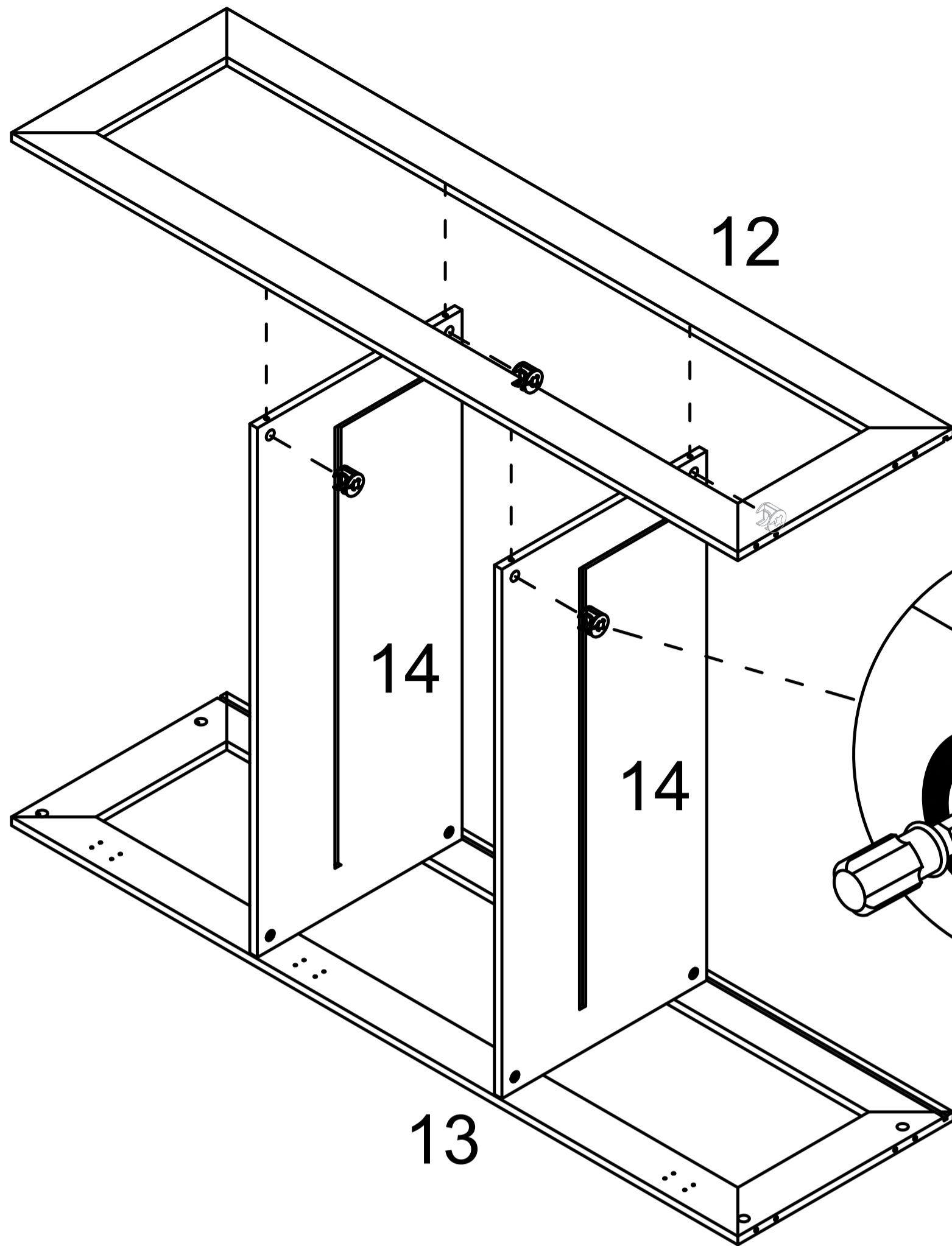
SY

Step 30

(B)



x4

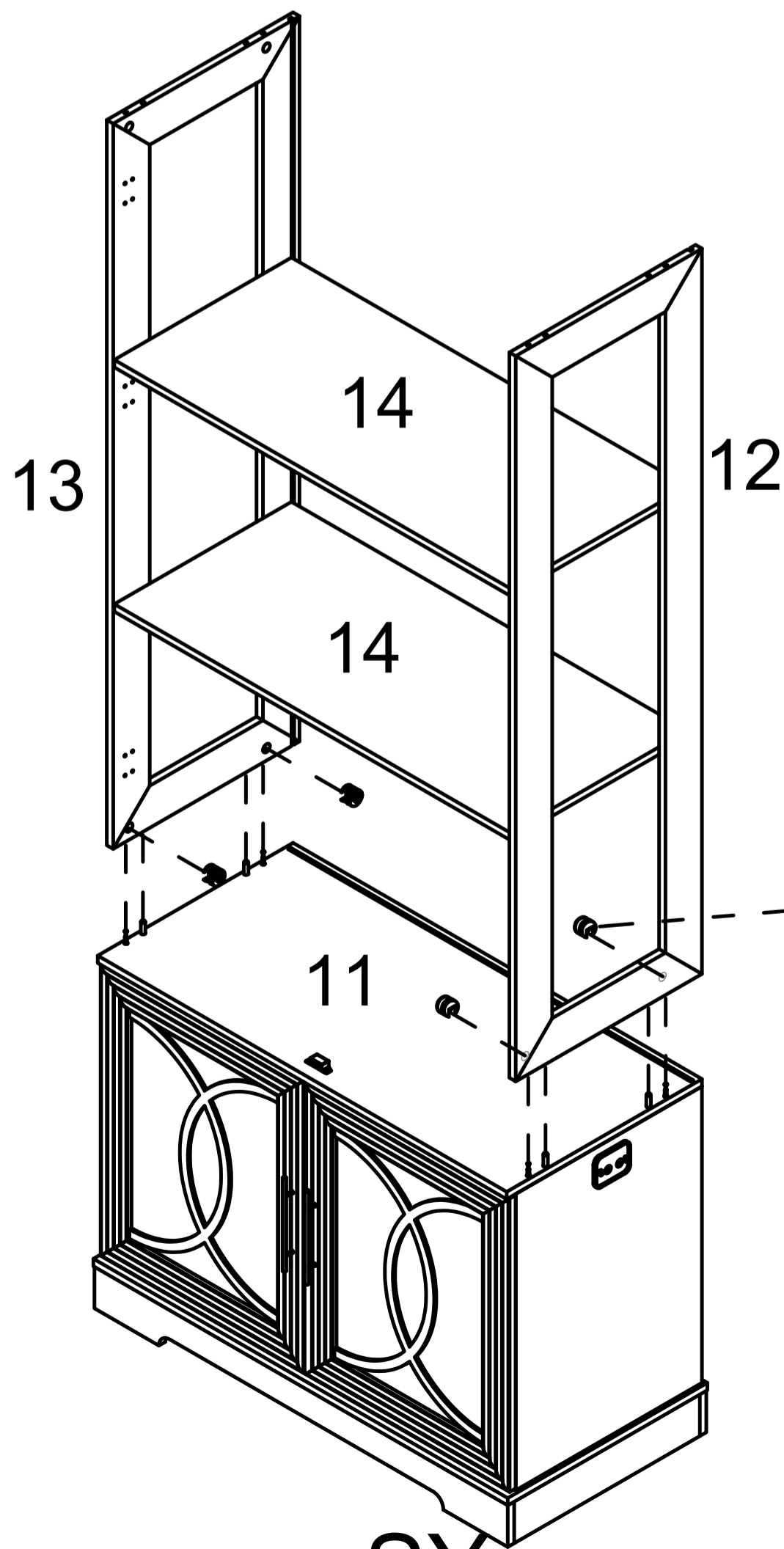


Step 31

(B)

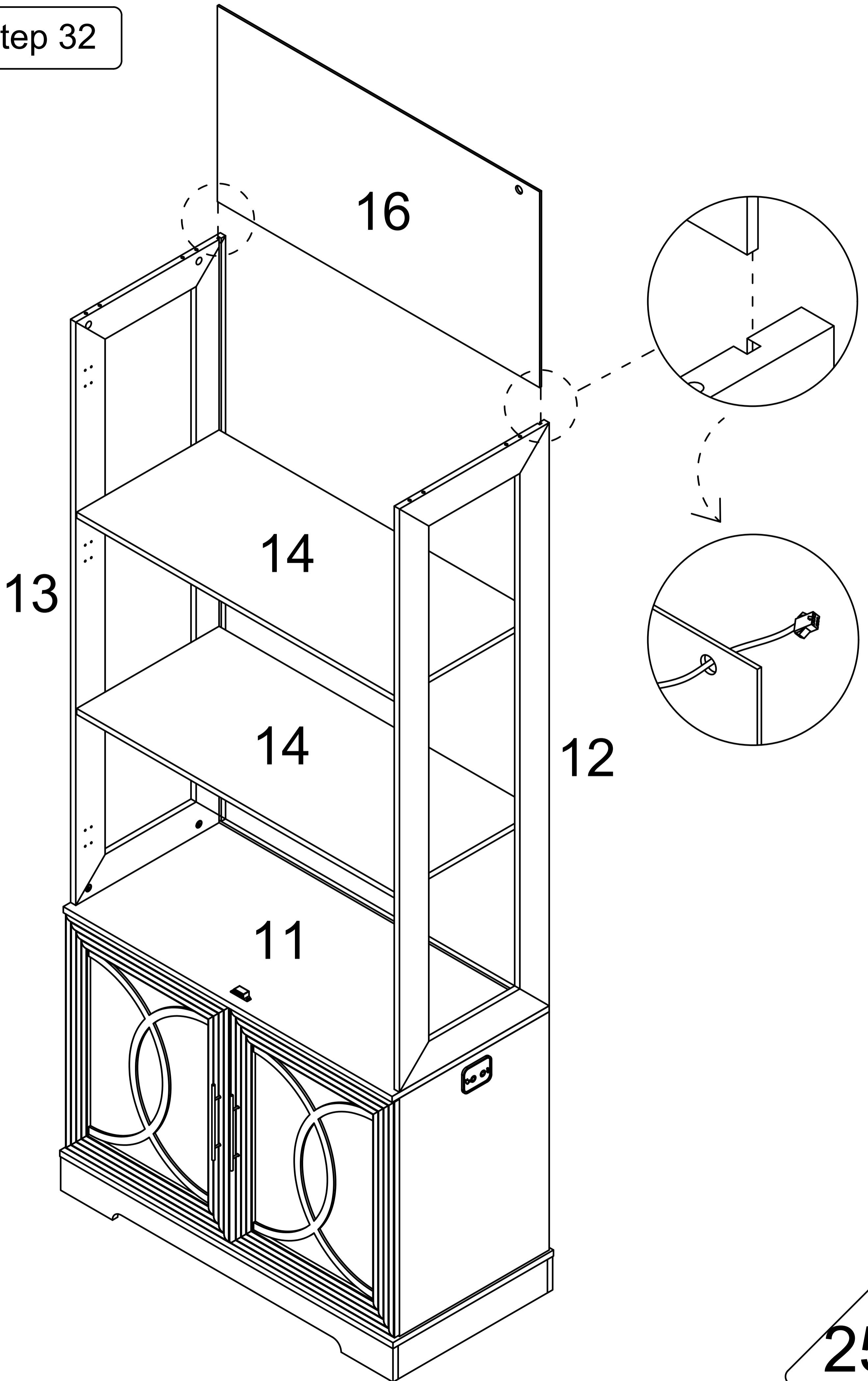


x4

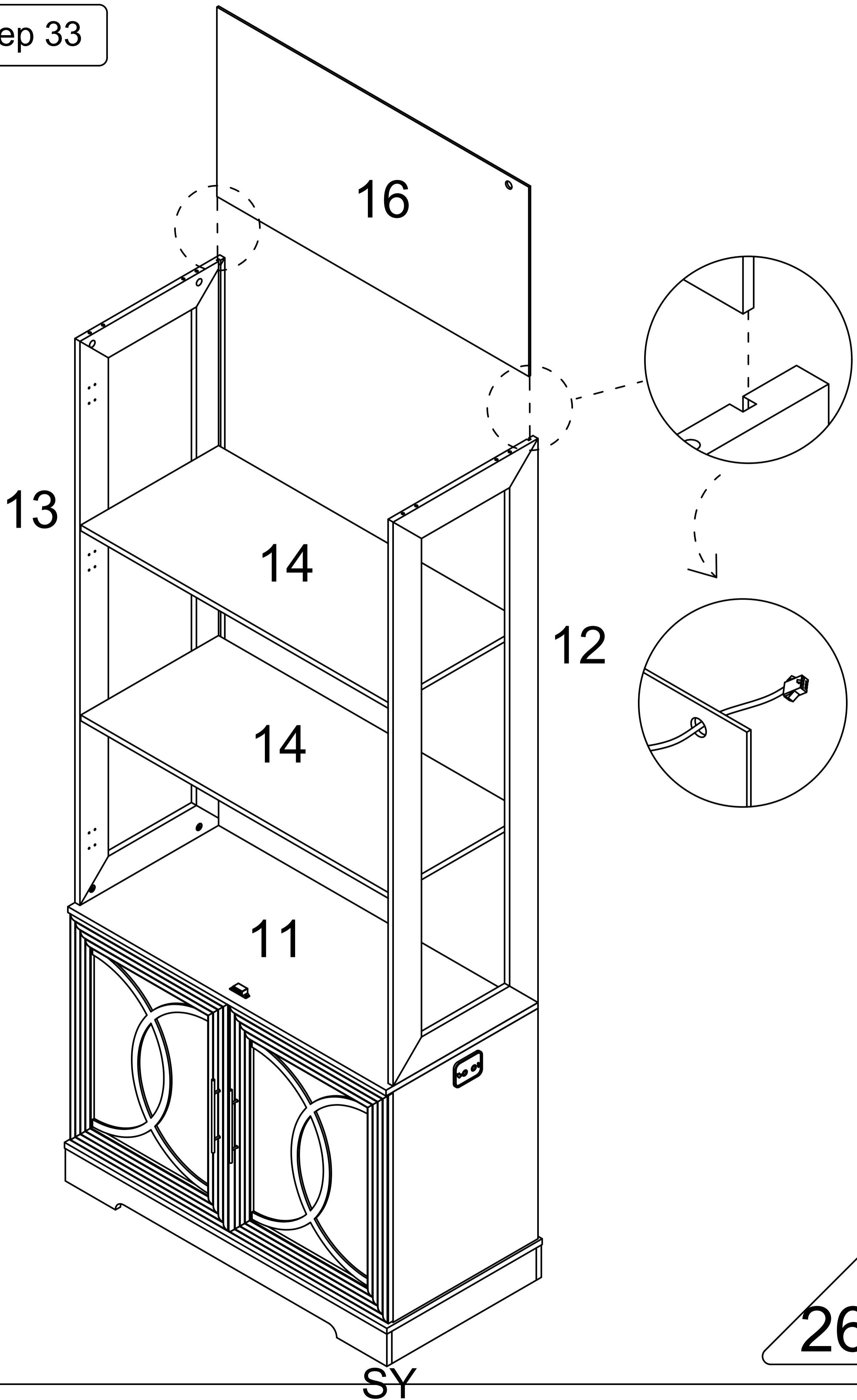


SY

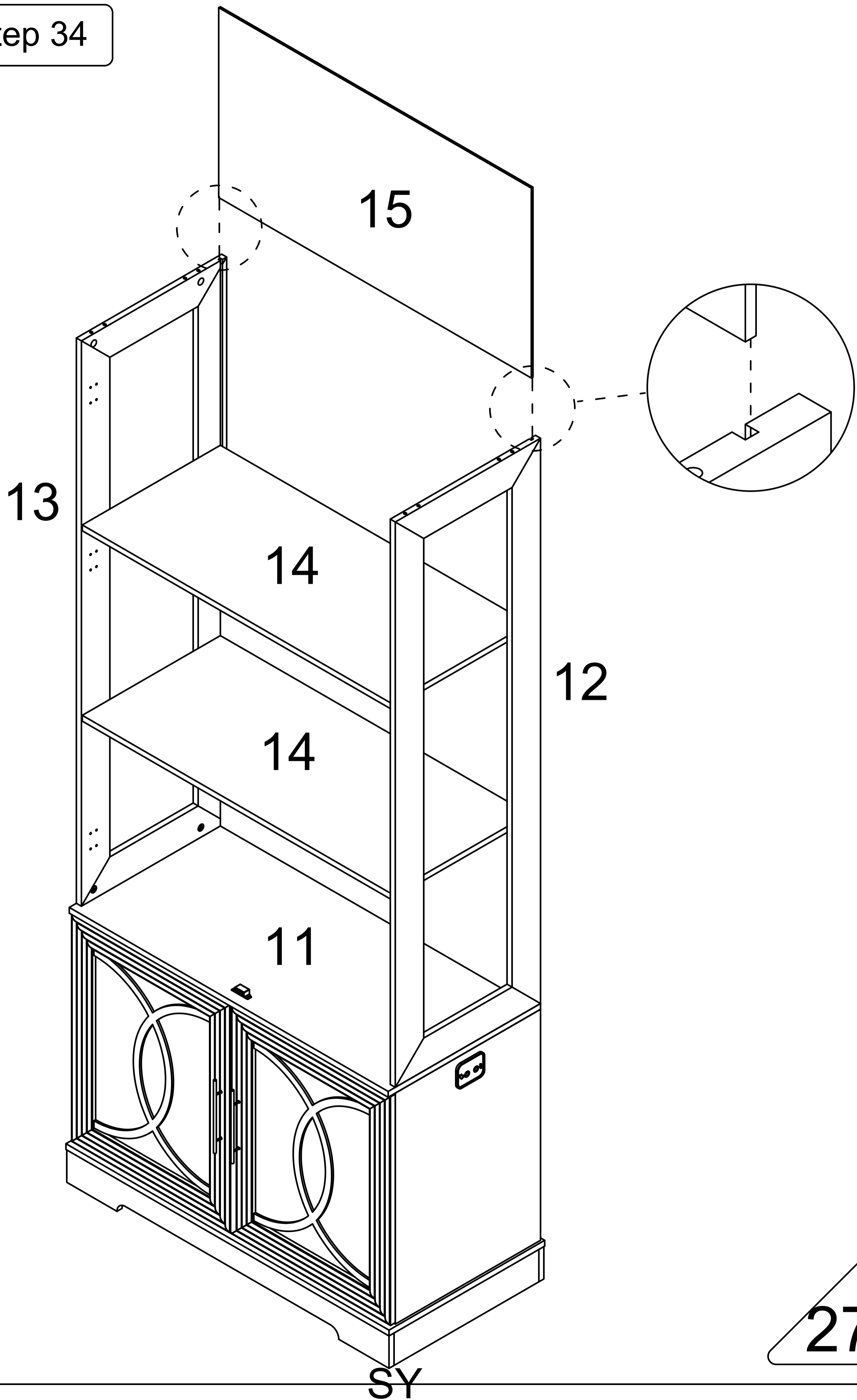
Step 32



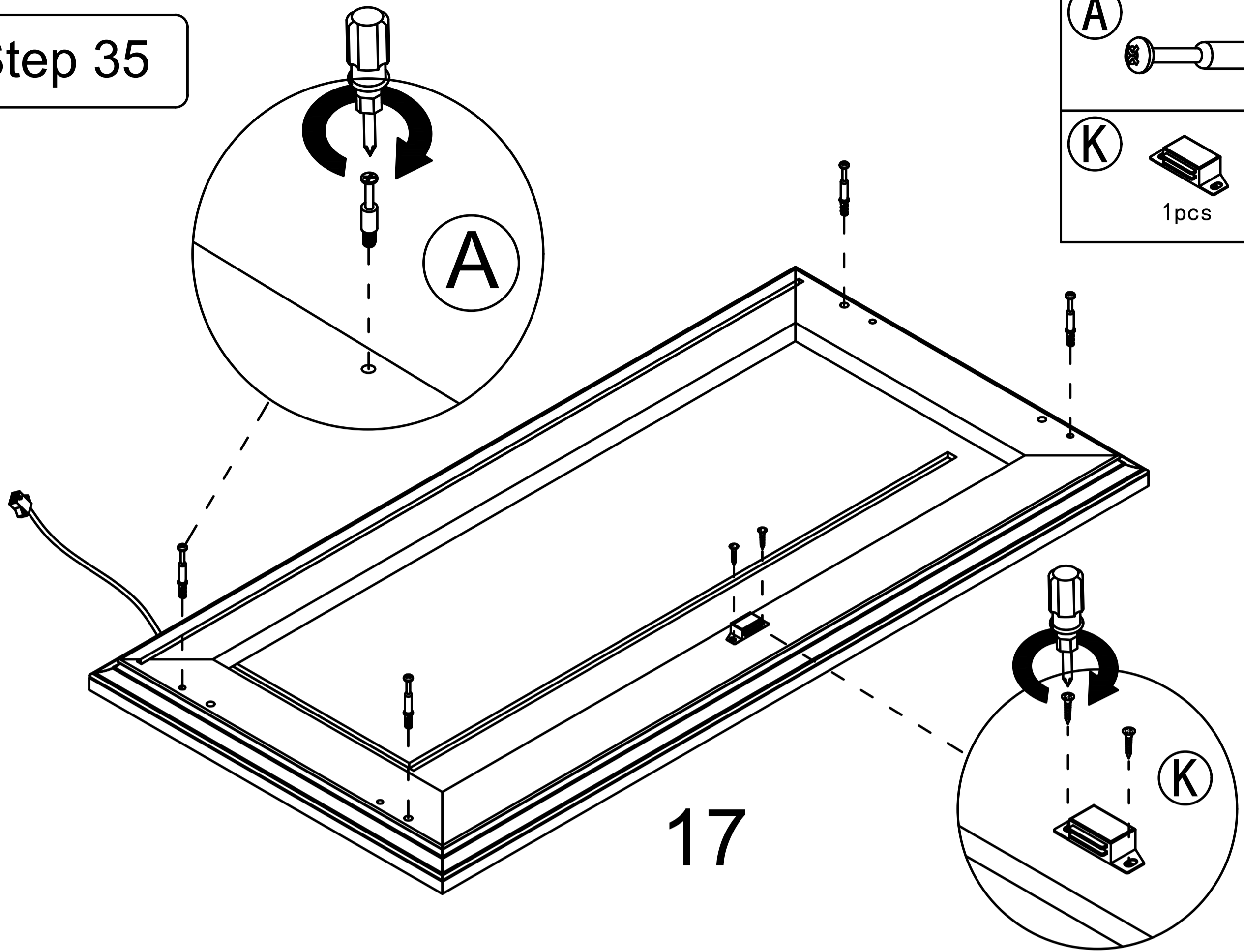
Step 33



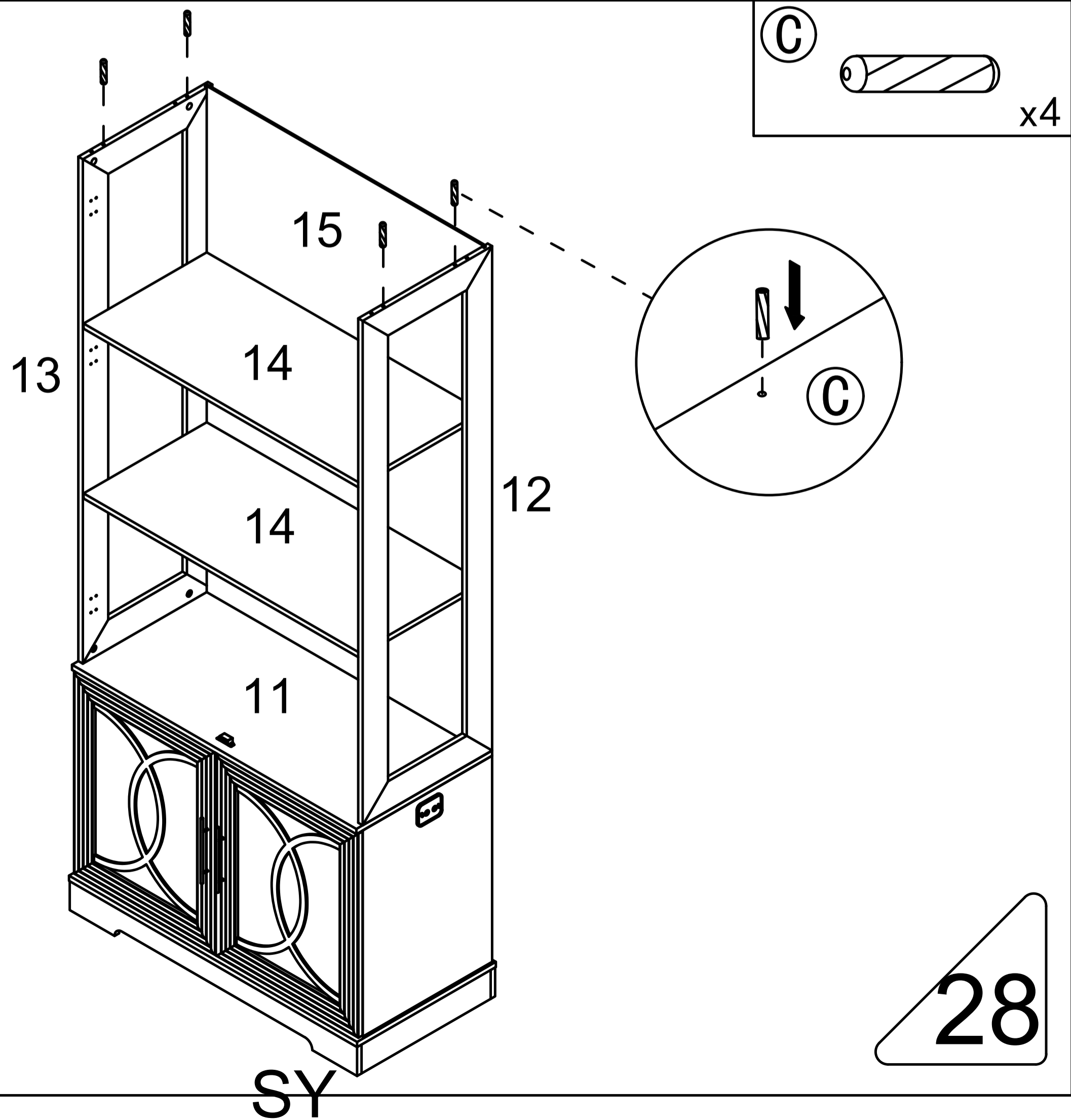
Step 34




Step 35

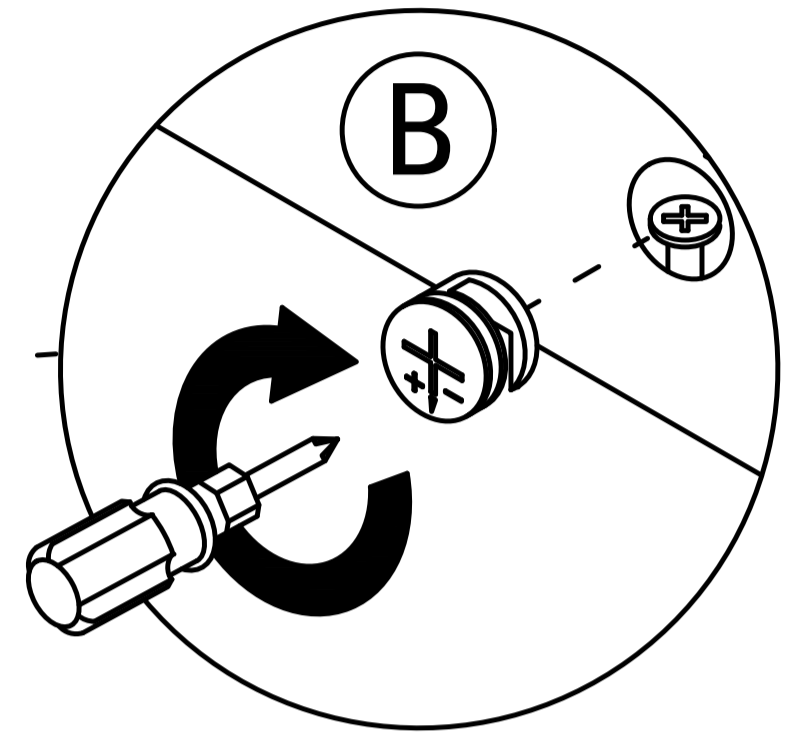
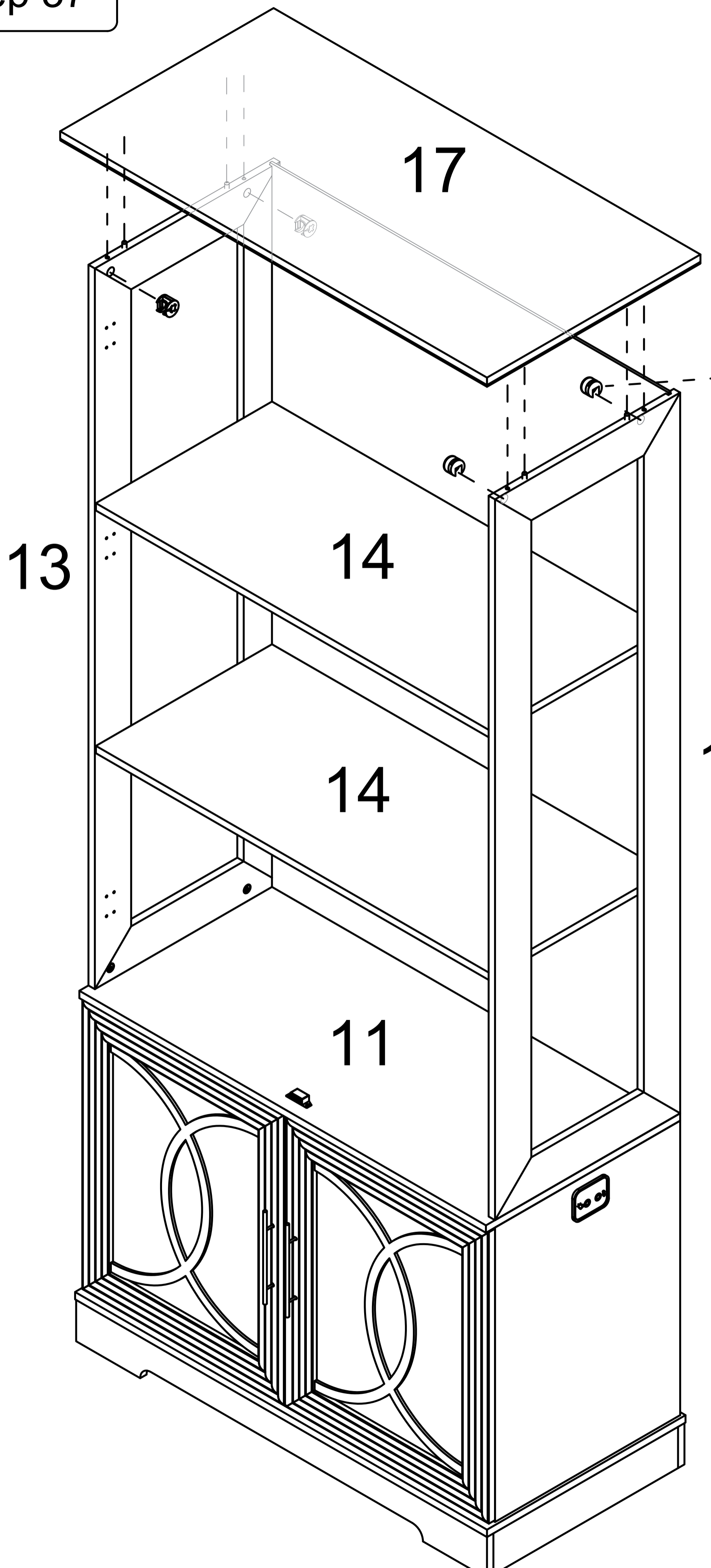


Step 36



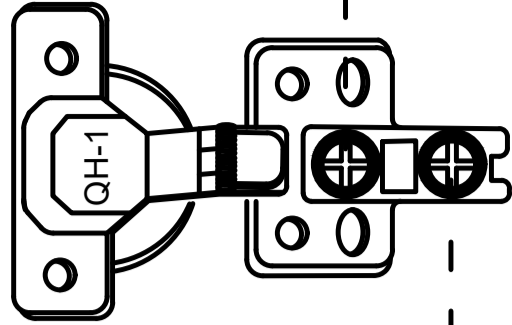
Step 37

(B)  x4



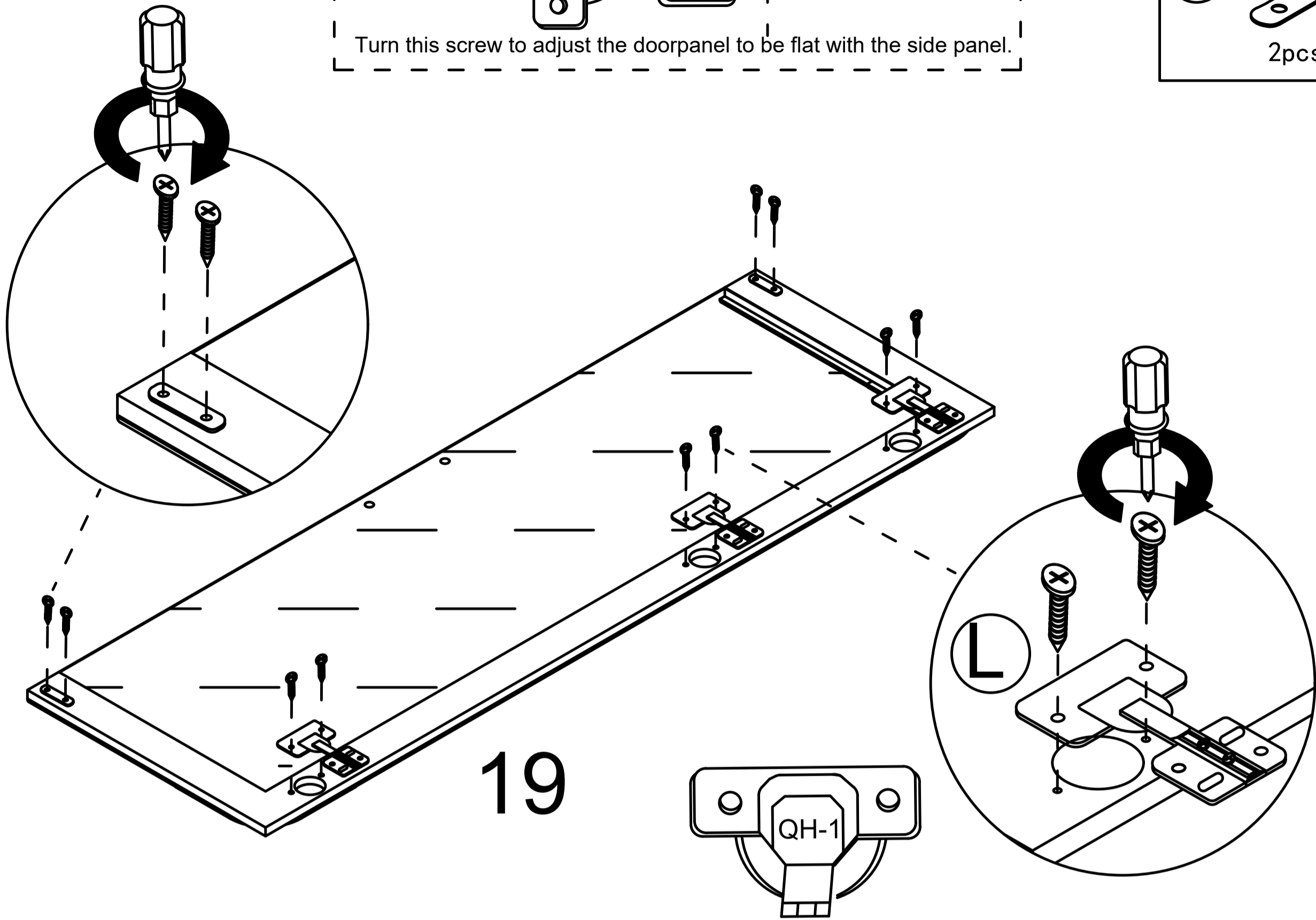
Step 38

Turning this screw can effectively adjust the size of the door gap.



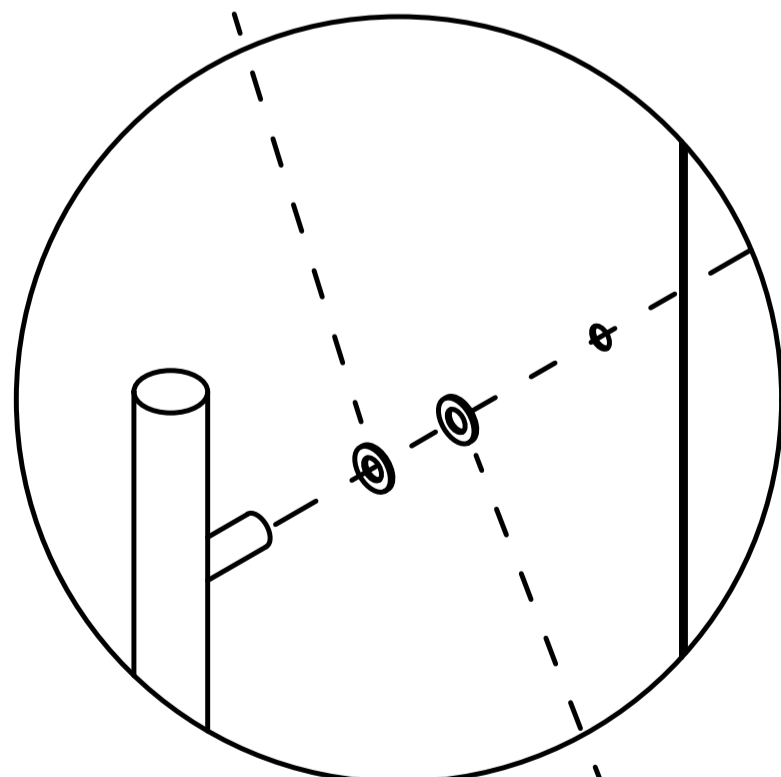
Turn this screw to adjust the doorpanel to be flat with the side panel.

- | | | | | | |
|-----|--|--|------|------|----|
| (L) | | | 1pcs | 2pcs | x3 |
| (H) | | | 2pcs | 4pcs | |



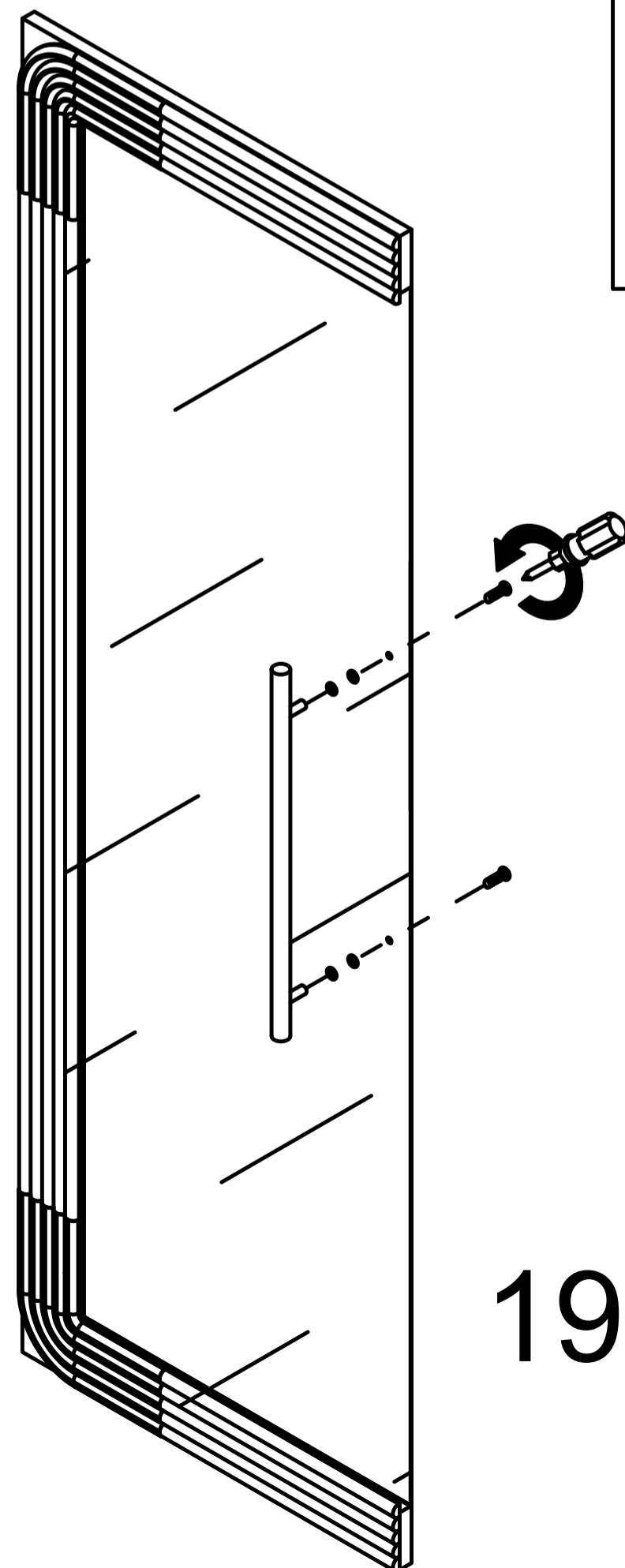
Step 39

Iron gaskets



Glue gaskets

- | | | | | |
|-----|--|--|------|------|
| (E) | | | 1pcs | 2pcs |
| | | | 2pcs | 2pcs |

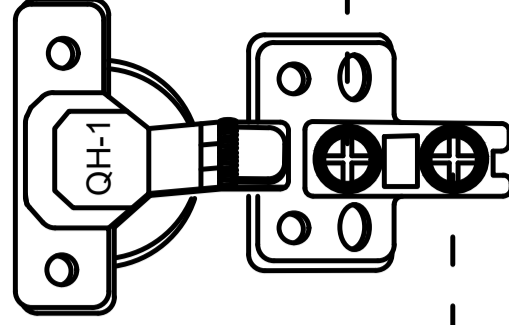


19

30

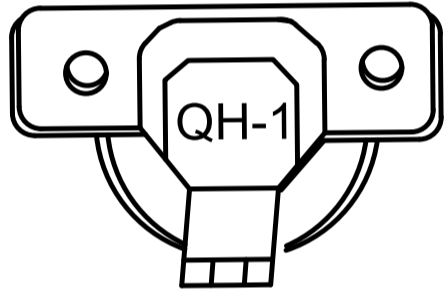
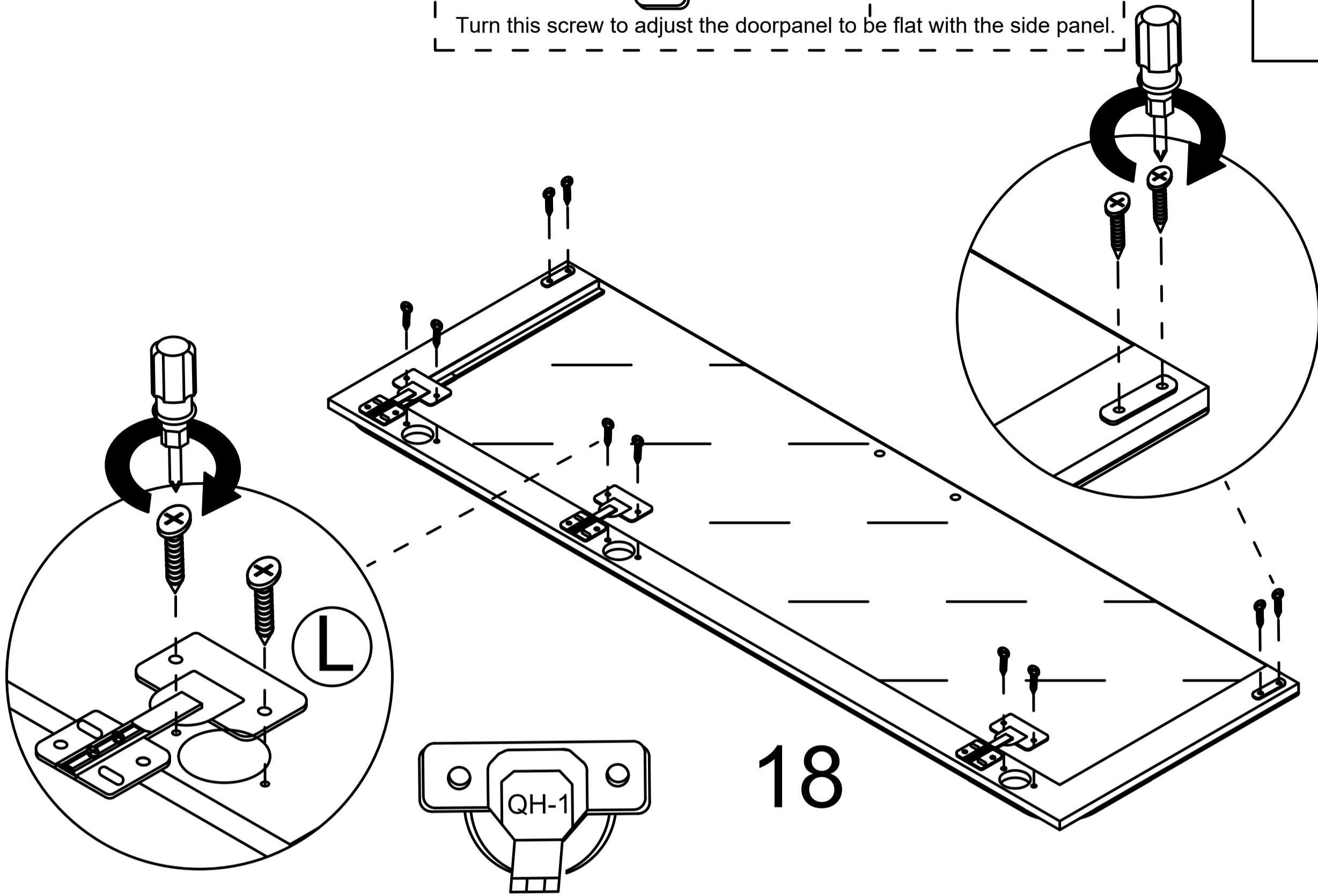
Step 40

Turning this screw can effectively adjust the size of the door gap.



Turn this screw to adjust the doorpanel to be flat with the side panel.

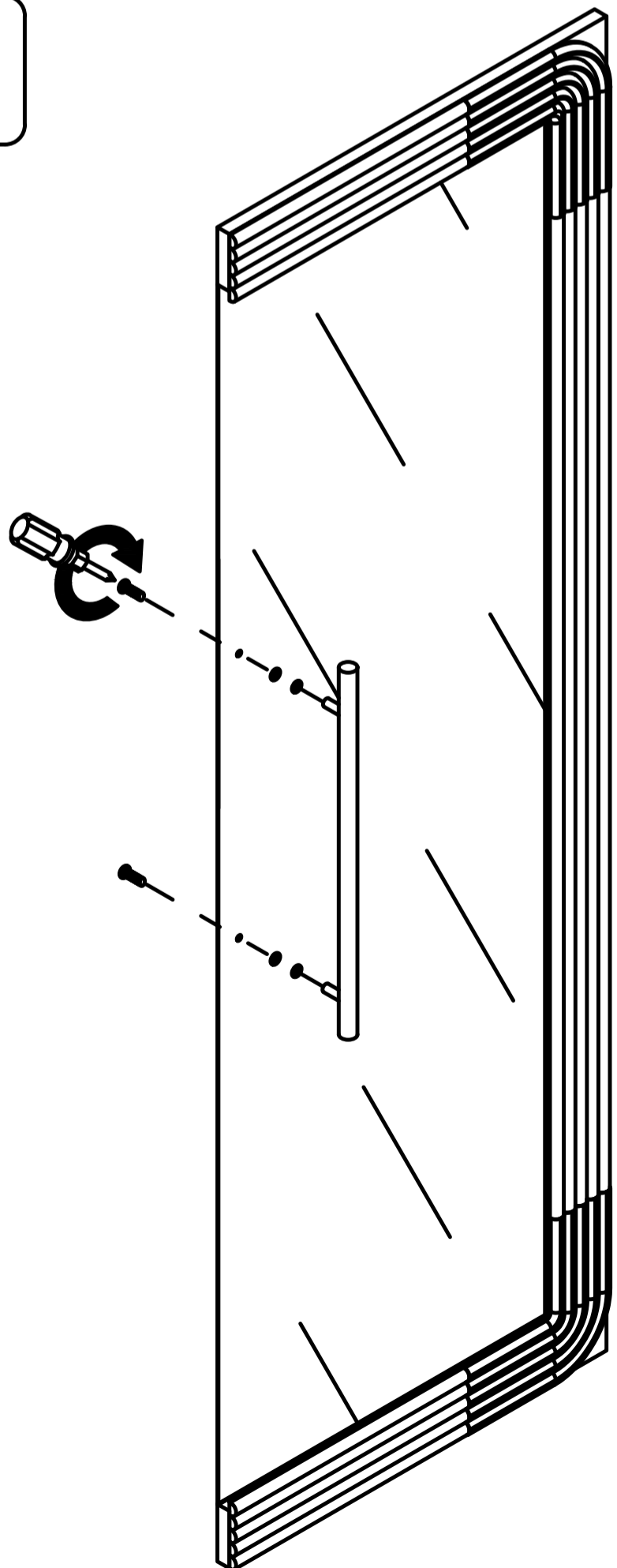
- | | | | | | |
|-----|--|--|------|------|----|
| (L) | | | 1pcs | 2pcs | x3 |
| (H) | | | 2pcs | 4pcs | |



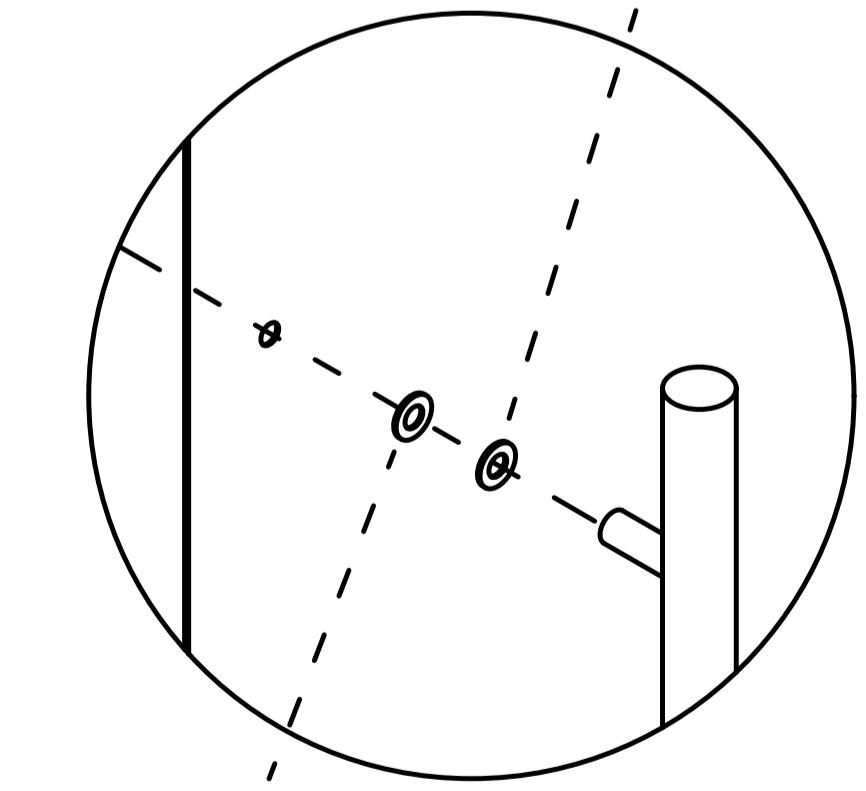
18

Step 41

- | | | | | |
|-----|--|--|------|------|
| (E) | | | 1pcs | 2pcs |
| | | | 2pcs | 2pcs |



Iron gaskets



Glue gaskets

18

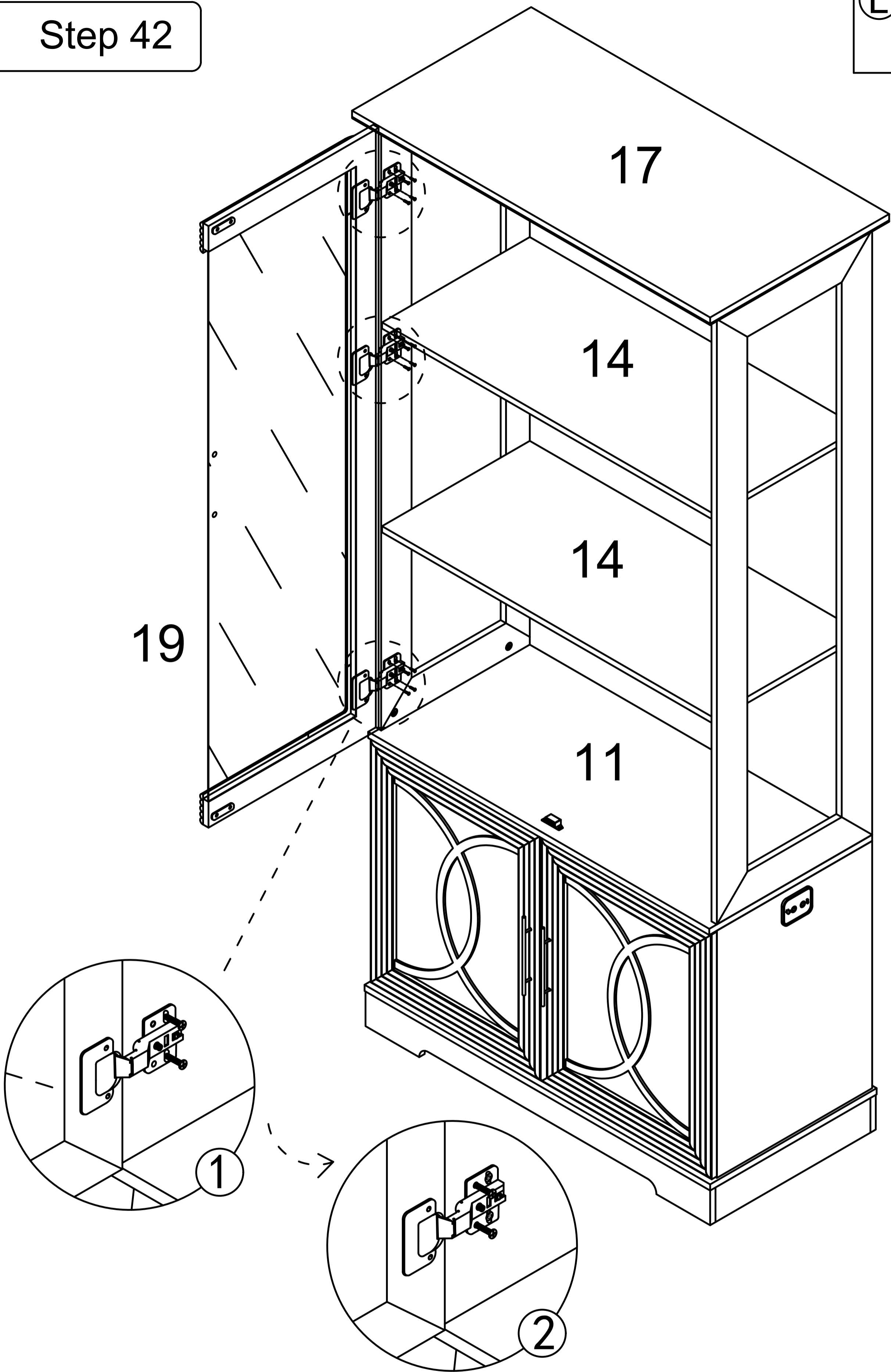
31

Step 42

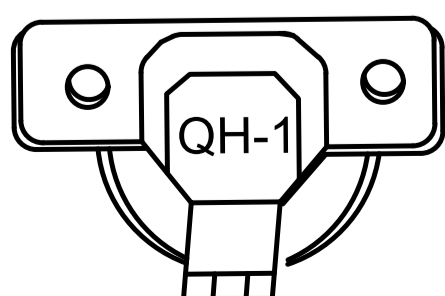
(L)



x12

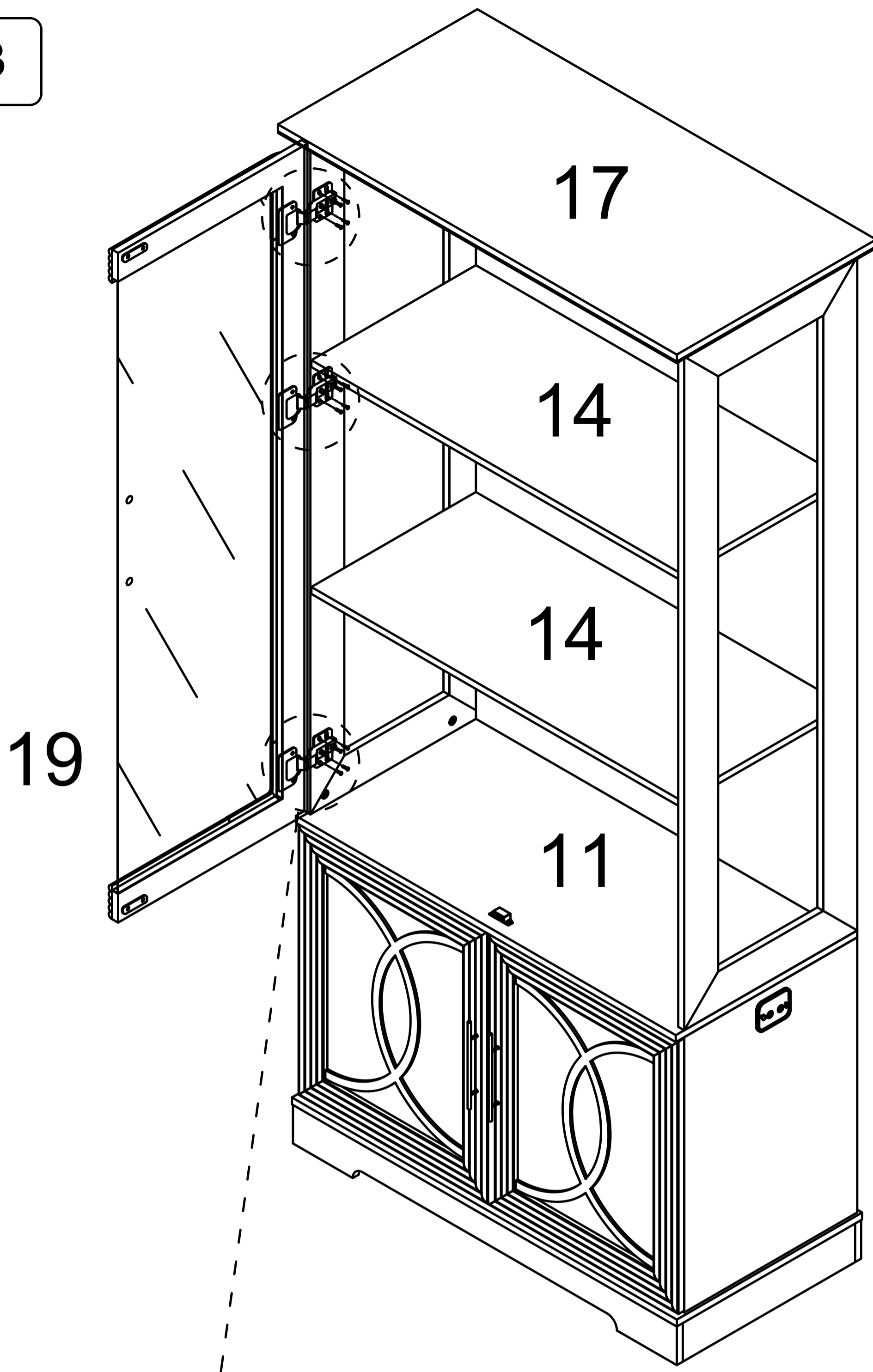


Please use the QH-1 hinge to mount
First lock the elliptical hole
then lock the fixed hole

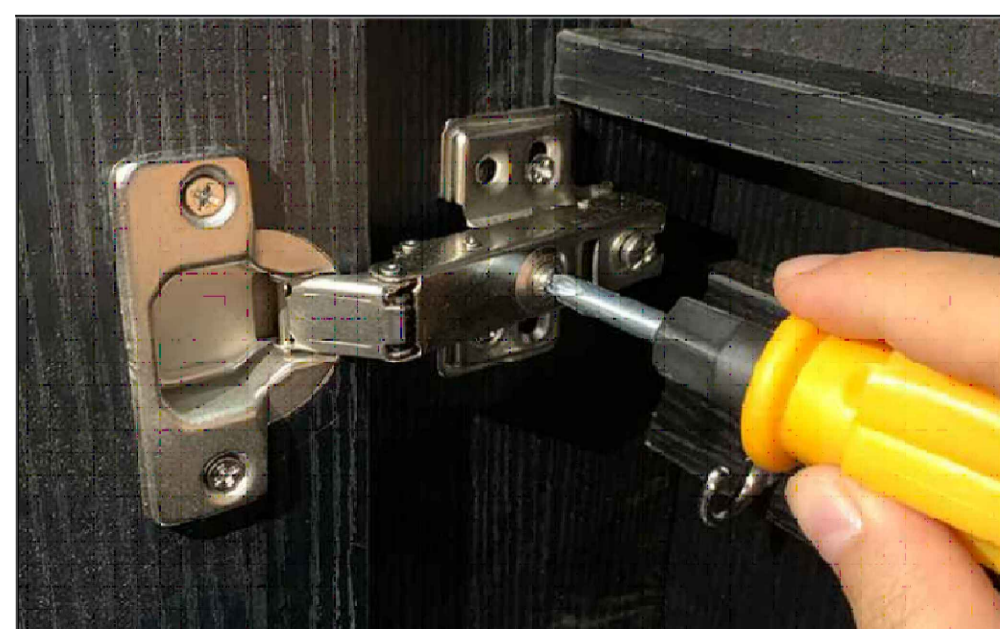
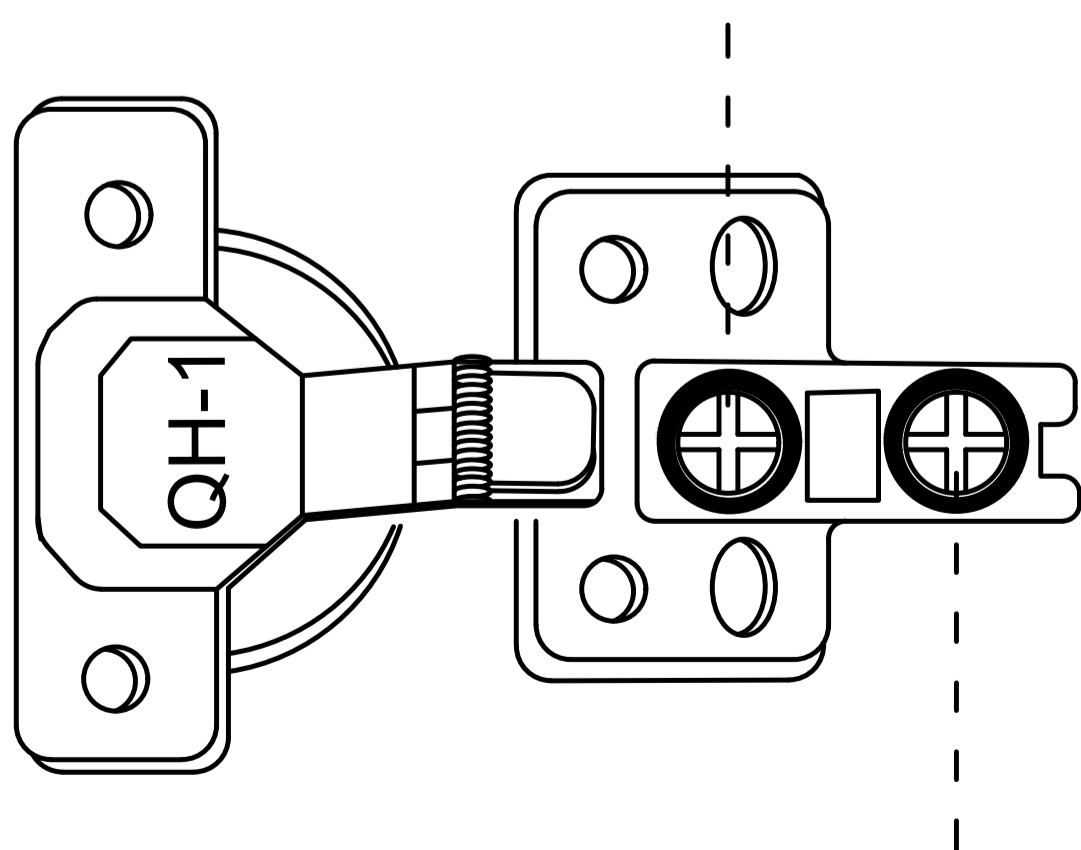


SY

Step 43



Turning this screw can effectively adjust the size of the door gap.



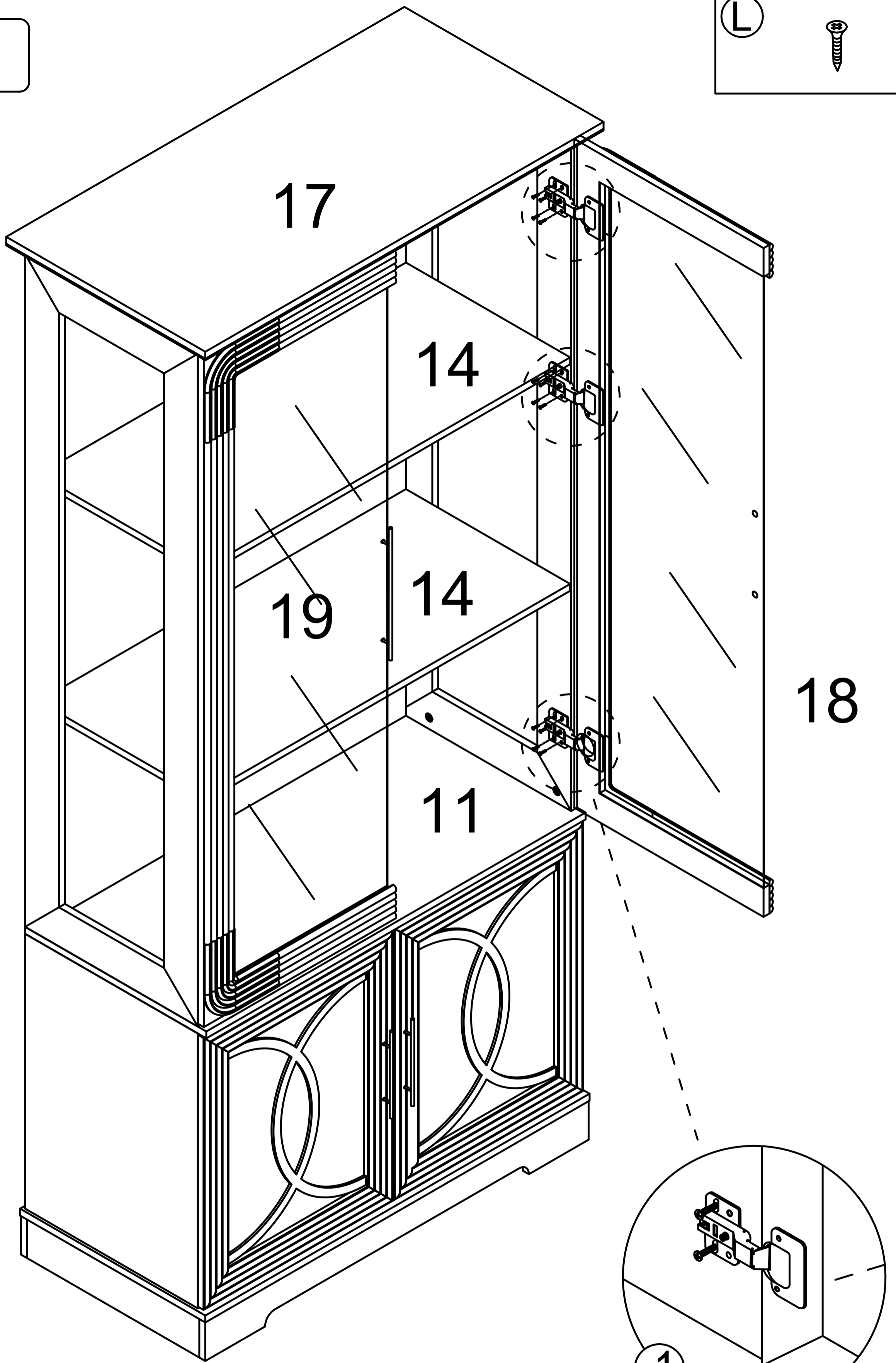
Turn this screw to adjust the door panel to be flat with the side panel.

Step 44

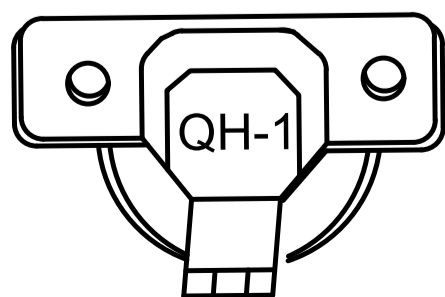
L



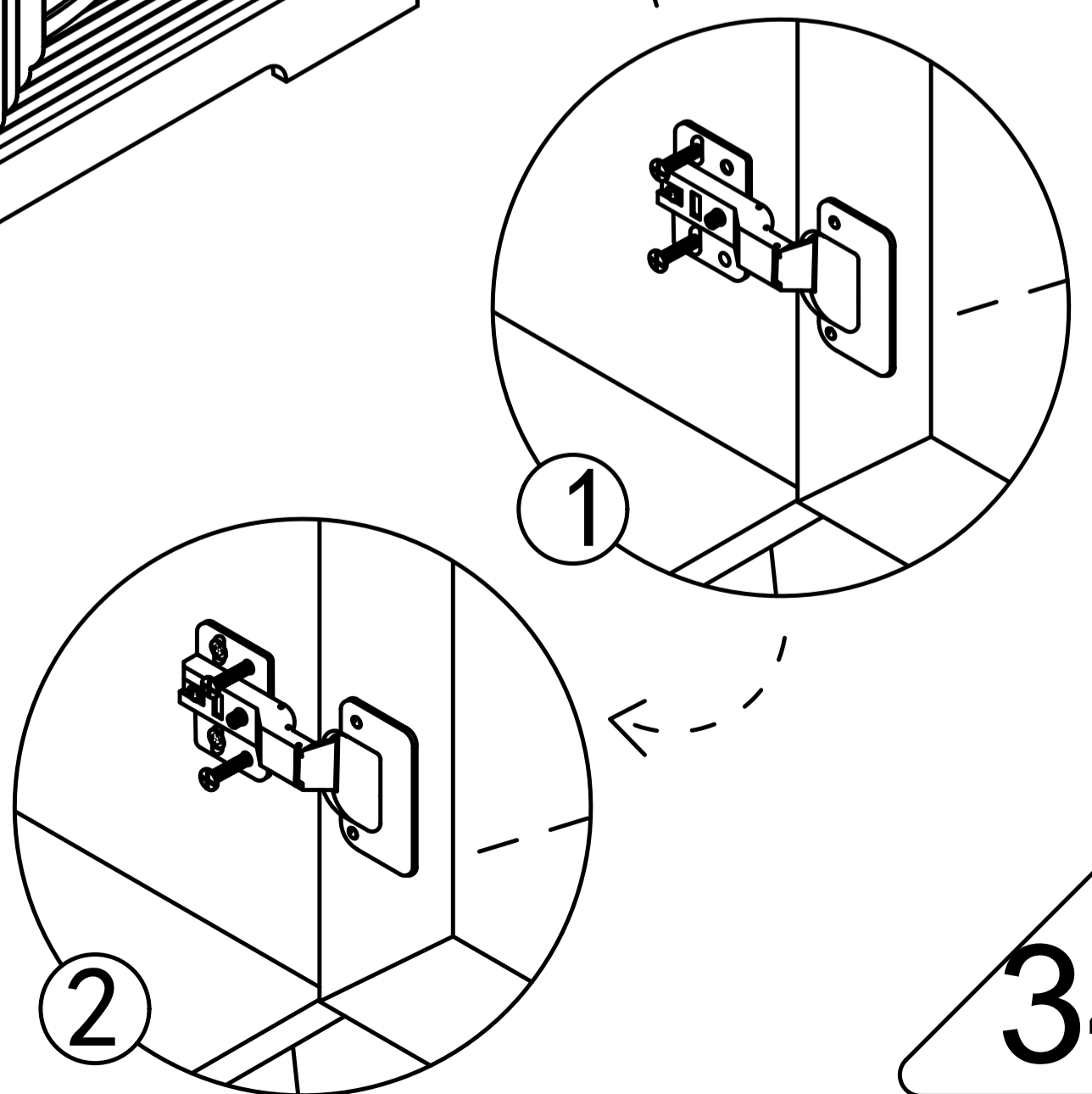
x12



Please use the QH-1 hinge to mount
First lock the elliptical hole
then lock the fixed hole

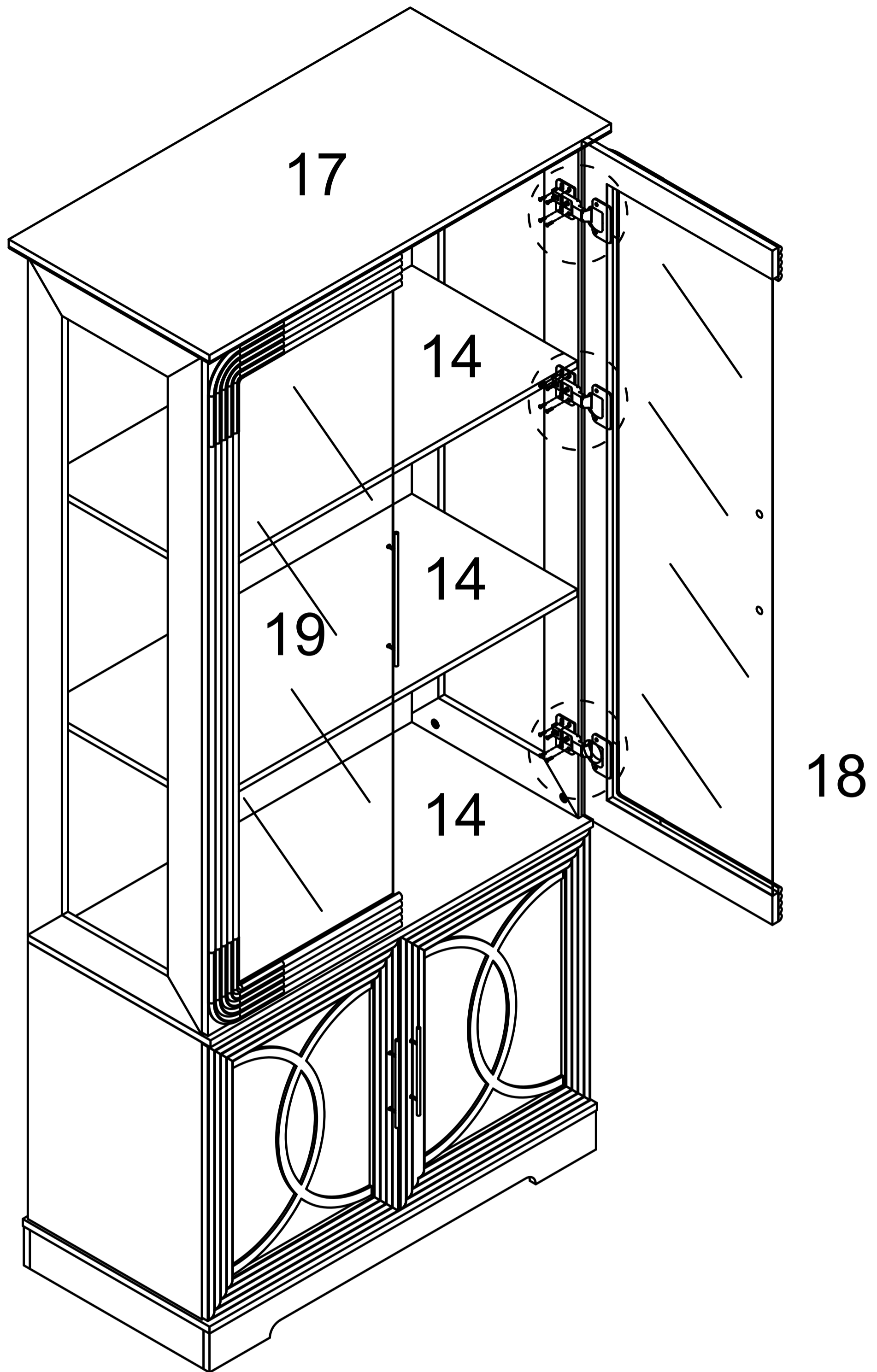


SY

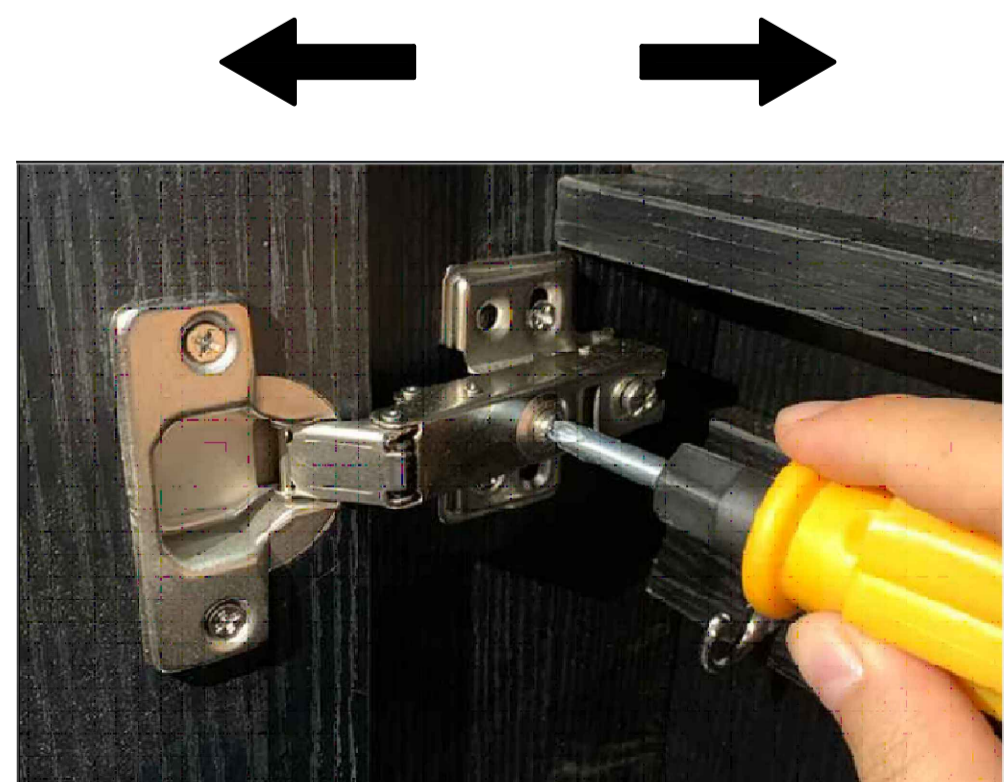
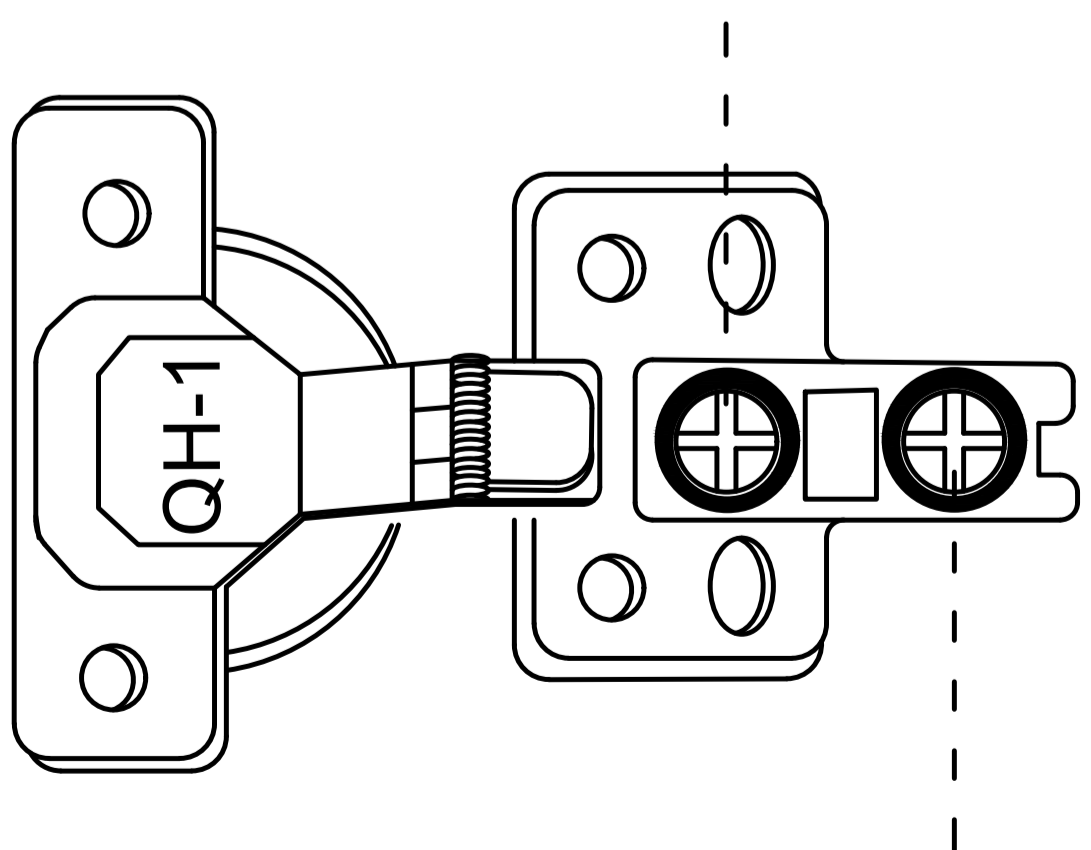


34

Step 45

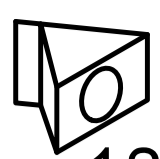

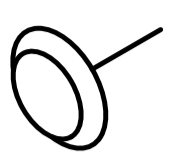


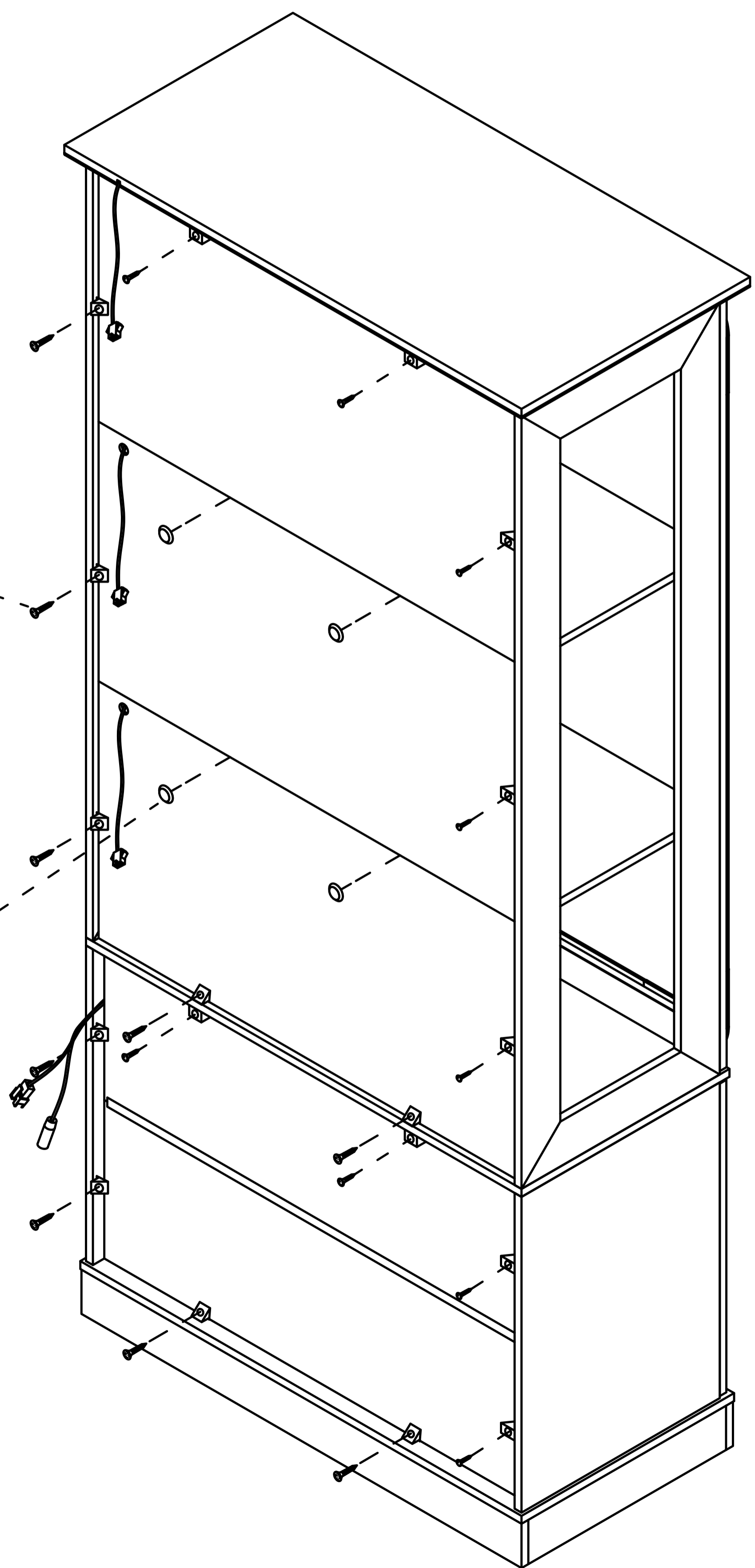
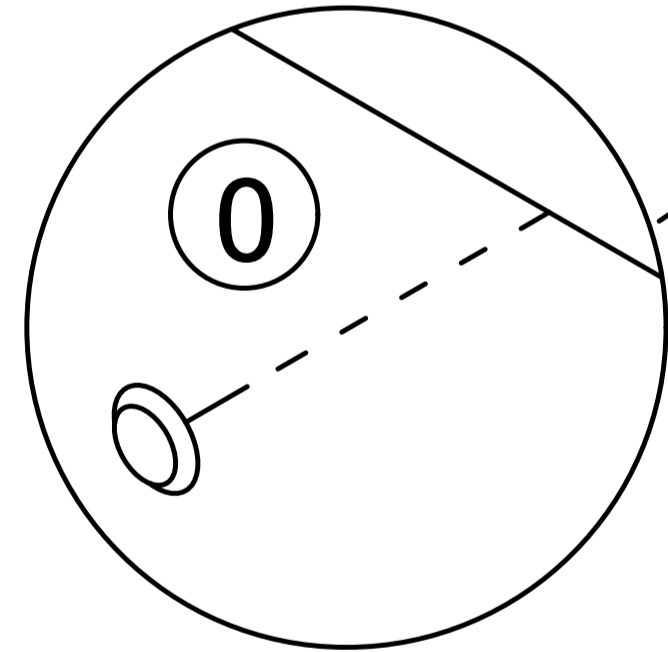
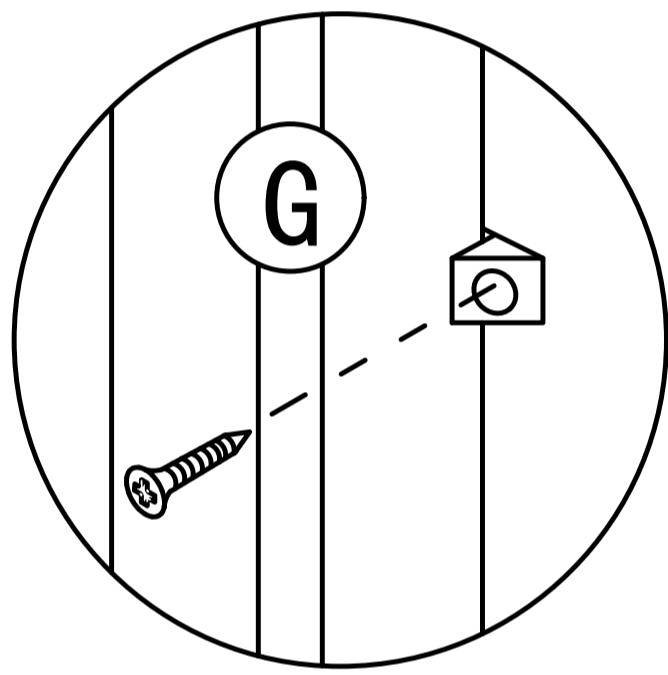
Turning this screw can effectively adjust the size of the door gap.



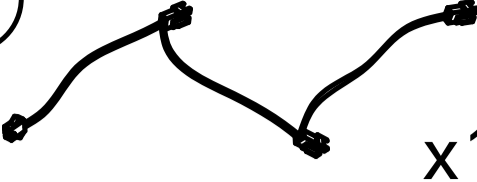
Turn this screw to adjust the door panel to be flat with the side panel.


Step 46

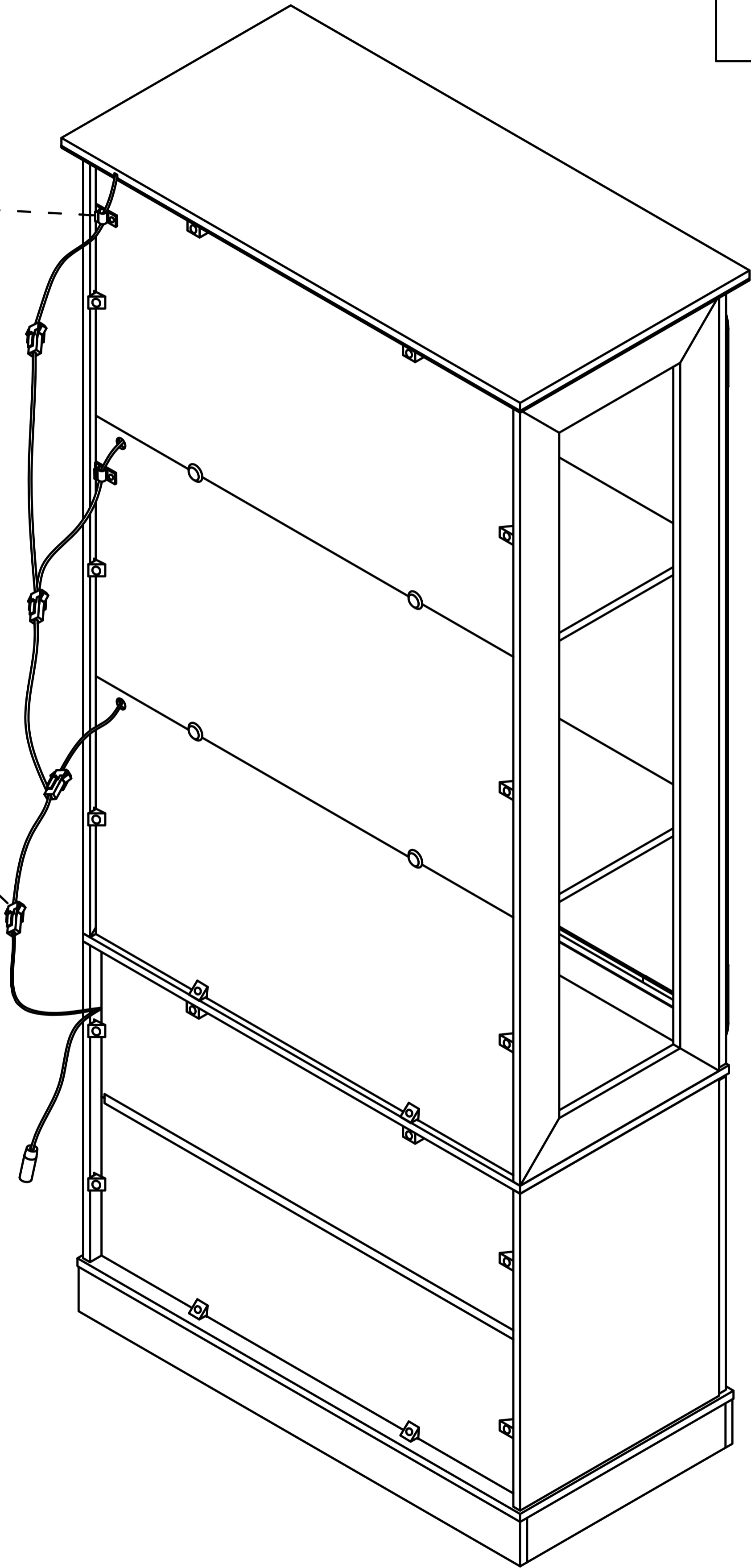
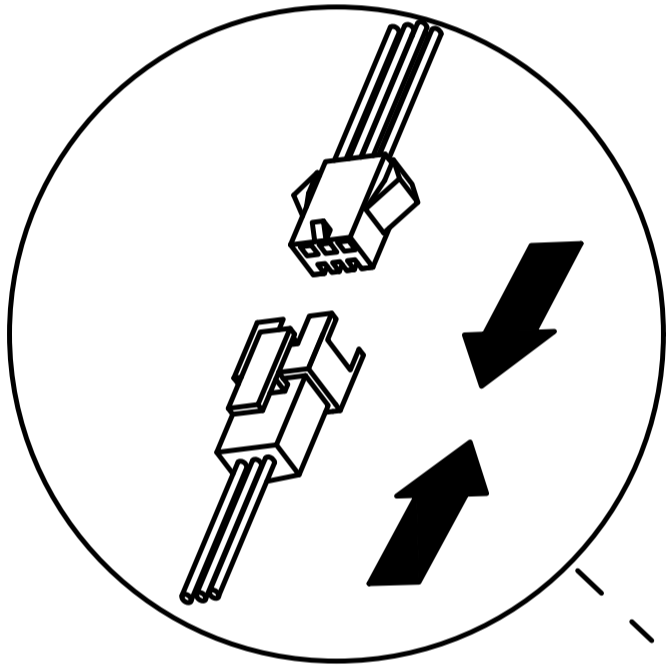
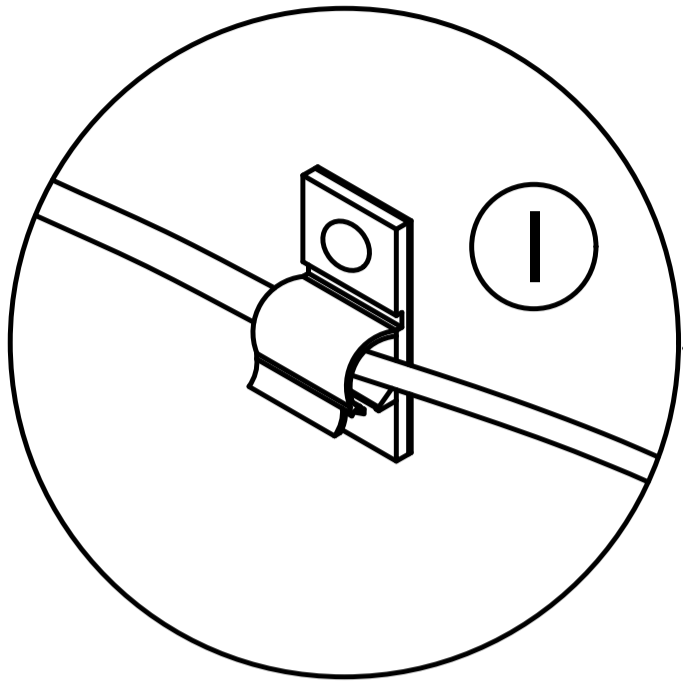
G	 x18	 x18
O	 x4	



Step 47

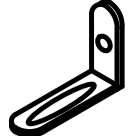


(M)  x1

(I)  x2

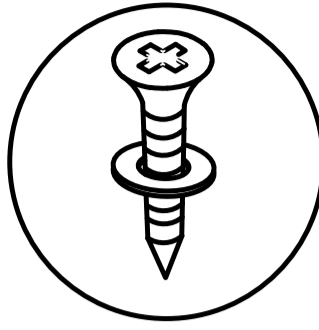


Step 48

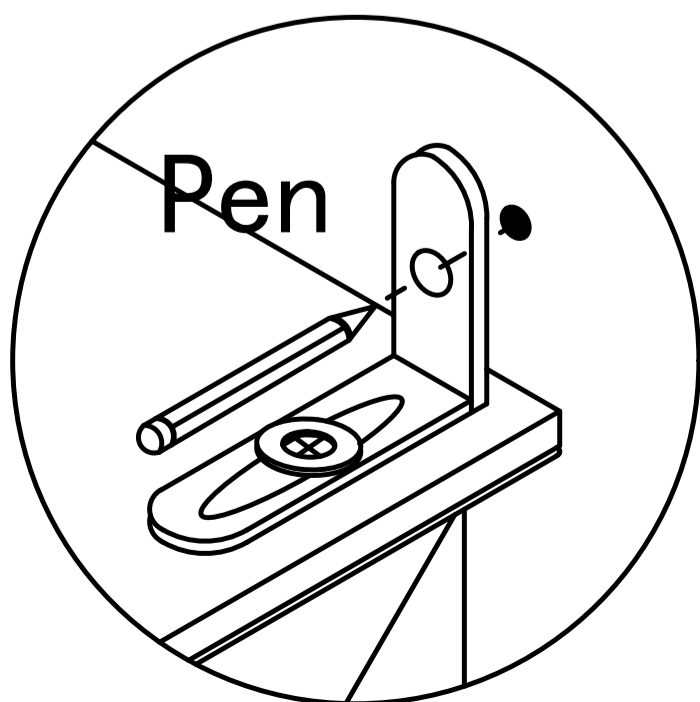
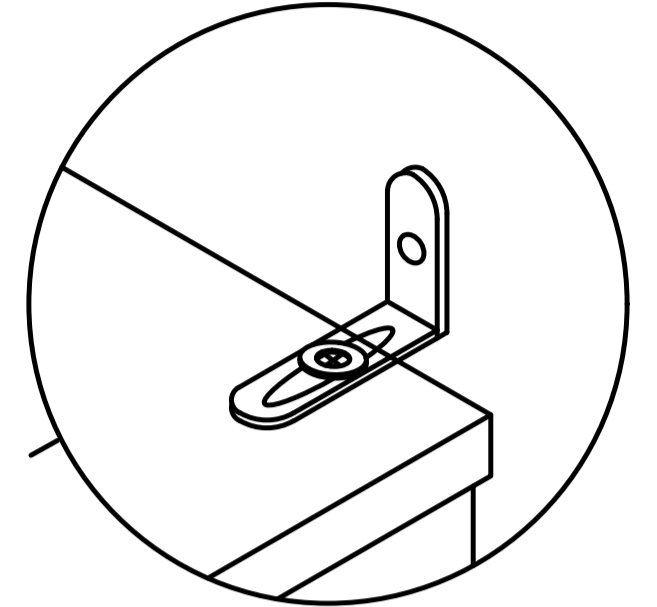
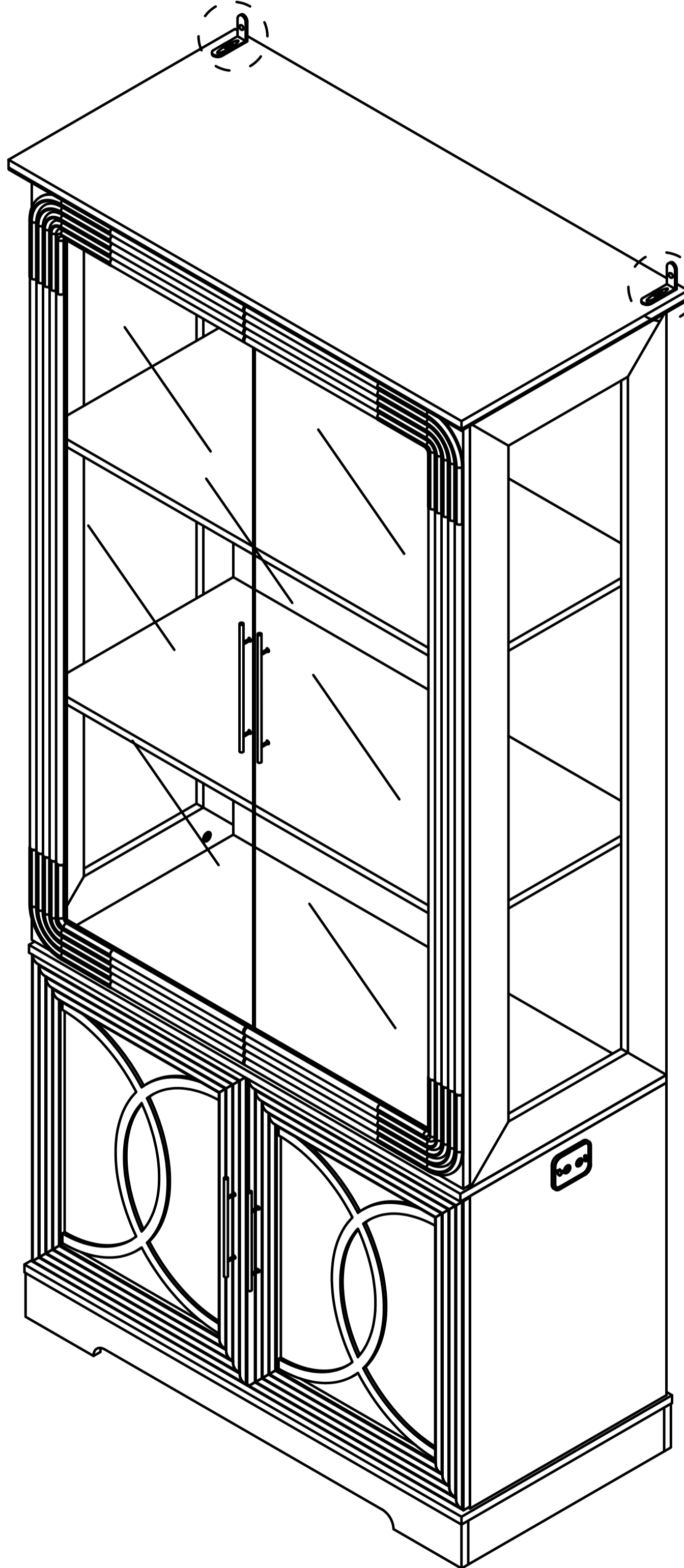
Install as required

(P)  x2  x2
 x2

3.5x14mm



Install the anti fall hardware on the cabinet as shown in the picture first




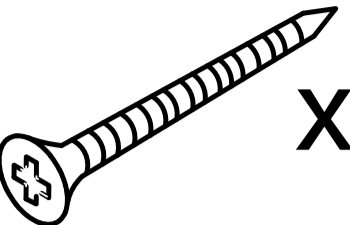

Pen

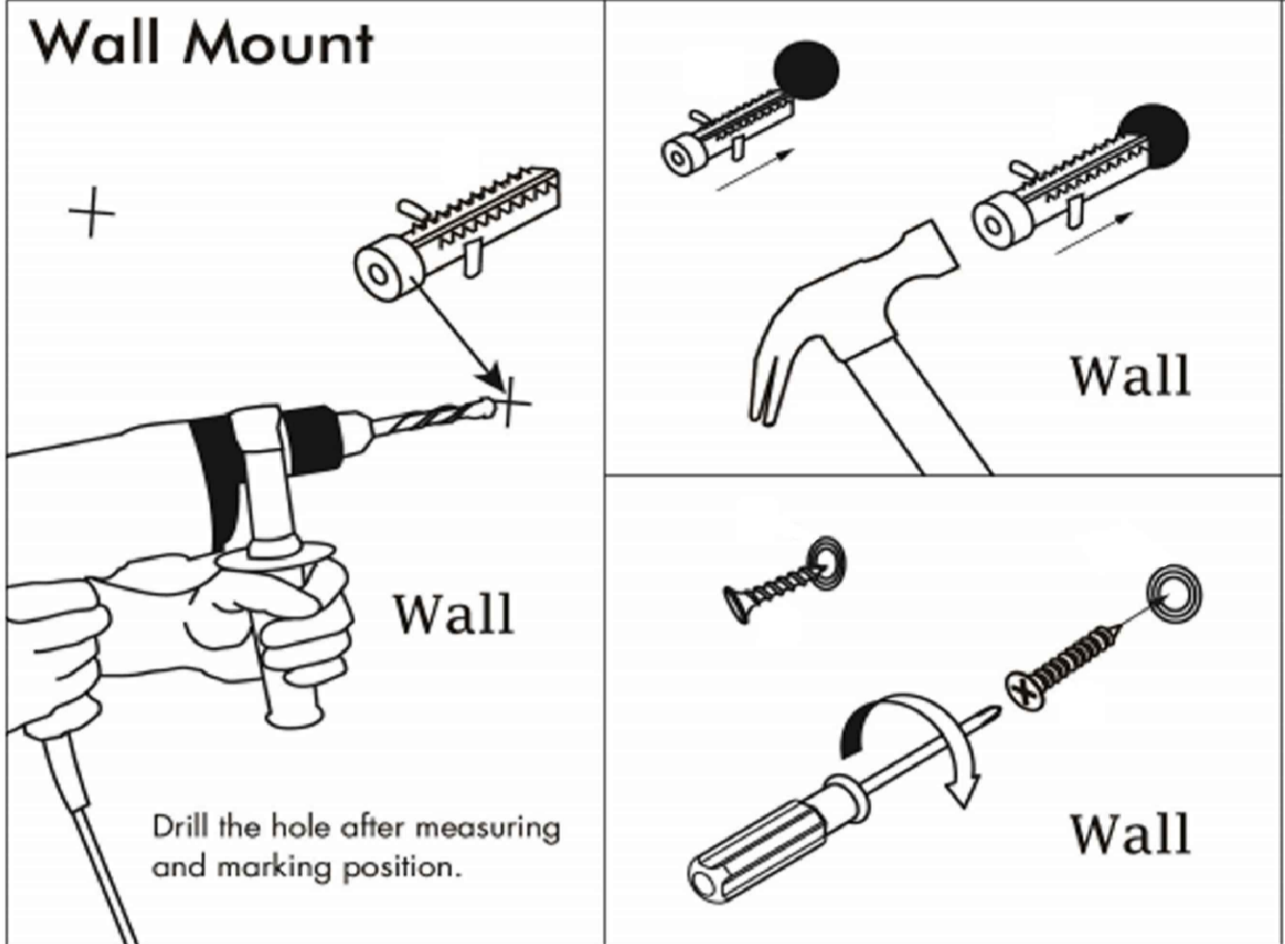
Then mark the wall with a pen through the holes in the anti-fall hardware

SY

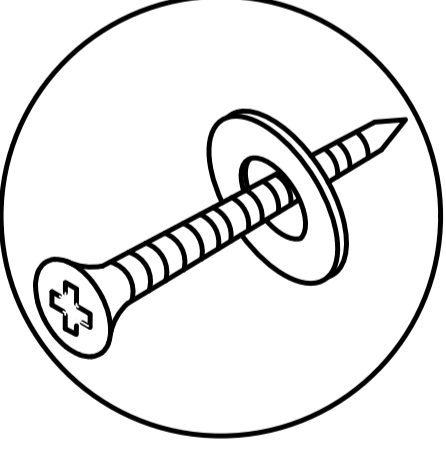
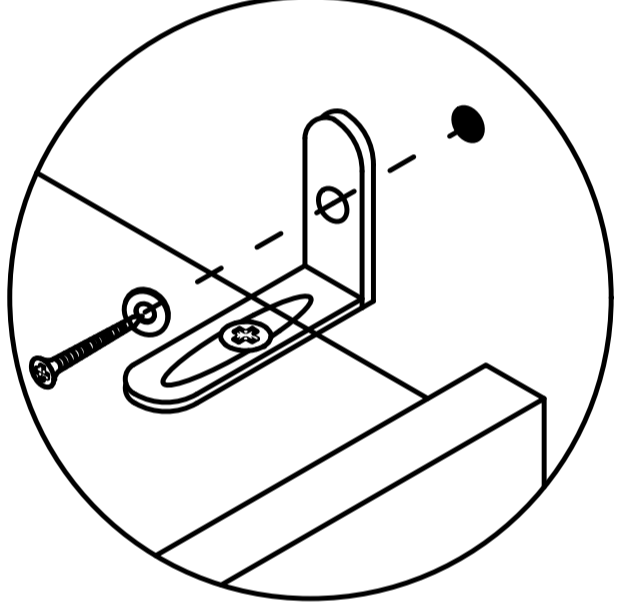
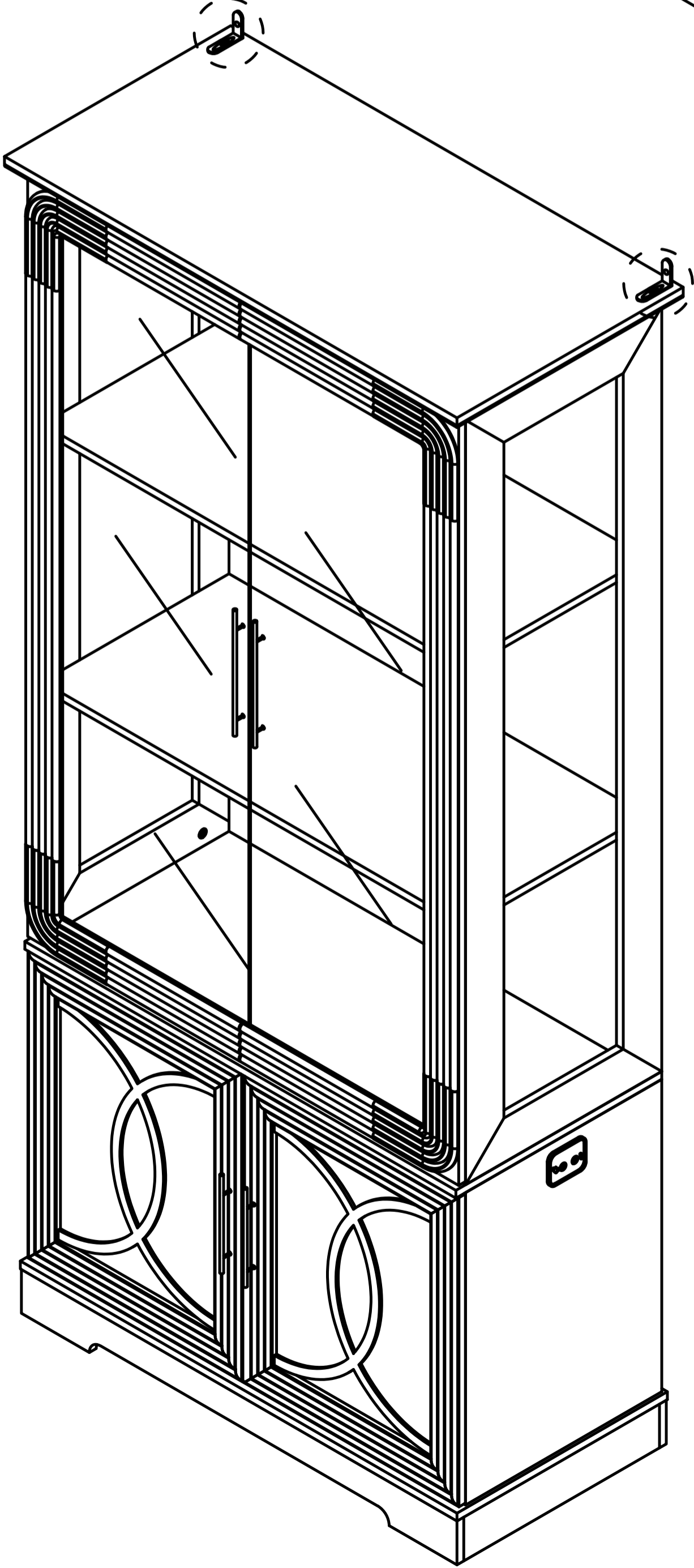
38

Step 49

- P**  x2
-  x2  x2



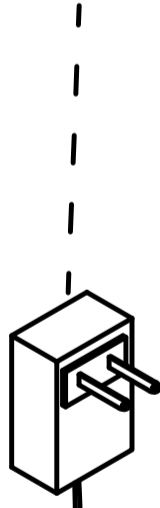
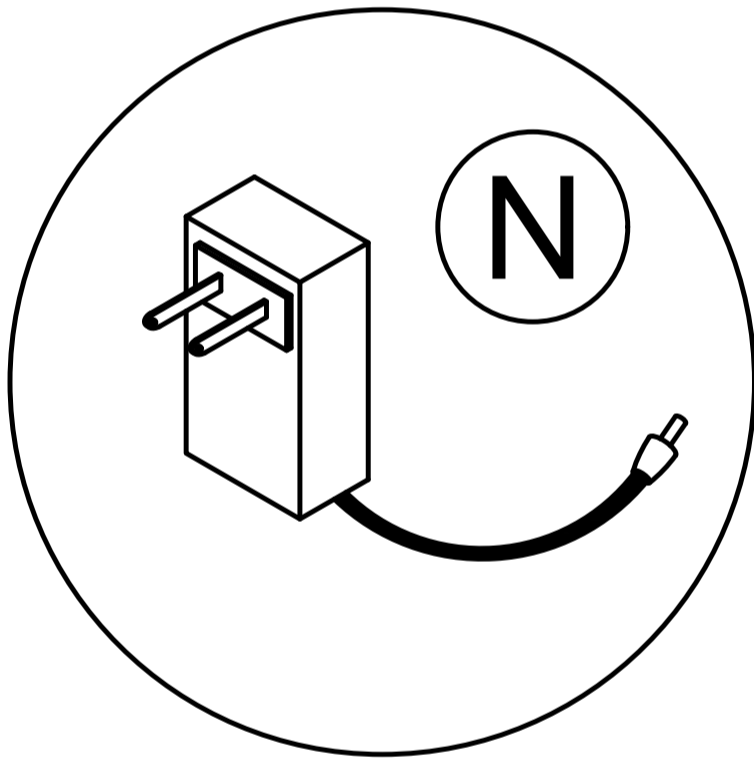
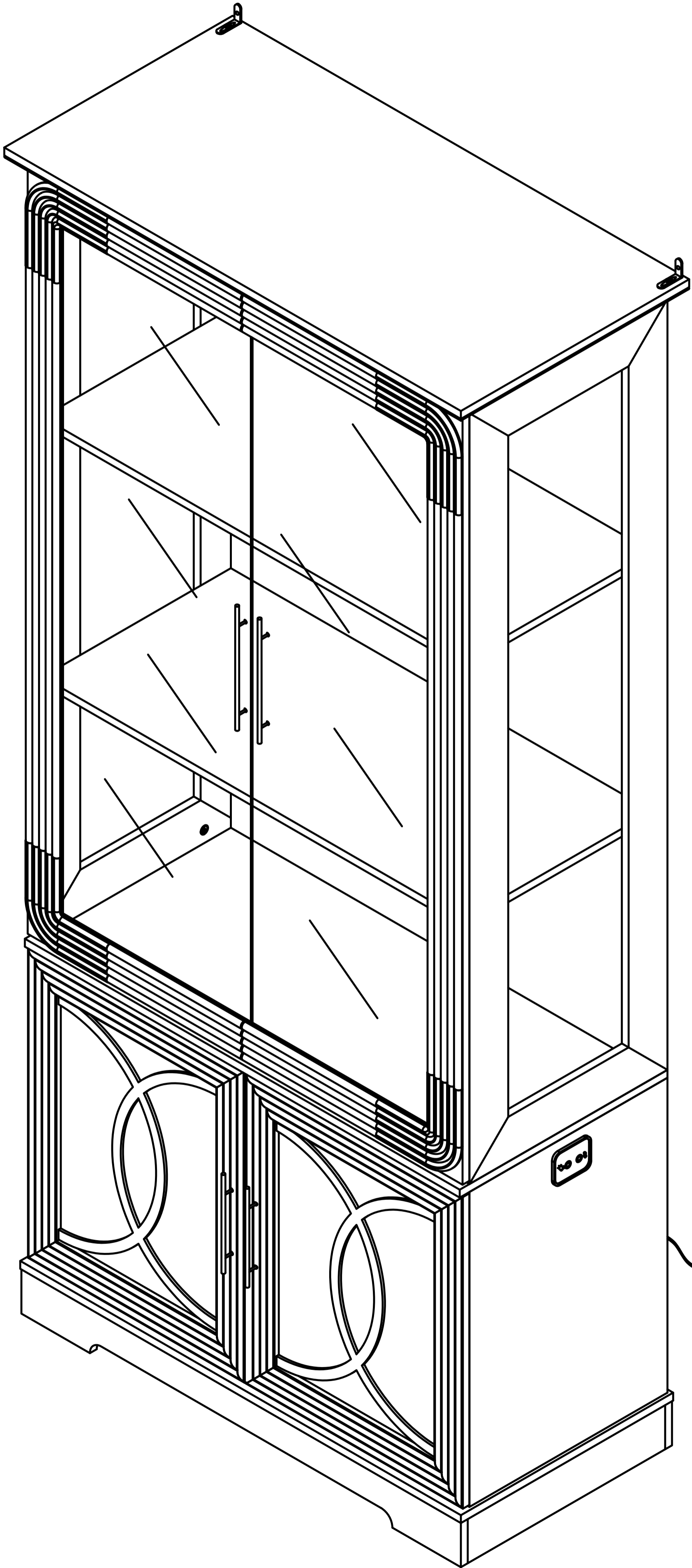
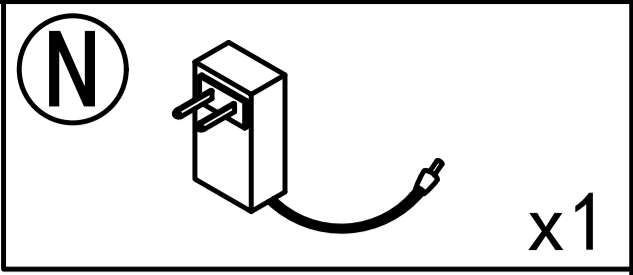
Drill the hole with an electric drill and punch in the coloidal particles



4x45mm

Fix the dressing table to the wall

Step 50



40

SY

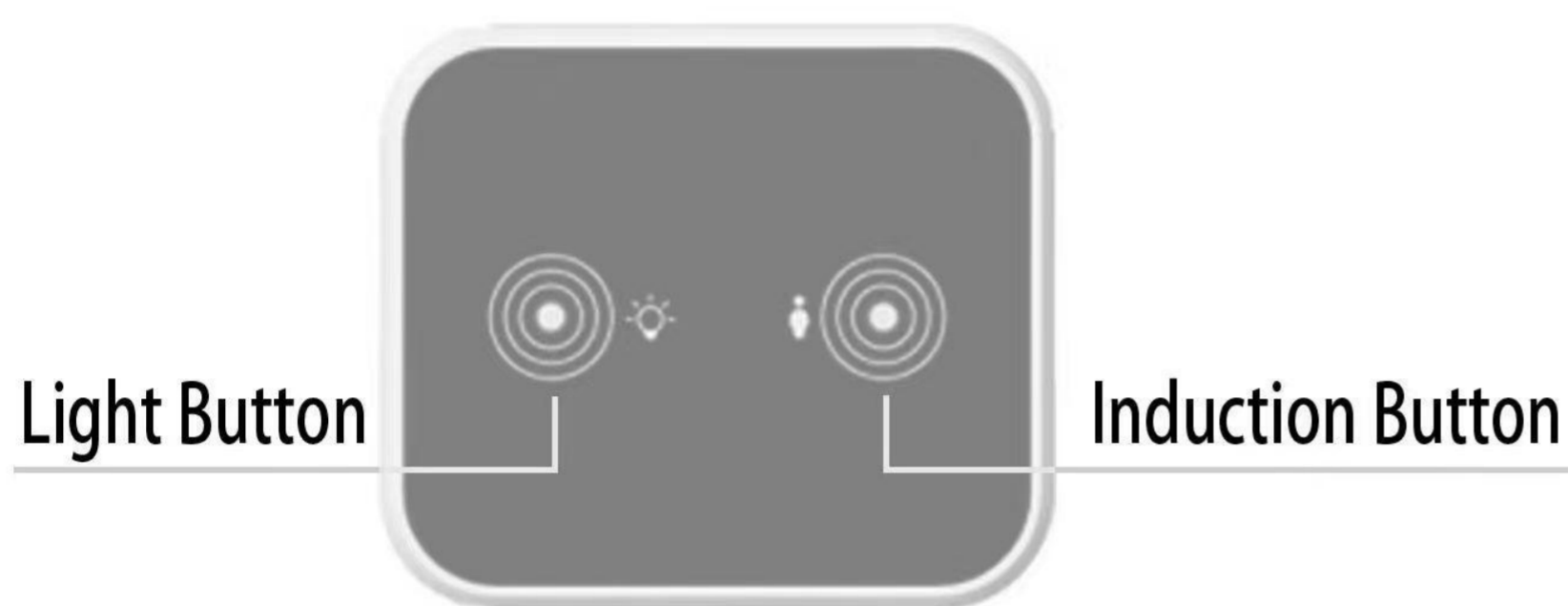
User's Guide

Thank you for purchasing this product. To use this product, please plug it into a 12V DC power supply. Please use if the product works normally after connecting to power.

Introduction

The box is an intelligent controller with 2 touch buttons. It can turn ON/OFF the light, change light colors, and adjust the light luminance.

Product Show



ATTENTION PLEASE

1. If there is no touch response suddenly, Re-plug the power to reset the touch static electricity.
2. If bubbles appear on the panel, remove the protective film.

Operation



This touch button is used to turn on/off, change colors, and adjust brightness.

A. Short touch -> lighting on -> short touch -> change light color -> short touch -> change light color -> short touch -> lighting off. B. Long touch -> adjust the luminance



This touch button is used to turn on/off the induction function.

A. Short touch to turn on the induction function. It can auto-turn on the light when people are close to the controller in 1 meters. It can auto power off the light when the body is far away from the controller after 30 seconds.

B. Long touch to turn off the induction function.

C. Note: When you touch the light button to change the light modes, the induction function will automatically turn off. It is best to turn on this function after selecting the light color and adjusting the brightness you want.