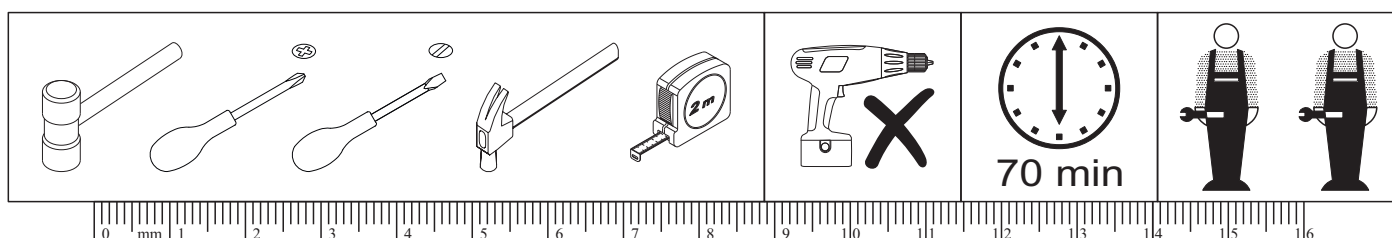


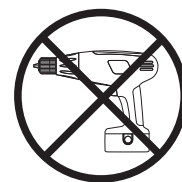
# Owner Manual



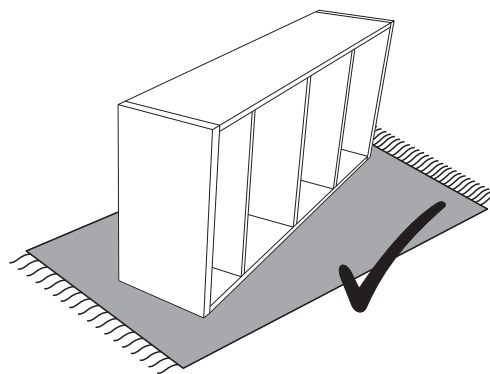
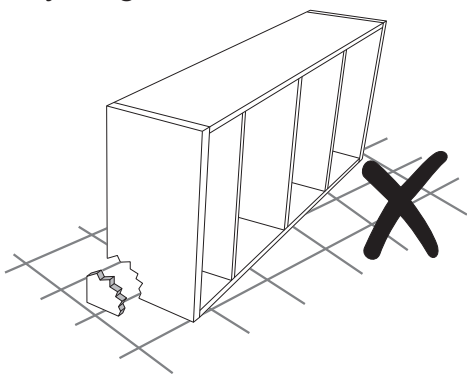
## General Assembly Guidelines

- Please take the time to carefully read through these instructions before you commence.
- Keep these instructions for future reference.
- We advise that the product is assembled in the room it is intended for.
- We advise that you keep the hardware in a bowl during assembly to avoid losing anything.
- We strongly recommend that you keep children away from the work area.
- Small component parts could choke a child if swallowed.
- This product is heavy, and we recommend a 2 person lift to avoid personal injury or damage to the product.
- Never push or pull the product as this could cause both personal injury or irreparable damage to product or floor.
- We have tried to make this piece of furniture easy to assemble if the instructions are followed carefully.
- In the unlikely event that you have problems with assembling the product or have missing or damaged parts, please contact your retailer and we will assist them in rectifying the problem as quickly as possible.

- Please remember we strongly urge you DO NOT use power tools such as drill or electric screwdrivers as this could cause irreparable damage to your product and will invalidate your warranty.

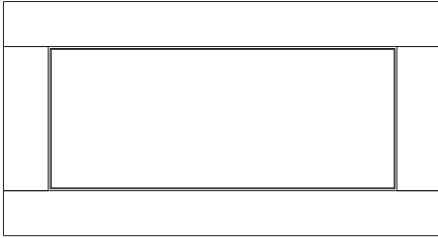


- We recommend you use a sheet or blanket to protect both floor and product through the assembly stages.

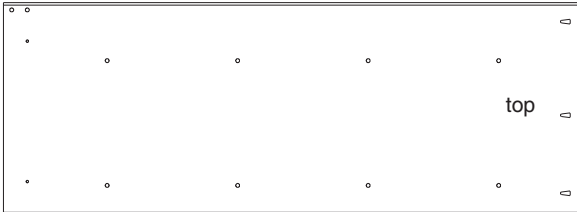


## Maintenance Guide

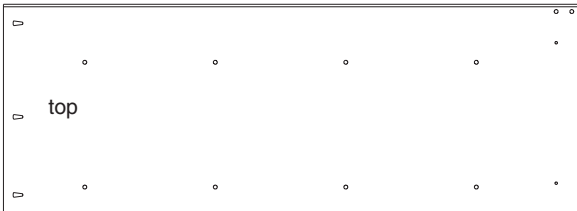
- We advise that when cleaning the product that a damp cloth is used.
- Avoid the use of all household cleaners and abrasive.
- Never push or drag the furniture.
- Never attempt to move the furniture when fully loaded.
- We advise that periodically all fixing are re-tightened.



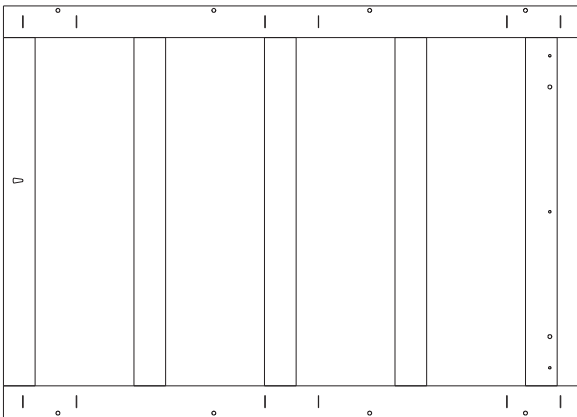
1 900 x 480mm  
35.43" x 18.90"



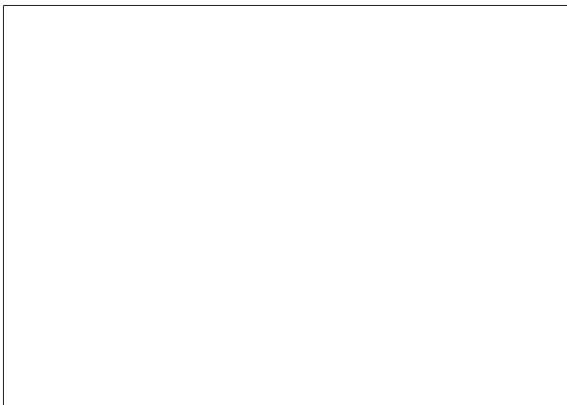
2 1184 x 430mm  
46.61" x 16.93"



3 1184 x 430mm  
46.61" x 16.93"



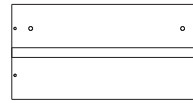
4 1184 x 844mm  
46.61" x 33.23"



5 1165 x 826mm  
45.87" x 32.52"



6 708 x 195mm (4x)  
27.87" x 7.68"



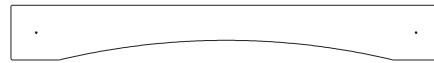
7 390 x 195mm (8x)  
15.35" x 7.68"



8 680 x 195mm (4x)  
26.77" x 7.68"



9 690 x 373mm (4x)  
27.17" x 14.69"



10 884 x 112mm  
34.80" x 4.41"



11 448 x 112mm (2x)  
17.64" x 4.41"



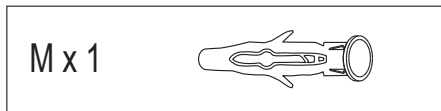
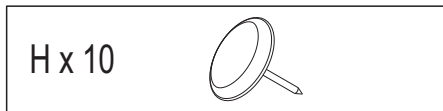
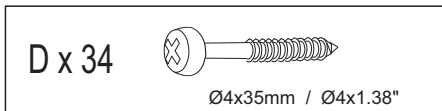
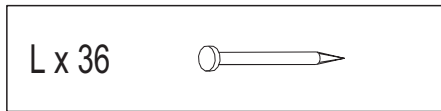
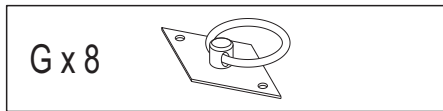
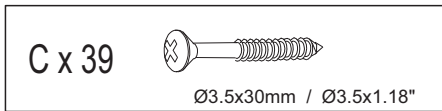
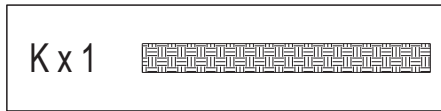
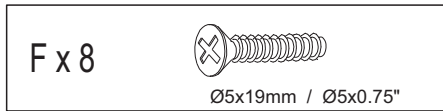
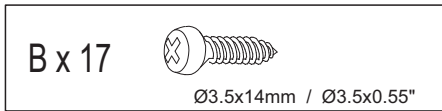
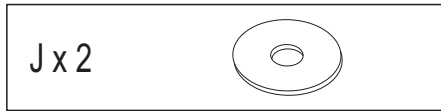
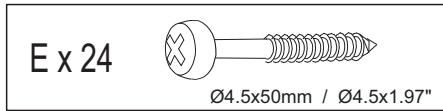
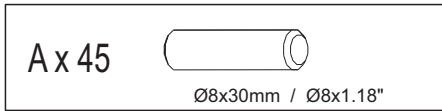
12 808 x 65mm  
31.81" x 2.56"



13 354 x 55mm (8x)  
13.94" x 2.17"

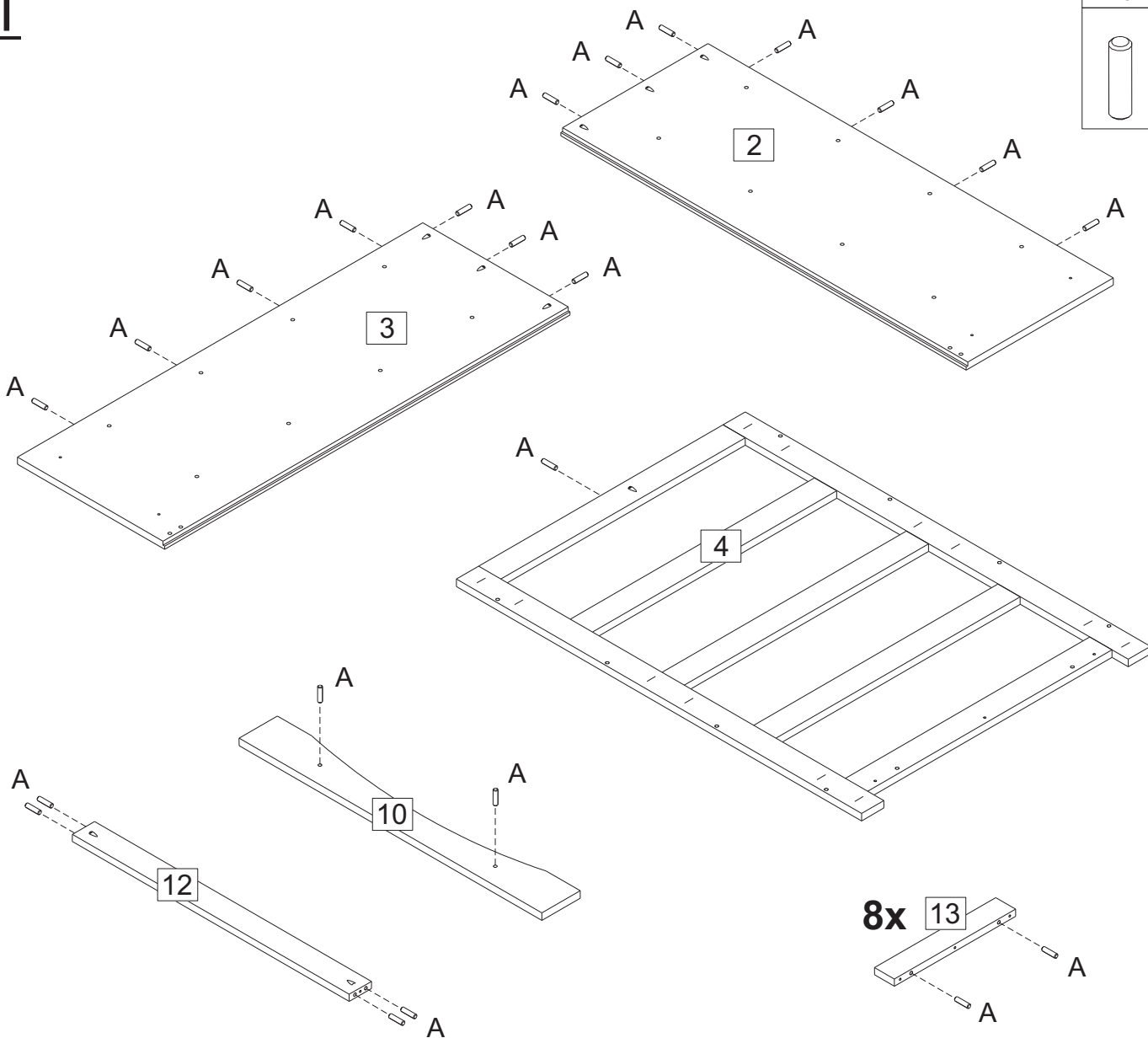


14 100 x 19mm (6x)  
3.94" x 0.75"

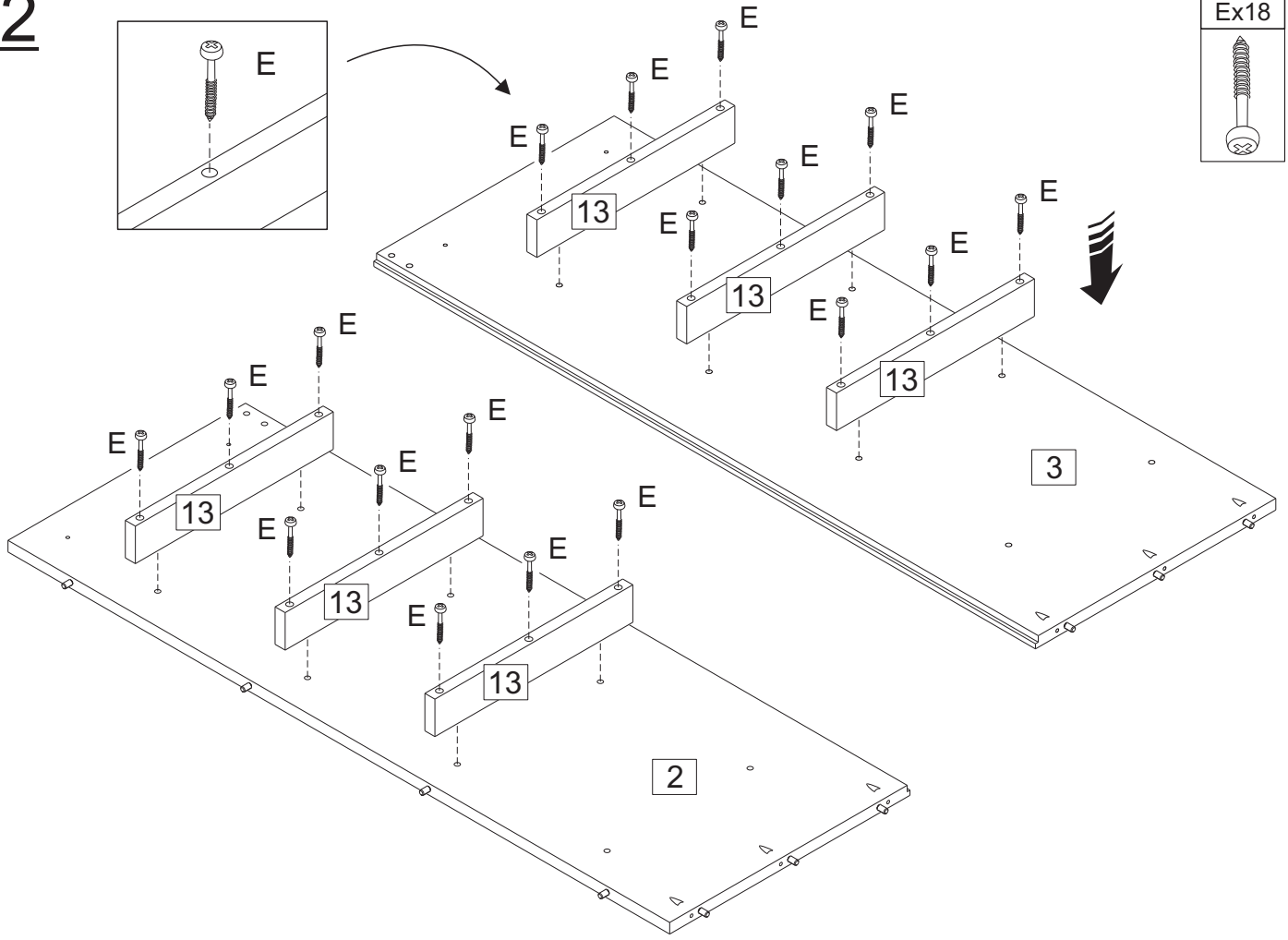
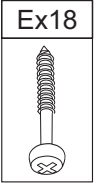
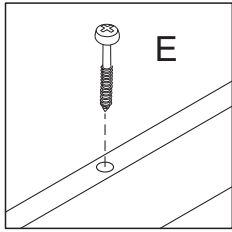


**1**

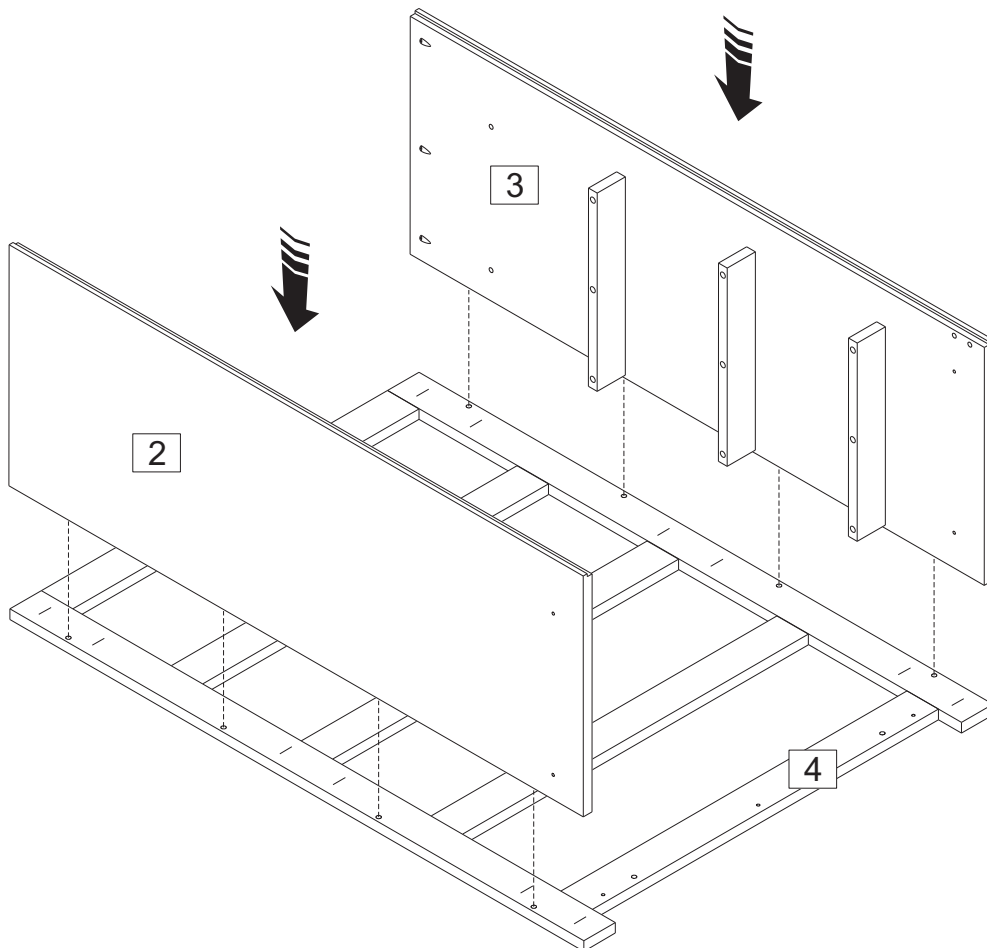
Ax37



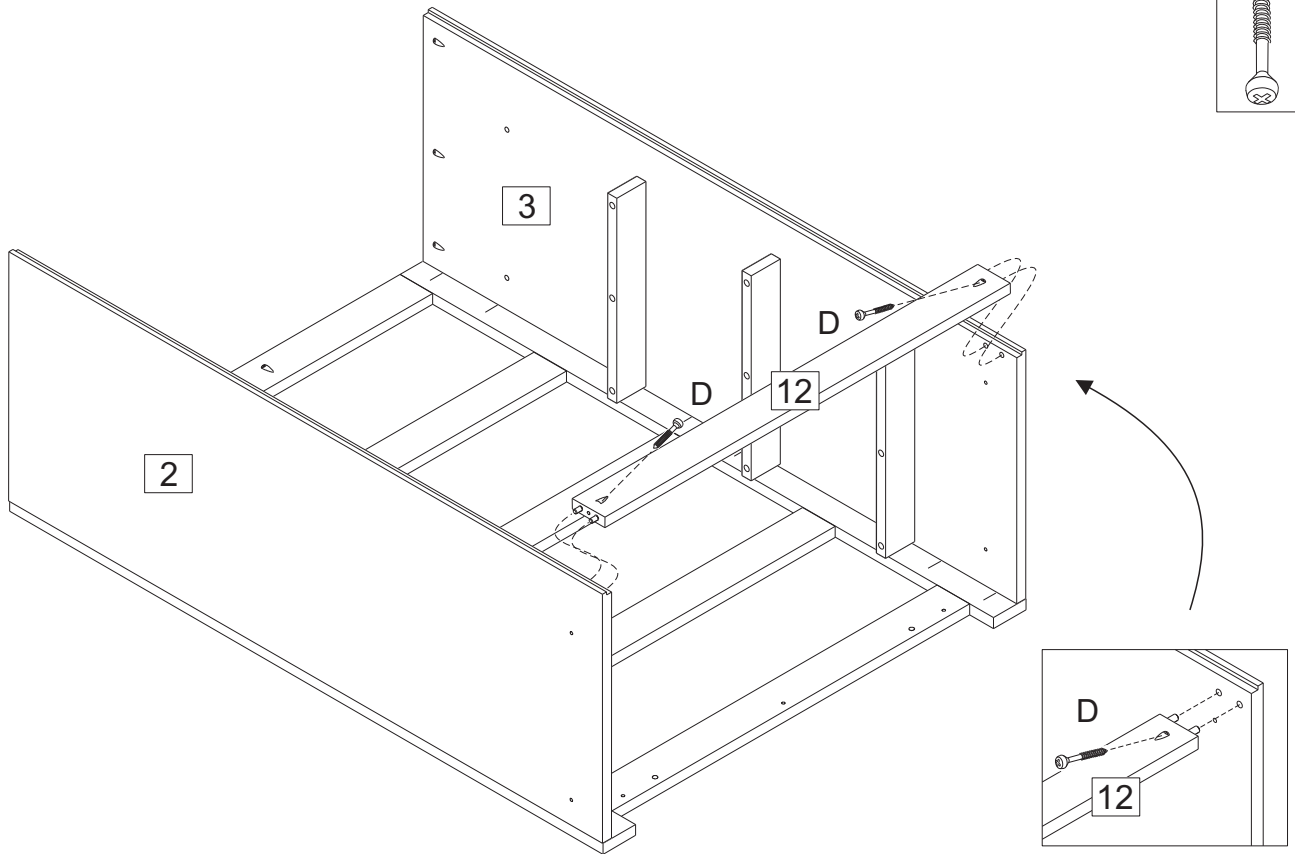
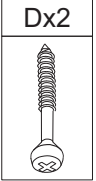
2



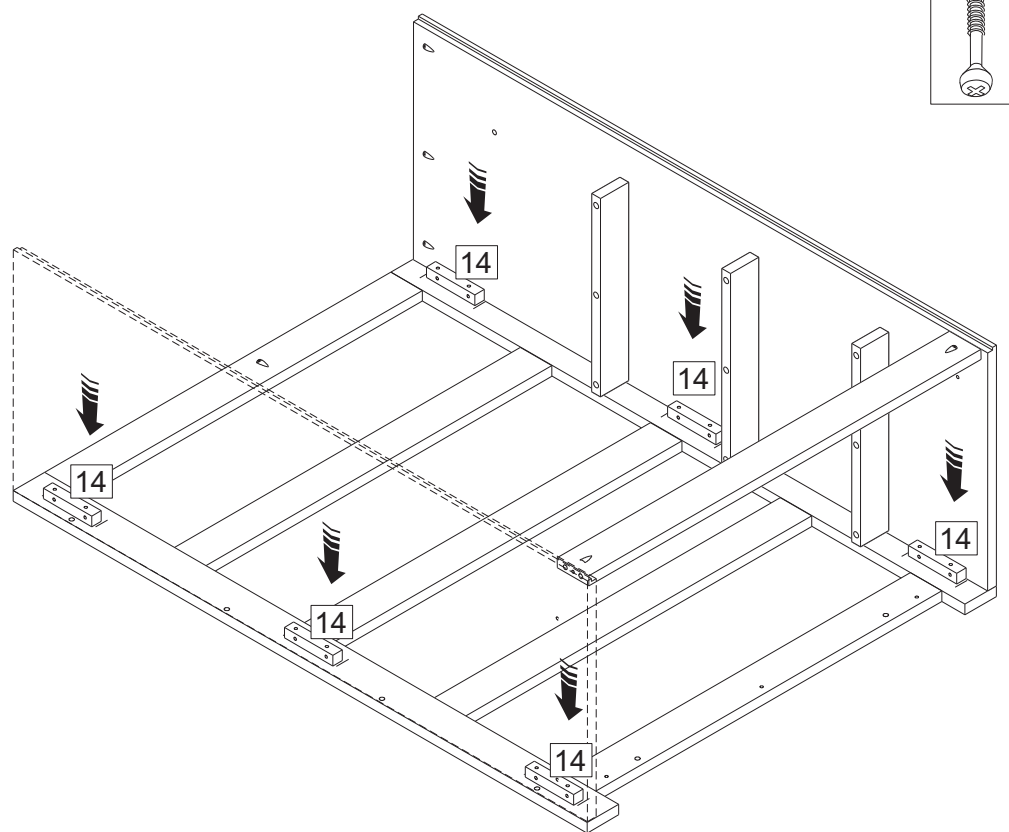
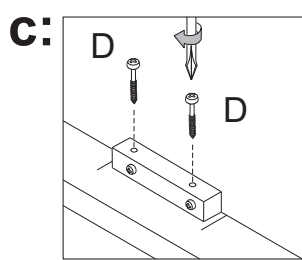
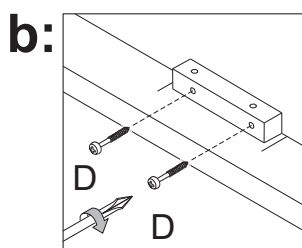
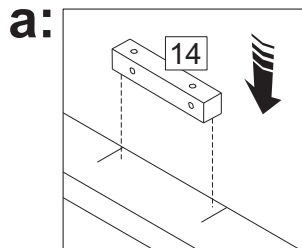
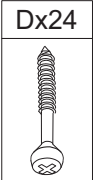
3



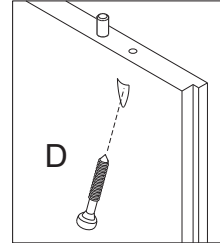
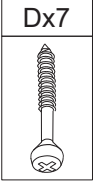
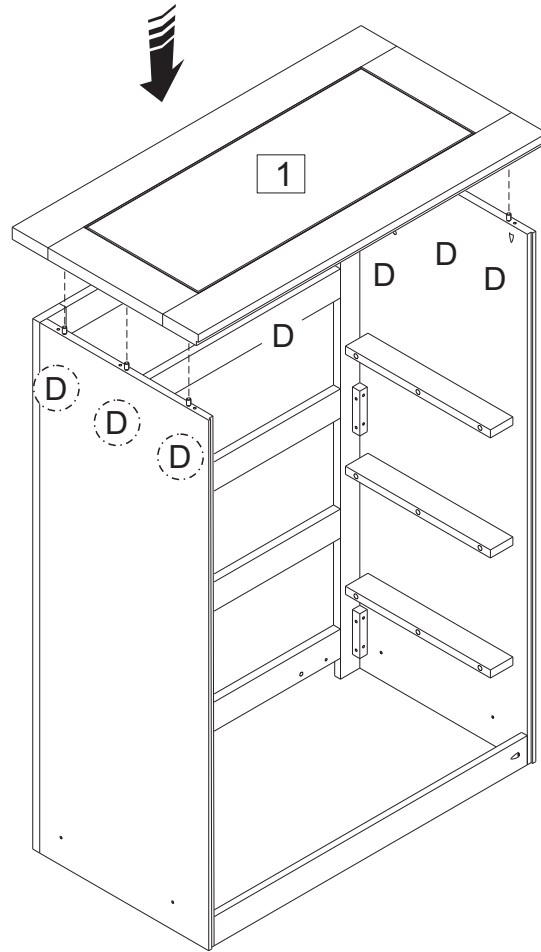
4



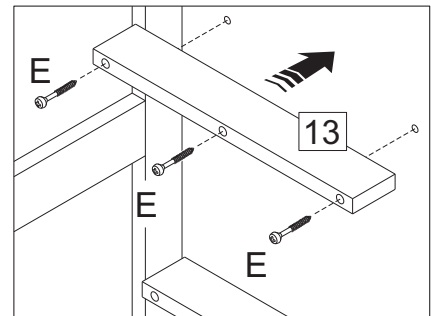
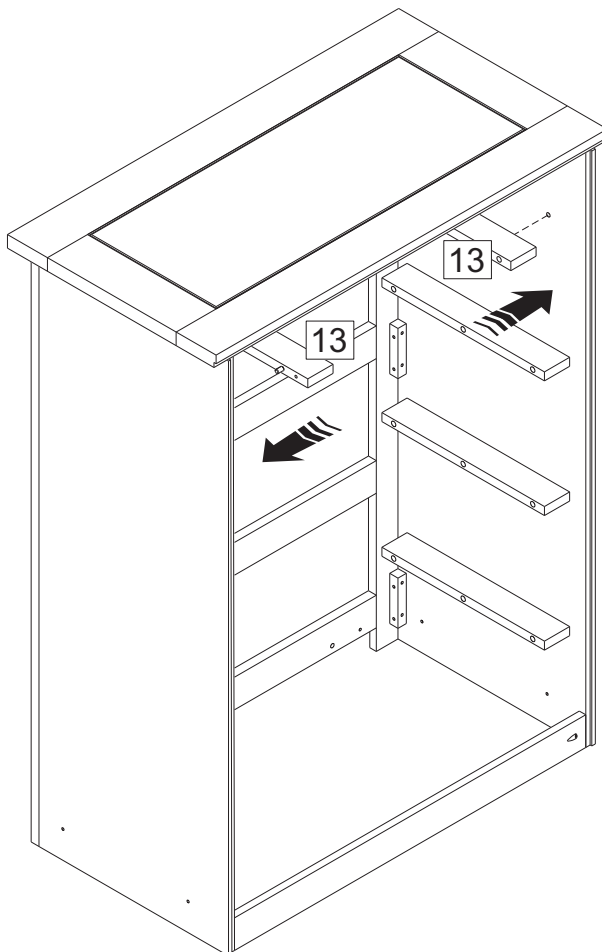
5



6



7





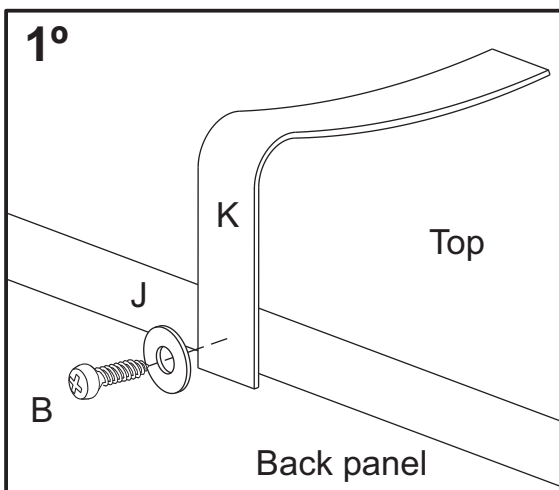
## WARNING

Serious or fatal injuries can occur from furniture tipping over. To prevent the furniture from tipping over we recommend that it is permanently fixed to the wall.

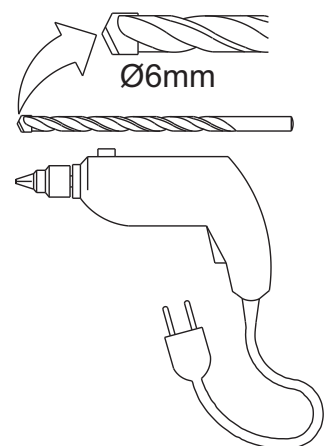
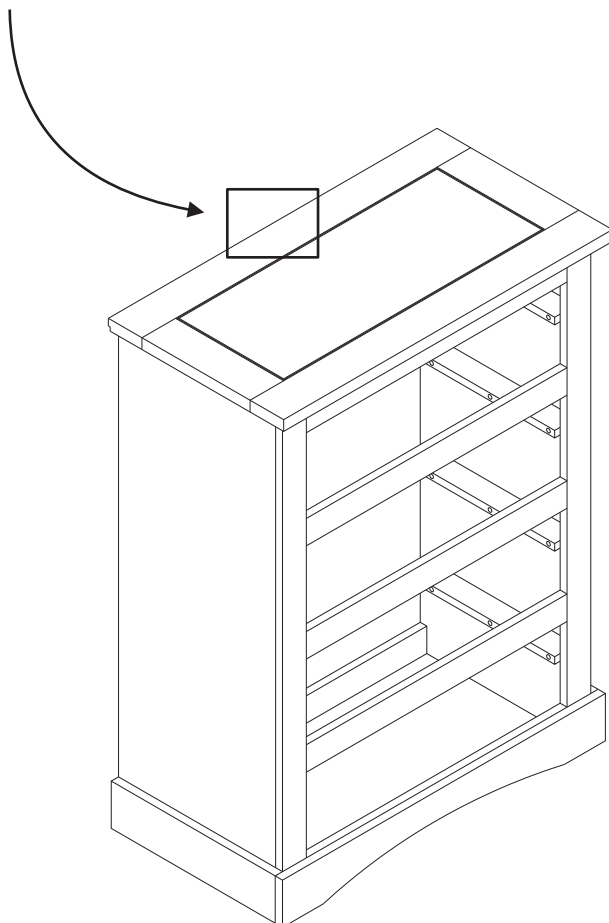
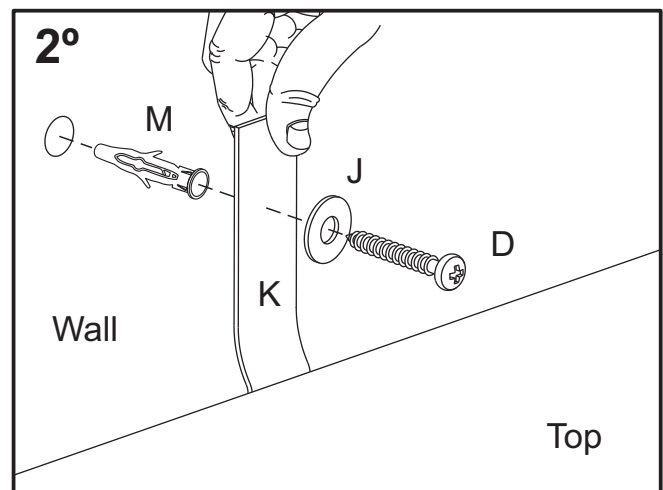
Wall anchor and hardware are included with this product.

Please make sure hardware is suitable for your walls before installing, as different wall materials may require different types of anchors.

Attach screw (B) into washer (J), securing wall anchor (K) at the top middle part (1).

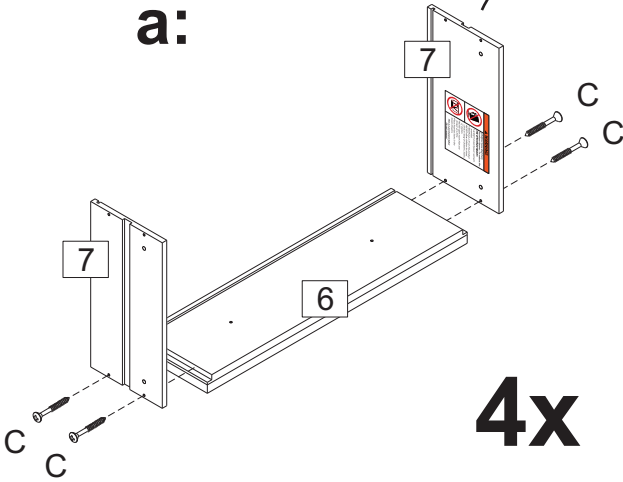


Drill your wall with a 6mm drill (not included) and insert hardware (M), securing wall anchor (K) with washer (J) and screw (D) in the wall.



Bx1	Dx1	Kx1	Jx2	Mx1

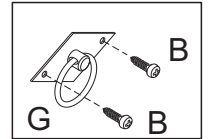
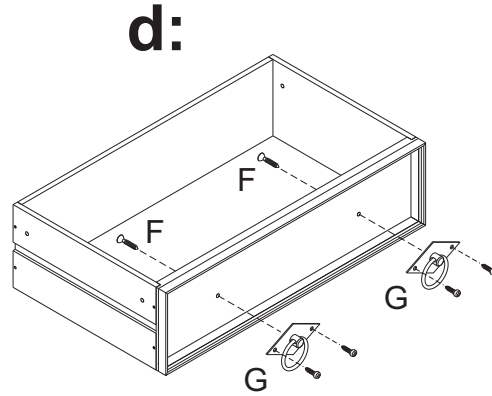
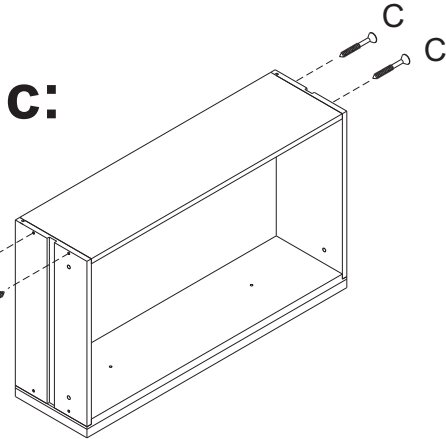
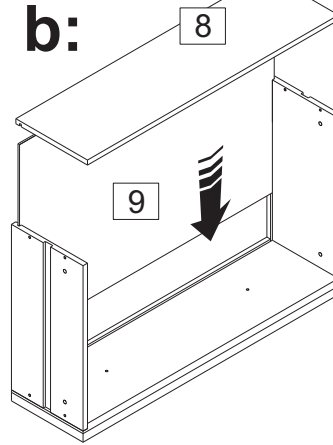
# 11



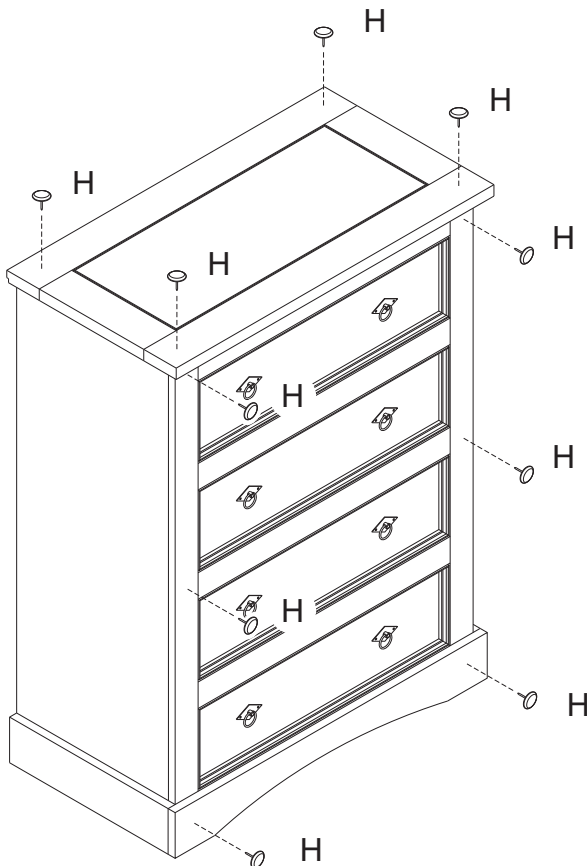
**WARNING**  
 Children have died from furniture tipover. To reduce the risk of furniture tipover:  
 • ALWAYS install tipover restraint provided.  
 • NEVER put a TV on this product.  
 • NEVER allow children to stand, climb or pull on drawers, doors, or shelves.  
 • NEVER use more than one drawer at a time.  
 • Place heavier items in the lowest drawer.  
 This is a permanent label. Do not remove!

The side drawer with **WARNING LABEL**, should be mounted in highest drawer.

Bx16 	Cx32 
Fx8 	Gx8 



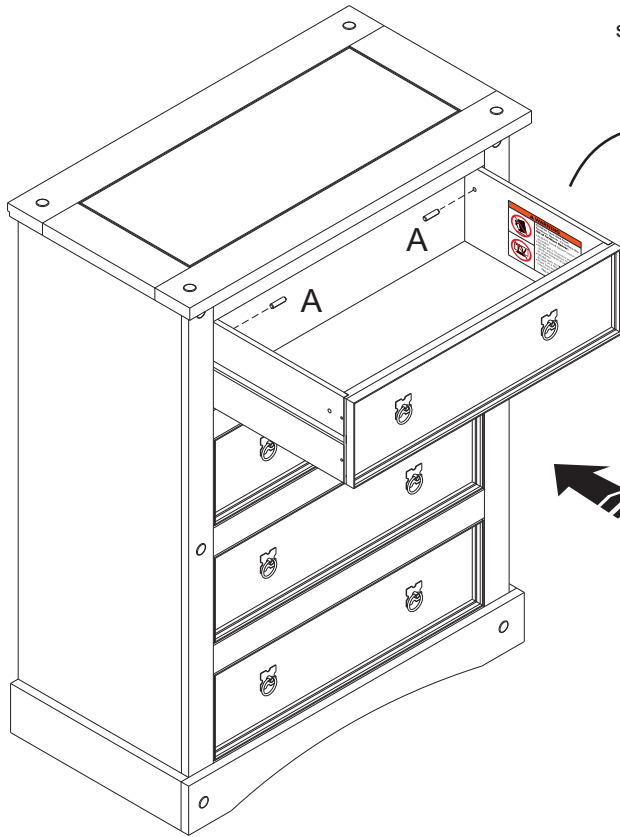
# 12



Hx10



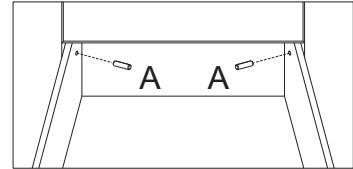
# 13



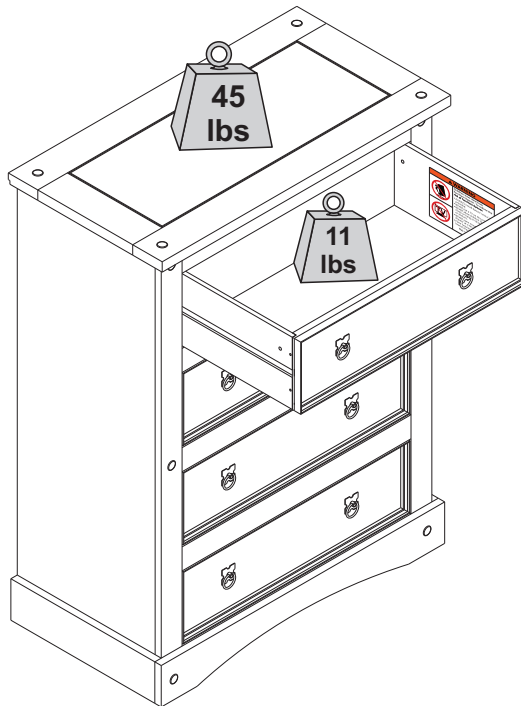
The side drawer with the WARNING LABEL, should be mounted in highest drawer.



Ax8



# 14



## Assembly Complete!

### Maintenance Guide

To maintain long term performance and easy gliding of your solid wood drawers, we recommend applying wax to the wooden guide rails.

1. Bee's wax is recommended or Paraffin wax from a standard candle can be used.
2. Apply the wax by rubbing it on the wooden guide rails where there is wood-on-wood contact when opening and closing the drawer. (Wax should be room temperature, do not melt the wax onto the wood)
3. Wax should be applied every few months for the first year and then only when needed after that to keep the drawers sliding smoothly.