

INSTRUCTION MANUAL ENCLOSED

ATTENTION

IF YOU HAVE ANY PROBLEMS OR QUESTIONS, EMAIL OR CALL CUSTOMER SERVICE BEFORE YOU RETURN THIS PRODUCT TO THE STORE WHERE IT WAS PURCHASED.

For Customer Service:

USA: Email: support@orderhelp.com /Call: 1-877-897-1222

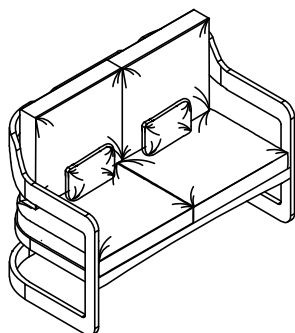
CANADA: Email: sirio@orderhelp.com / www.sirio.ca

Call: 1-866-666-0421

****When emailing Customer Service, please include your **Order Number** and **platform of purchase** in the email subject for quicker assistance.**

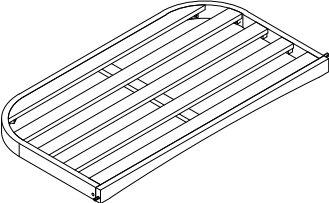
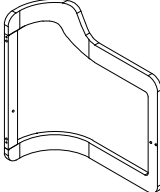
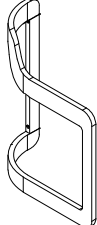
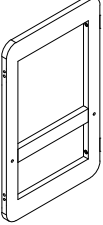
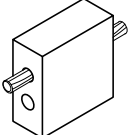
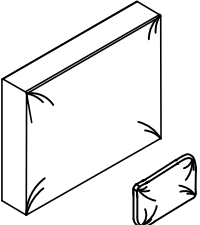
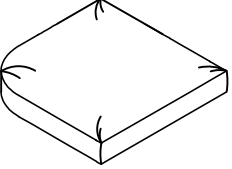
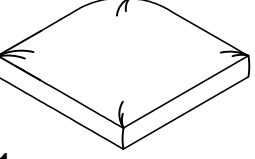
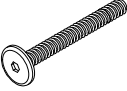


INSTRUCTION MANUAL ENCLOSED

OUTDOOR LOVESEAT MS386 ASSEMBLY INSTRUCTION



PARTS LIST

| Parts | Description | Quantity |
|-------------|---------------------------------------|----------|
| PARTS | | |
| A | Seat Frame | 1 |
| B | Left Frame | 1 |
| C | Right Frame | 1 |
| D | Middle Frame | 1 |
| E | Connect Parts | 4 |
| F | Back Cushion & Pillow | 2 |
| G | Right Seat Cushion | 1 |
| H | Left Seat Cushion | 1 |
| HARDWARE | | |
| I | Bolt $\varnothing 1/4 \times 1-1/2$ " | 6 |
| J | Bolt $\varnothing 1/4 \times 2-3/4$ " | 8 |
| K | Allen Key | 1 |
| SPARE PARTS | | |
| I | Bolt $\varnothing 1/4 \times 1-1/2$ " | 1 |
| J | Bolt $\varnothing 1/4 \times 2-3/4$ " | 1 |
| | Leveler | 1 |

| | | | |
|--|--|---|--|
| <p>A</p>  <p>x1</p> | <p>B</p>  <p>x1</p> | <p>C</p>  <p>x1</p> | |
| <p>D</p>  <p>x1</p> | <p>E</p>  <p>x4</p> | <p>F</p>  <p>x2</p> | <p>G</p>  <p>x1</p> |
| <p>H</p>  <p>x1</p> | <p>I</p>  <p>x6 Ø1/4*1-1/2"</p> | <p>J</p>  <p>x8 Ø1/4*2-3/4"</p> | <p>K</p>  <p>x1</p> |

For Customer Service:

Email: support@orderhelp.com
sirio@orderhelp.com / www.sirio.ca
Call: 1-877-897-1222 / 1-866-666-0421

PLEASE READ AND FOLLOW ALL SAFETY TIPS

GETTING STARTED

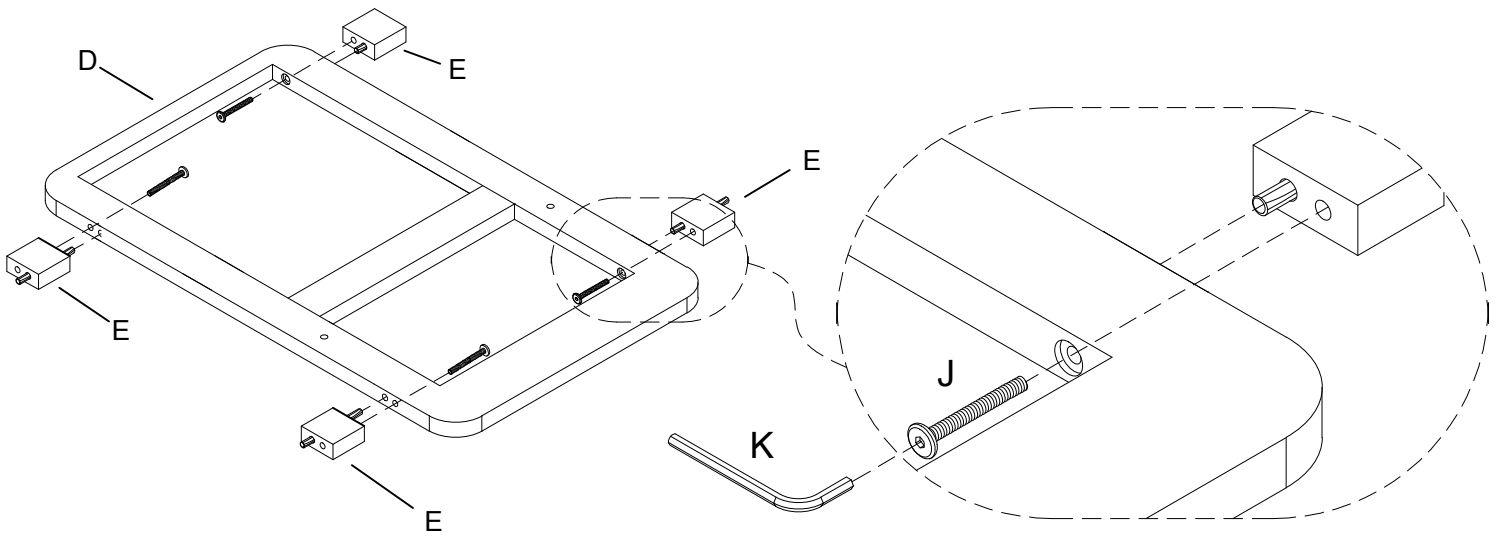
1. Before assembly, CAREFULLY use scissors or utility knife to cut and unwrap all parts. Make sure you do not discard the hardware.
2. Make sure that you have all the parts listed. If you are missing any parts, please email Customer Service: USA: support@orderhelp.com or call 1-877-897-1222. Canada: sirio@orderhelp.com / www.sirio.ca or call 1-866-666-0421. Please identify the parts you need and model number. Make sure to include your name and address.
3. Please include your **Order Number** and **platform of purchase** in the email subject, and one of our customer service representative will get back to you.

Warm Tips:

1. The plastic covers on some metal parts are just for product protection. Please remove it before assembly.
2. Please follow the sequence of A-I during assembly.
3. Do not tighten the screws until all of them are in right positions.

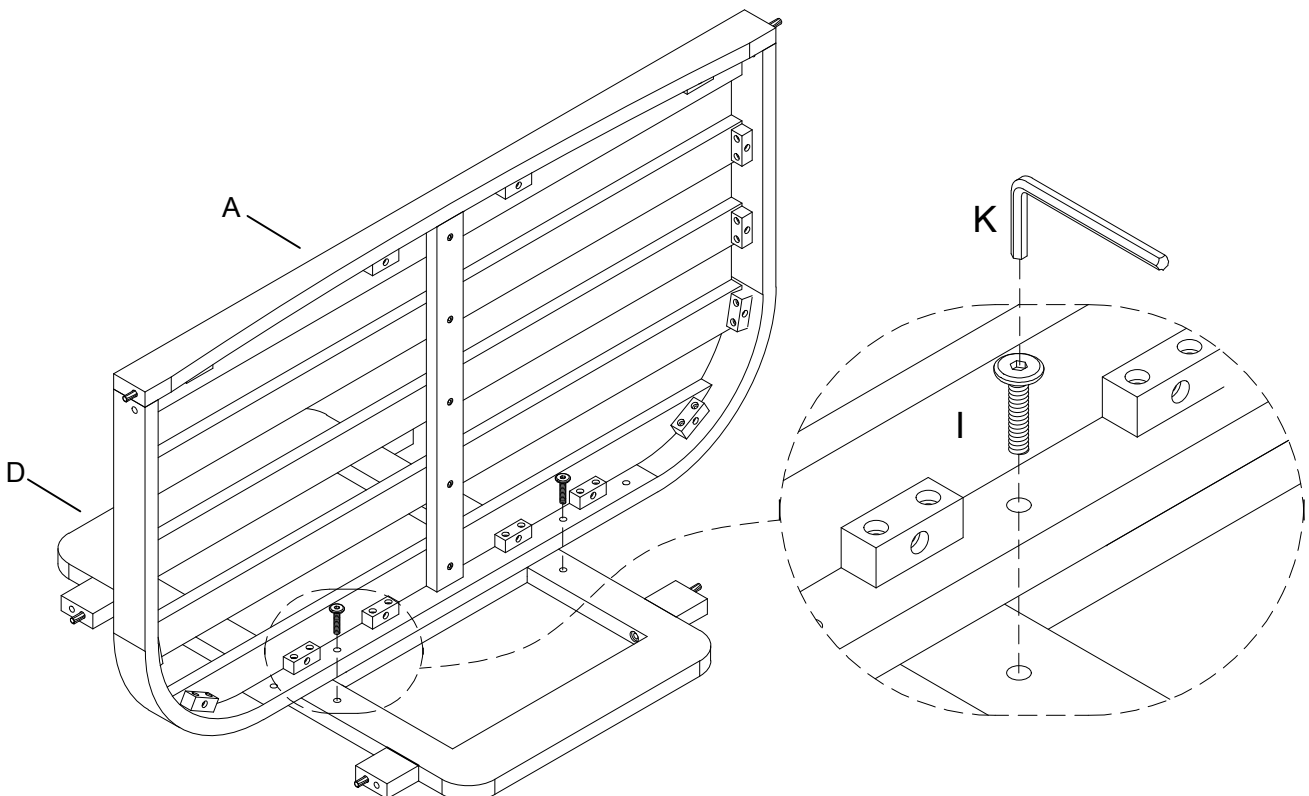
1

Position Middle frame(D) with Connect Parts(E) by the pre-drilled threads. Use Allen Key(K) to fasten Bolts(J) . Middle Frame(D) should have 4 Bolt(J) fastened. (Photo 1)



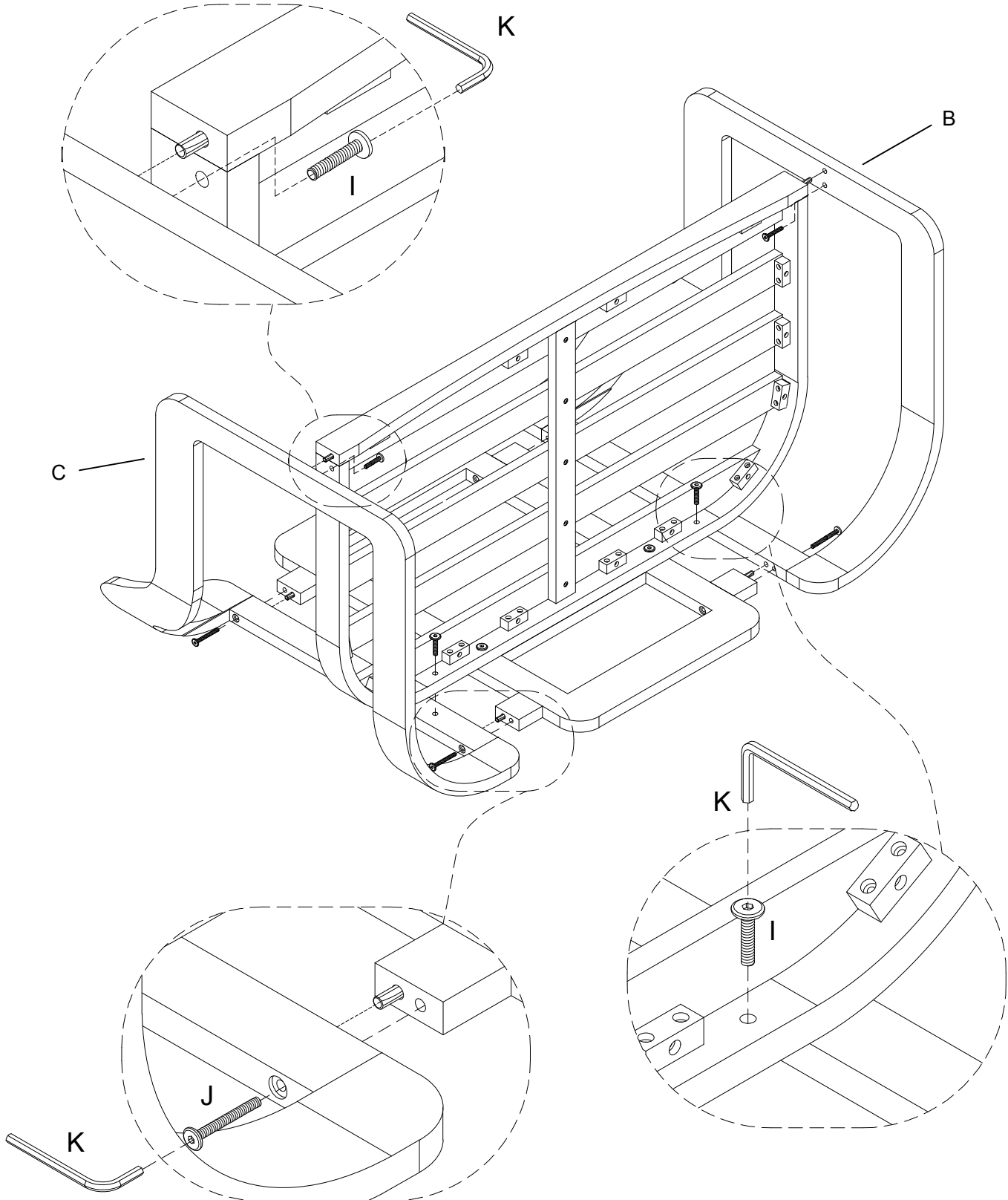
2

Position Seat Frame(A) with Middle Frame(D) by the pre-drilled threads. Use Allen Key(K) to fasten Bolts(I) . Seat Frame(A) should have 2 Bolts(I) fastened. (Photo 2)



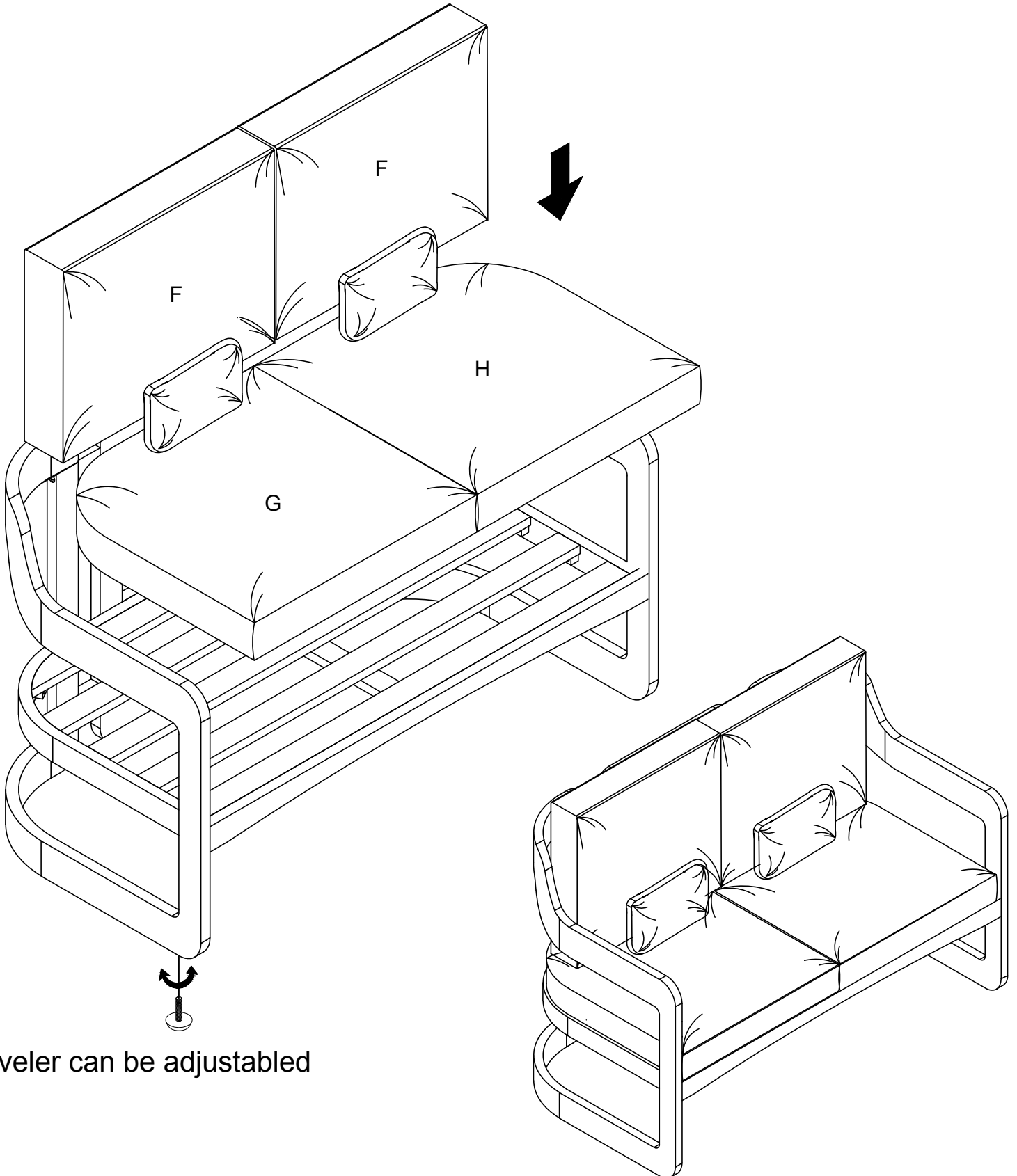
3

Position Left Frame(B), Right Frame(C) to Seat Frame(A) & Middle Frame(D) by the pre-drilled threads. Use Allen Key(K) to fasten Bolts(I) and Bolts(J) . Each Left Frame(B), Right Frame(C) should have 2 Bolts(I) and 2 Bolts(J) fastened. (Photo 3)



4

Place Back Cushion & Pillow(F) and Seat Cushion(G) on the assembled Loveseat as shown.



Leveler can be adjustable

You have completed assembling the furniture - enjoy!