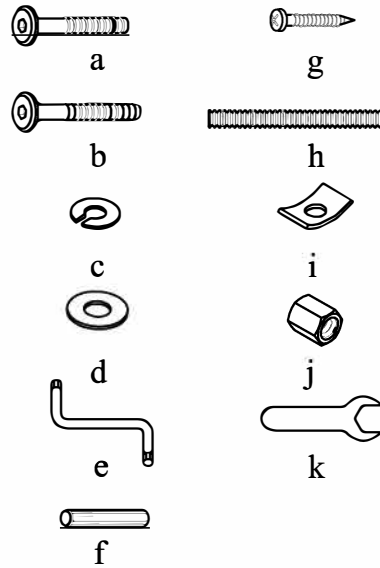


# ASSEMBLY INSTRUCTIONS

## Assembly Instructions

### A. Components :

1. Headboard Panel	1 x
2. Footboard Panel	1 x
3. HB Right Leg	1 x
4. HB Left Leg	1 x
5. Stretcher	1 x
6. Bed Rail	2 x
7. Slat	4 x
8. Slat Support	4 x



### B. Hardware :

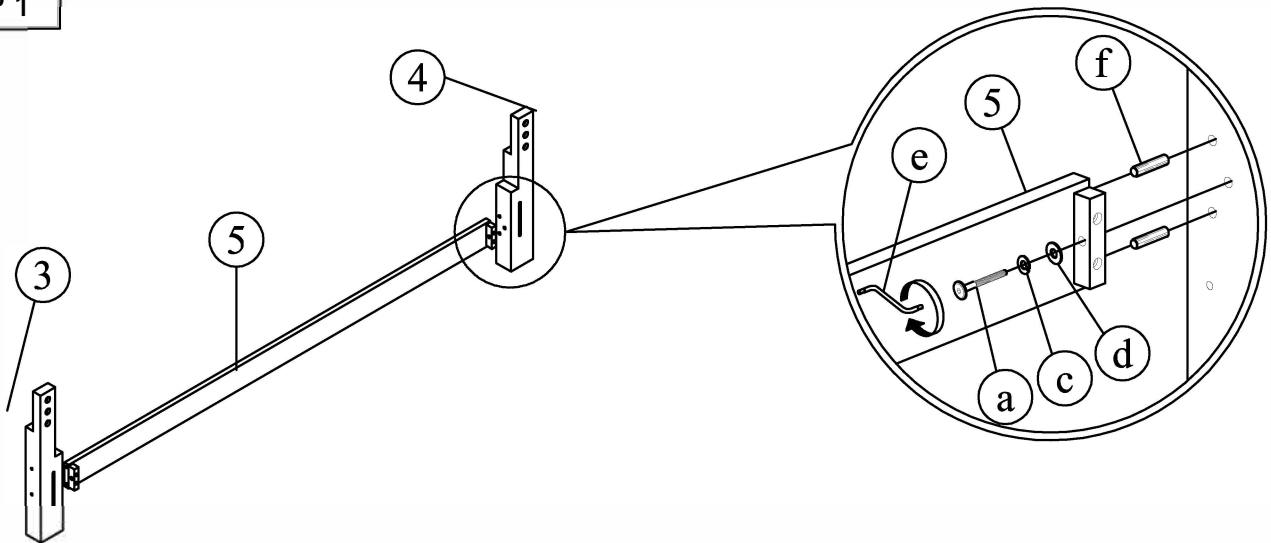
a. Allen Bolt Short	2 x
b. Allen Bolt Long	6 x
c. Lock Washer	8 x
d. Flat Washer	8 x
e. Allen Key	1 x
f. Dowel	4 x
g. Screw	8 x
h. Stud Bolt	8 x
i. Square Washer	8 x
j. Hex Nut	8 x
k. Wrench	1 x

### B. Tool Required :

1. Screw Driver = (not included)



### STEP 1



### STEP 2

