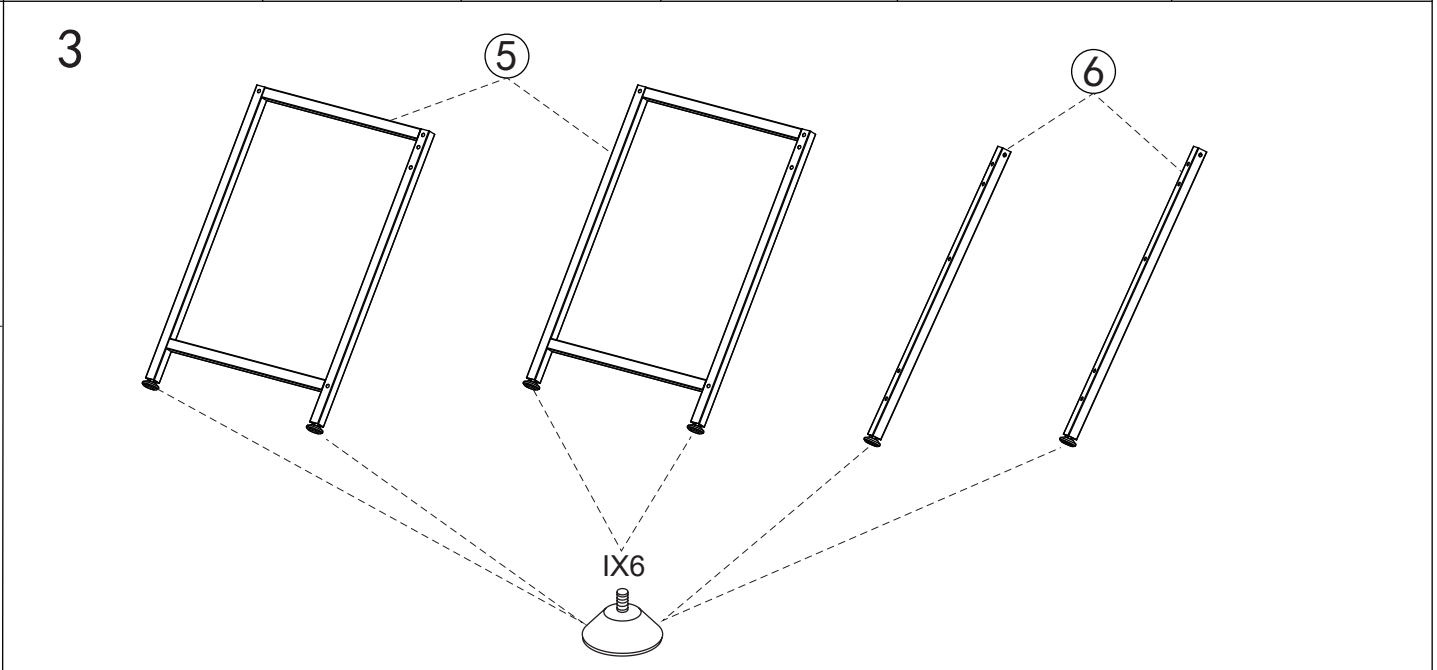
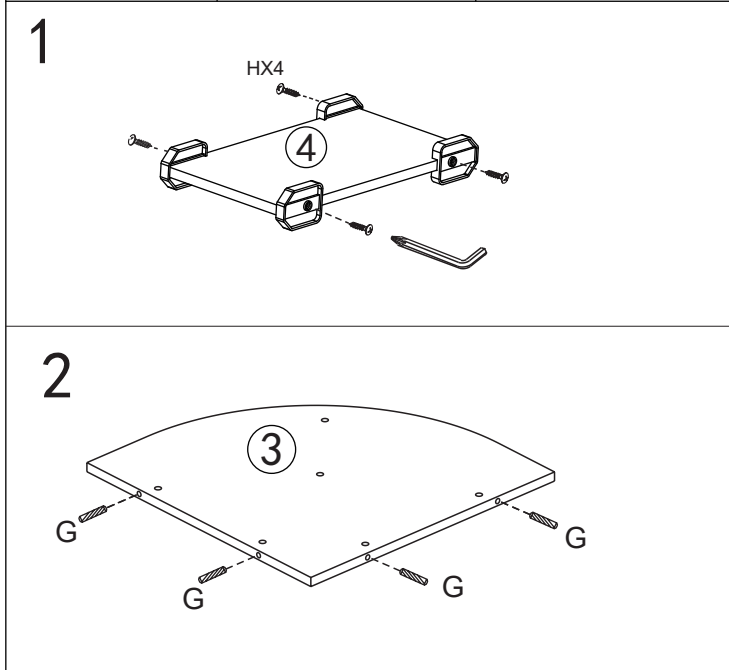


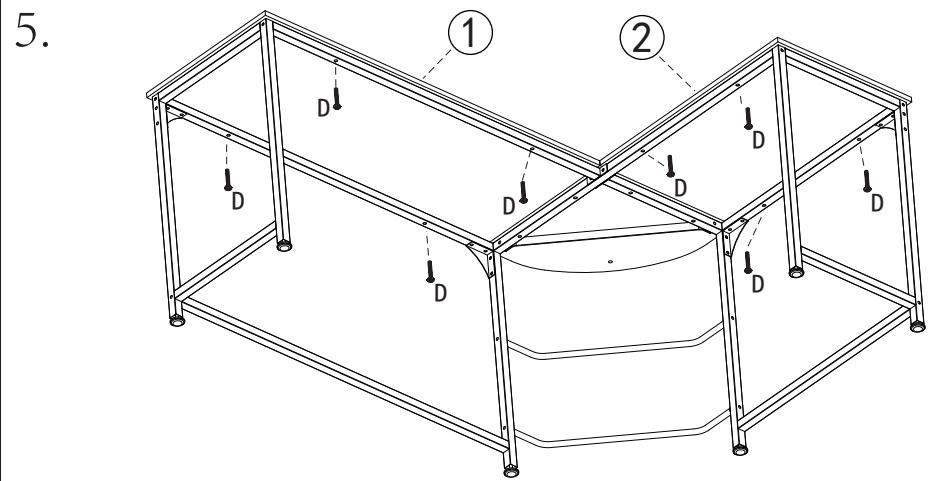
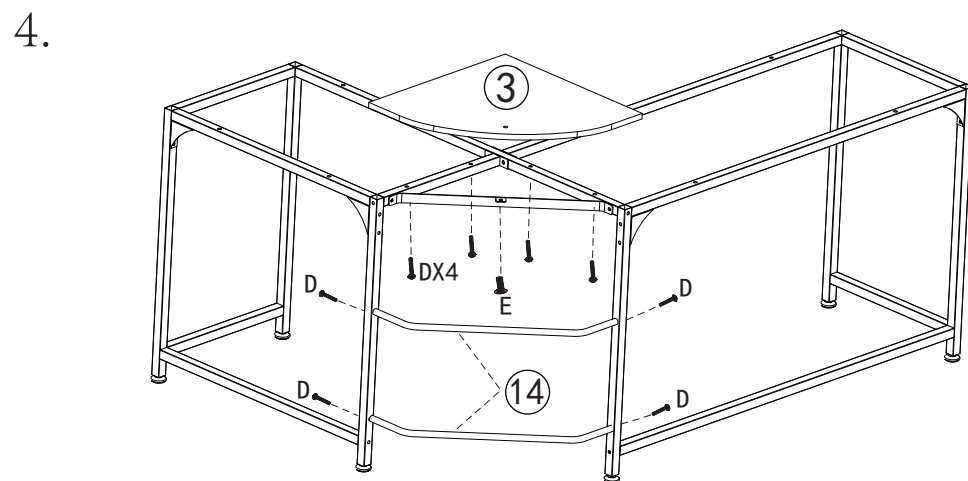
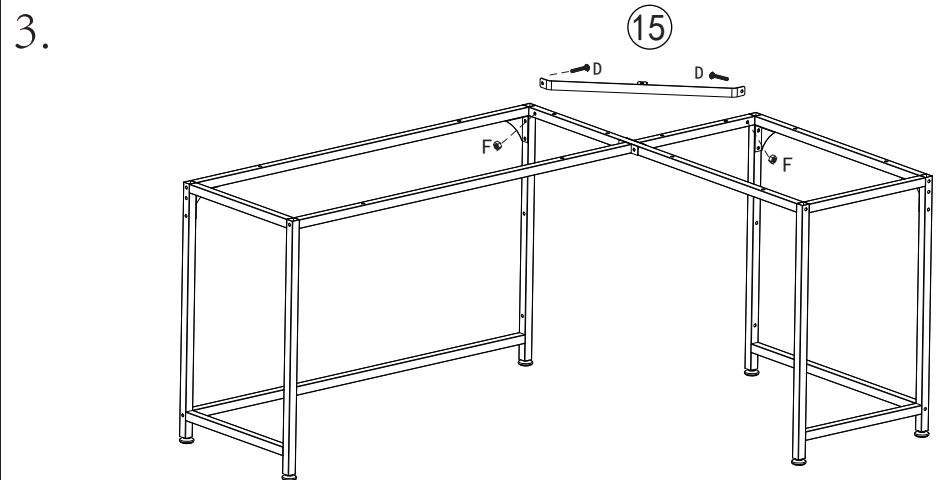
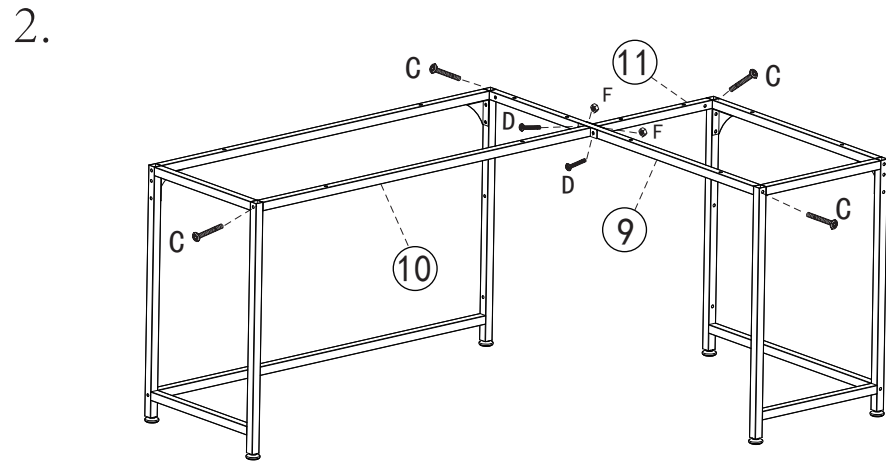
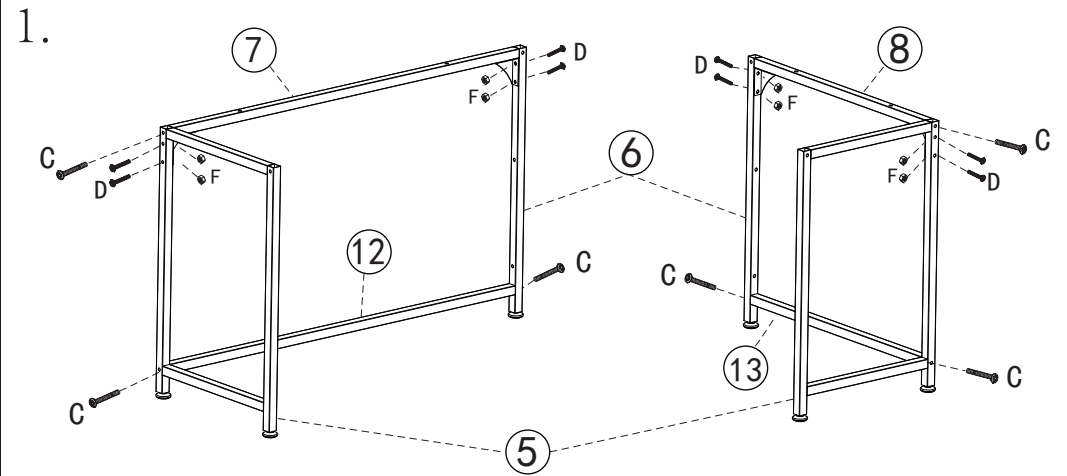
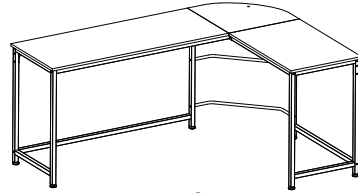
① X1 		② X1 		③ X1 		④ X1 		⑤ X2 		⑥ X2 		⑦ X1 			
⑧ X1 	⑨ X1 		⑩ X1 		⑪ X1 		⑫ X1 		⑬ X1 		⑭ X2 		⑮ X1 		
CX10 M6X45	DX28 M6X35		EX1 M6X10		FX12 M6		GX4 Φ 8x40mm	HX4 ST4X16		IX6 		JX4 		KX1 	



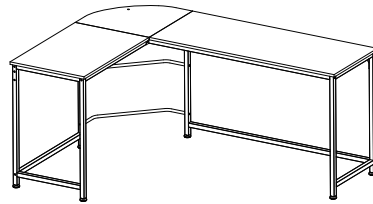
Program A

Installation tips:

- 1, Align the fittings and accessories when installing the frame, then tighten the screws.
- 2, When installing the board, first screw all the screw holes and tighten them.



Program B



Installation tips:

- 1, Align the fittings and accessories when installing the frame, then tighten the screws.
- 2, When installing the board, first screw all the screw holes and tighten them.

