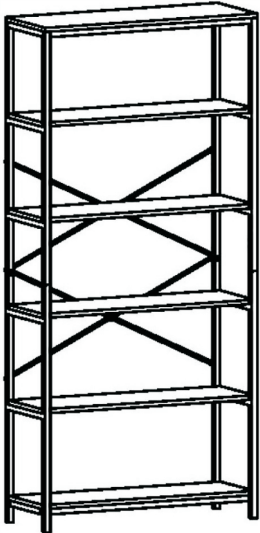
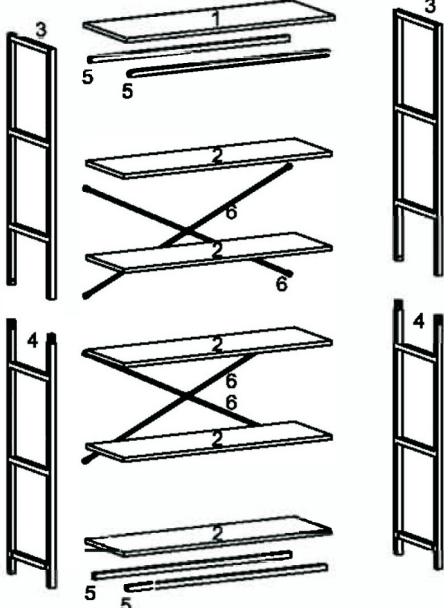


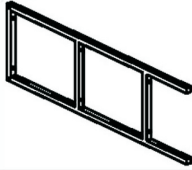
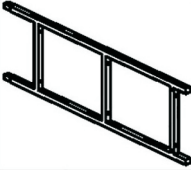









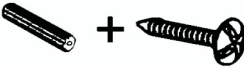

ASSEMBLY INSTRUCTION

The installation is complete	Decomposition of components	Disassembly and installation of accessories
		

Please check the board number and number

<p>1</p>  <p>1 pc</p>	<p>2</p>  <p>5 pcs</p>	<p>3</p>  <p>2 pcs</p>	<p>4</p>  <p>2 pcs</p>
<p>5</p>  <p>4 pcs</p>	<p>6</p>  <p>4 pcs</p>		

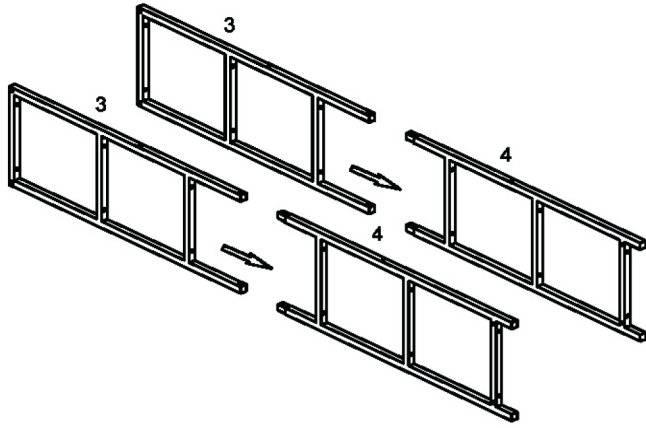
Please check the number and quantity

<p>A</p>  <p>M6*12 10 pcs</p>	<p>B</p>  <p>M6*40 8 pcs</p>	<p>C</p>  <p>M6*30 24 pcs</p>	<p>D</p>  <p>M6 2 pcs</p>	<p>E</p>  <p>M4*12 2 pcs</p>
<p>F</p>  <p>M4*25 2 pcs</p>	<p>G</p>  <p>2 pcs</p>			

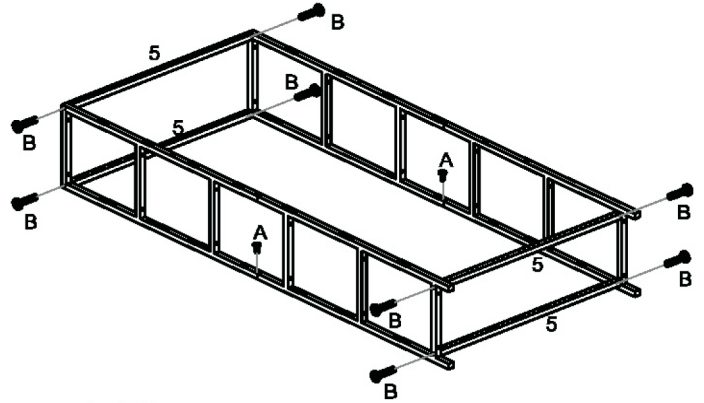
ASSEMBLY INSTRUCTION



Start assembling furniture

STEP 1

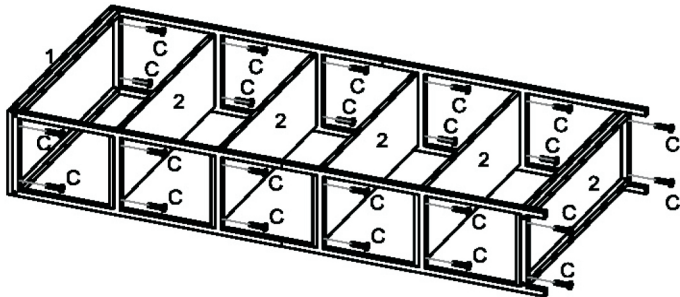



STEP 2



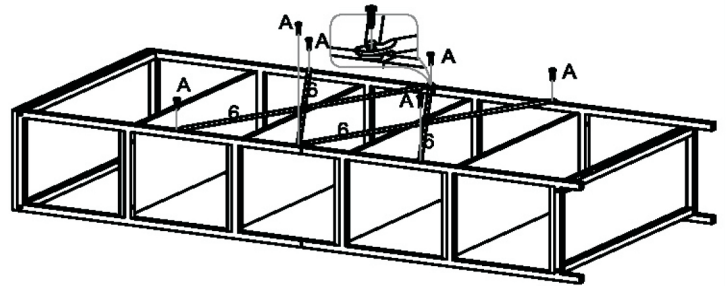
-  A x 2 Pcs
-  B x 8 Pcs

STEP 3



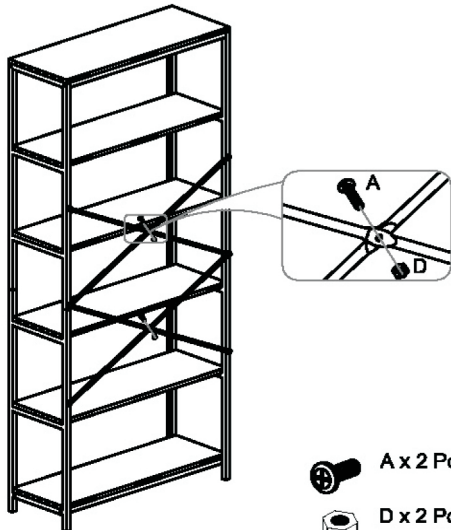
-  C x 24 Pcs

STEP 4



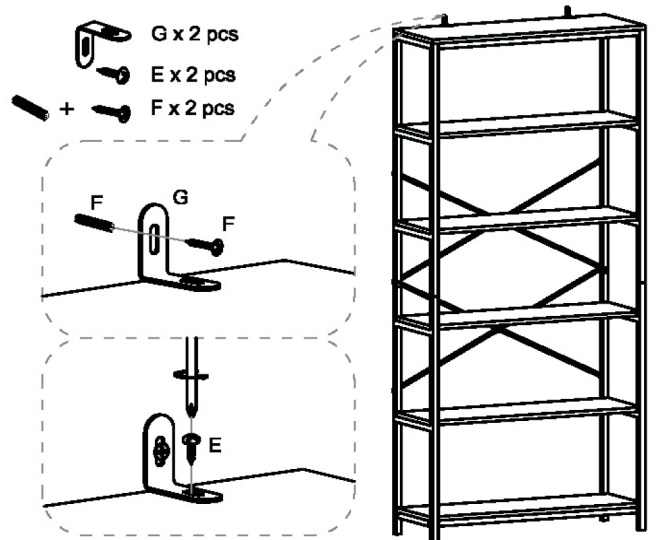
-  A x 6 Pcs


STEP 5



-  A x 2 Pcs
-  D x 2 Pcs

STEP 6



-  G x 2 pcs
-  E x 2 pcs
-  F x 2 pcs