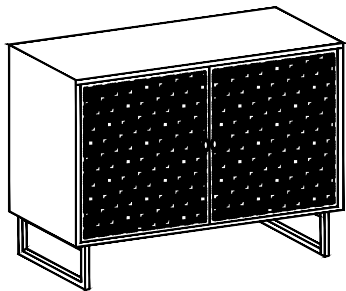
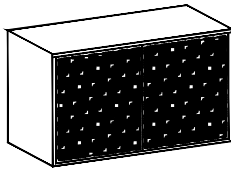


UPT-272530

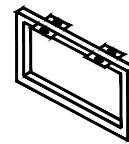


A



TOP - 1 QTY.

B



LEG - 2 QTY.

C



ALLEN BOLT-8 QTY.

D



WASHER-8 QTY.

E



ALLEN KEY - 1 QTY.

F



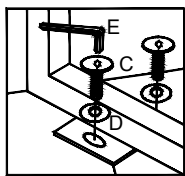
KNOB - 2 QTY.

G

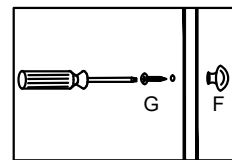
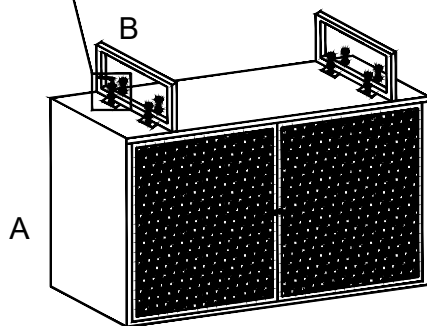


SCREW - 2 QTY.

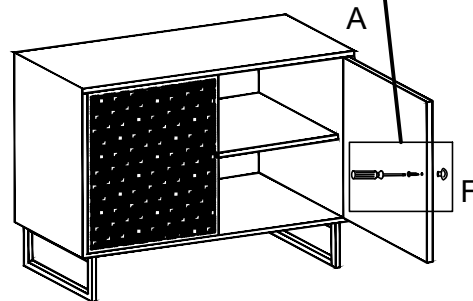
1



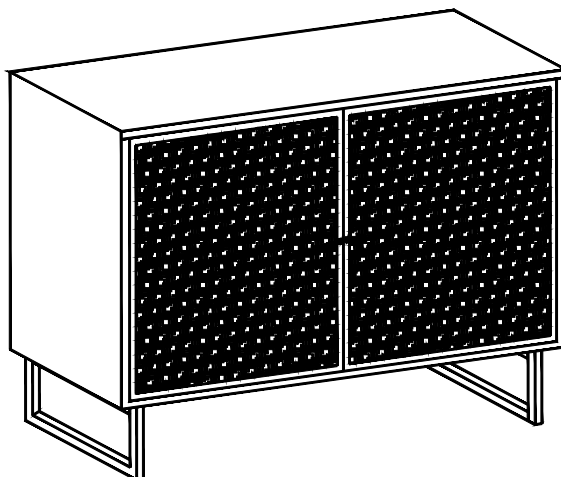
X8



X2



2



FINAL PRODUCT