


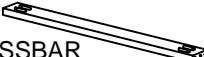






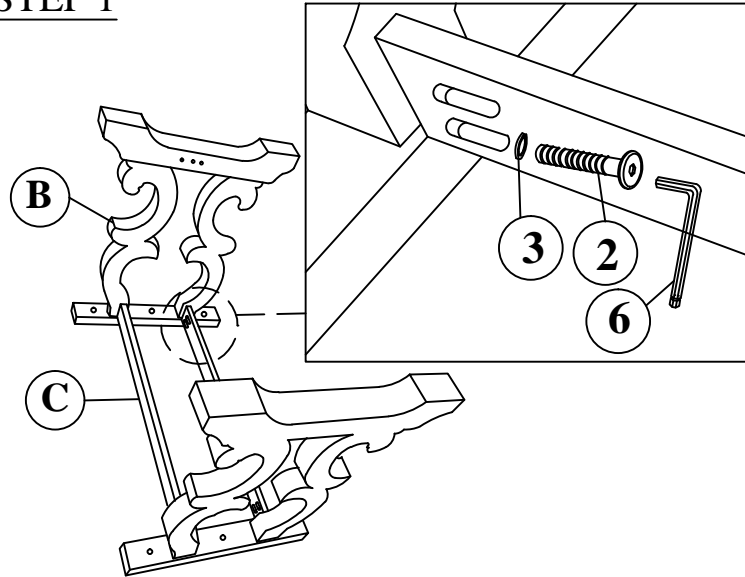


Model : T-864

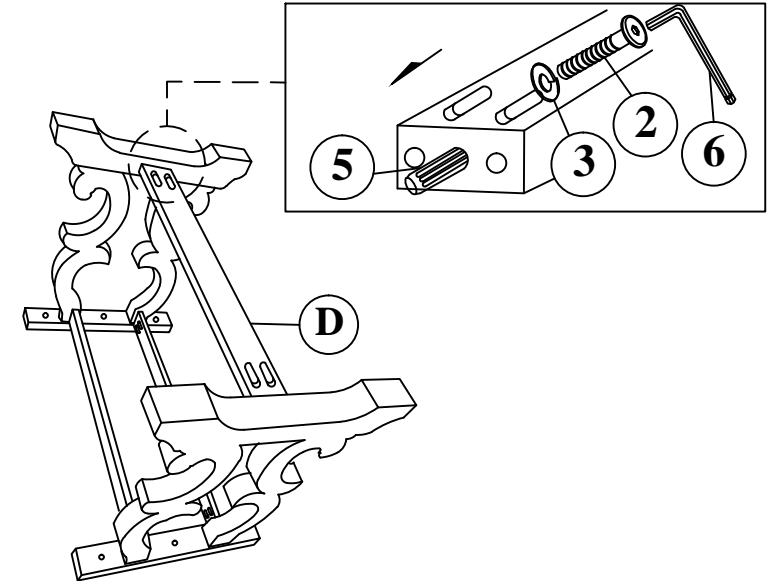
NO	PART LIST	QTY
A	 TABLE TOP	1 PC
B	 TABLE LEG	2 PCS
C	 CENTER RAIL	2 PCS
D	 COSSBAR	1 PC

NO	HARDWARE LIST	QTY
1	 JCBC SCREW M6 x 40MM	6 PCS
2	 JCBC SCREW M6 x 60MM	12 PCS
3	 SPRING WASHER	18 PCS
4	 FLAT WASHER	6 PCS
5	 WOOD DOWEL	2 PCS
6	 M4 ALLEN KEY	1 PC

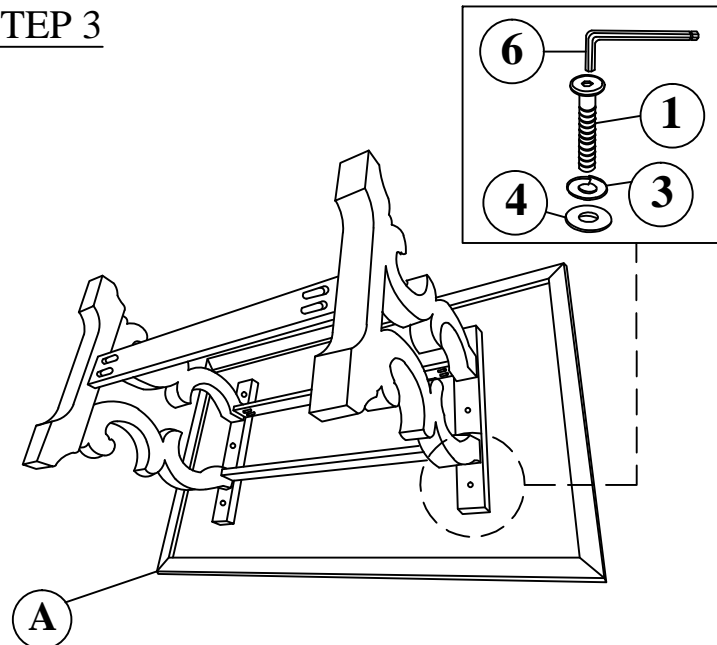
STEP 1



STEP 2



STEP 3



STEP 4

