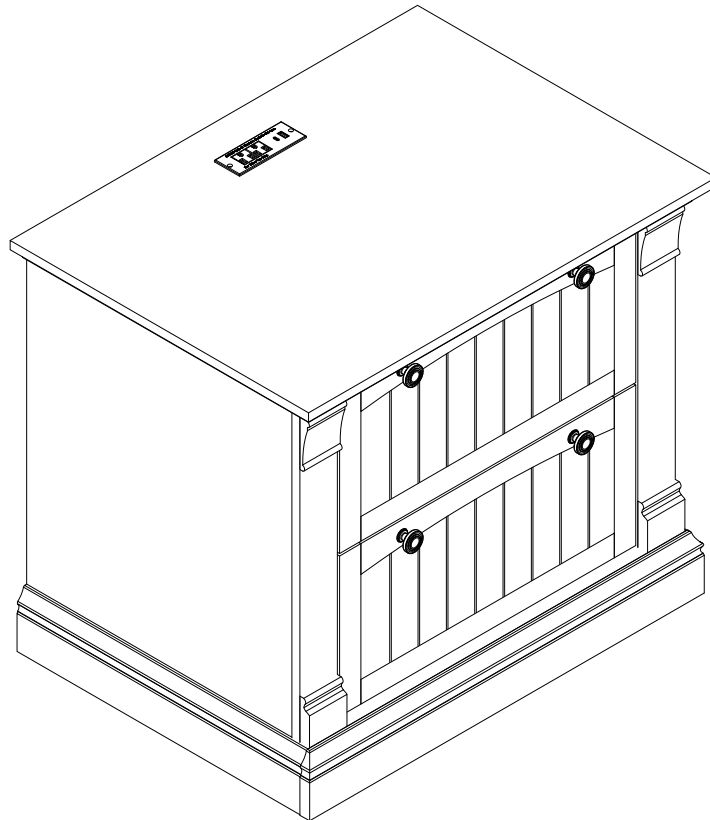
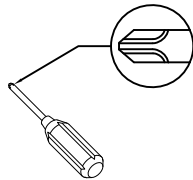


Assembly Instructions

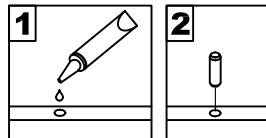


General Assembly Guidelines

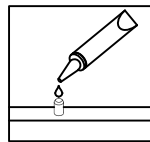
- I. Ensure that all parts and hardware are available before beginning assembly.
- II. Follow each step carefully to ensure the proper assembly of this product.
- III. Two people are recommended for ease in the assembly of this product.
- IV. A Phillips head screwdriver is required for the assembly of this product .



- V. The provided glue is to secure wood dowels in place . When first inserting dowels , locate the appropriate hole for the dowel , place a small amount of glue in the hole and insert the dowel . Wipe away excess glue immediately.

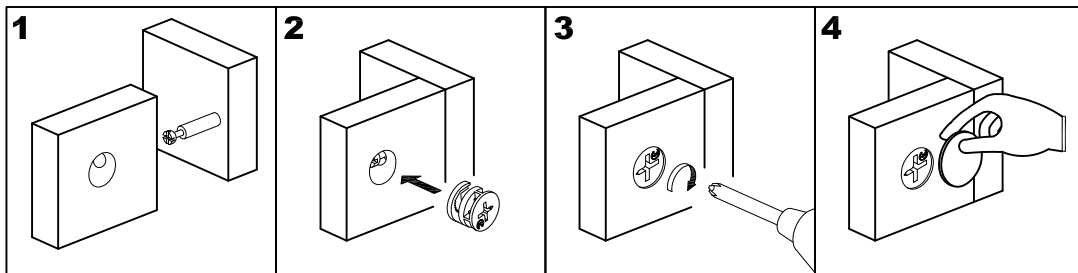


In future assembly steps when dowels are necessary to attach assembly parts together , place a small amount of glue on the end of the dowel before attaching parts together . Wipe away excess glue immediately.

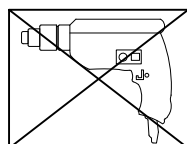


VI HOW THE KNOCK DOWN (KD) ASSEMBLY SYSTEM WORKS

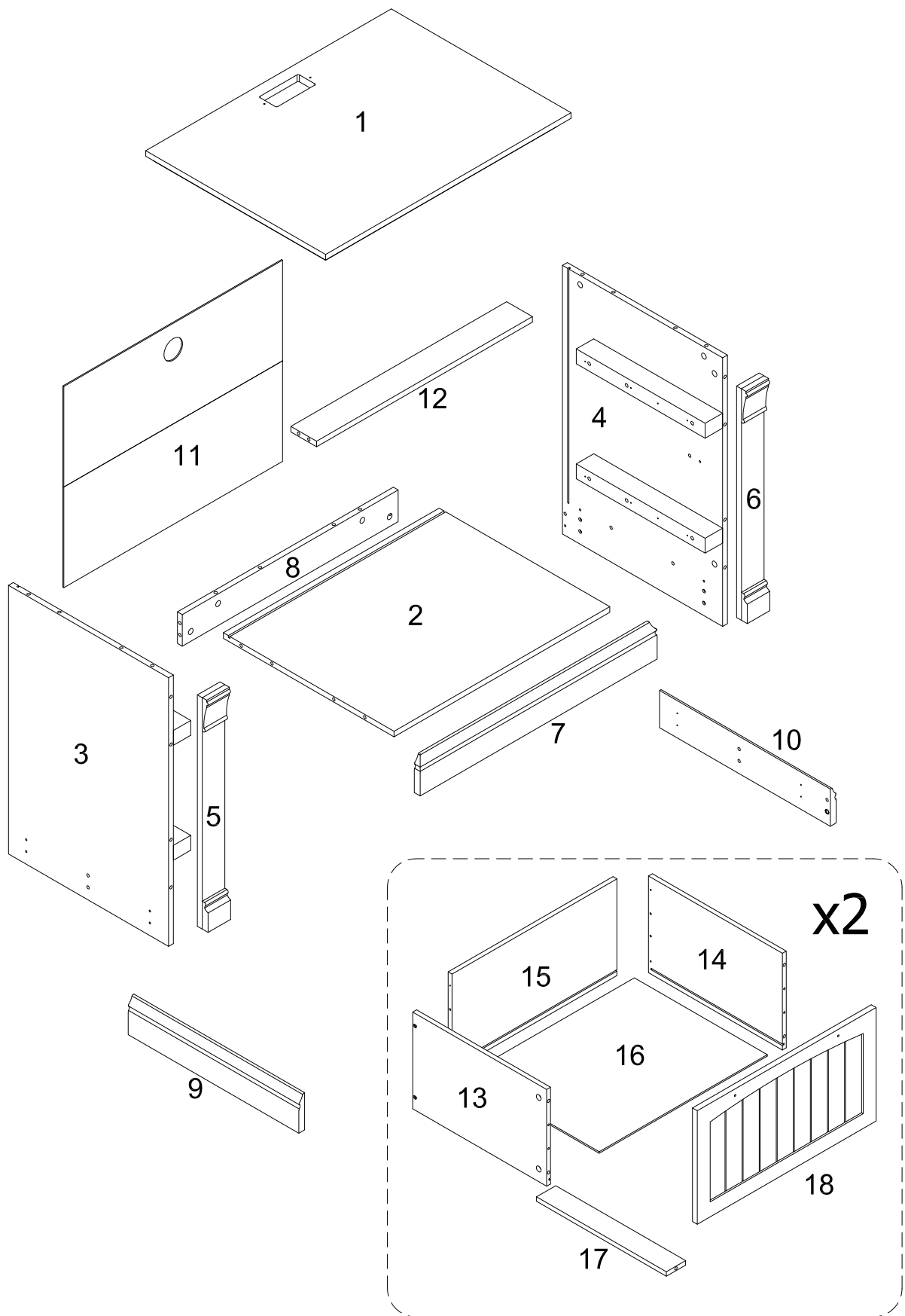
- 1.Screw the Cam Bolt into the pre-drilled hole on the panel. Make sure Cam Bolt goes into the pre-drilled hole on the end of panel for Cam Lock.
- 2.Insert the Cam Lock into the pre-drilled large hole on the panel. Make sure the arrow on the face of Cam Lock points towards Cam Bolt.
- 3.Take a Phillips screwdriver and rotate the Cam Lock clockwise to lock the Cam Bolt.
- 4.Use the sticker to conceal the Cam.




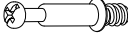


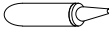






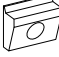




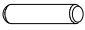
- VII. Power tools should not be used to assemble this product .

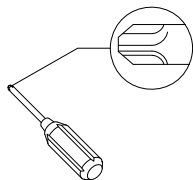


Parts List



Hardware List

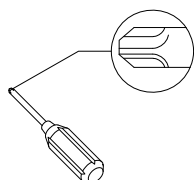
A		Ø8x30mm	Large Dowel	18 pcs
B		Ø6x35mm	Cam bolt	28 pcs
C		Ø15x11mm	Large Cam lock	18 pcs
D		Ø30mm	Cam cover	28 pcs
E			Glue tube	1 pc
F		M 4	Allen Wrench	1 pc
G			Knob	4 pcs
H		Ø5/32"x19mm	Bolt	4 pcs
J		L57*20*20mm	Connector	4 pcs
K		1/4"*12mm	Bolt	8 pcs
L		Ø4*25mm	Screw	8 pcs
M		16*16.5*10.5mm	Plastic wedge	12 pcs
N		Ø3*17mm	Screw	12 pcs
O		Ø4*32mm	Screw	12 pcs
P		Ø3x12mm	Screw	28 pcs
Q		16" *35mm	Drawer Slider	2 sets
R		Ø6x30mm	Small Dowel	16 pcs



Philips head screwdriver required for assembly
(not included)

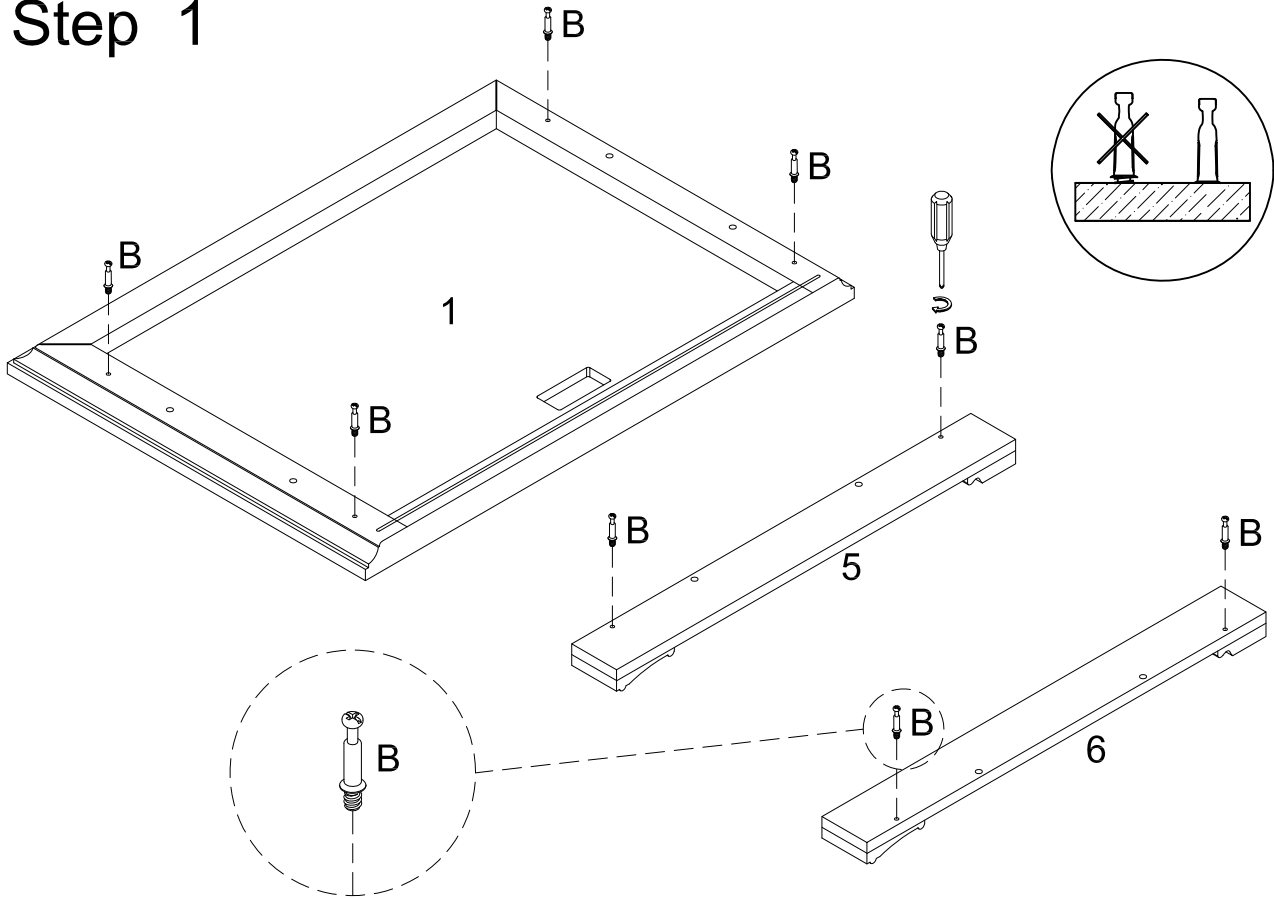
Hardware List

S		Ø15x9mm	Small Cam lock	10 pcs
T		Ø8x20mm	Medium dowel	4 pcs
U		Ø3*12mm	Screw	2 pcs
V			USB Interface	1 set
W			Tipping Restraint Hardware	1 set

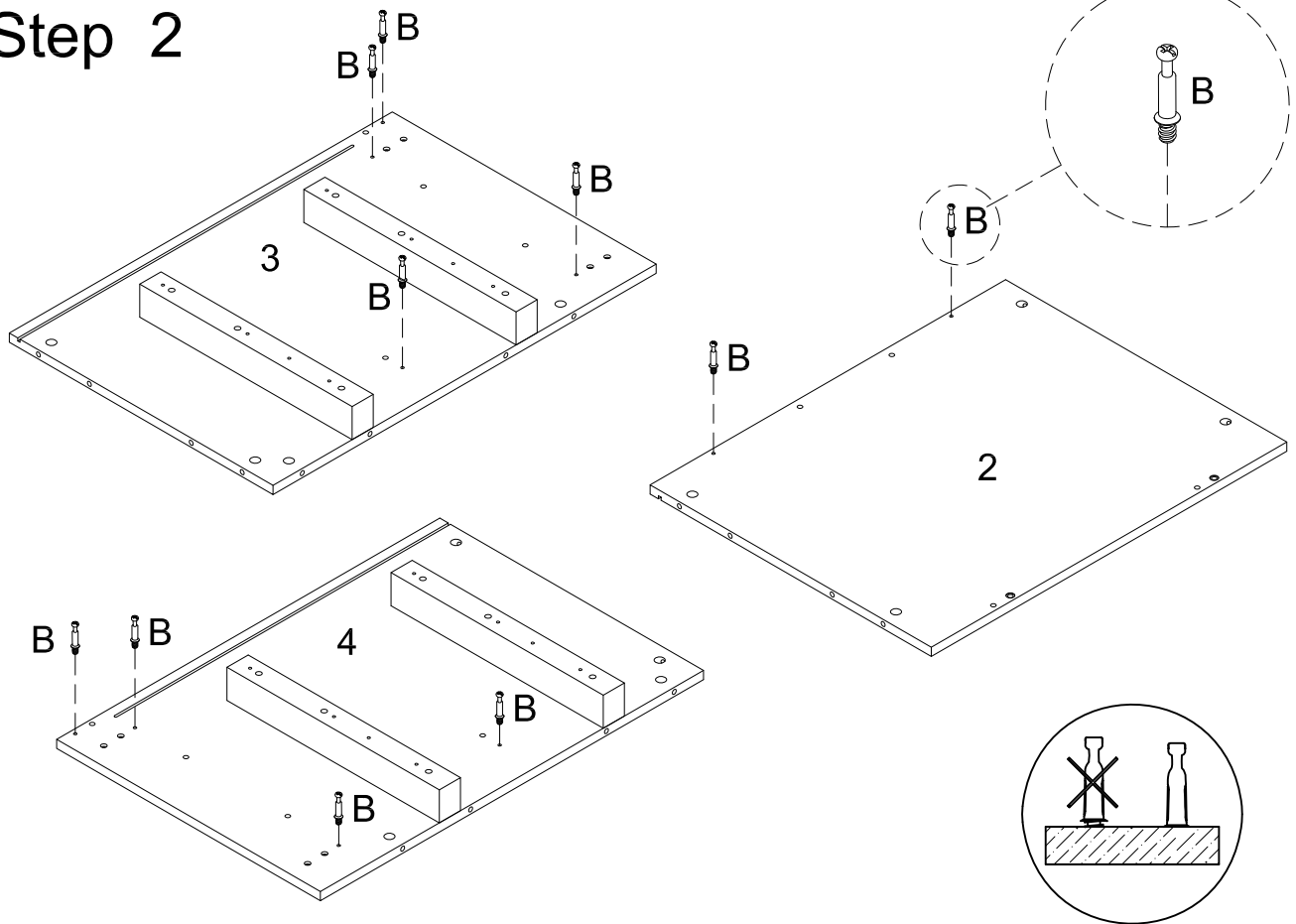


Philips head screwdriver required for assembly
(not included)

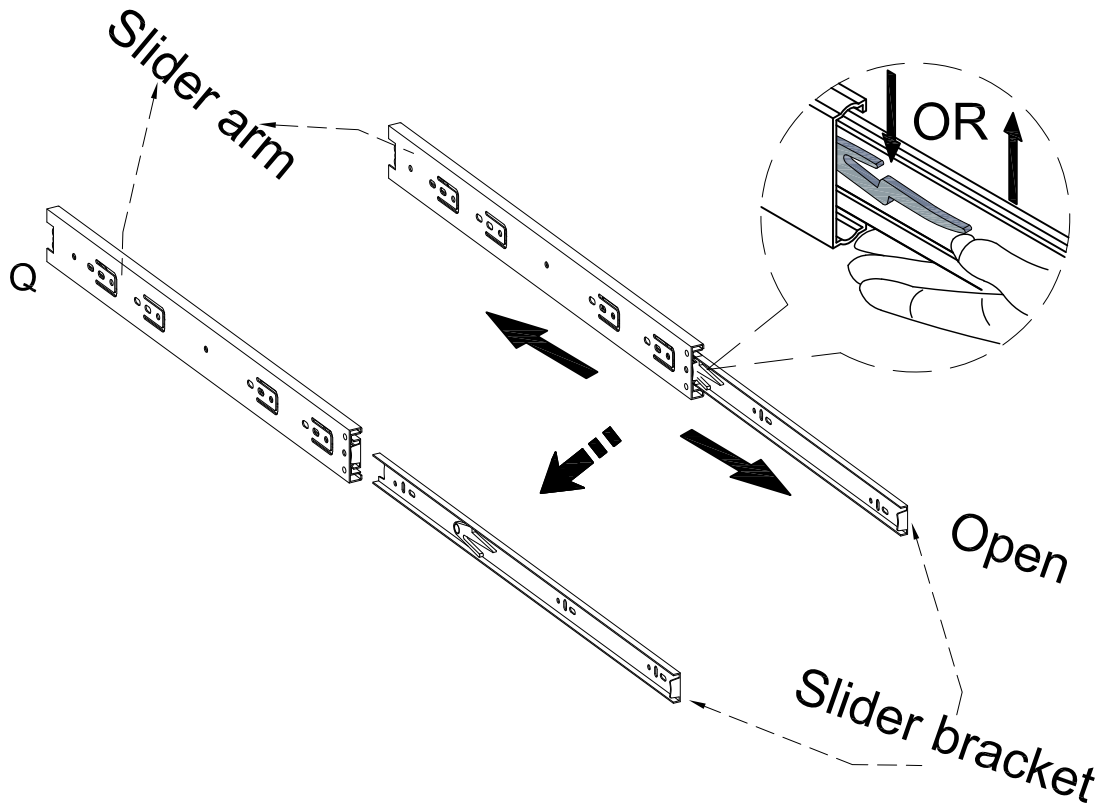
Step 1



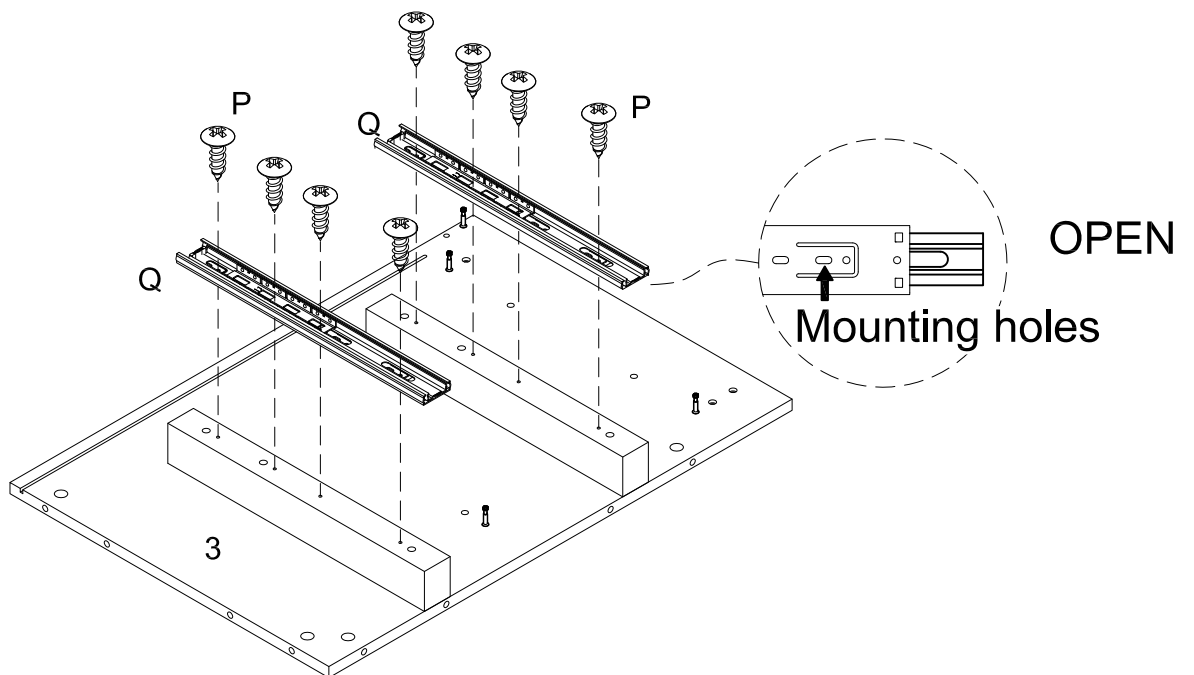
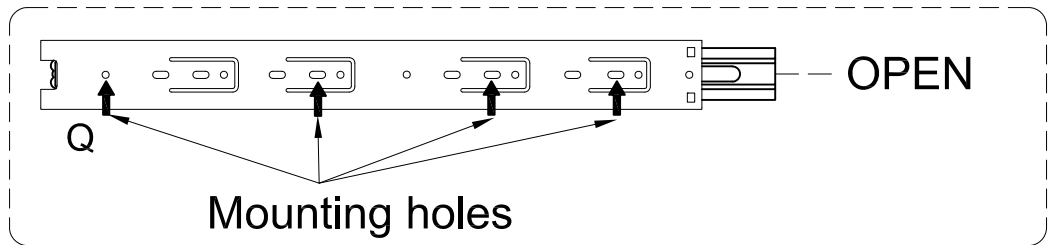
Step 2



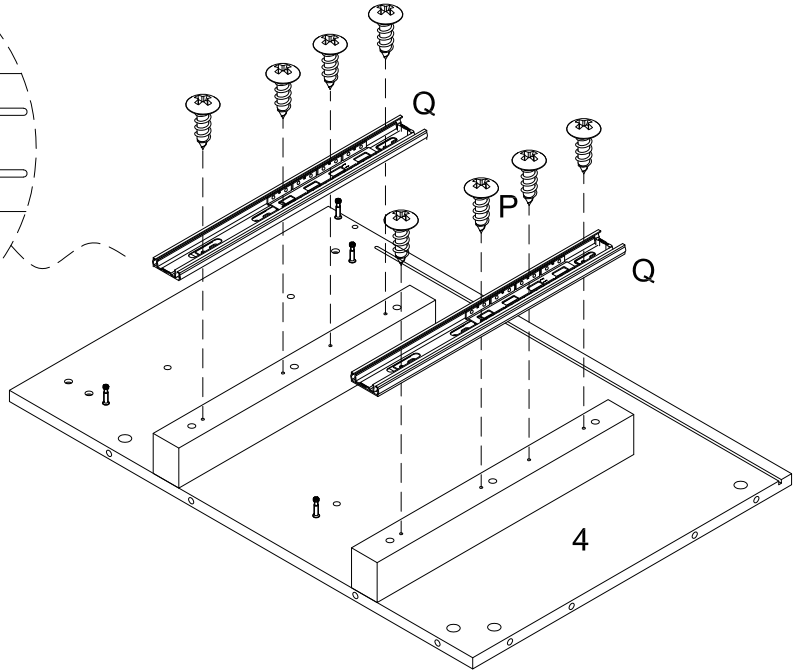
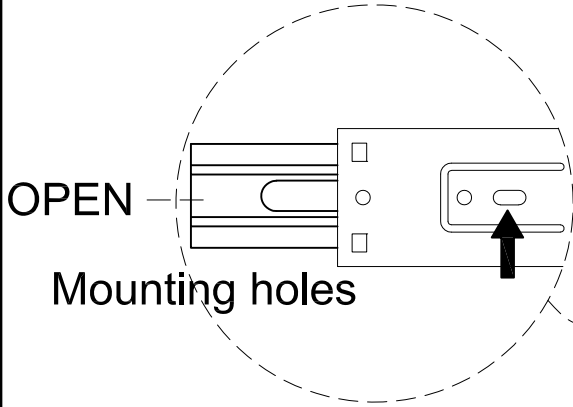
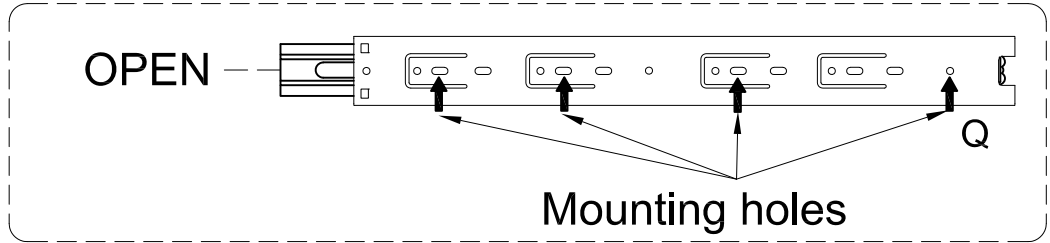
Step 3



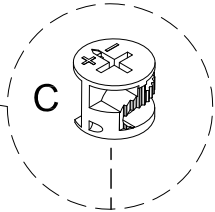
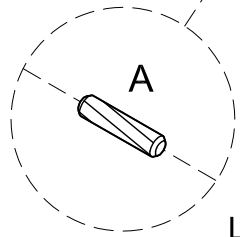
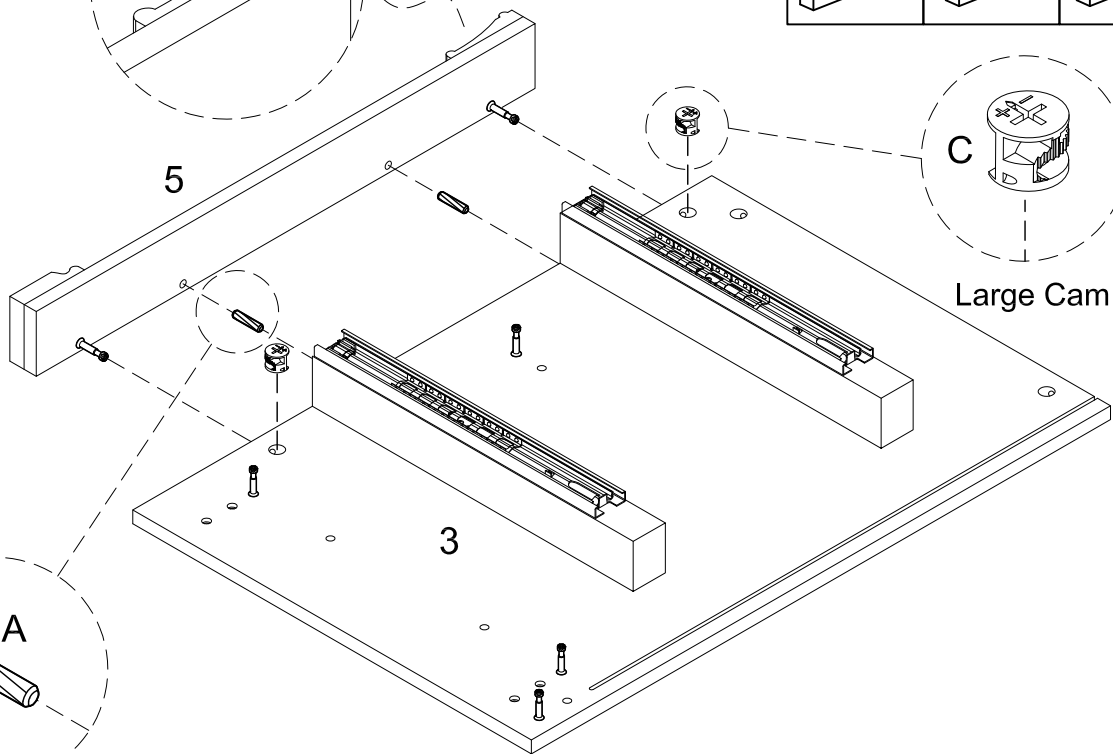
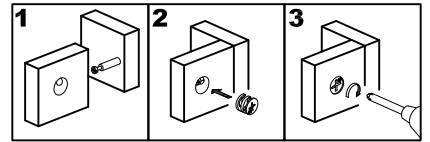
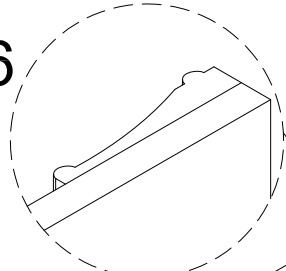
Step 4



Step 5



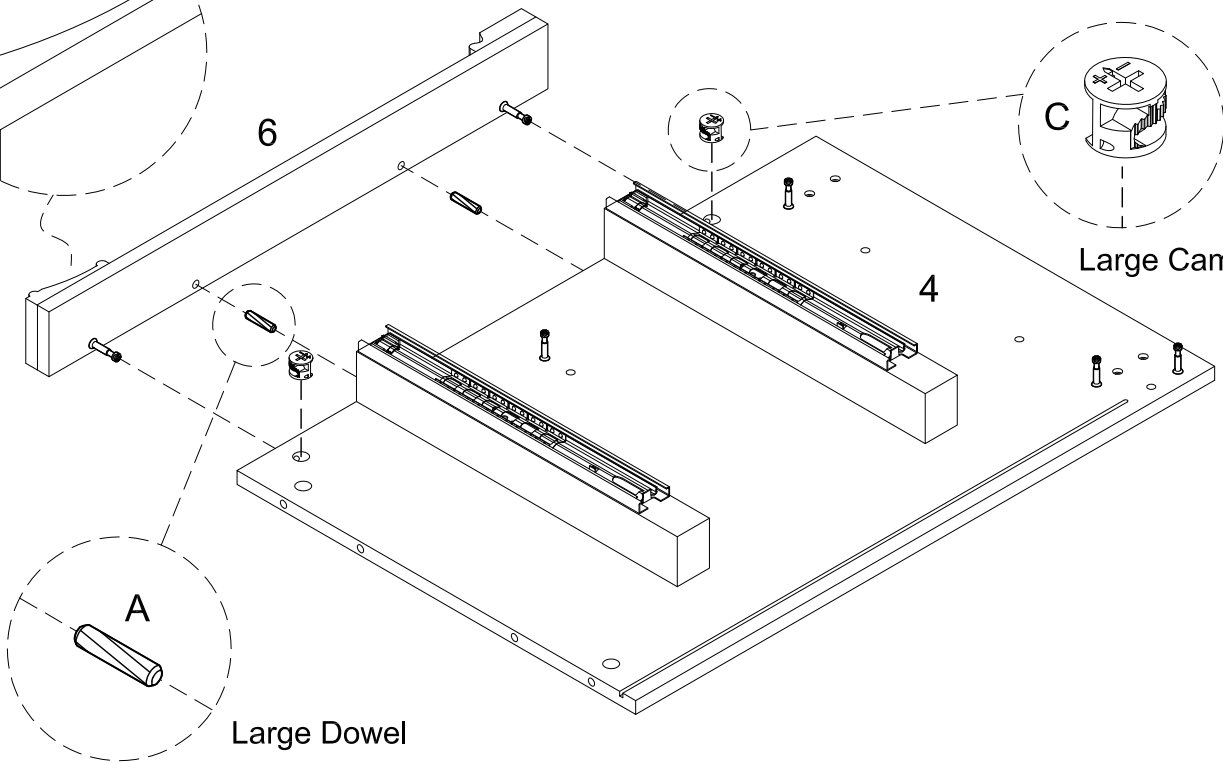
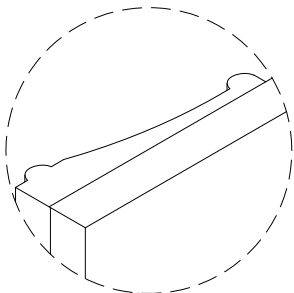
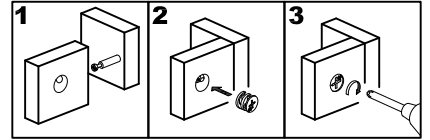
Step 6



Large Dowel

Large Cam lock

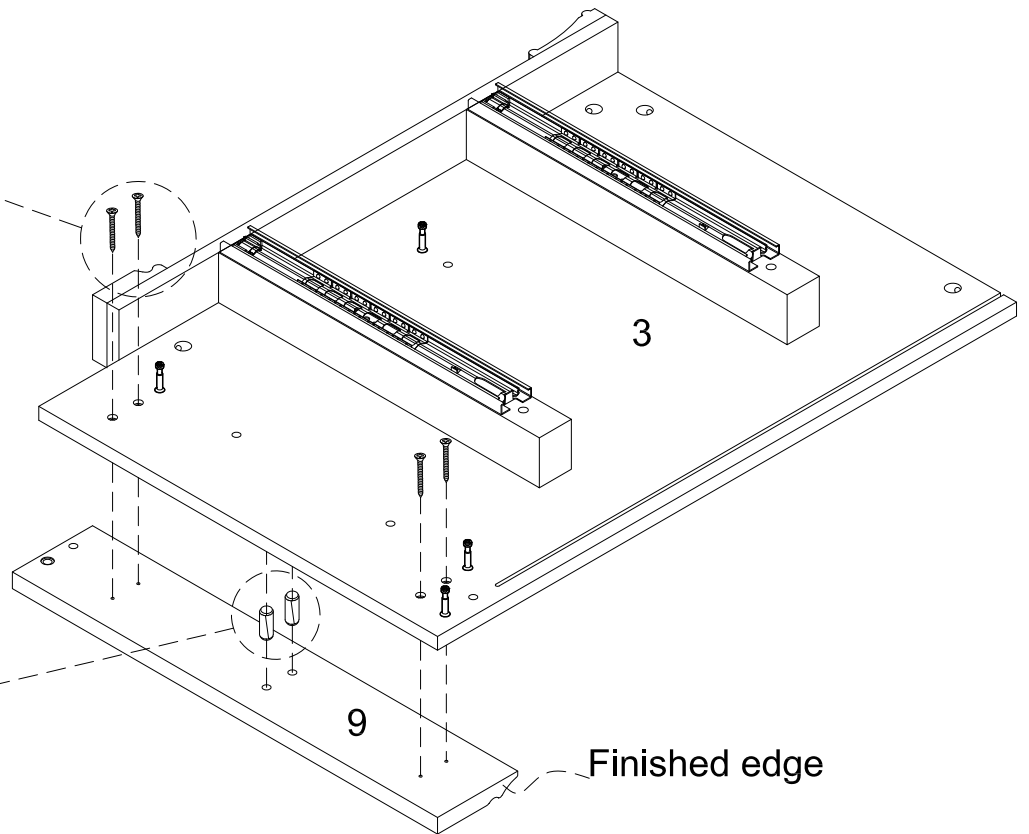
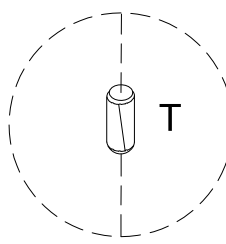
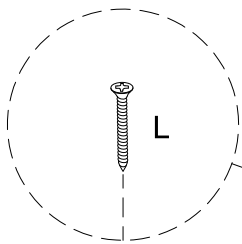
Step 7



Large Cam lock

Large Dowel

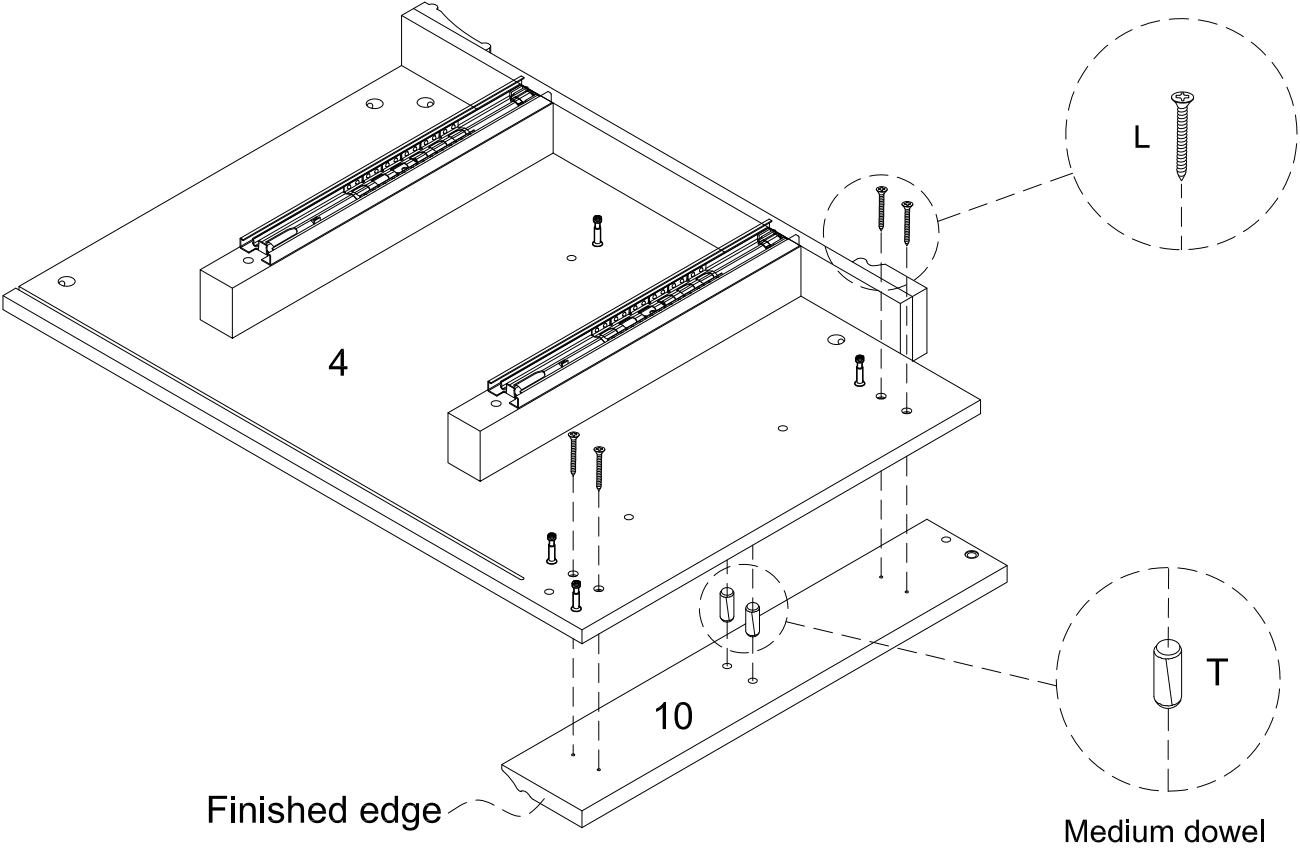
Step 8



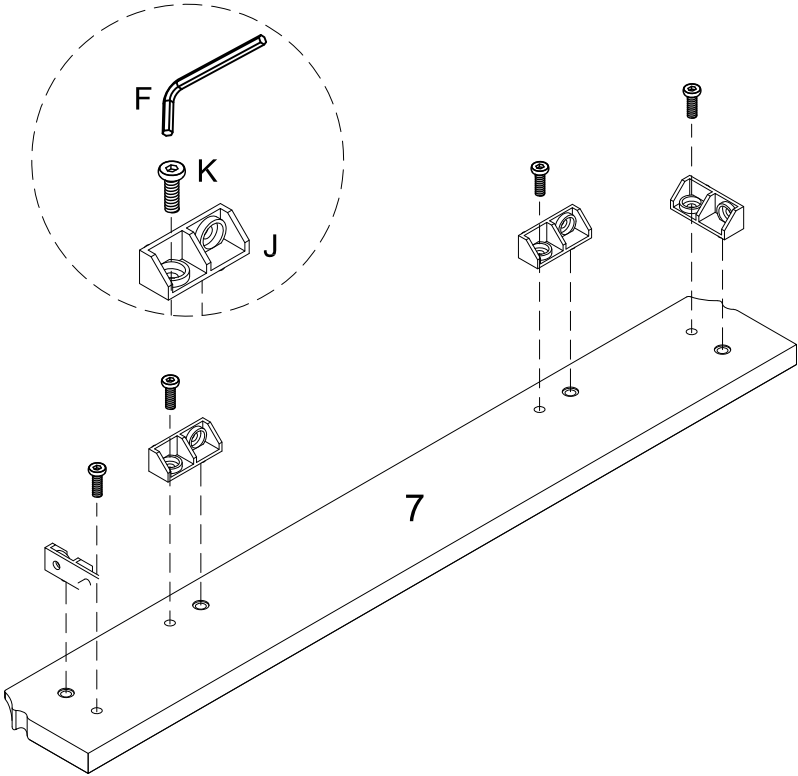
Finished edge

Medium dowel

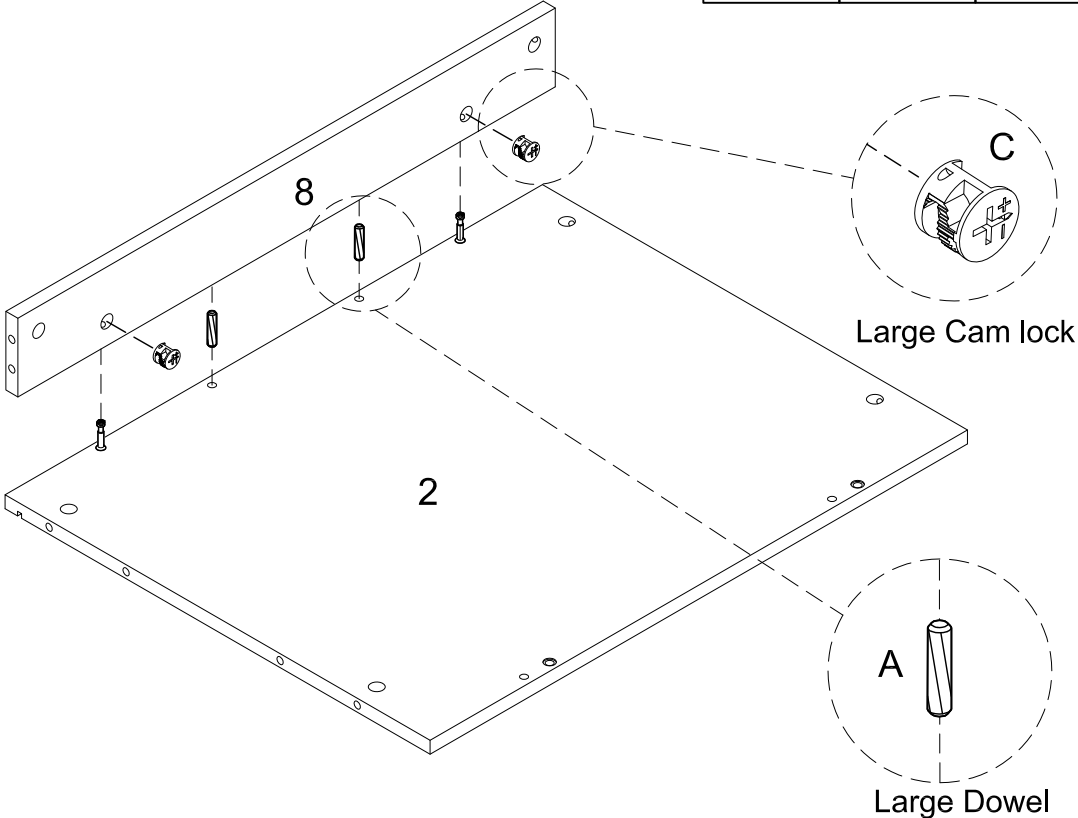
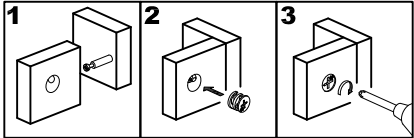
Step 9



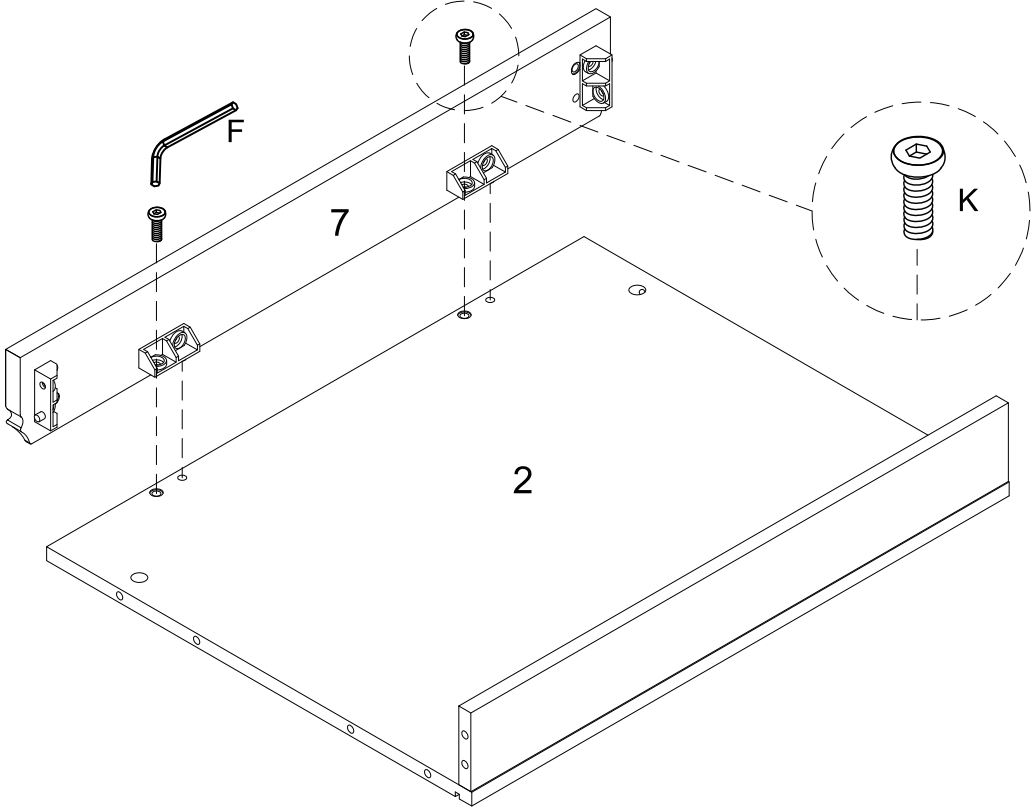
Step 10



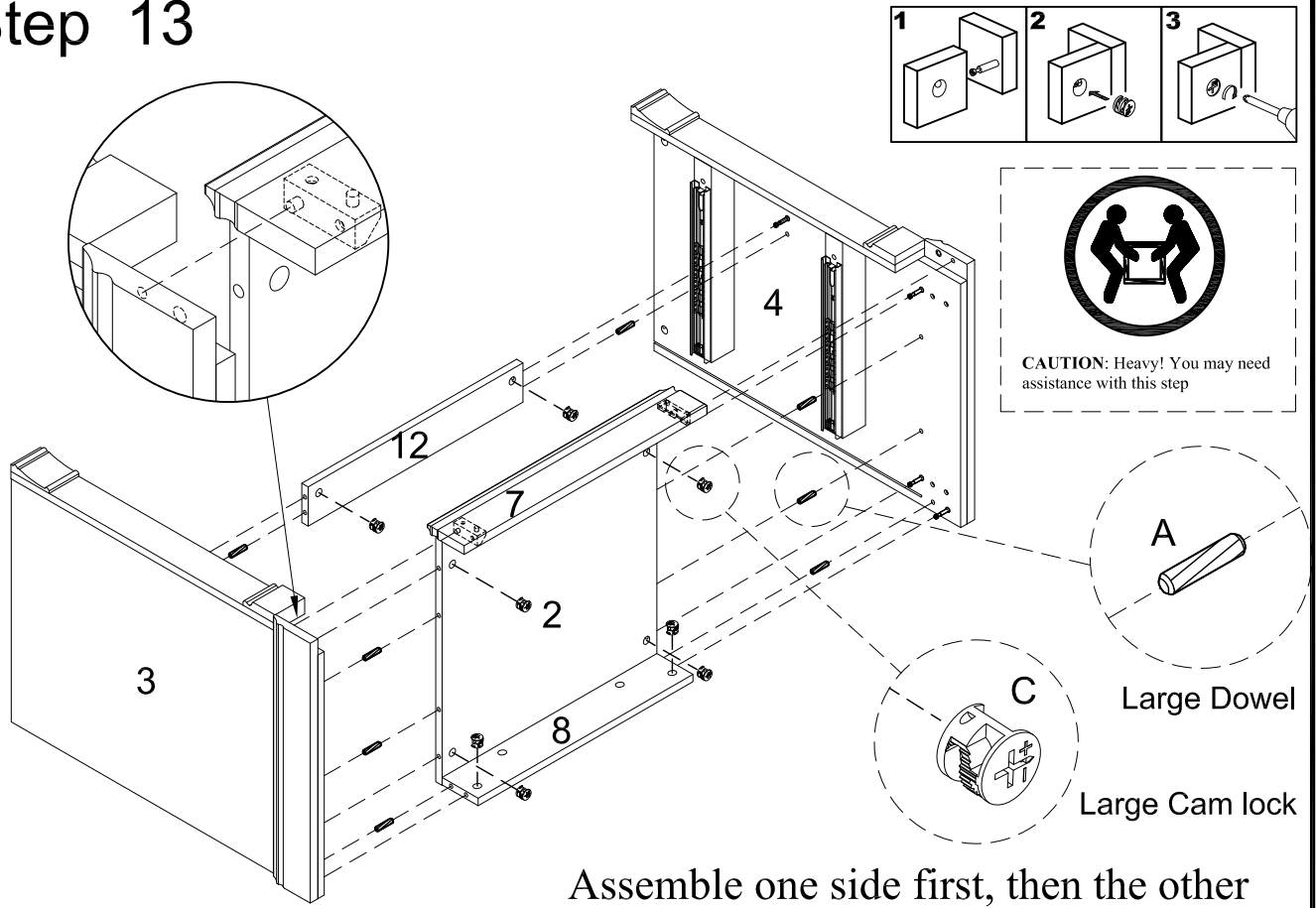
Step 11



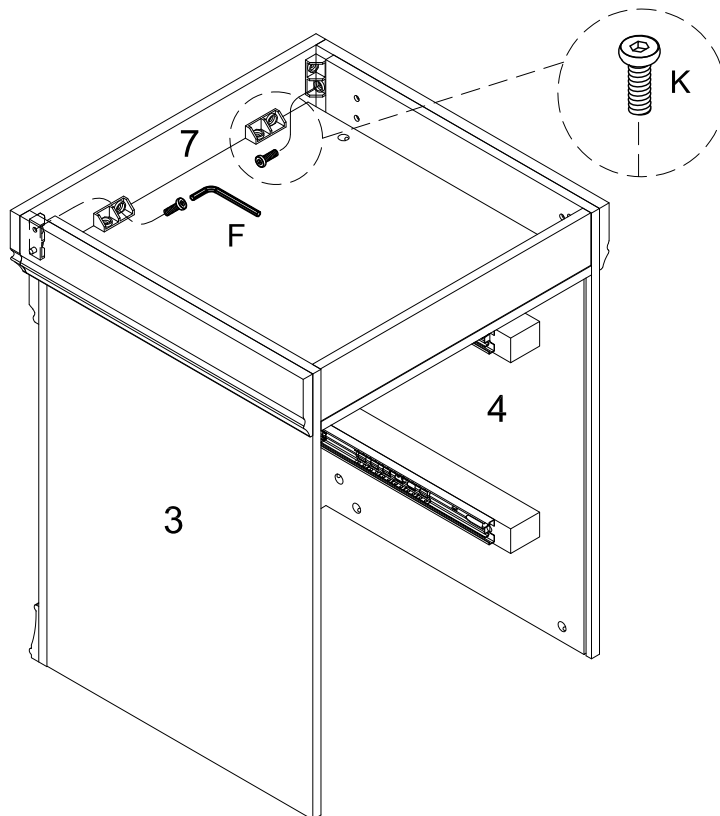
Step 12



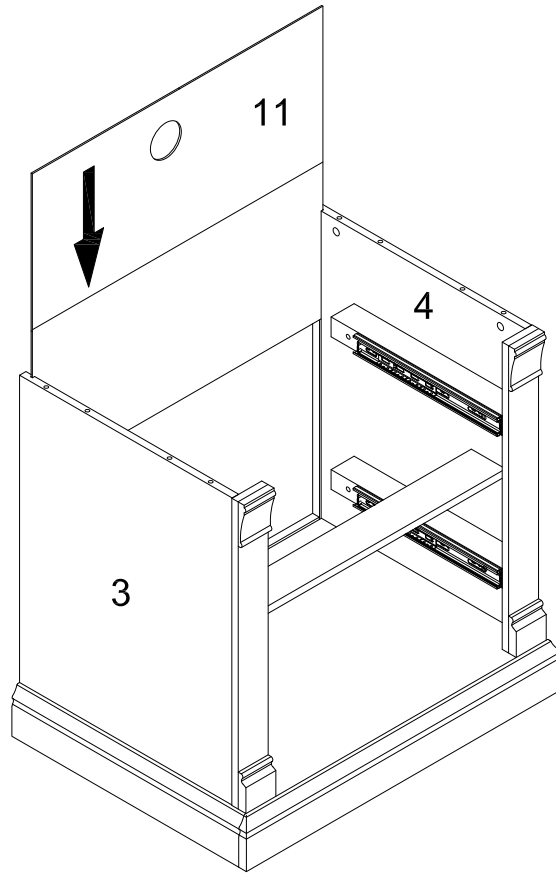
Step 13



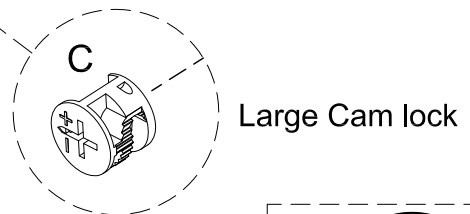
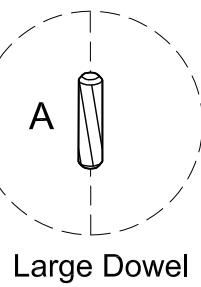
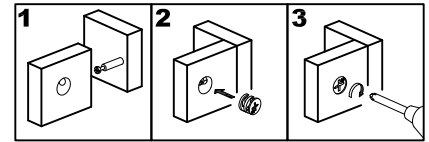
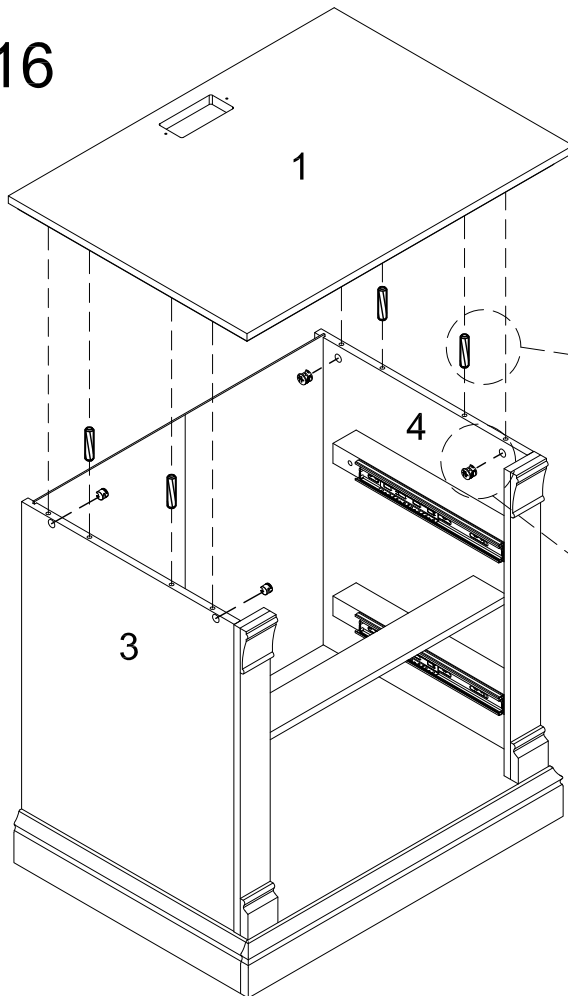
Step 14



Step 15

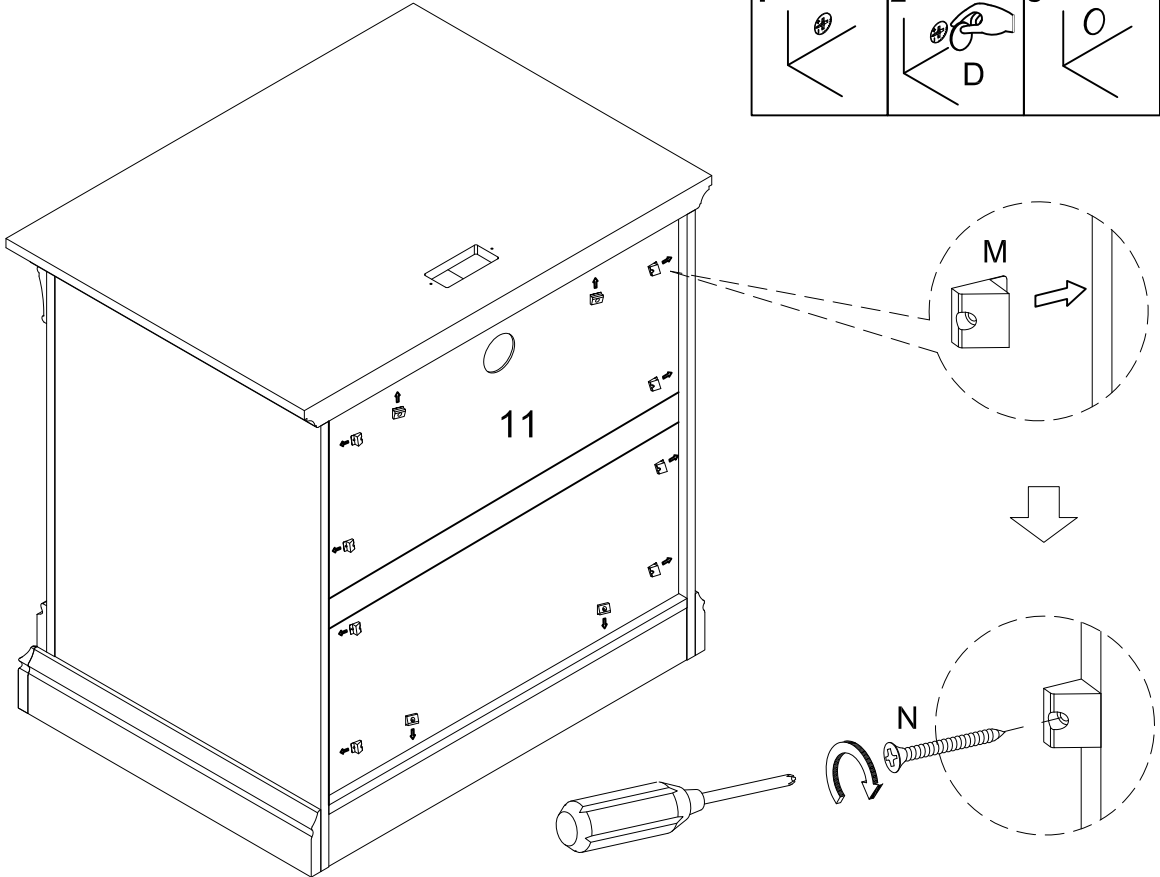


Step 16

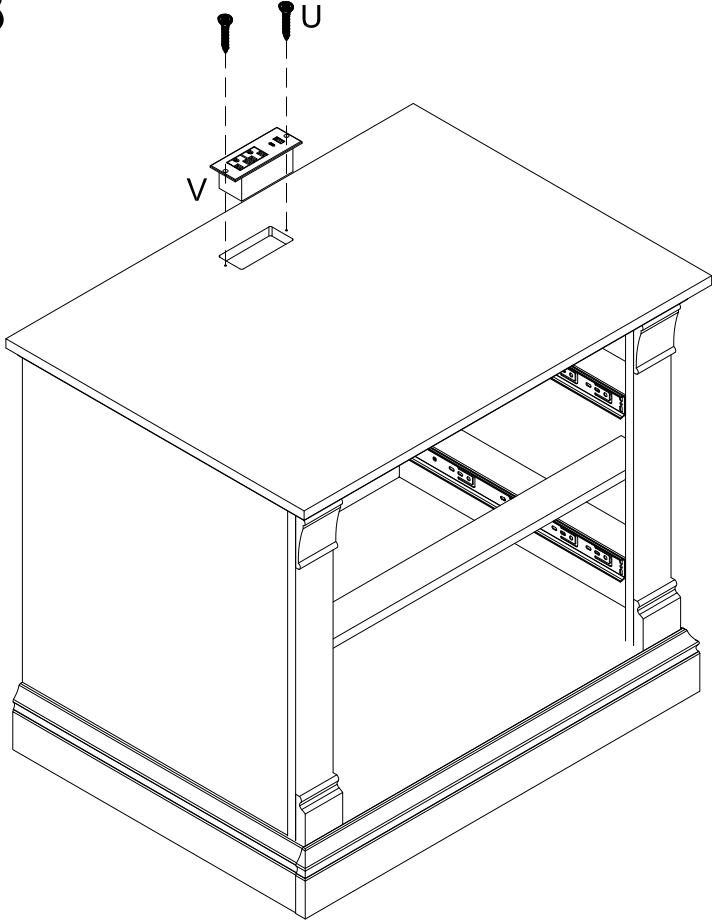


CAUTION: Heavy! You may need assistance with this step

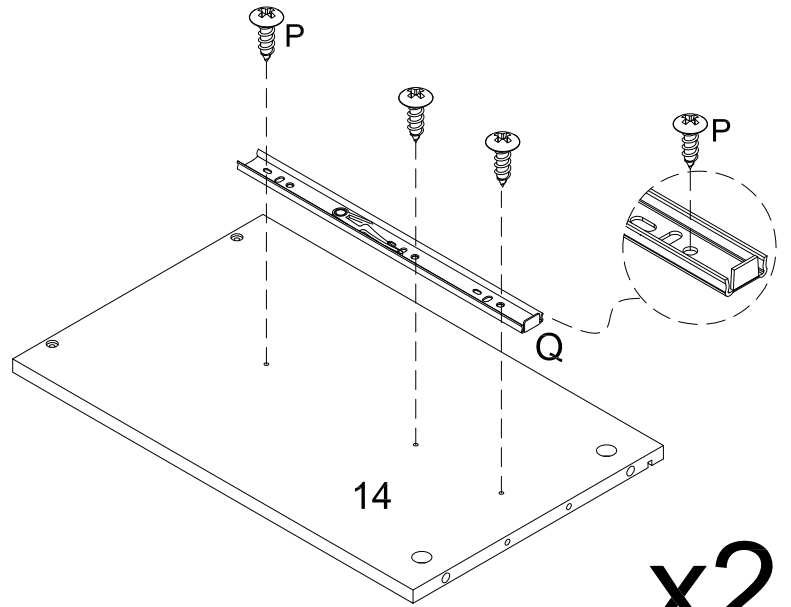
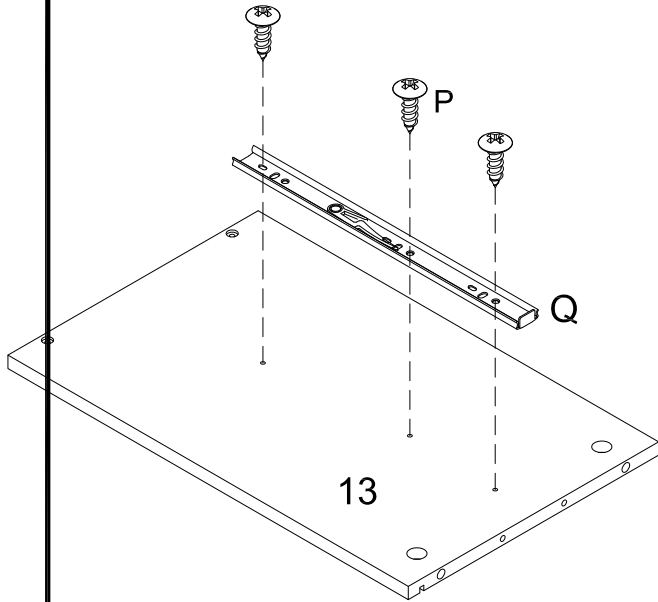
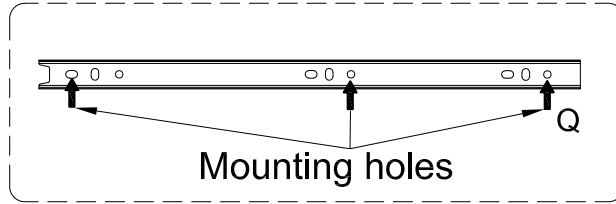
Step 17



Step 18



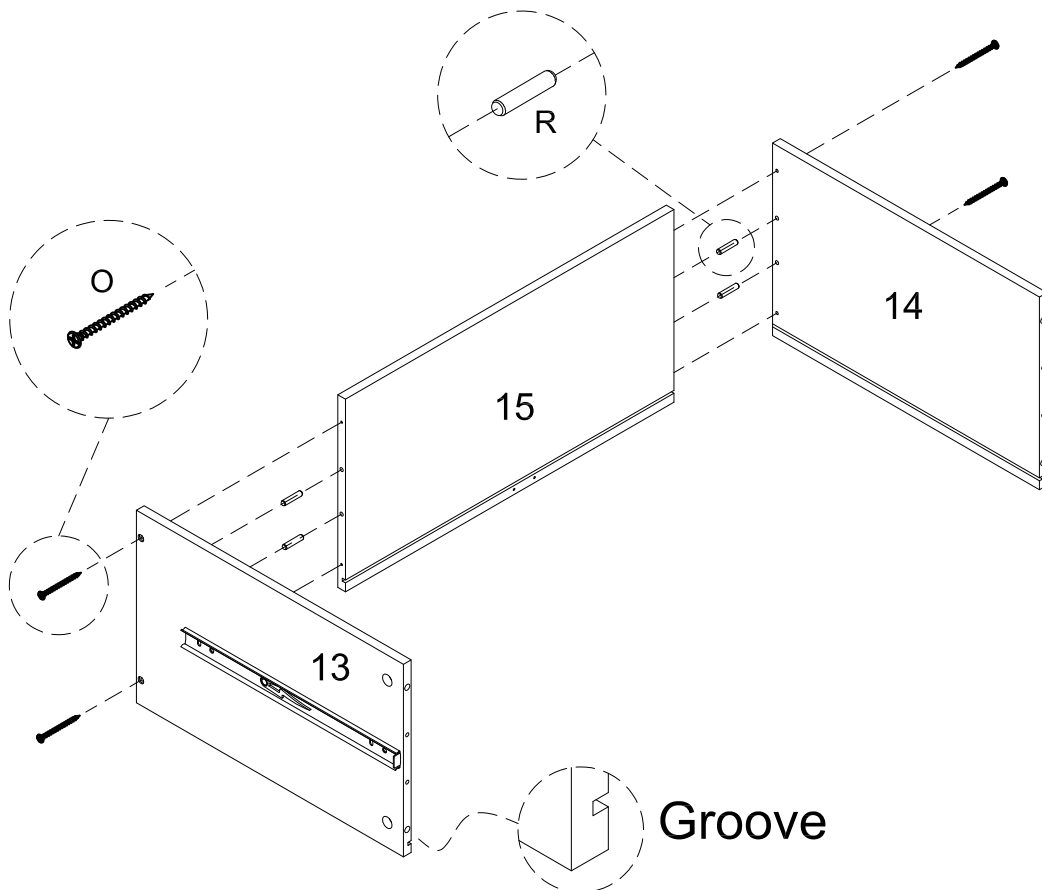
Step 21



x2

Step 22

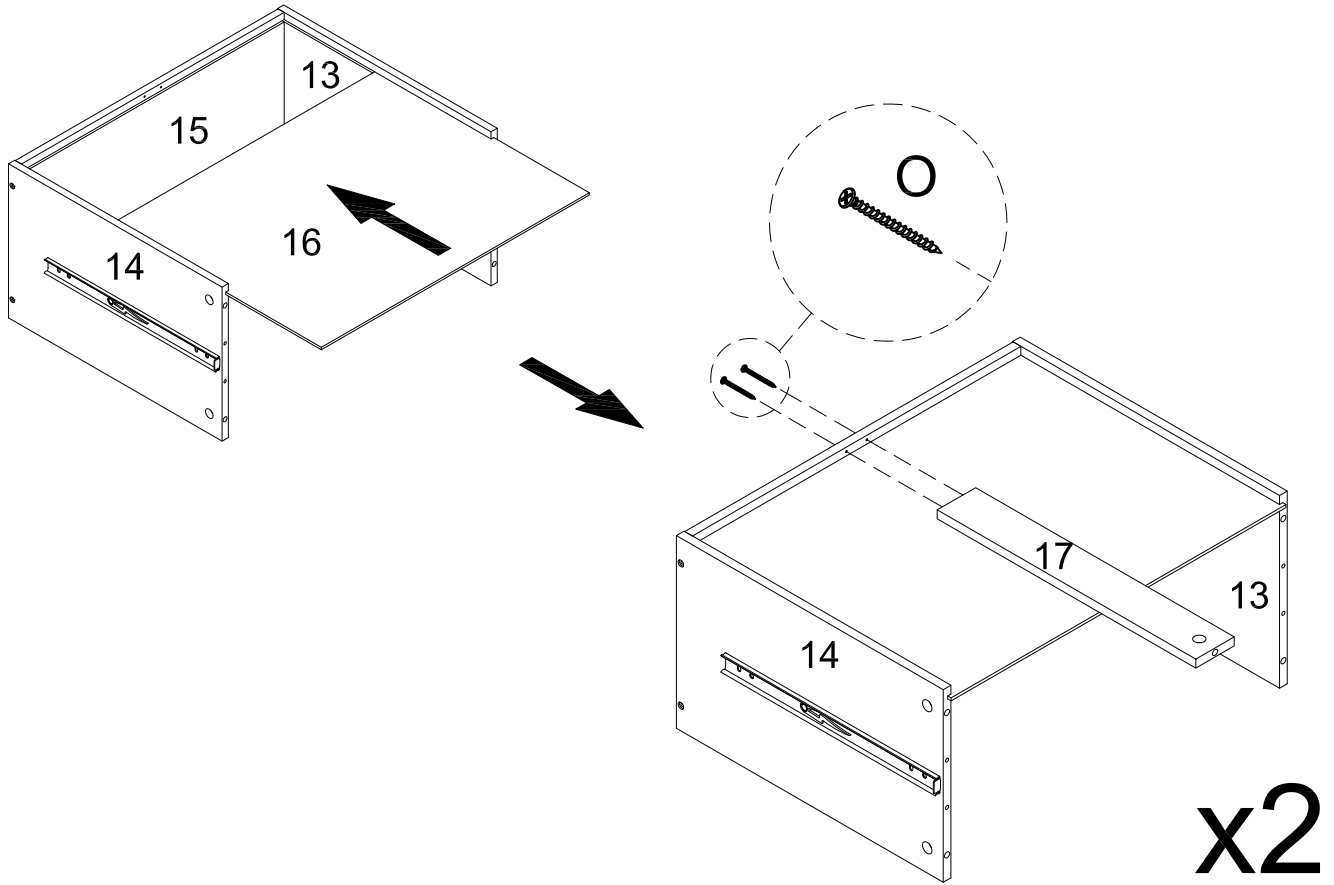
Small wood dowel



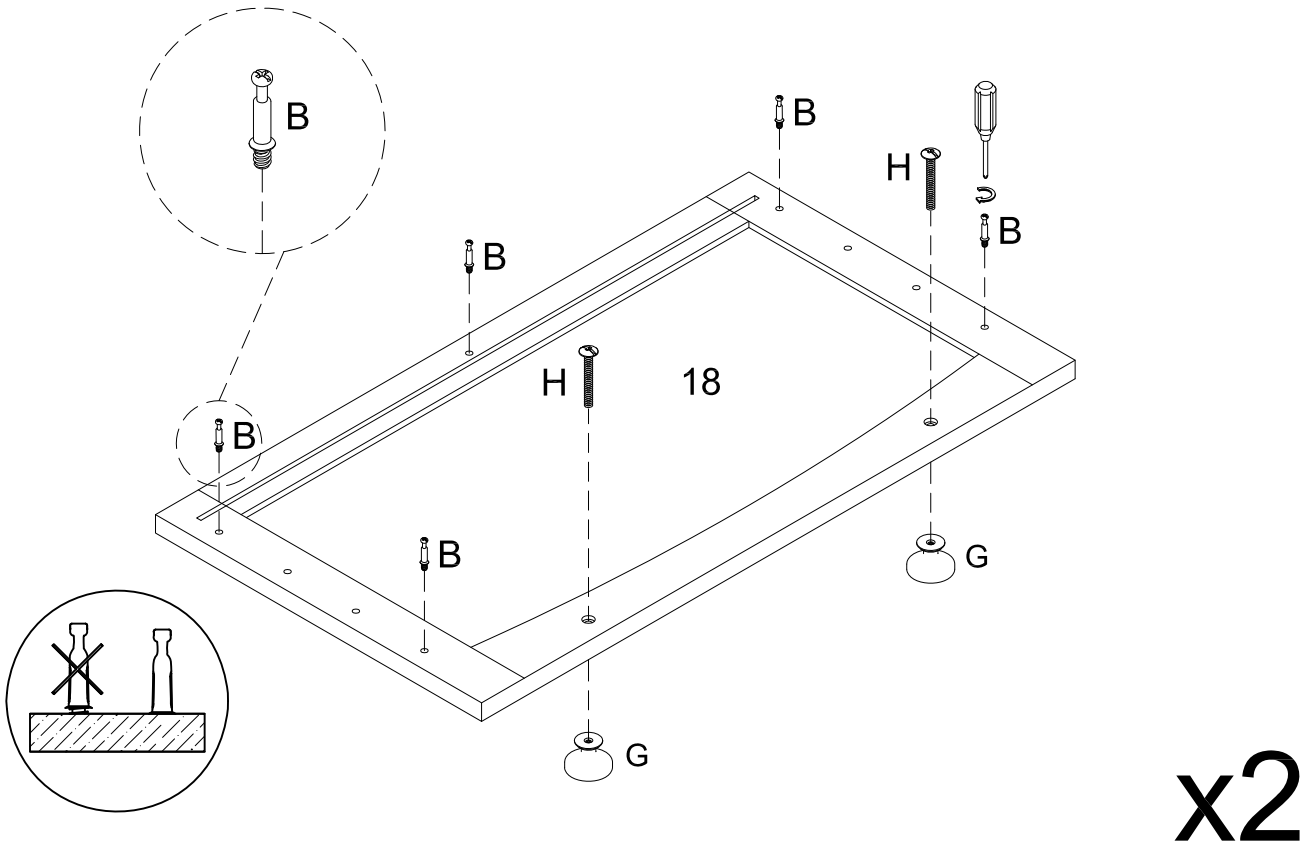
Groove

x2

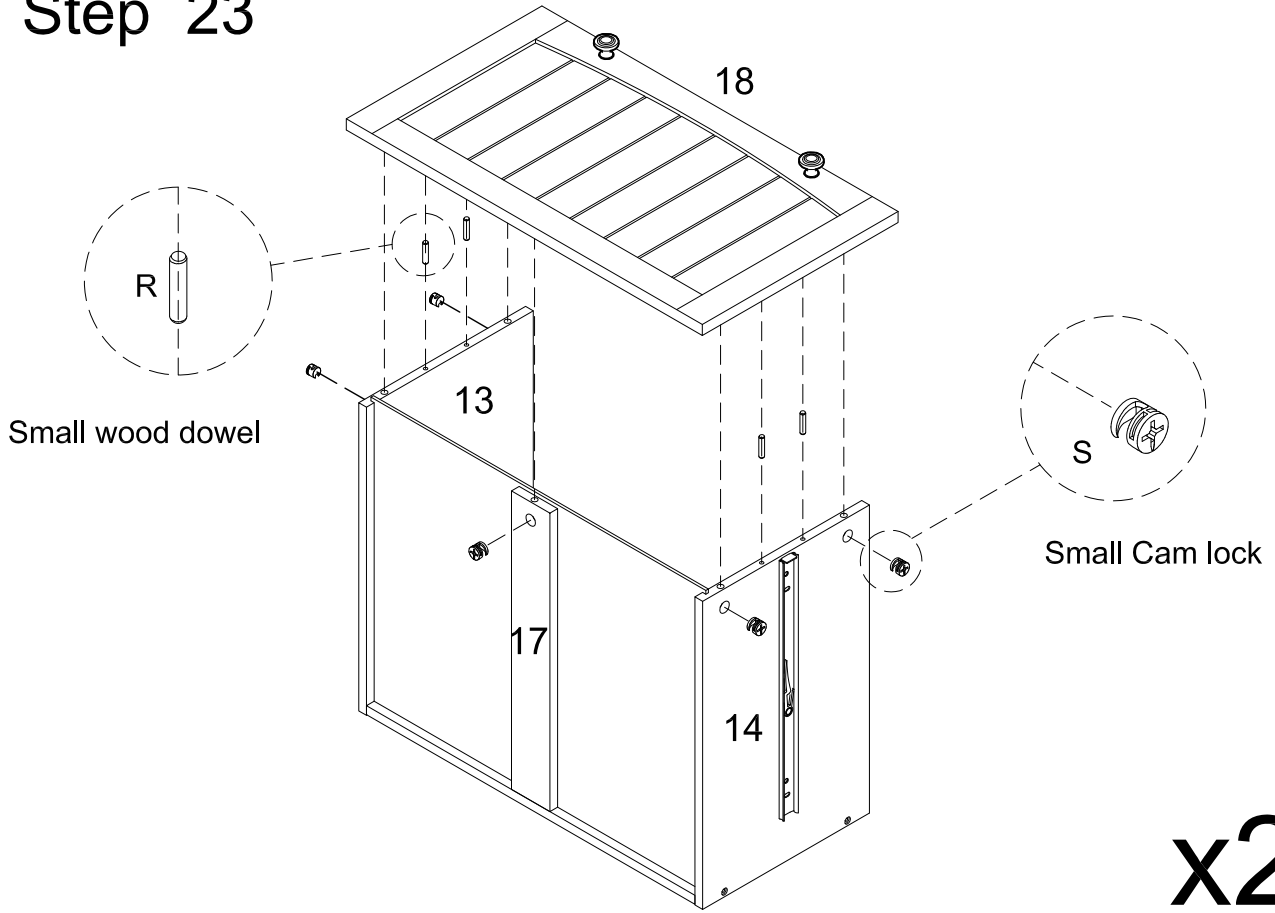
Step 21



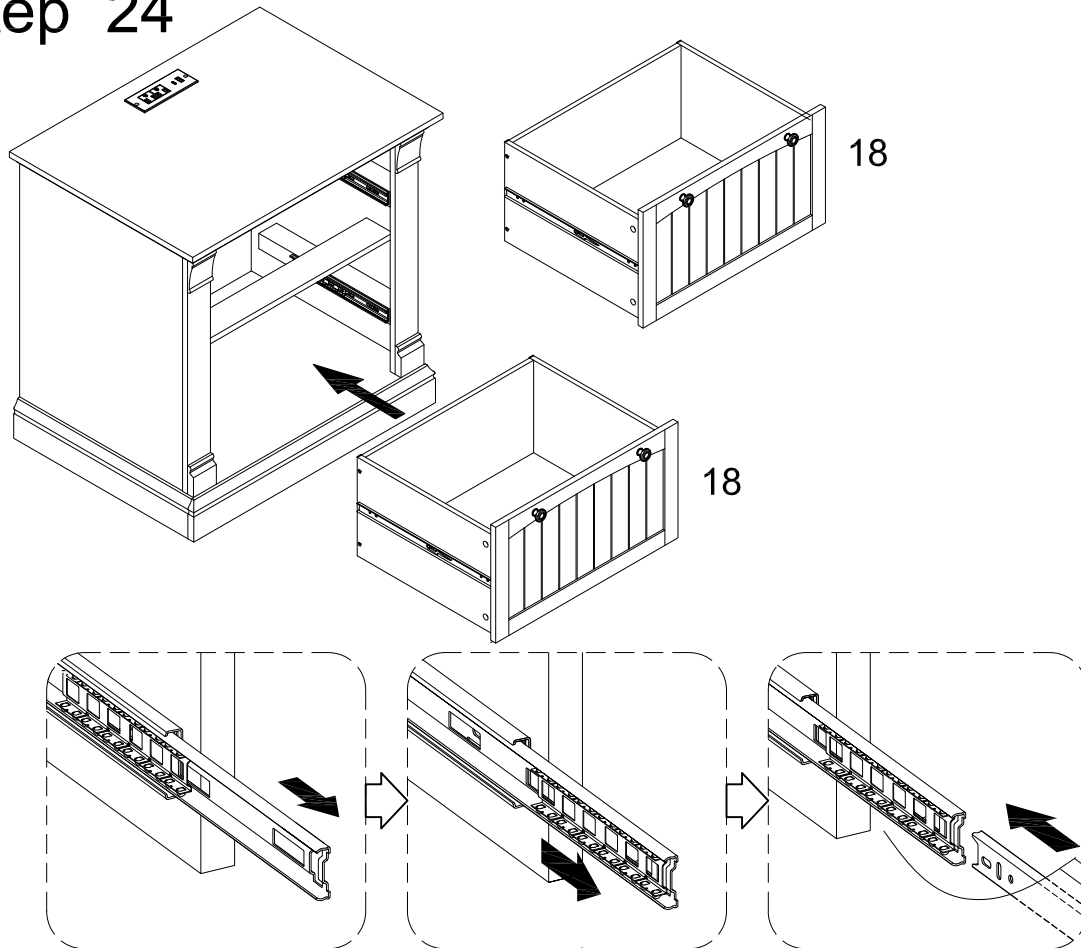
Step 22



Step 23

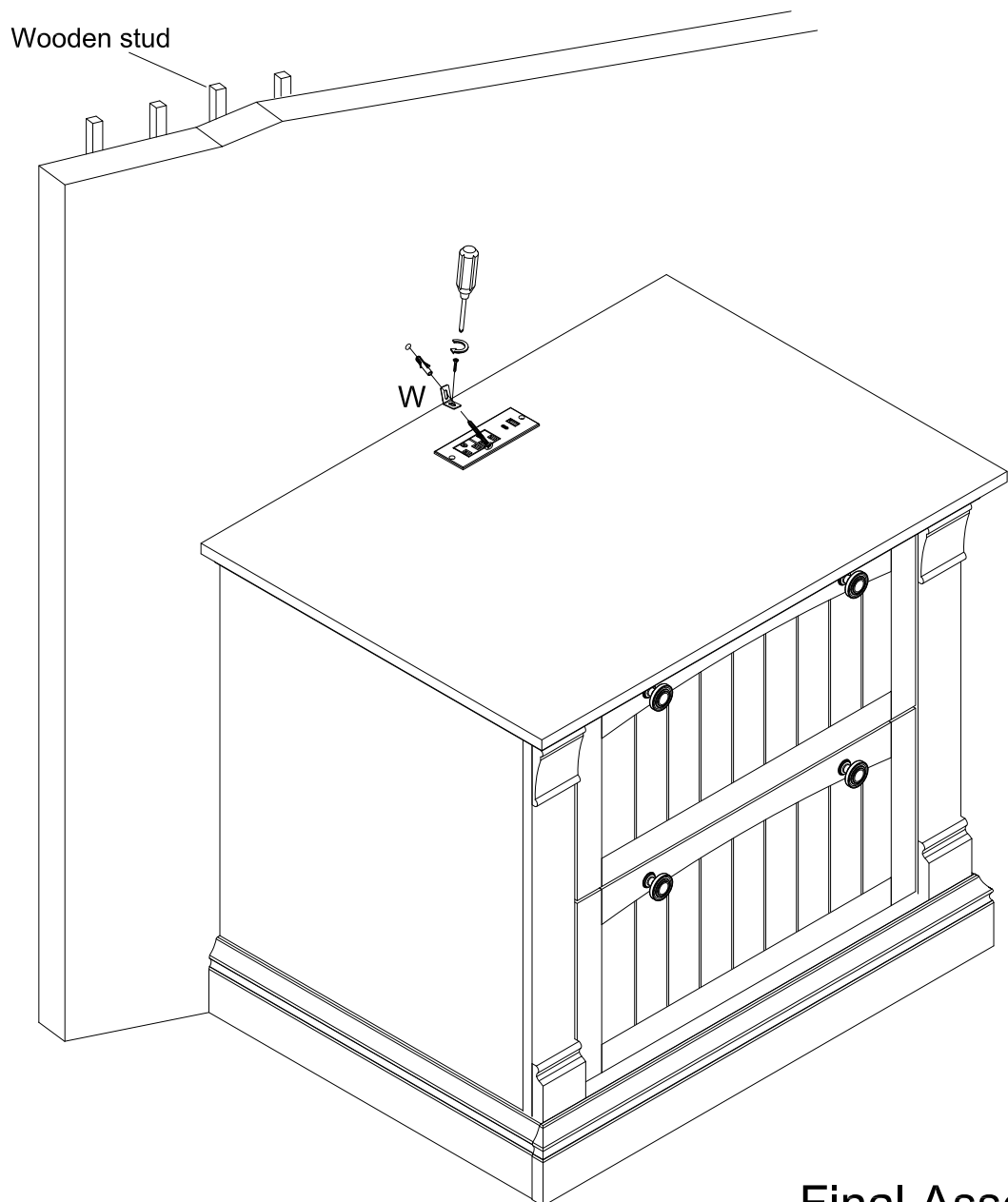
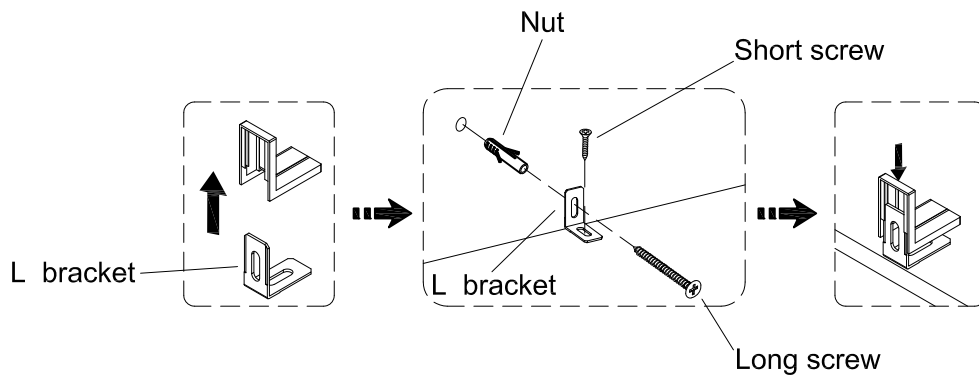


Step 24



Step 25

Serious or fatal injuries can occur from furniture tipping over. To prevent the furniture from tipping over we recommend that it is permanently fixed to the wall. Wall anchor and hardware are included with this product. Please make sure hardware is suitable for your walls before installing, as different wall materials may require different types of anchors.



Final Assembly