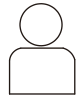


INSTRUCTION MANUAL

Components List

20 min

Assemble Time

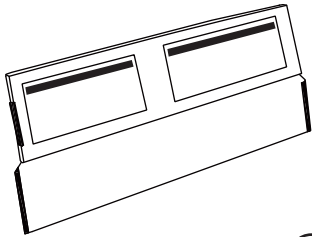


One People

Please note that the products are packed in boxes A and B.

A

Back frame



(A)*₁

Seat iron frame



(B)*₁

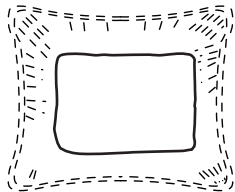
Front seat baffle



(C)*₁

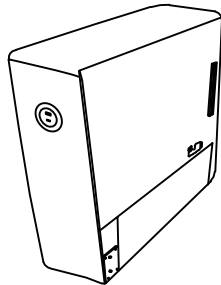
B

Rectangular pillow



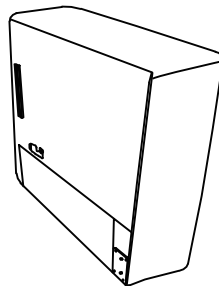
(D)*₂

Left armrest



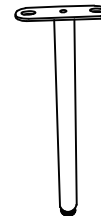
(E)*₁

Right armrest



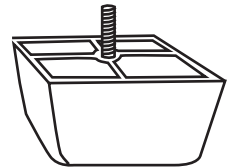
(F)*₁

Iron feet



(G)*₁

Plastic feet



(I)*₄

Seat cushion



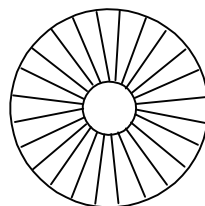
(J)*₂

Spanner



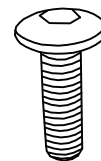
(K)*₁

Plastic washer
Φ48mm



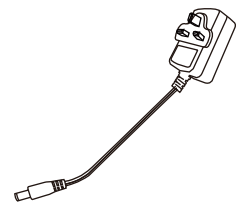
(L)*₄

Screw



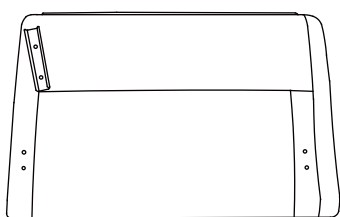
(M)*₂₊₁

Power cord



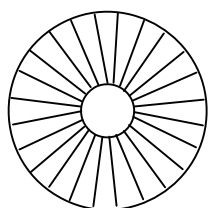
(N)*₁

Components List

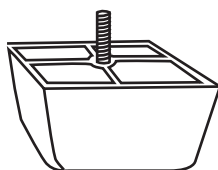


Armrest frame

Please unzip the bottom of the armrest and inspect all the product accessories.



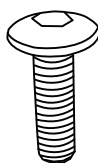
Ⓛ * 4



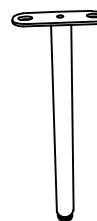
Ⓢ * 4



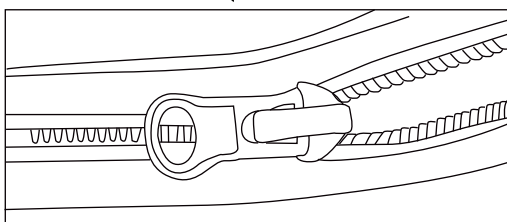
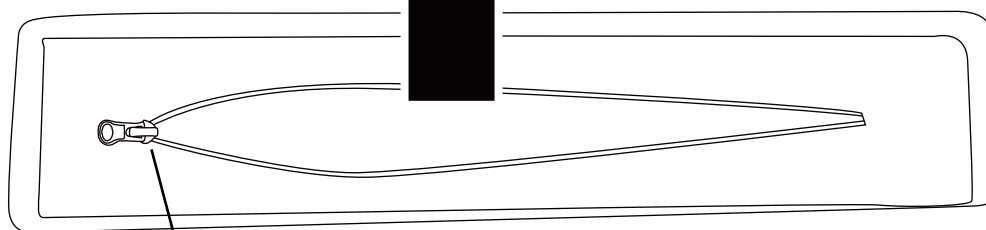
Ⓚ * 1



Ⓜ * 2+1



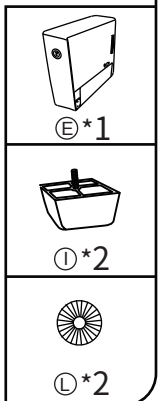
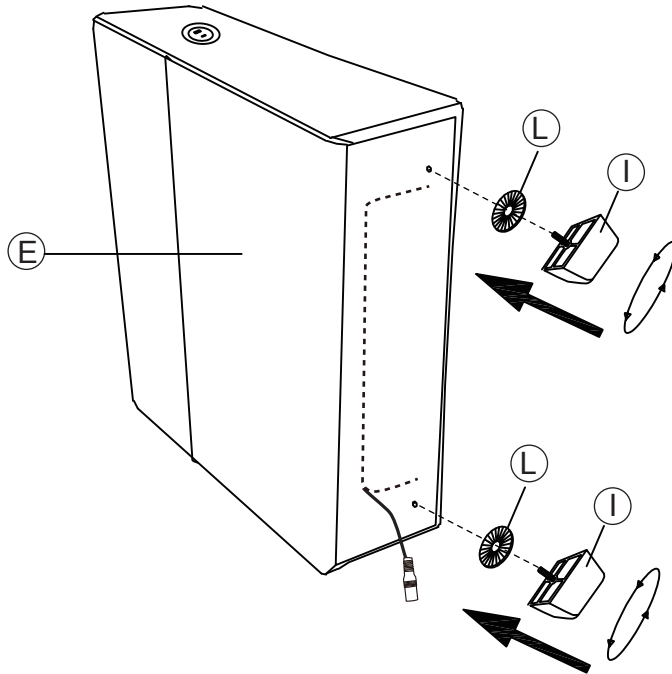
Ⓒ * 1



Assembly Instruction

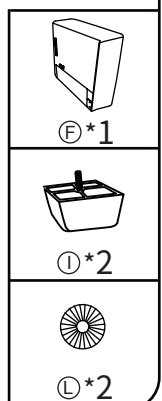
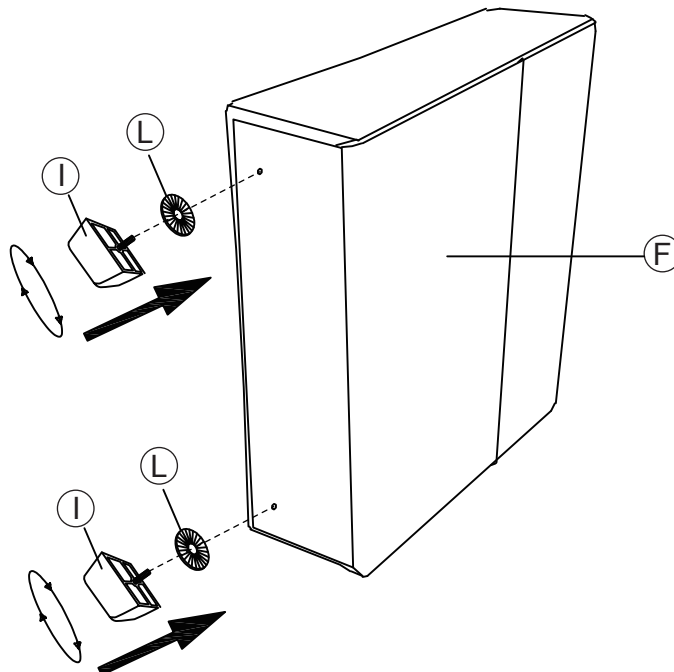
Step 1

Install plastic feet (I) and plastic washers (L) at the bottom of the armrest.



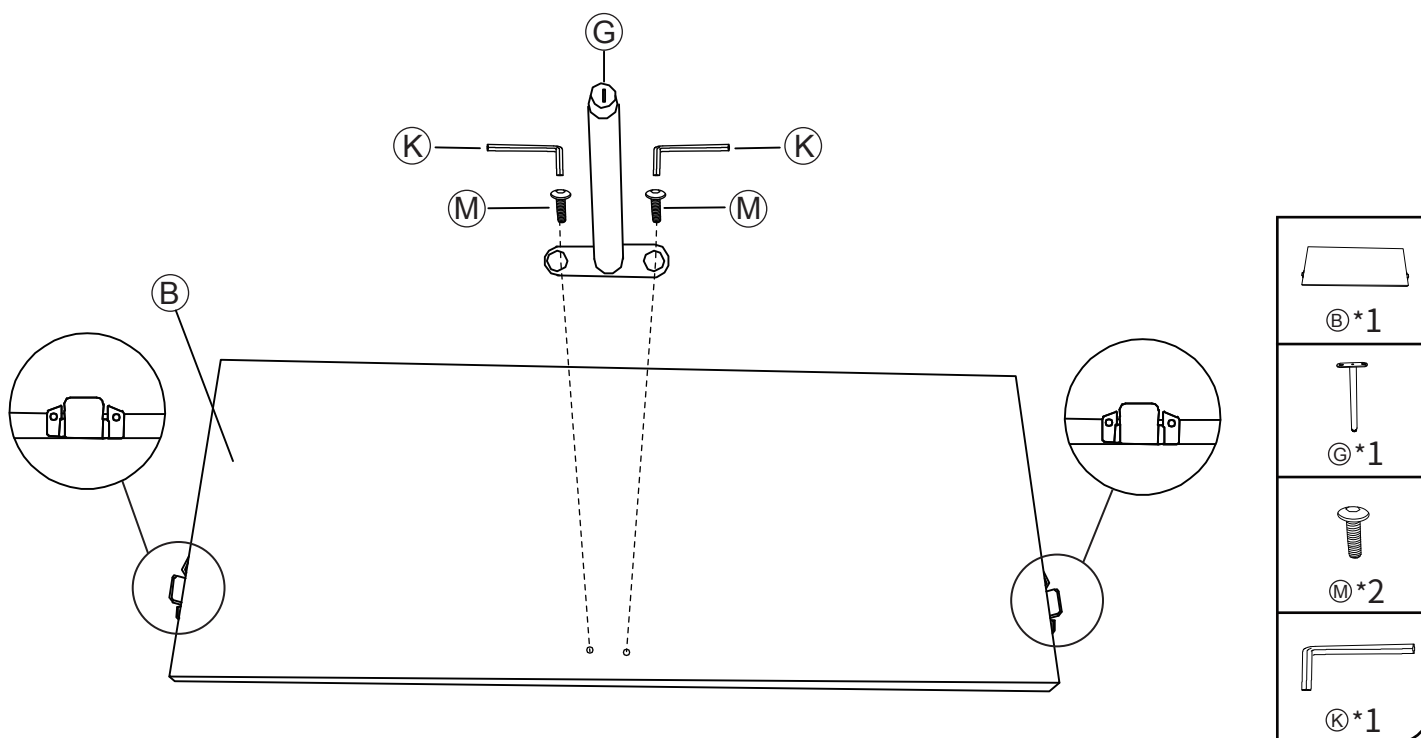
Step 2

Repeat Step 1.



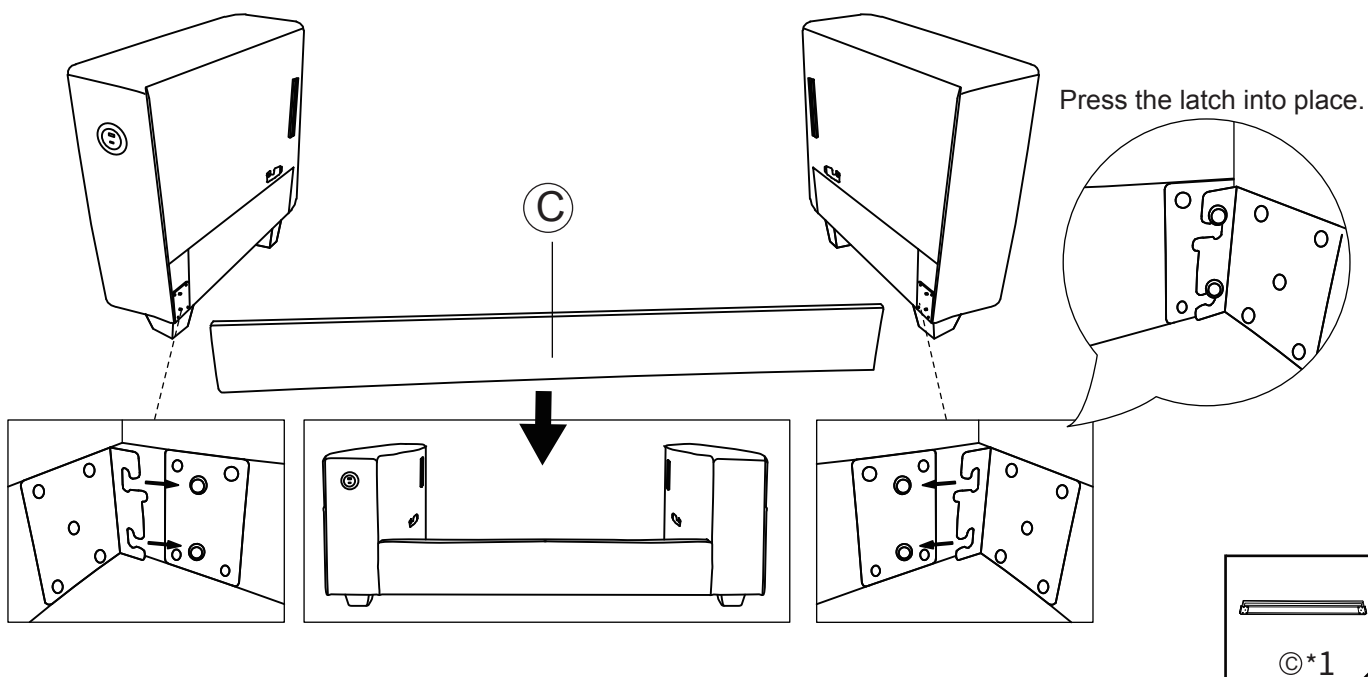
Step 3

Install the iron feet (G) behind the bottom of the seat iron frame using M6 * 16mm screws (M).



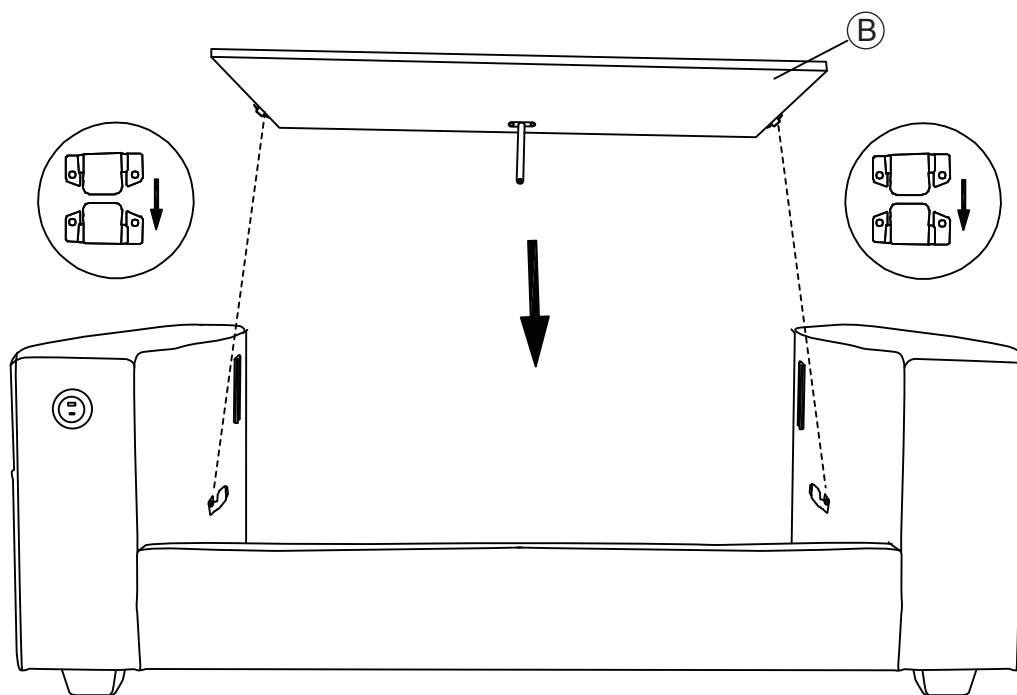
Step 4

Install the front seat baffle (C) on the armrest.



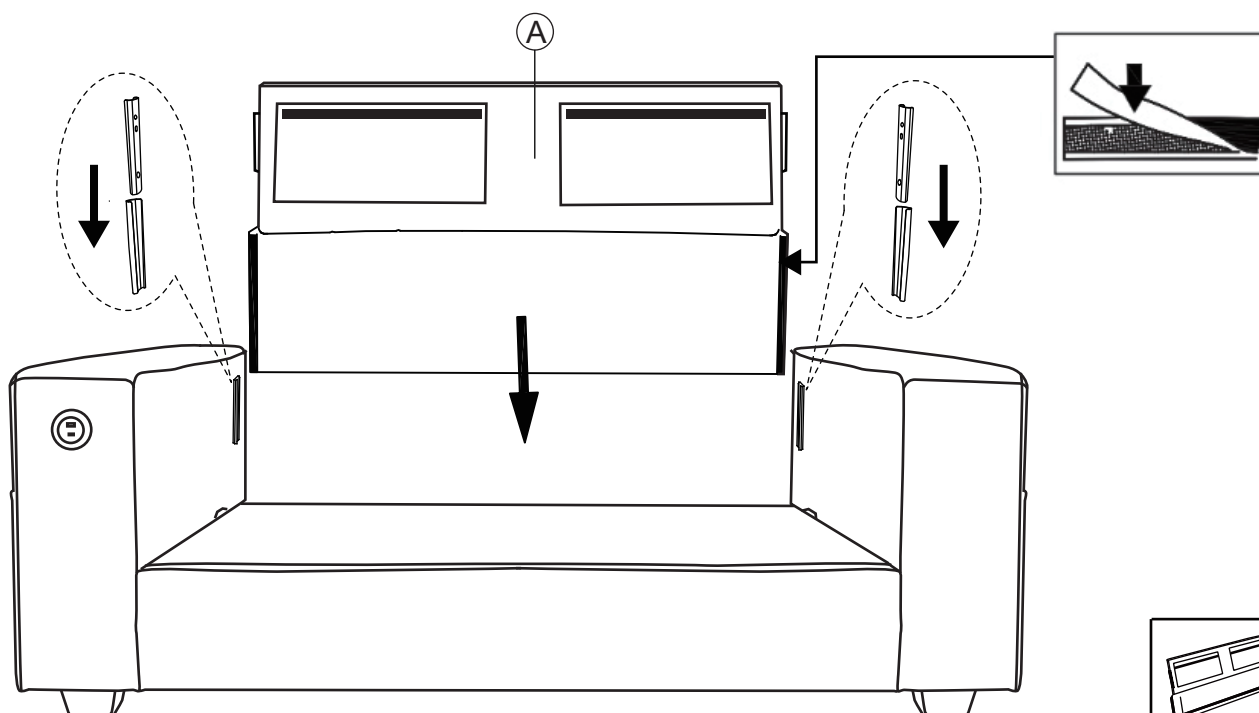
Step 5

Install the seat iron frame (B) on the armrest.



Step 6

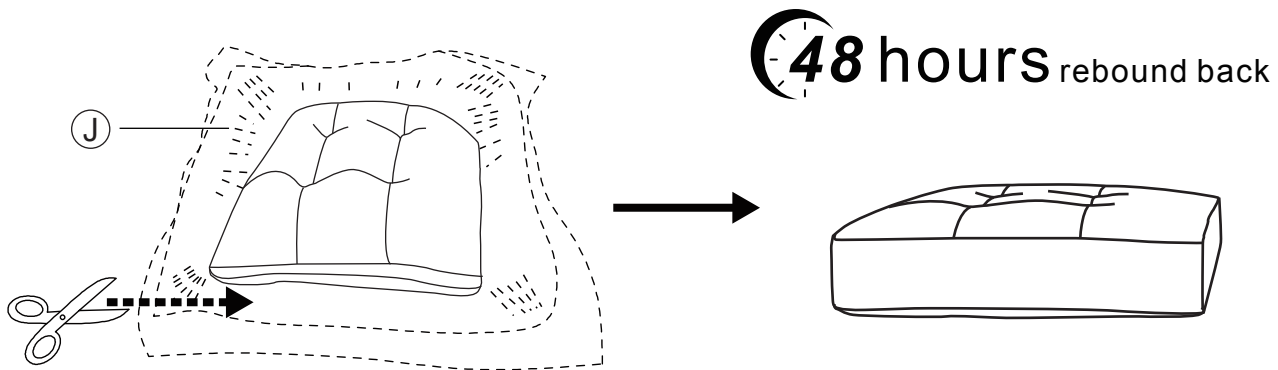
Install the back frame (A) on the armrest.



Assembly Instruction

Step 7

Remove the seat cushion.

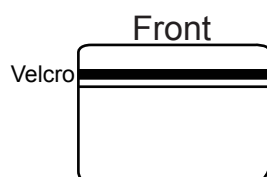
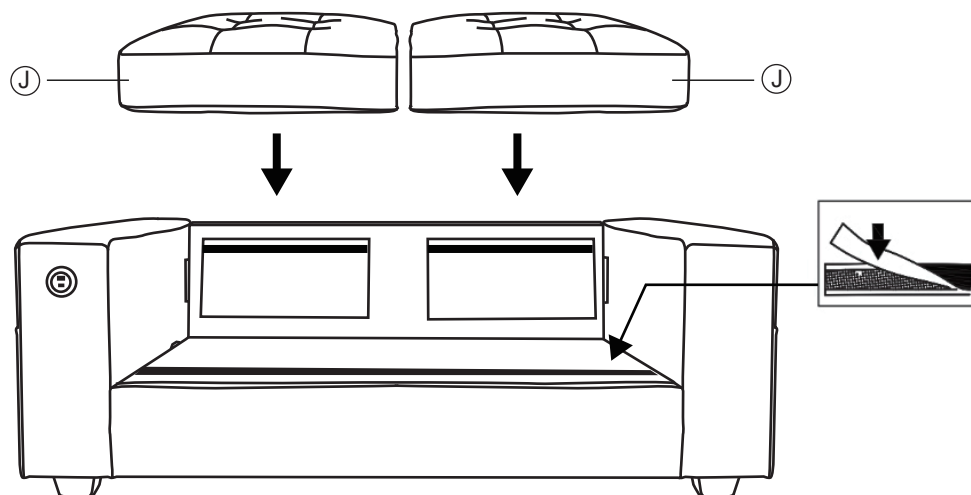


* NOTE: The seat cushion you received has been vacuum-packed. Open the plastic bag, take out the inner seat cushion, let it breathe to the normal state.



Step 8

Place the seat cushion (J) on the seat surface.

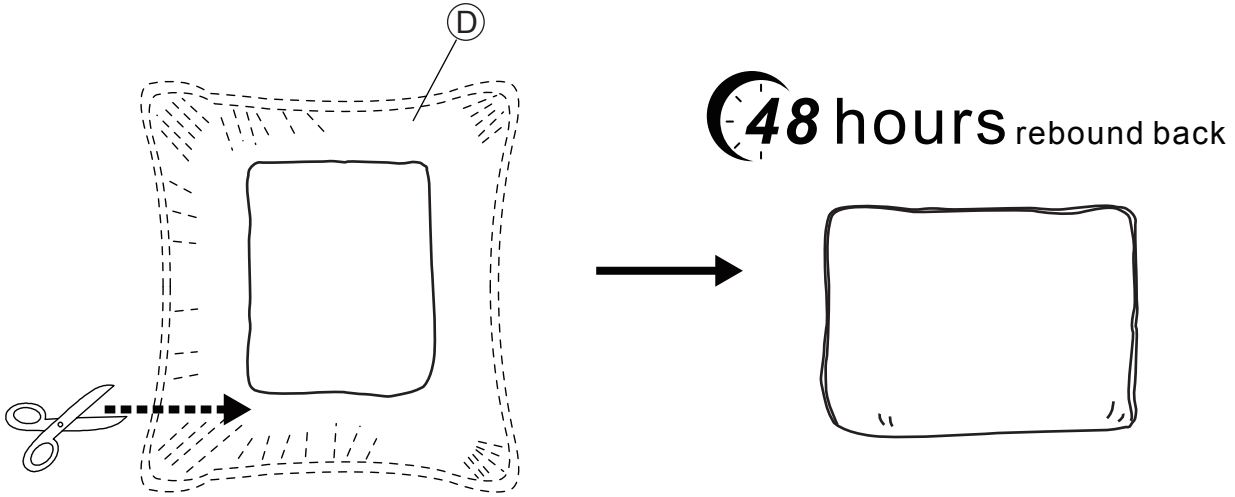


Note: There is a Velcro at the front end of the bottom of the seat cushion.

Assembly Instruction

Step 9

Remove the rectangular pillow.

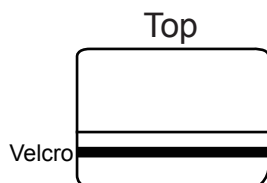
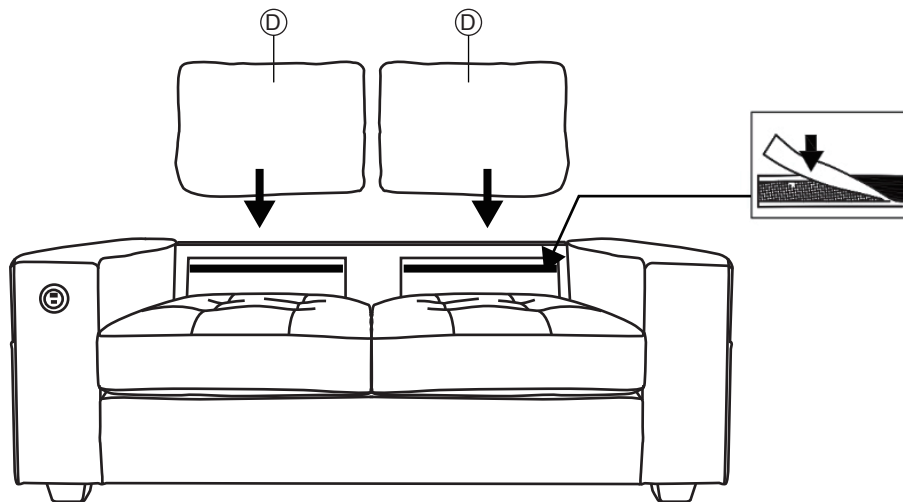


* NOTE: The rectangular pillow you received has been vacuum-packed. Open the plastic bag, take out the inner rectangular pillow, let it breathe to the normal state.



Step 10

Place the rectangular pillow (D) on the seat surface.

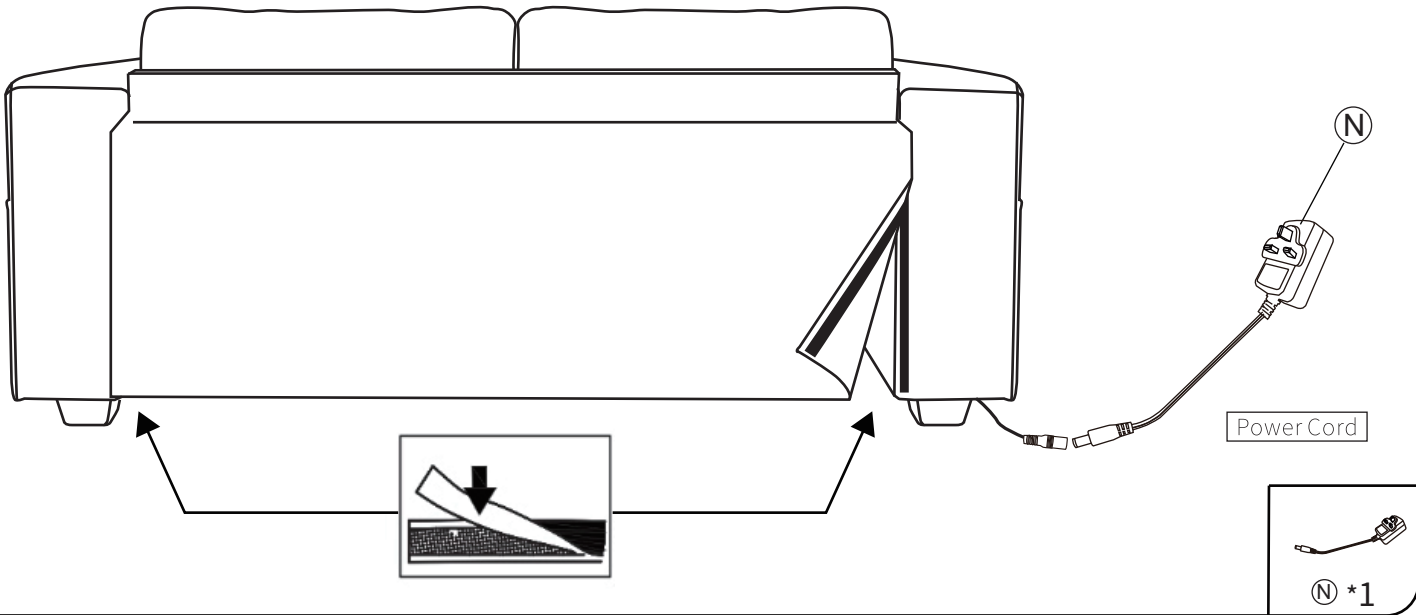


Note: There is a Velcro buckle at the bottom of the rectangular pillow.

Assembly Instruction

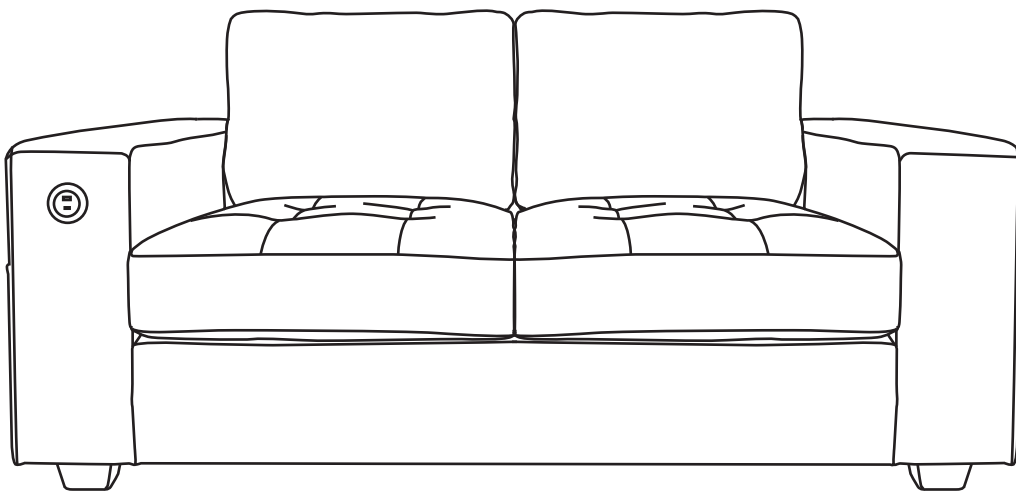
Step 11

Connecting the power cord. Stick the velcro from the back frame to the seat frame.



Step 12

Assembly Done.



Done!