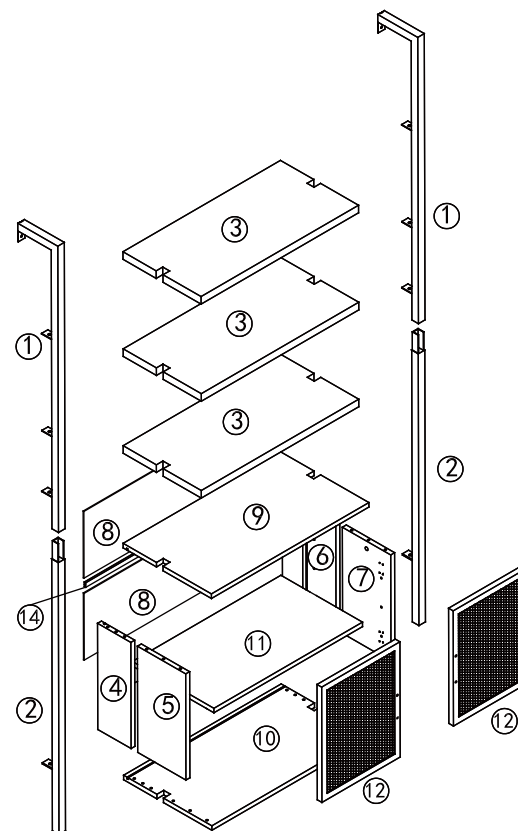












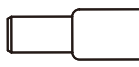



Your satisfaction is our priority!

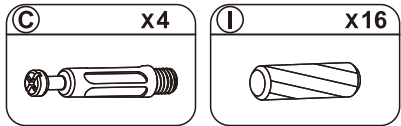
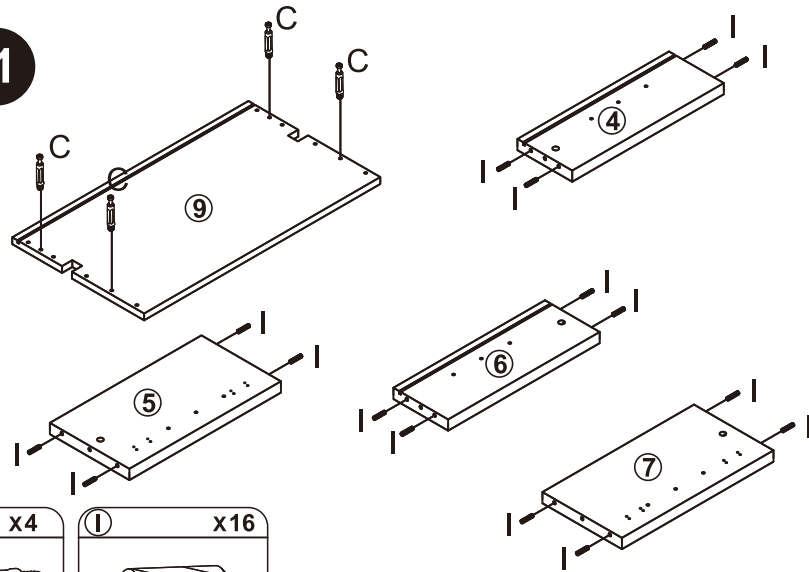
Parts list



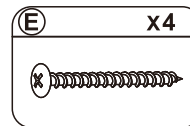
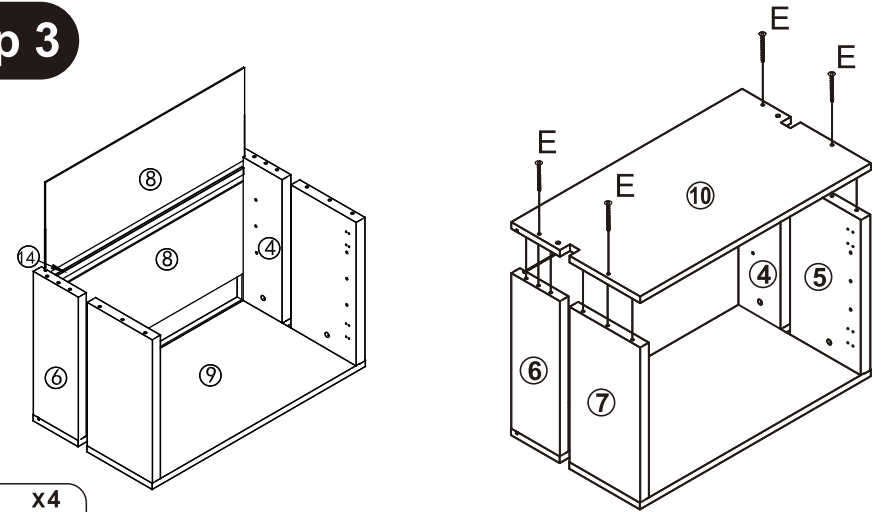
Hardware list

A x12 M6*12MM 	B x2 	C x4 M6*25MM 	D x4 $\phi 15^*9.5$ MM 	E x4 $\phi 4^*50$ MM 
F x4 M4*23MM 	G x2 $\phi 4^*32$ MM 	H x2 M6*30MM 	I x 16 M8*30MM 	J x 24 $\phi 4^*14$ MM 
K x4 $\phi 40$ MM 	L x1 4MM 	M x4 	N x4 	

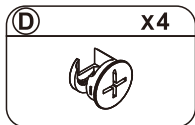
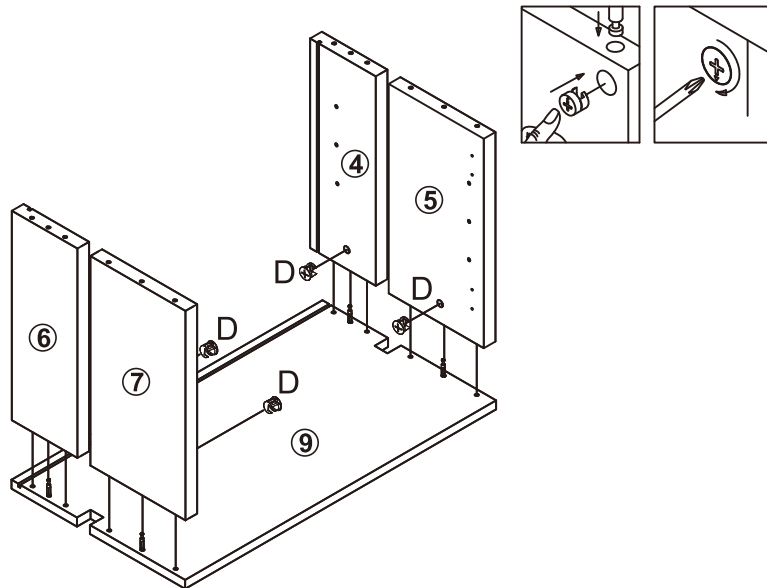
Step 1



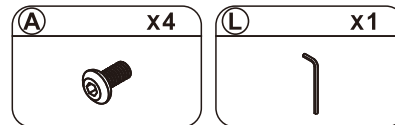
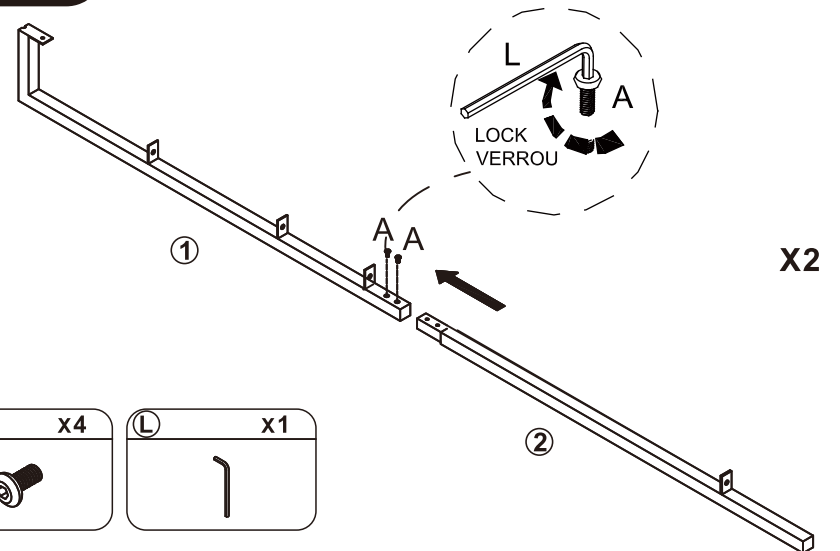
Step 3



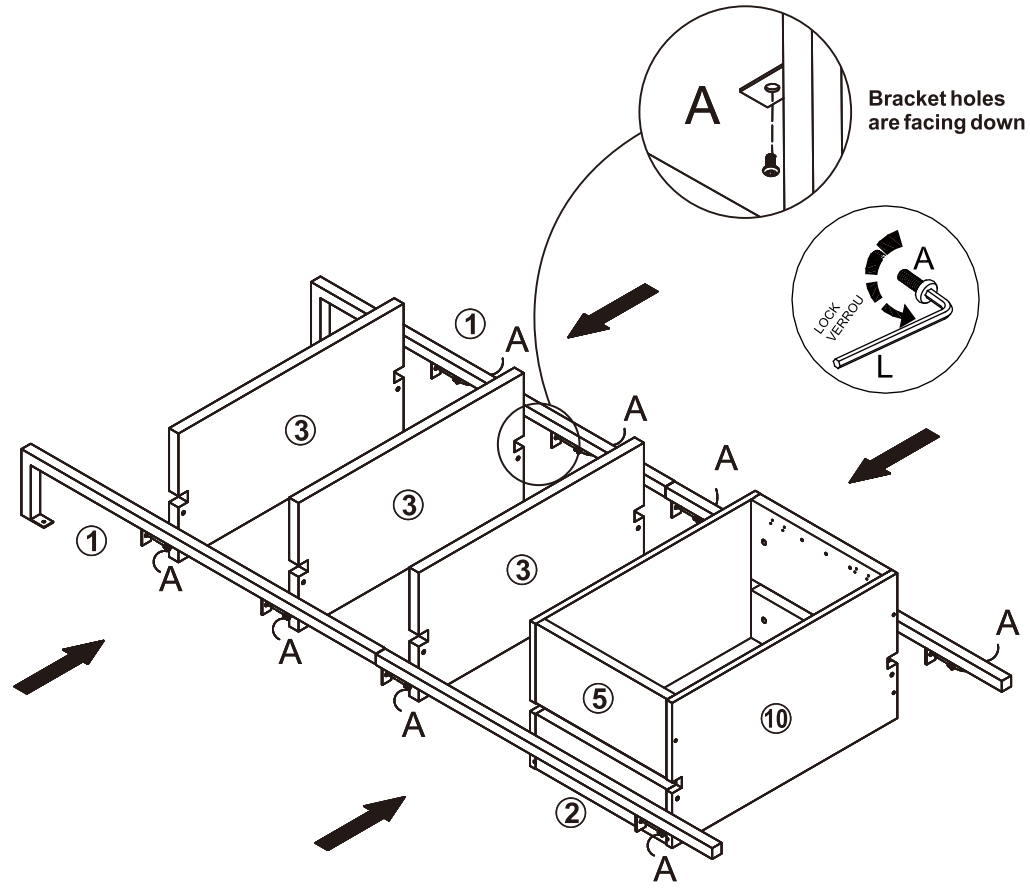
Step 2



Step 4



Step 5

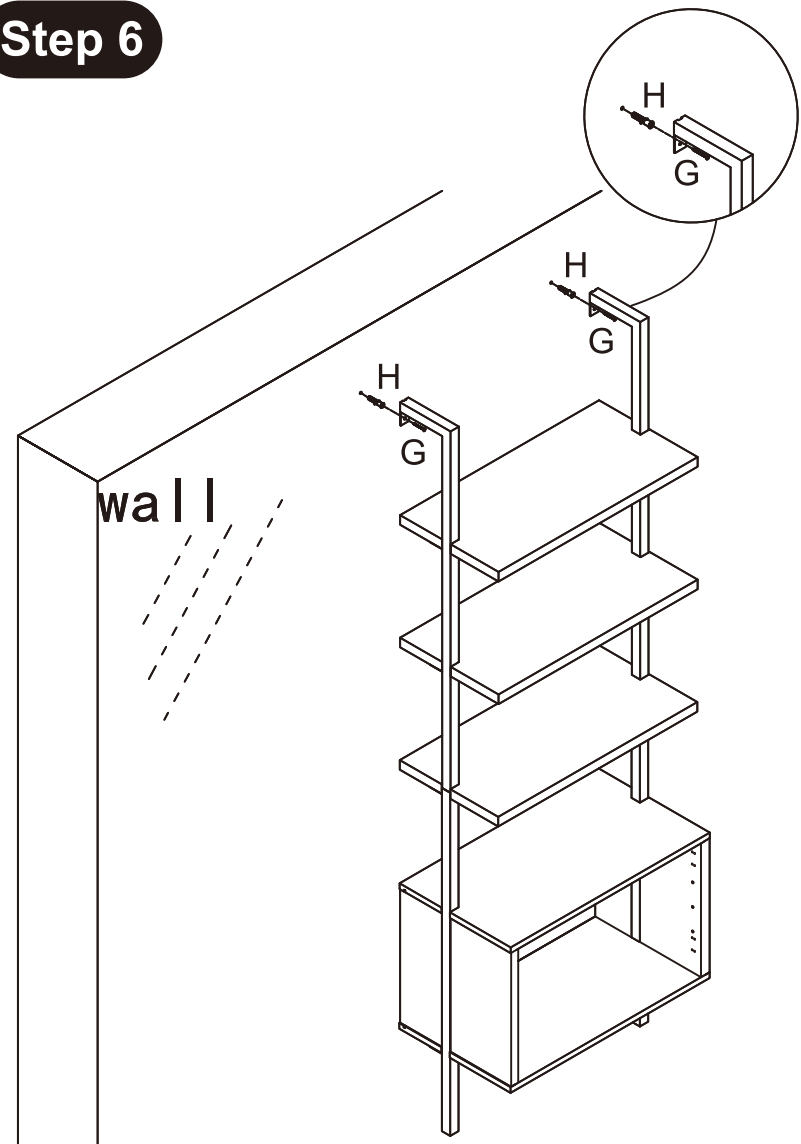


Bracket holes are facing down



- (A) x8
- (L) x1

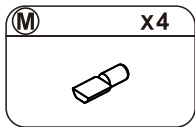
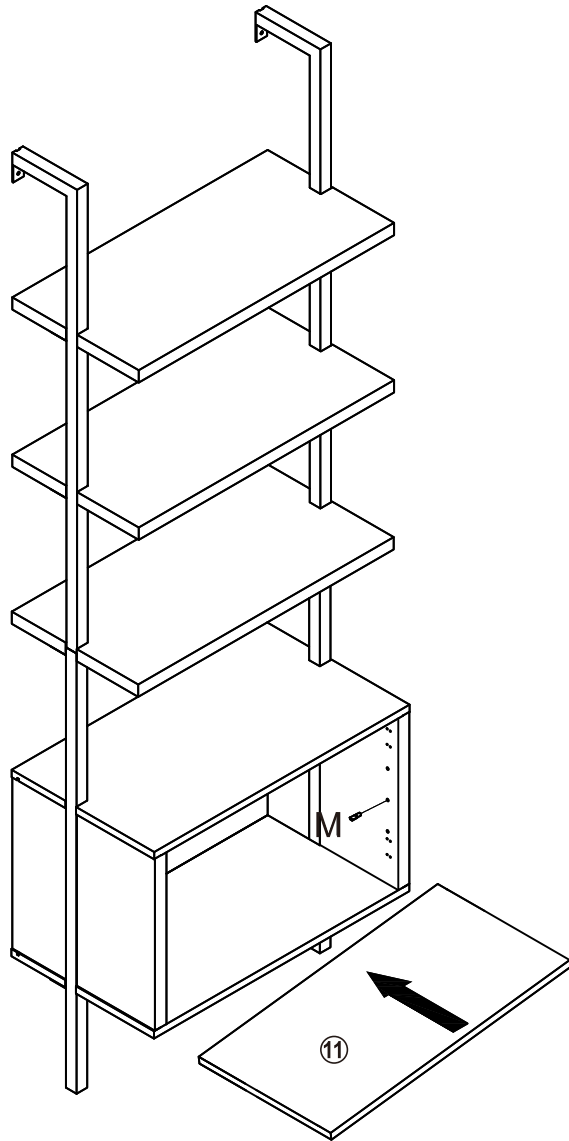
Step 6



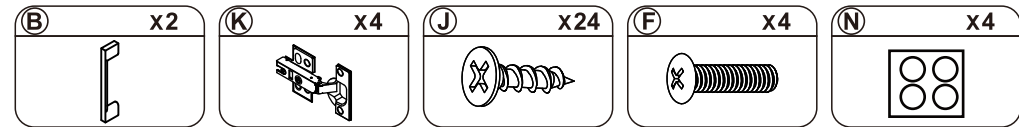
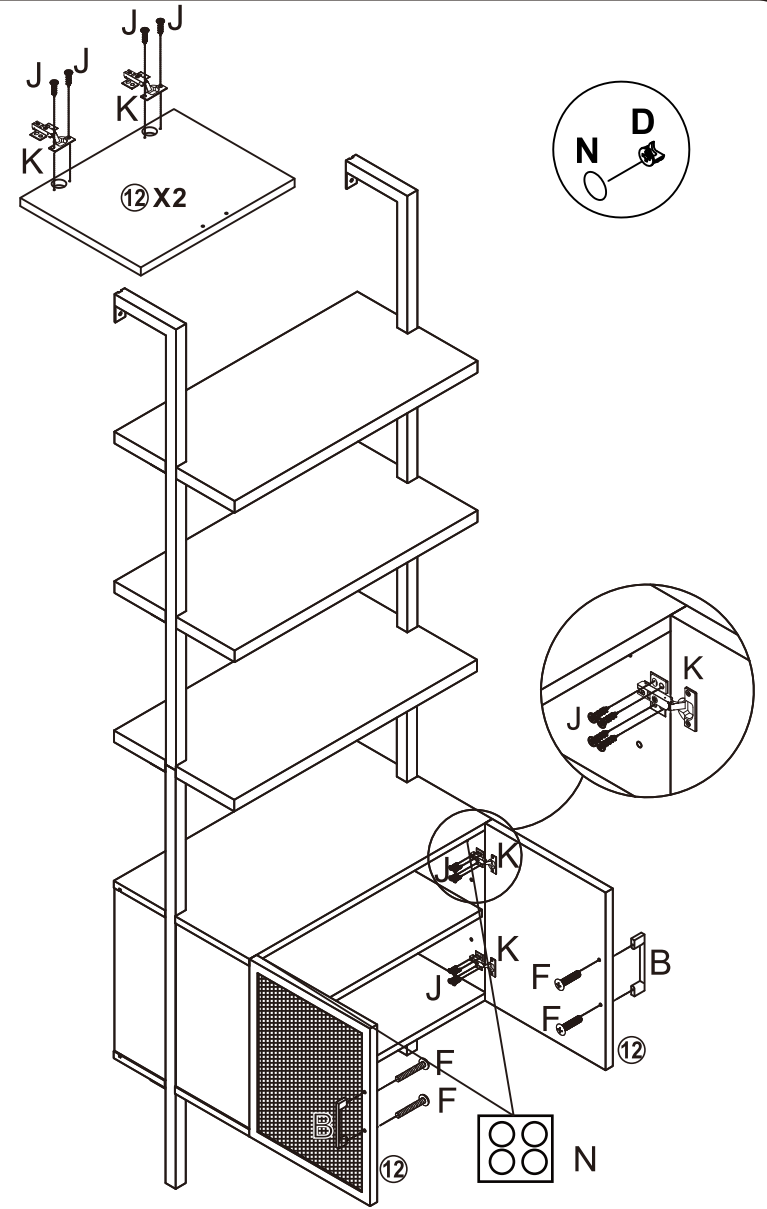
wall

- (G) x2
- (H) x2

Step 7



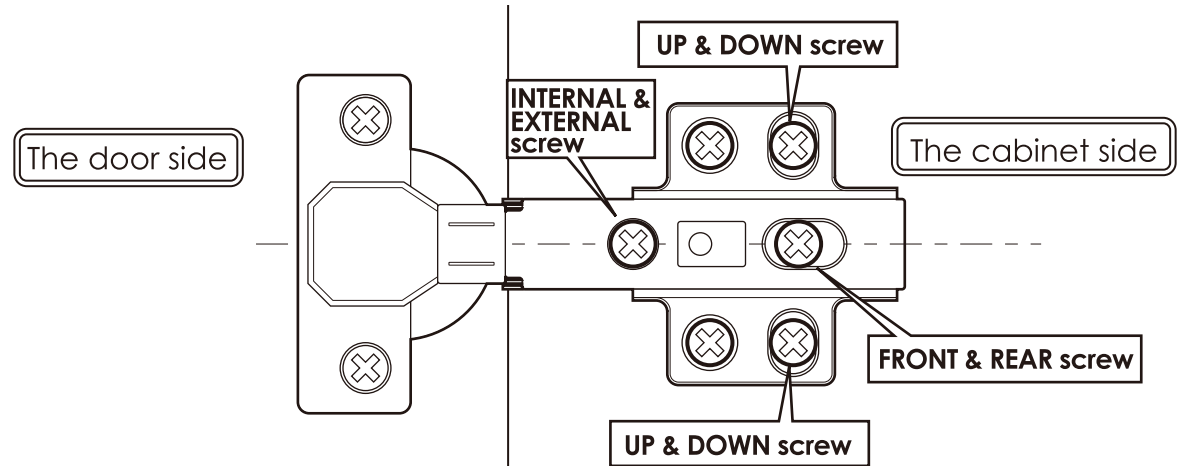
Step 8



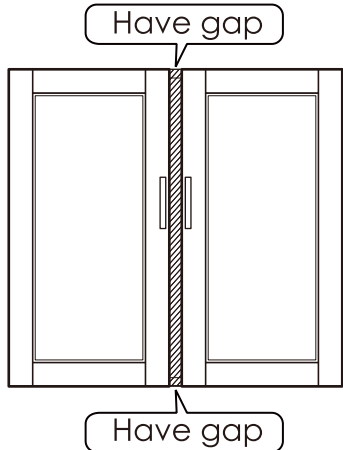
Adjusting the door

- Before adjusting the hinge, please check whether the cabinet is skewed.
- If the skew can not be repaired, please remove the anti-tipping device first, then adjust the cabinet to vertical position.
- Please adjust the hinge with the door open.
- Please operate it with more than 2 people, one person holds the door and the other one adjusts the screw.

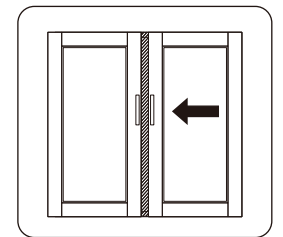
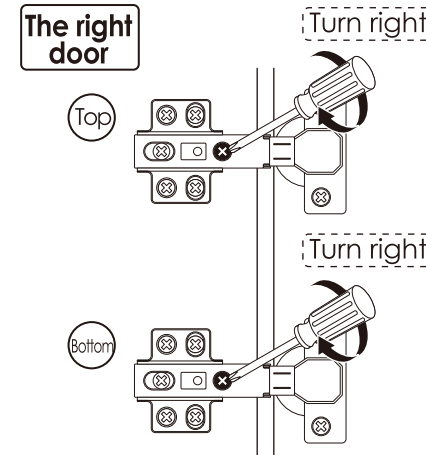
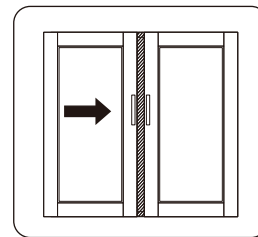
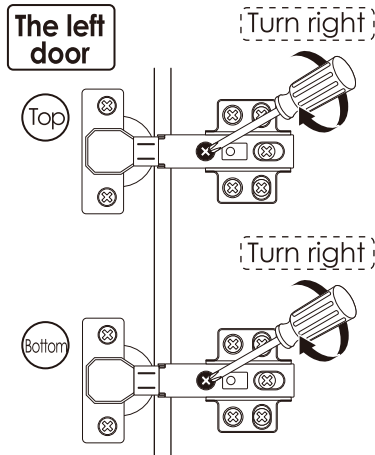
Components Name



Obvious gaps between doors or Doors don't look closed



1 Turn "internal & external screw" to the right can make the door approach inside. Please adjust the doors little by little.



※ If the 2 doors are overlap, please turn the "internal & external screw" to the left.

When door is crooked



Please take the following steps to adjust first.

1 Rotate the "front and rear screws" to the left

Top (Turn left)

Bottom (Turn left)

※ After adjusting the "front and rear screw", the door still does not change, please turn the "internal & external screw" to the right Slightly.

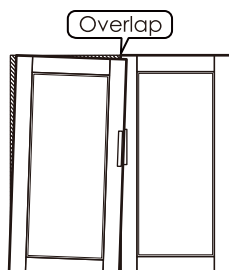
2 Push the door to the cabinet

3 Rotate the "front and rear screws" to the right

Top (Turn right)

Bottom (Turn right)

When door is leaning

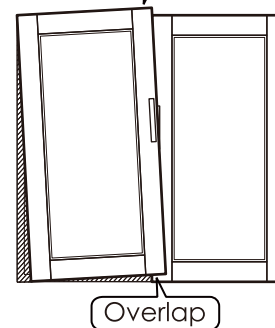


1 Turn "internal & external screw" to the left can make the top of the door tilted outward.

Top (Turn left)

Bottom (Turn left)

Protruding to the upside

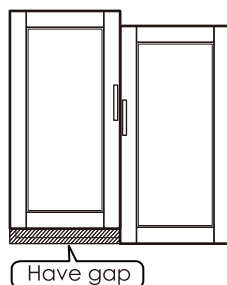


1 Turn "internal & external screw" to the left can make the bottom of the door tilted outward.

Top (Turn left)

Bottom (Turn left)

When the door is higher on top



1 Turn "up & down screw" to the left

Top (Turn left)

Bottom (Turn left)

2 Lower the door's height so that 2 doors are of the same height.

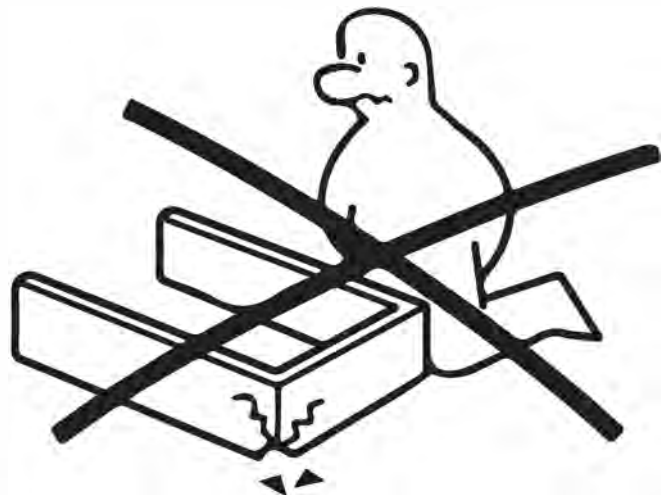
3 Turn "up & down screw" to the right

Top (Turn right)

Bottom (Turn right)

※ If the door is lower on bottom, please lift up the left door slightly on step 2

※ **Stay Scratch-Free: Safeguard Your Furniture by Assembling on Carpet.**



※ **Stuck in Assembly Limbo? Check out our website or contact our support team for quick solutions!**

