

Features

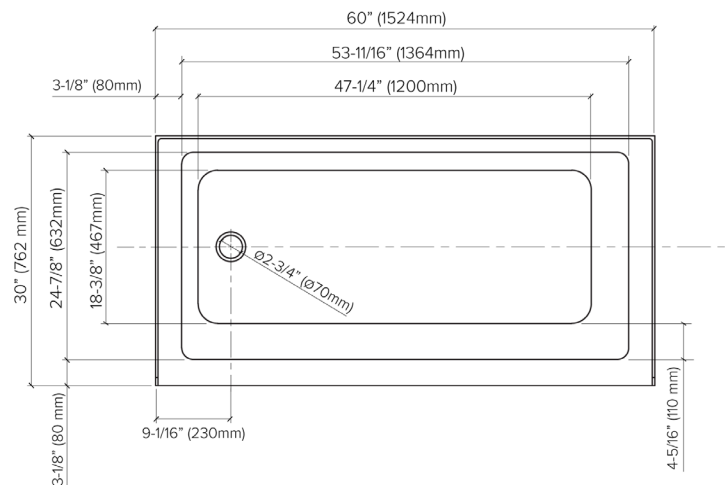
- 60" X 30" x 20-1/4" alcove bathtub.
- Acrylic material.
- Left-hand or right-hand drain location. (Must specify LH or RH when ordering.)
- Standard bathtub: through-the-floor-drain installation.
- PVC drain and linear overflow included.
- 10 Year Limited Residential Warranty / 3 Year Commercial Warranty.

Included:

- **Bathtub drain with linear overflow in decorative finishes.**
See back for information.

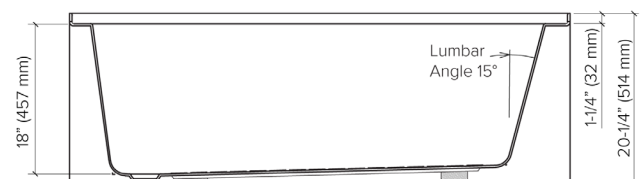
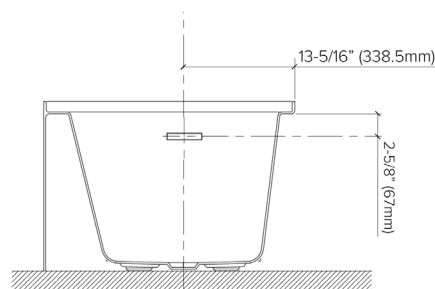
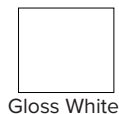
Specified Model

Model	UATLN603020-L/R
Dimensions	60" x 30" x 20-1/4"
Drain Outlet	Left-Hand or Right-Hand
Water Capacity	67.5 gallons
Item Weight	91.8 lbs.
Shipping Weight	92.67 lbs.
Material	Acrylic
Installation	Alcove
Required	Wall mount faucet



To Be Specified:

COLOR	
<input type="checkbox"/>	White
FINISH	
<input type="checkbox"/>	Gloss



Specifications:

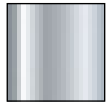
TDL Linear Bathtub Drain with Overflow.
Drain is PVC material.

Finishes:

- PC Polished Chrome
- BN Brushed Nickel
- CB Champagne Bronze
- MB Matte Black

To Be Specified:

	FINISH
<input type="checkbox"/>	PC Polished Chrome
<input type="checkbox"/>	BN Brushed Nickel
<input type="checkbox"/>	CB Champagne Bronze
<input type="checkbox"/>	MB Matte Black



PC



BN



CB



MB

