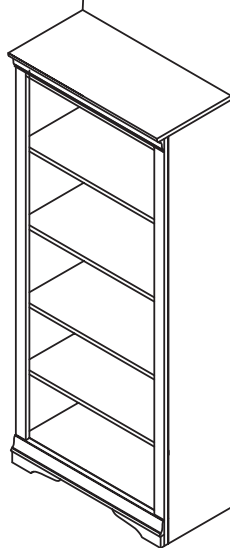
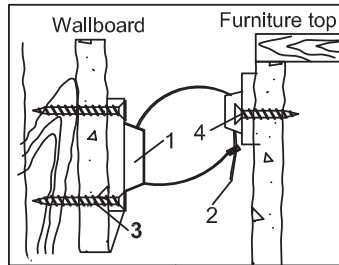


ASSEMBLY INSTRUCTION

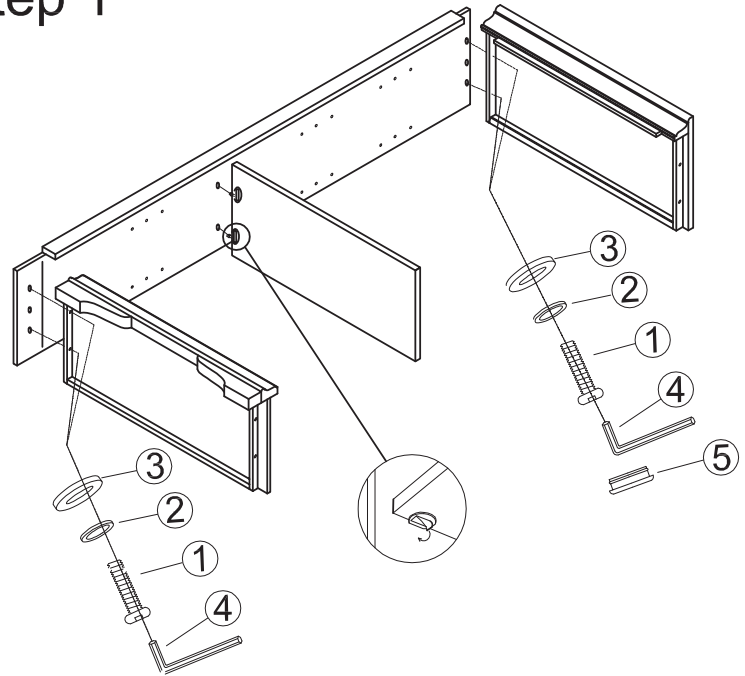
OPEN BOOKCASE

Thank you for purchasing this quality product. Be sure to check all packing material carefully for small parts which may have come loose inside the carton during shipment. Identify, count all parts and compare with below parts list.

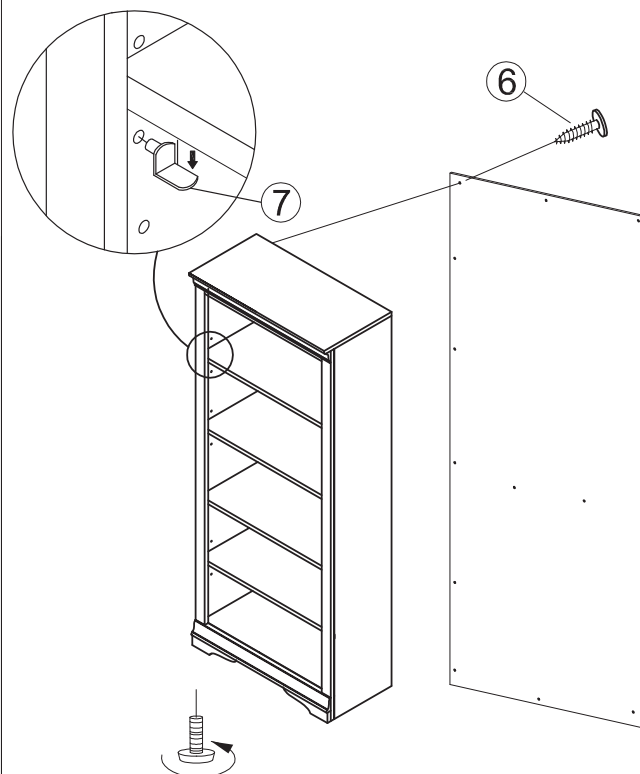
SAFETY BRACKET SET







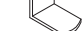


Step 1



Step 2



NO.	HARDWARE	Q'TY
1	 Ø1/4"X1"L Bolt	8 PCS
2	 Ø1/4"X11 Spring Washer	8 PCS
3	 Ø1/4"X16 Flat Washer	8 PCS
4	 Ø1/4" Allen Wrench	1 PC
5	 Ø7/8" Cover	4 PCS
6	 Ø8mmX3/4" Screw	16 PCS
7	 Shelf Pin	12 PCS

Cleaning Instructions: Clean the goods surface with furniture polish and a soft cloth.