

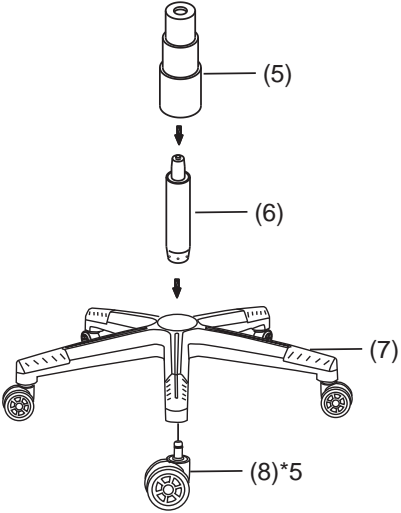
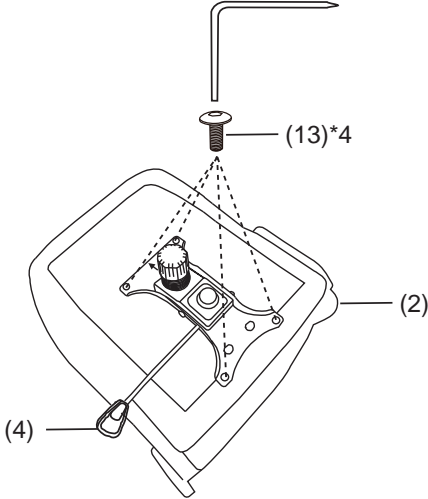
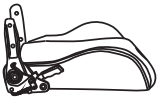

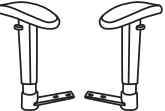

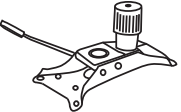



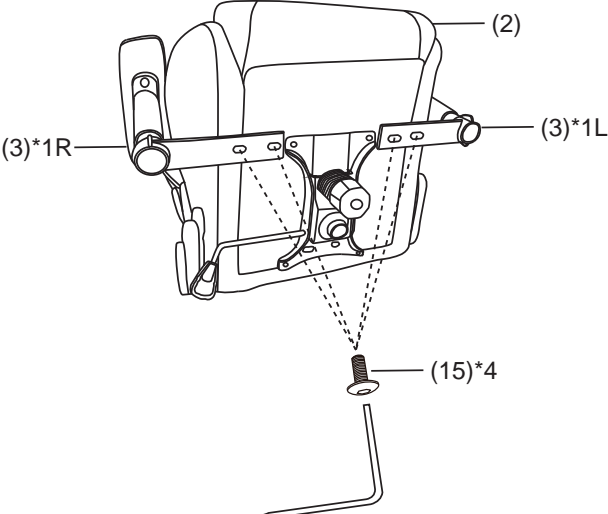
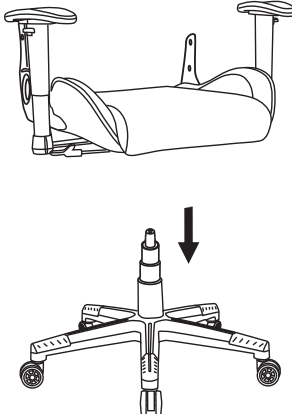
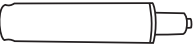

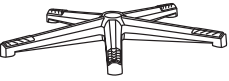
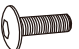




# INSTRUCTION



<p>(1)X1</p> 	<p>(9)X1</p> 		
<p>(2)X1</p> 	<p>(10)X1</p> 		
<p>(3)X1L&amp;1R</p> 	<p>(11)X1</p> 		
<p>(4)X1</p> 	<p>(12)X1</p> 		
<p>(5)X1</p> 	<p>(13)X4</p>  <p>M8*20mm</p>		
<p>(6)X1</p> 	<p>(14)X2</p>  <p>M5*8mm</p>		
<p>(7)X1</p> 	<p>(15)X8</p>  <p>M8*25mm</p>		
<p>(8)X5</p> 	<p>(16)X4</p> 		
	<p>(17)X1</p> 