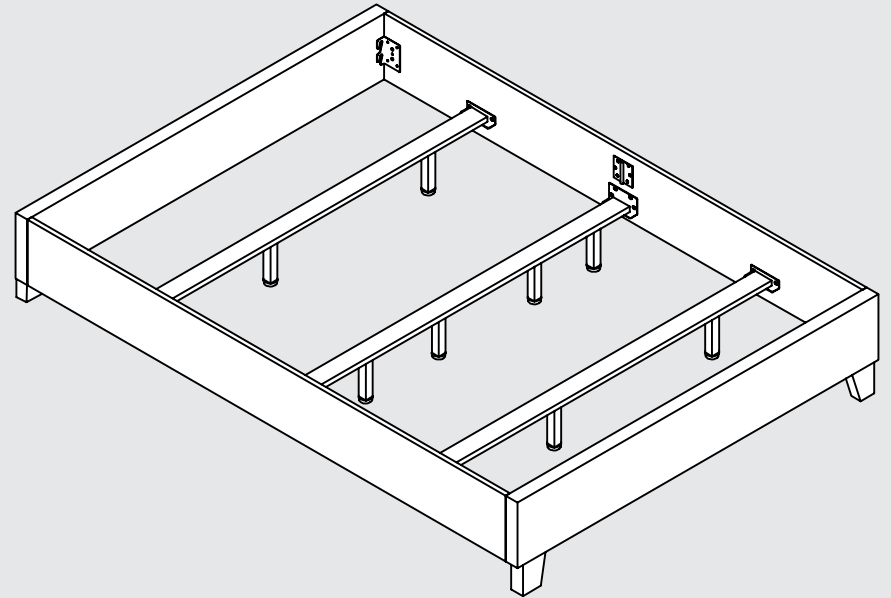


BASIC BED EASTERN KING



ADULT ASSEMBLY REQUIRED

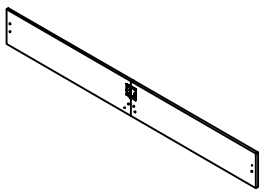
If you are missing any parts or have any questions regarding assembly, do not return this item to the retailers store. Please call our toll-free, customer service number and have this assembly manual open to the parts list ready to provide the model name, number and part name or number.



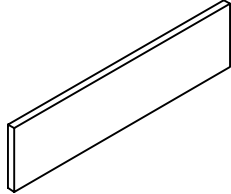
WARNING: This product may contain small components, please ensure they are kept away from small children.

PARTS

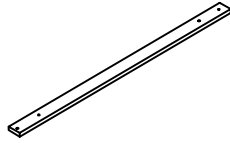
Avoid using sharp objects such as a knife to cut open packing as you may accidentally damage the upholstery.



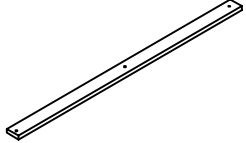
1. Side Rails
2x



2. Headboard & Footboard
2x



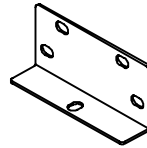
3. Center Support Slat
1x



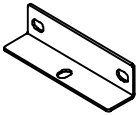
4. Support Slats
2x



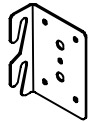
5. Center Support Leg
8x



6. Center Slat Support Bracket
2x



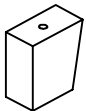
7. Slat Support Bracket
4x



8. Right Side Rail Bracket
2x

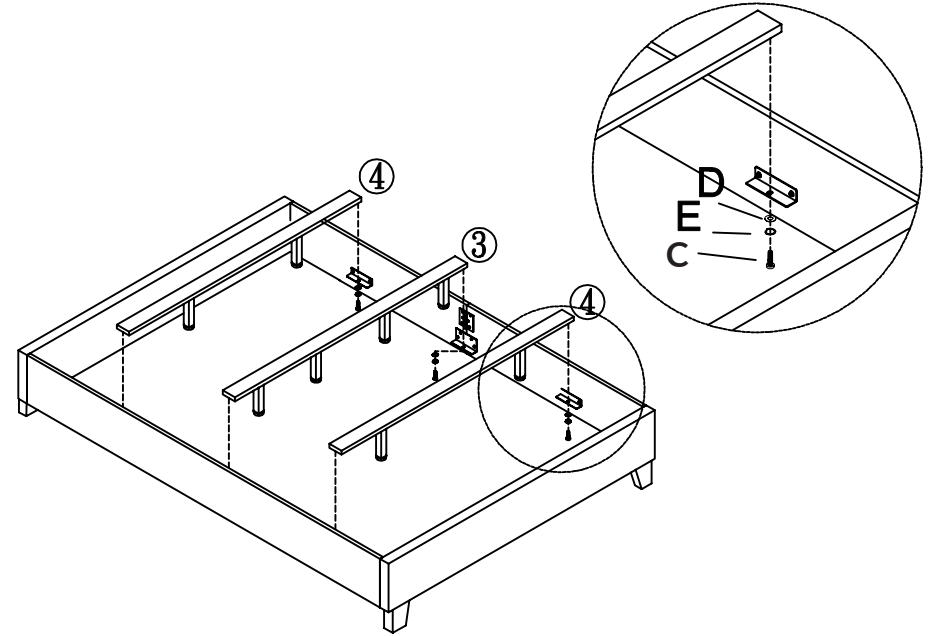


9. Left Side Rail Bracket
2x

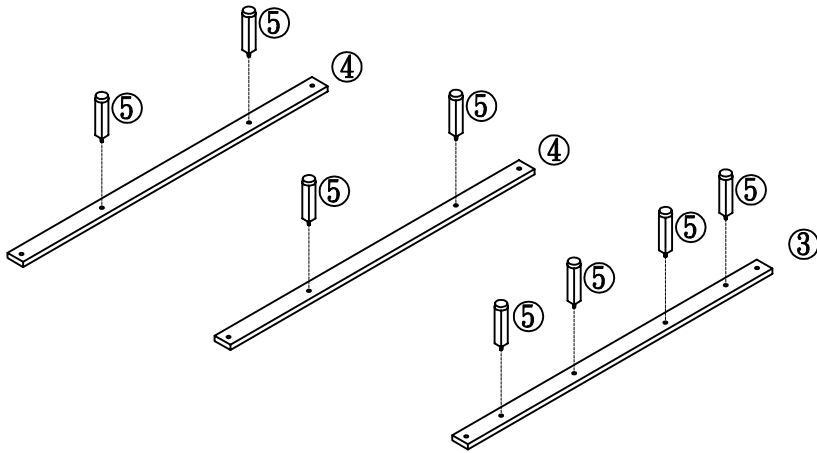


10. Legs
4x

7 Attach Center Support Slat (3) and Support Slats (4) to Side Rails (1) using Bolt (C), Spring Washer (E) and Washer (D). Tighten using provided Allen Key (H).

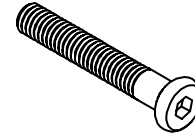


- 5** Attach Center Support Leg (5) to Support Slat (4) and Center Support Slat (3) by hand turning threaded post into insert nut.

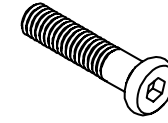


HARDWARE

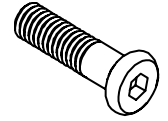
Avoid using sharp objects such as a knife to cut open packing as you may accidentally damage the upholstery.



A. M8x60mm Bolt
4x



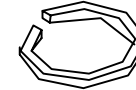
B. M8x25mm Bolt
8x



C. M8x20mm Bolt
30x



D. M8x22mm Washer
38x

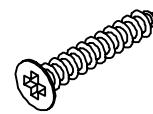
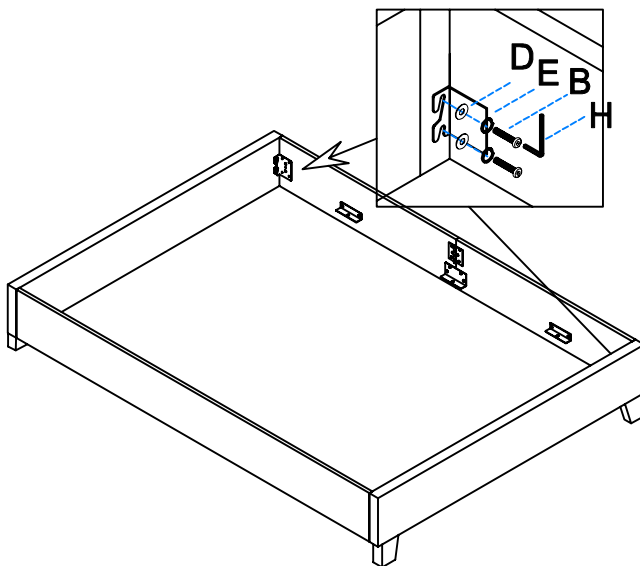


E. Spring Washer
42x

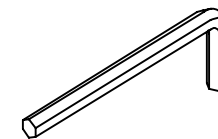


F. M8x19mm Washer
4x

- 6** Attach Side Rails (1) to Headboard and Footboard (2) using Bolt (B), Spring Washer (E) and Washer (D). Tighten using provided Allen Key (H).



G. Screw
16x

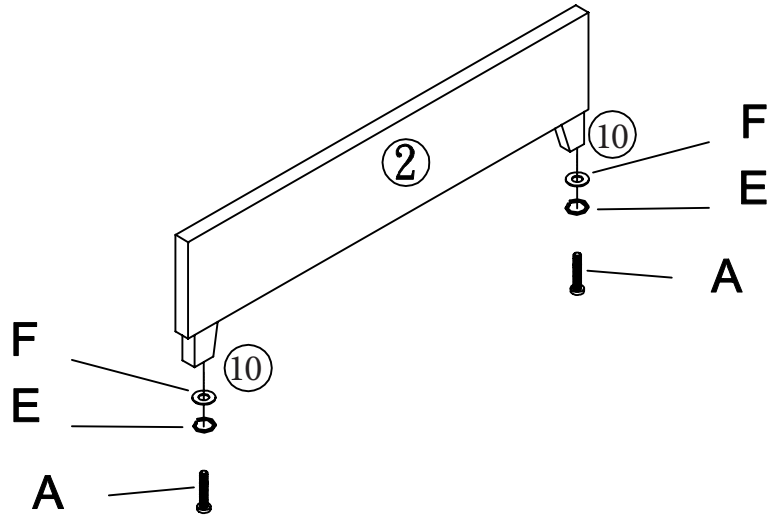


H. Allen Key
1x

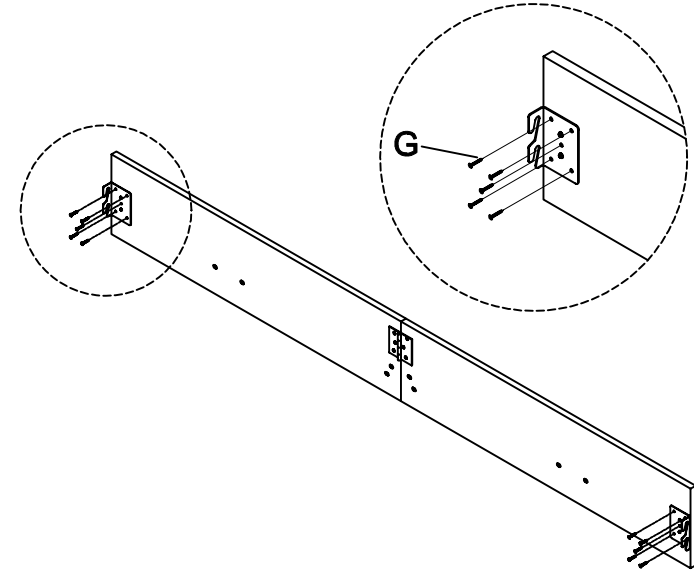
ASSEMBLY INSTRUCTIONS

Do not fully tighten bolts until assembly is complete.

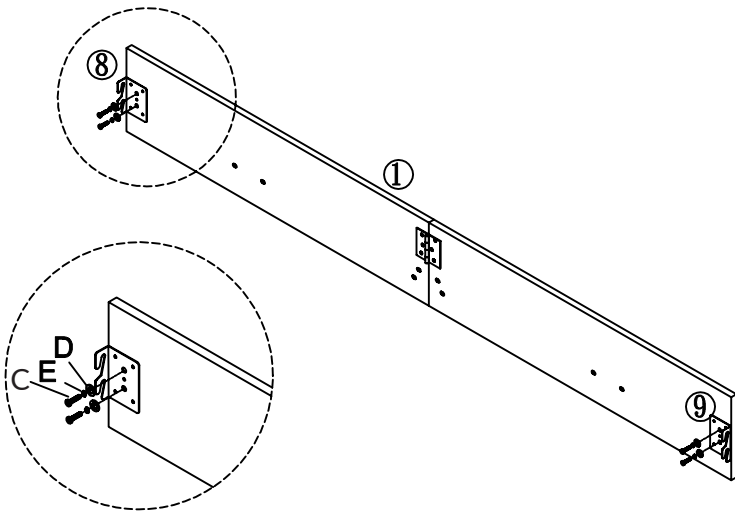
- 1** Attach Legs (10) to Headboard and Footboard (2) using Bolt (A), Spring Washer (E) and Washer (F). Tighten using provided Allen Key (H).



- 3** Secure Right Side Rail Bracket (8) and Left Side Rail Bracket (9) to Side Rails (1) using Screw (G). Tighten using screw driver.



- 2** Attach Right Side Rail Bracket (8) and Left Side Rail Bracket (9) to Side Rails (1) using Bolt (C), Spring Washer (E) and Washer (D). Tighten using provided Allen Key (H).



- 4** Attach Slat Support Bracket (7) and Center Slat Support Bracket (6) to Side Rails (1) using Bolt (C), Spring Washer (E) and Washer (D). Tighten using provided Allen Key (H).

