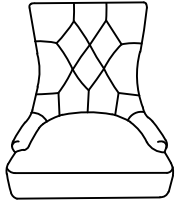
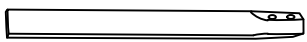


ASSEMBLY INSTRUCTION

A*1



B*2



C*2



D*8



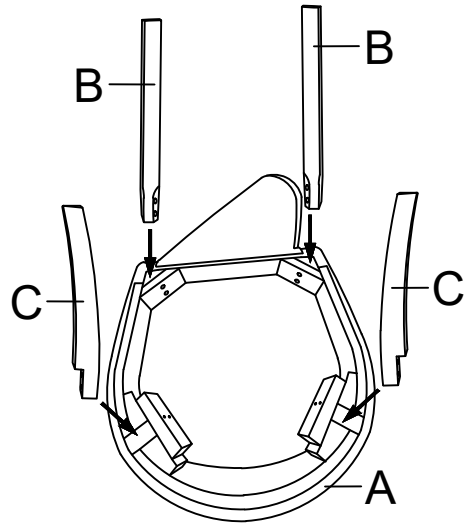
E*8



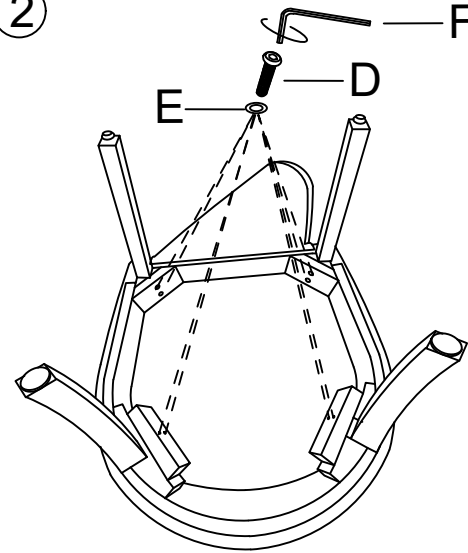
F*1



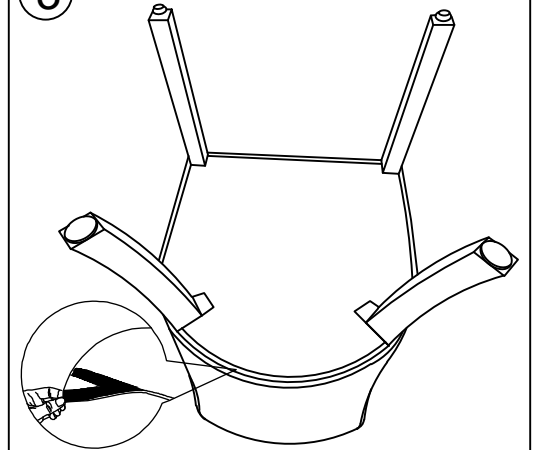
①



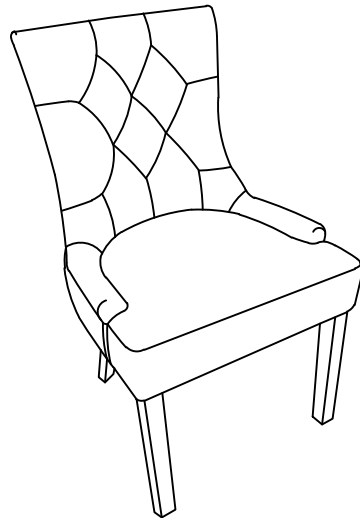
②



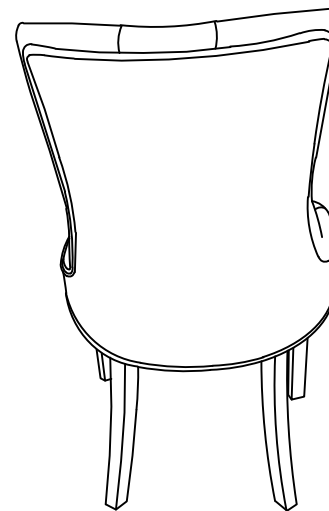
③



④



⑤



⑥

