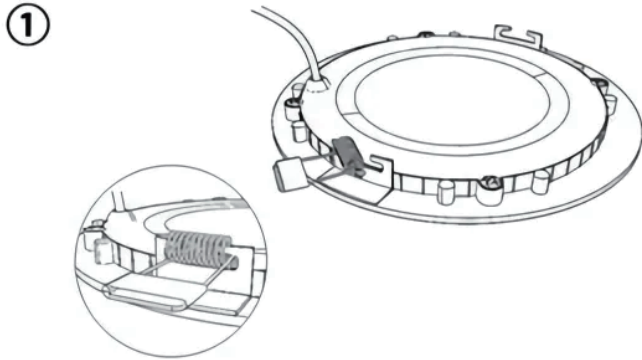
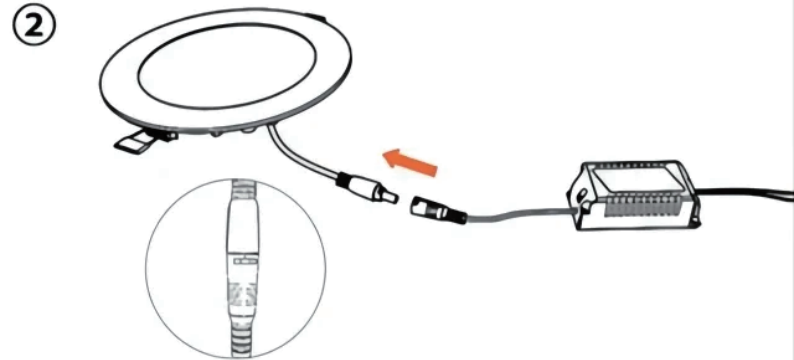


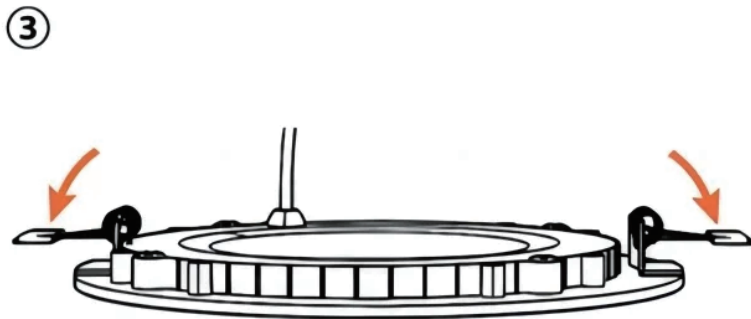
# Installation Instructions



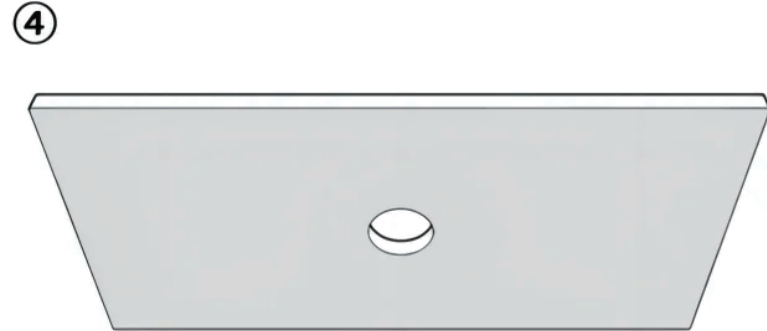
Press the spring clips and insert them into the slots of 2 sides of the ceiling lights.



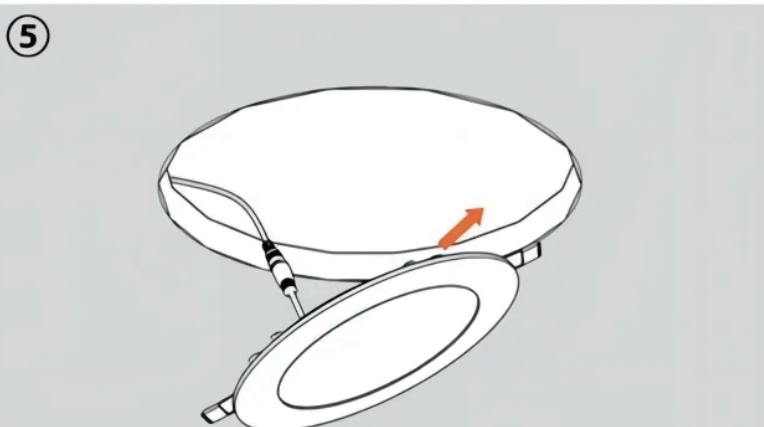
Connect the adaptor to the ceiling lights and rotate either connecting part to secure



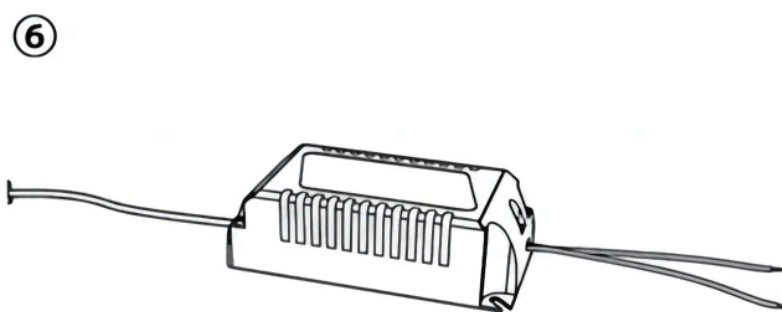
Ensure that the 2 string clips on 2 sides of ceiling lights are snapped in place



Refer to the specification table for details about hole for installation.



Lean ceiling lights into the ceiling hole.



Connect the null wire (blue) and live wire (brown) on the adaptor to your null and live wire.