

# Assembly Instruction

---

## Nantucket Outdoor Arm Chair

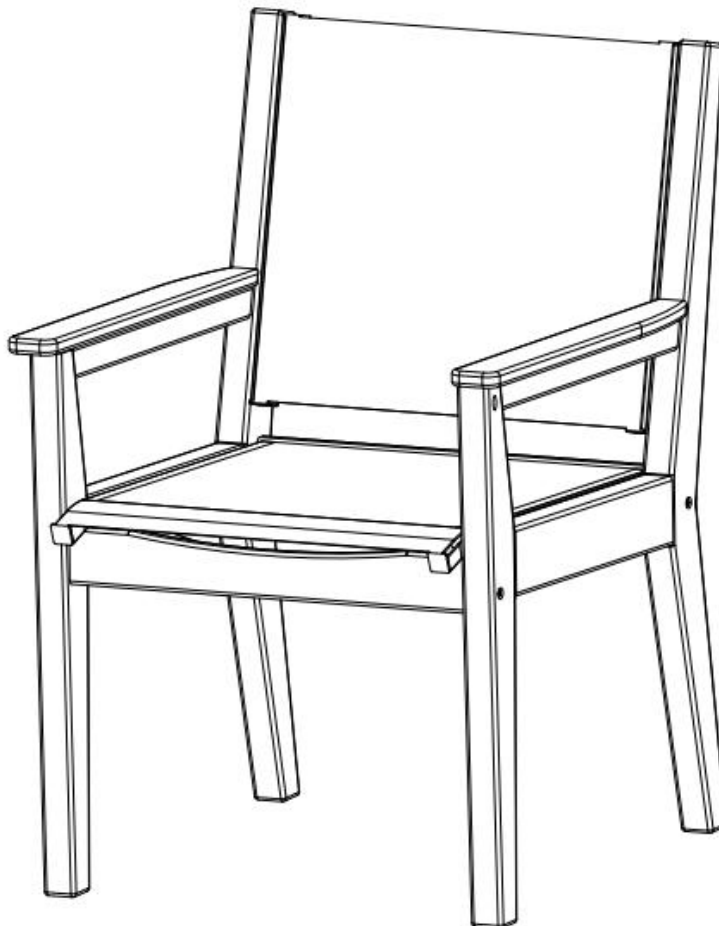
Your furniture requires assembly prior to use. It is important that you read the entire assembly instructions to become familiar with the unit before you set up this product.

### **Safety Warning and Precautions**

**WARNING:** When setting up your furniture, basic precautions should always be followed to reduce risk of personal injury and damage to the product.

Read all instructions before assembly and usage this product.






1. Select ideal location. Set out all parts on a clear and level surface prior to assembly. Ideally, the furniture should be set up in the desired location to avoid moving it after assembly.
2. Use caution. During all the processes of assembling, especially when lifting heavy or large parts, pay attention to safety.
3. Tools and Assistance. An adjustable spanner is required for assembly. It is recommended 2 people assist with assembly.
4. Check all parts before assembling, ensure you have all parts detailed in the parts list on Page 2.
5. Refer to assembly diagram. During assembly, refer to the assembly instructions on following pages.
6. Caution. Keep children away from work area during assembly. Do not allow children to handle parts or tools while assembling.

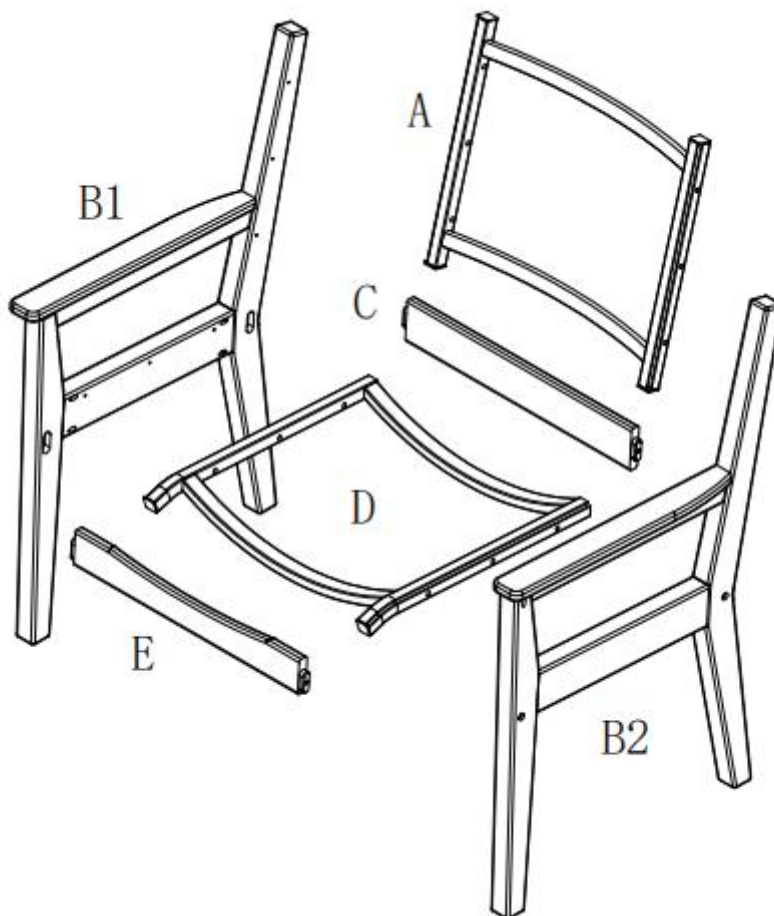
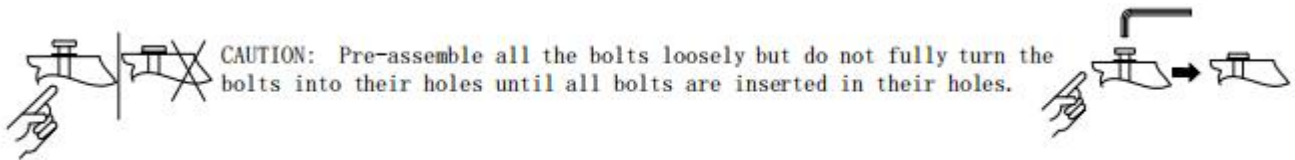


# Assembly Instruction

## Nantucket Outdoor Arm Chair

### FITTINGS IDENTIFICATION

Part #	M685	M665	M649	X	Z
Description:	Screw M6*85	Screw M6*65	Screw M6*49	Gasket	Allen Wrench
Figure:	 M6*85	 M6*65	 M6*49	 Ø14*Ø6.5*1.0	
Qty:	2PCS	2PCS	12PCS	12PCS	1PCS

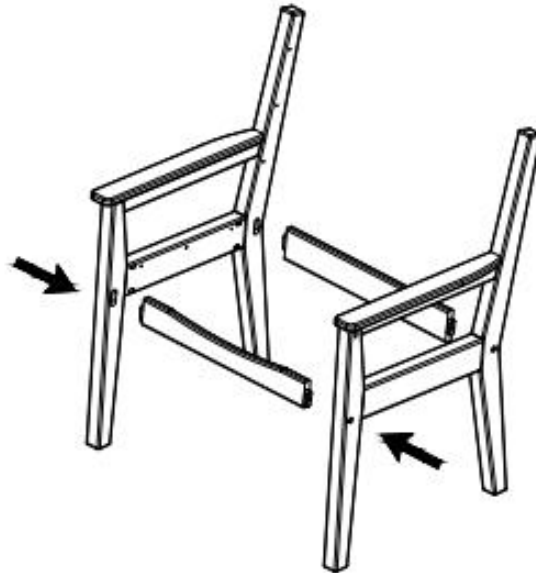


# Assembly Instruction

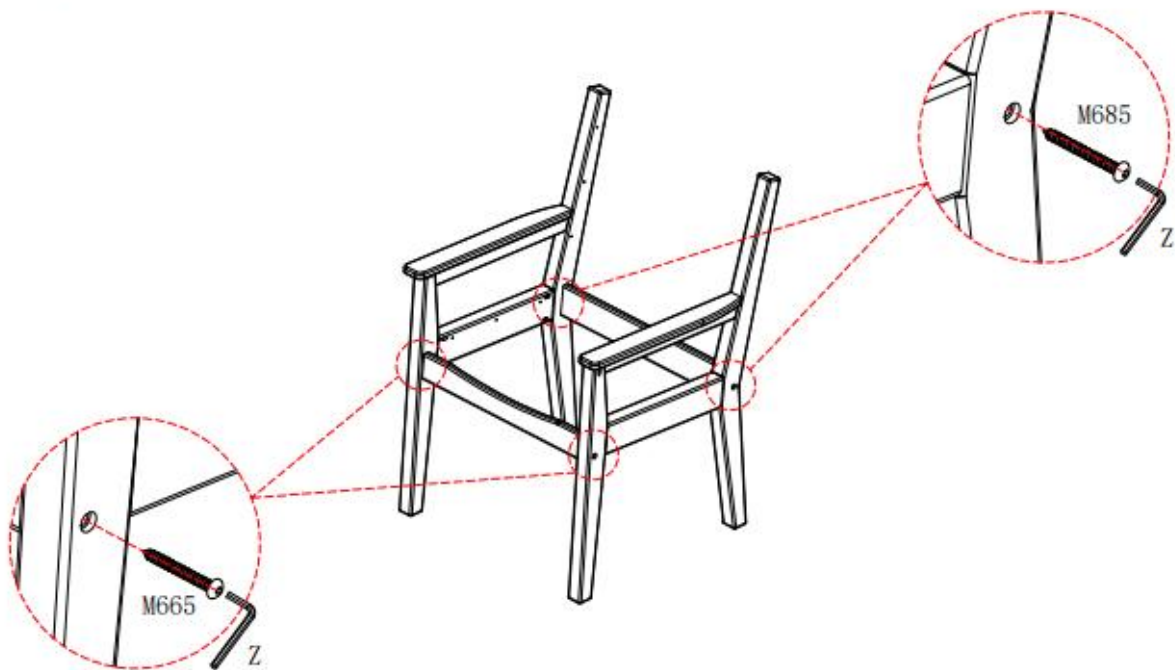
---

## Nantucket Outdoor Arm Chair

### STEP 1



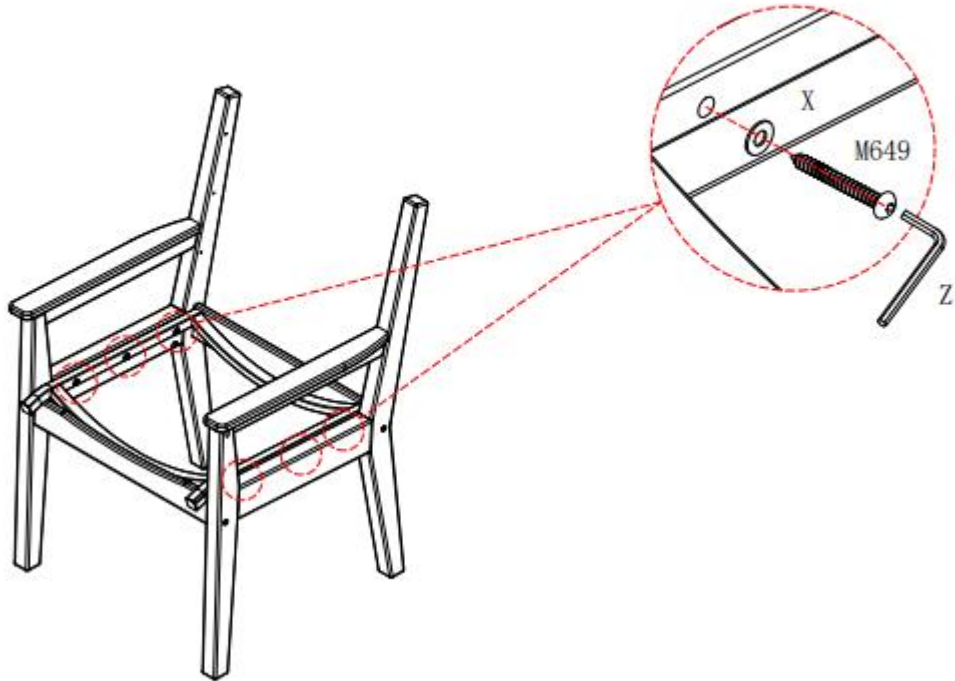
### STEP 2



# Assembly Instruction

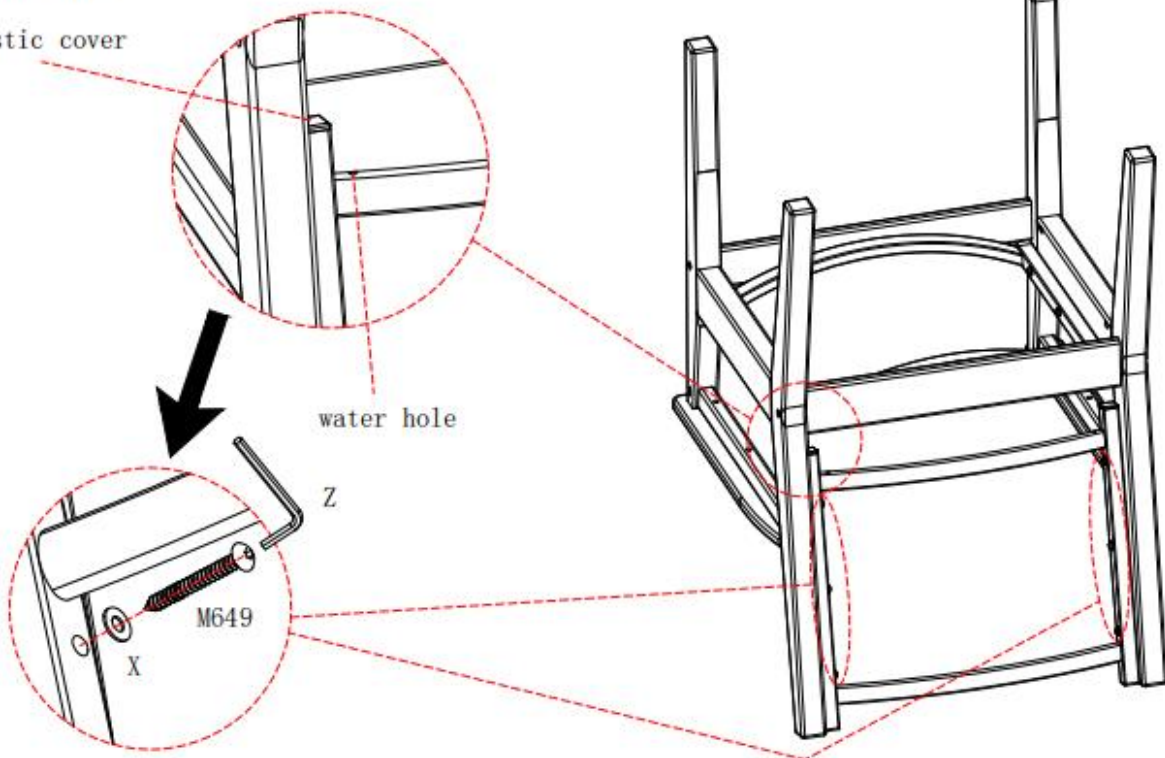
## Nantucket Outdoor Arm Chair

### STEP 3



### STEP 4

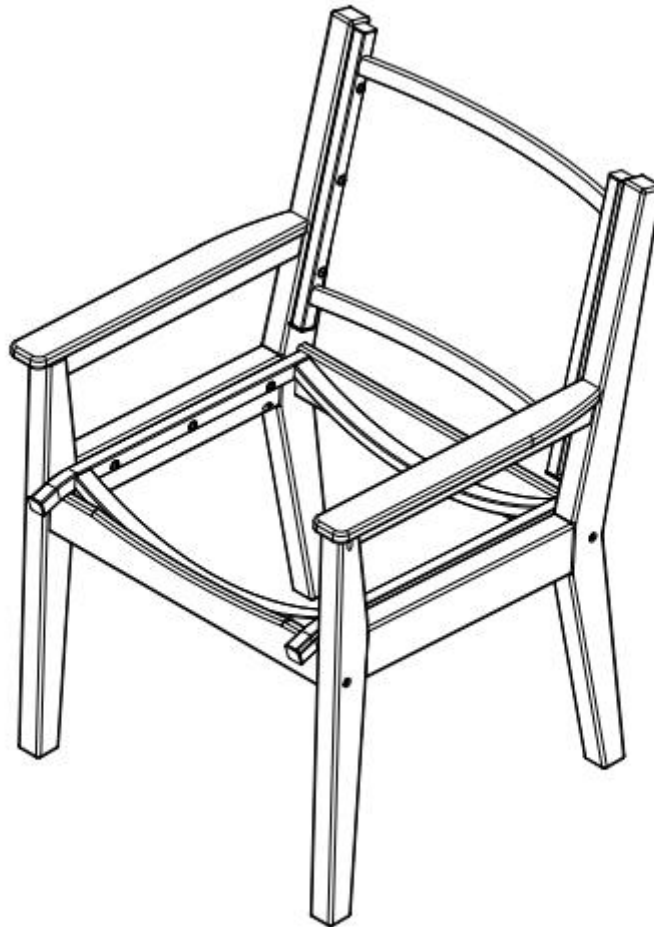
plastic cover



# Assembly Instruction

---

## Nantucket Outdoor Arm Chair



### Steps:

1. Insert the Front connecting Rod (Part C) and Back connecting Rod (Part E) into the Right Armrest Frame (Part B1) and Left Armrest Frame (Part B2).
2. Fasten the Right and Left Armrest Frames with M6\*85 & M6\*65 (Part M685 & M665) by using Allen Wrench (Part Z)
3. Attach the Seat Panel (Part D) to the Right and Left Armrest Frame ( Part B1 and B2) with with Screw M6\*49 (Part M649) and Gasket (Part X) by using Allen Wrench (Part Z).
4. Attach the Back Panel (Part A) to the Right and Left Armrest Frame ( Part B1 and B2) with with Screw M6\*49 (Part M649) and Gasket (Part X) by using Allen Wrench (Part Z).

Tighten all screws. Your chair is ready to use. (Note: Pre-assemble all the bolts loosely but do not fully turn the bolts into their holes until all bolts are inserted in their holes.)

Periodically check and make sure that all screws are fully tightened.