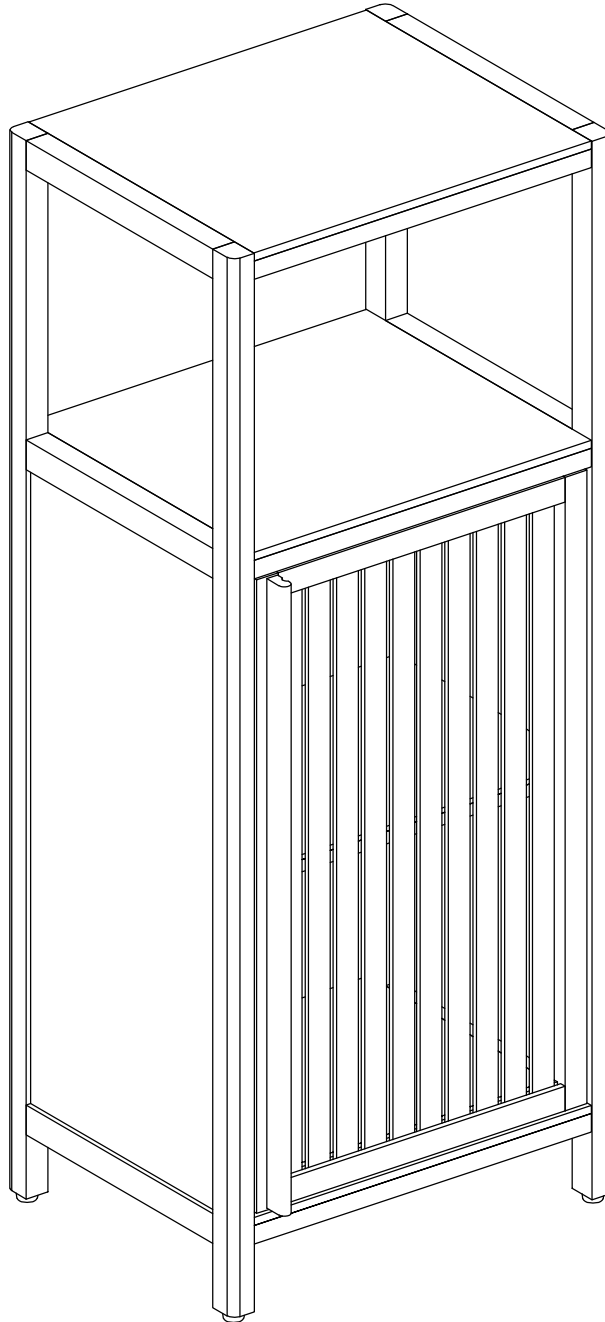


BAMBOO FLOOR CABINET ONE DOOR WITH STORAGE



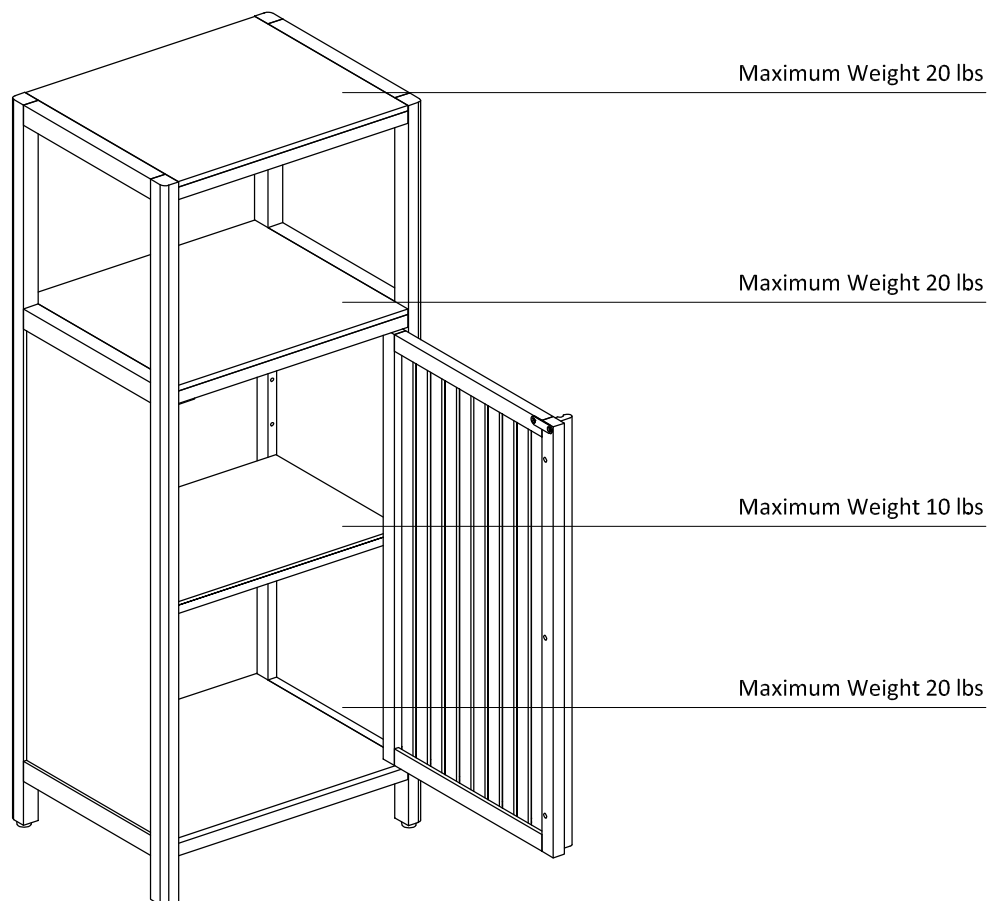
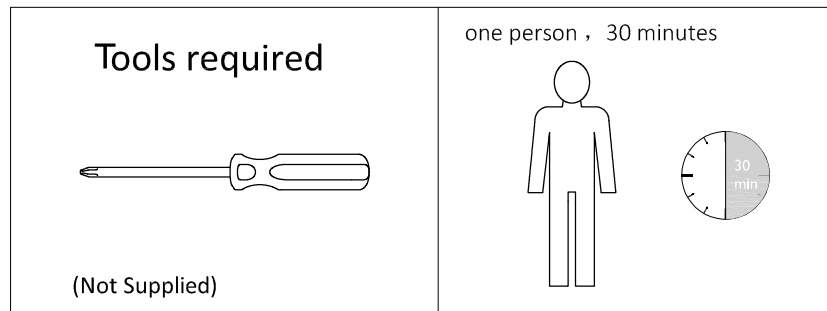
Getting started

Thank you for purchasing **this product**. Read the instructions and warnings carefully before use, to ensure safe and satisfactory operation of this product.

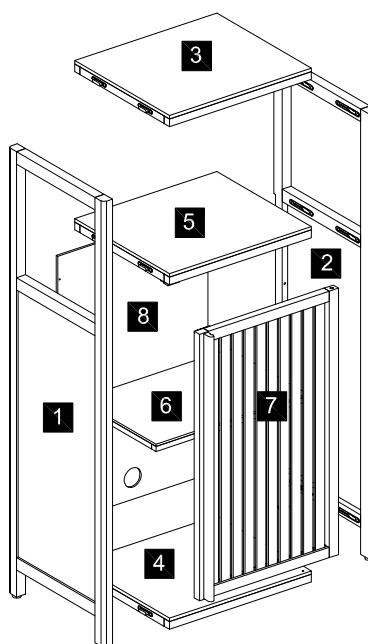


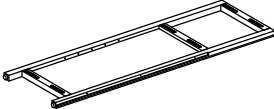
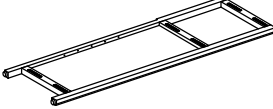


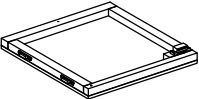
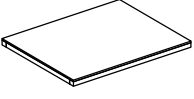
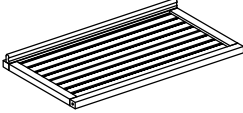
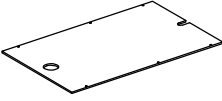
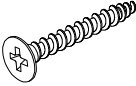
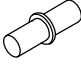
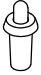
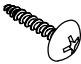
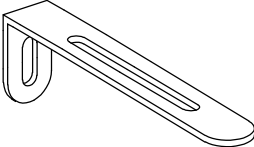
WARNING

- Do not let any sharp objects touch or rub the surface of the product.
- When assembling, do not let children play around the working area.
- Please confirm all parts are correct before starting the assembly process.
- Do not tighten all bolts and screws completely until the entire unit has been assembled and set up.
- **DO NOT USE POWER TOOLS.**
- Power tools can over tighten screws and strip threads.
- For each screw:
 1. Tighten each screw until you meet resistance.
 2. Tighten one additional full rotation. **DO NOT OVER TIGHTEN.**



Fittings and parts checklist



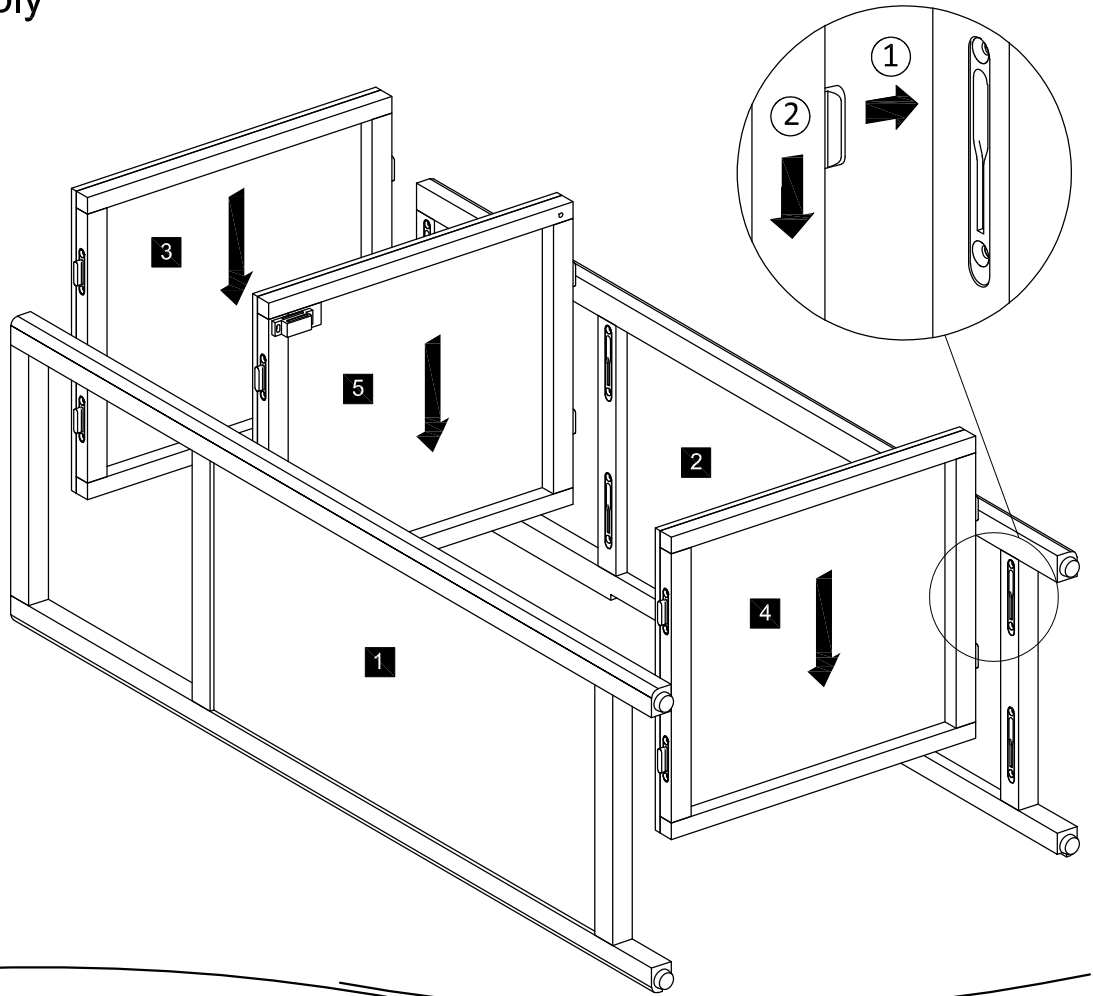
No.	Picture	Name	Qty	No.	Picture	Name	Qty
1		Left side frame	1	2		Right side frame	1
3		Top panel	1	4		Bottom panel	1
5		Fixed shelf	1	6		Adjustable shelf	1
7		Door	1	8		Back panel	1
A		Screw	6	B		Shelf Support	4
C		Pin	3 (One spare)	D		Screw	1
E		Metal 'L' Bracket	1				

Product assembly

Step 1

Parts, fittings and tools

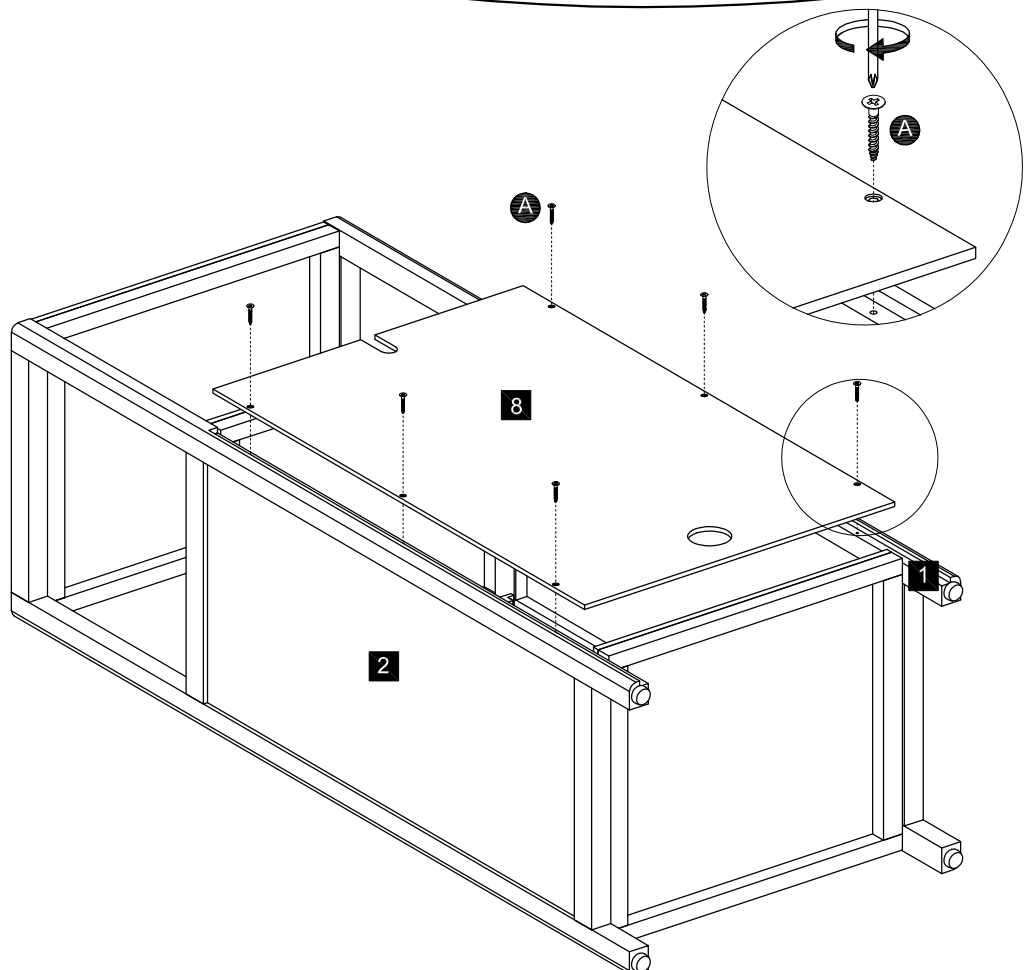
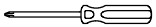
- 1
- 2
- 3
- 4
- 5



Step 2

Parts, fittings and tools

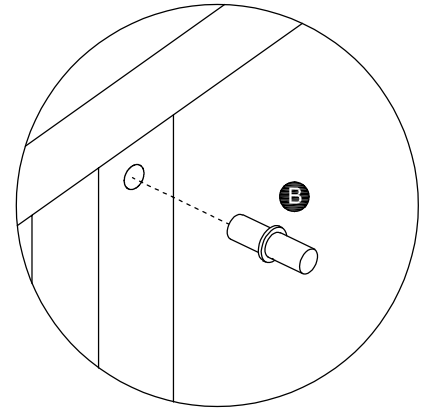
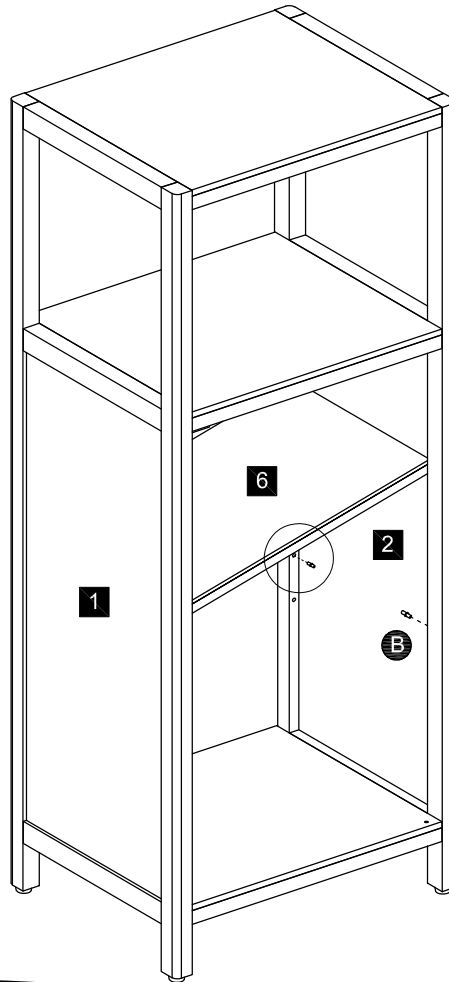
- 1
- 2
- 8



Step 3

Parts, fittings and tools

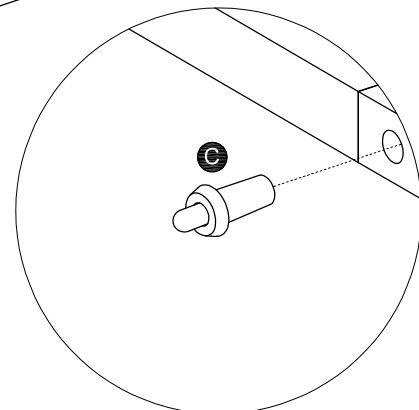
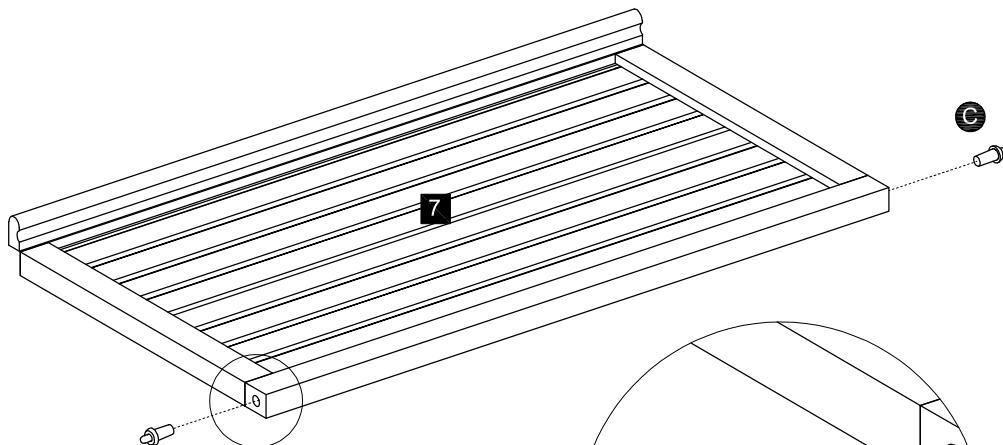
1 2 6 B



Step 4

Parts, fittings and tools

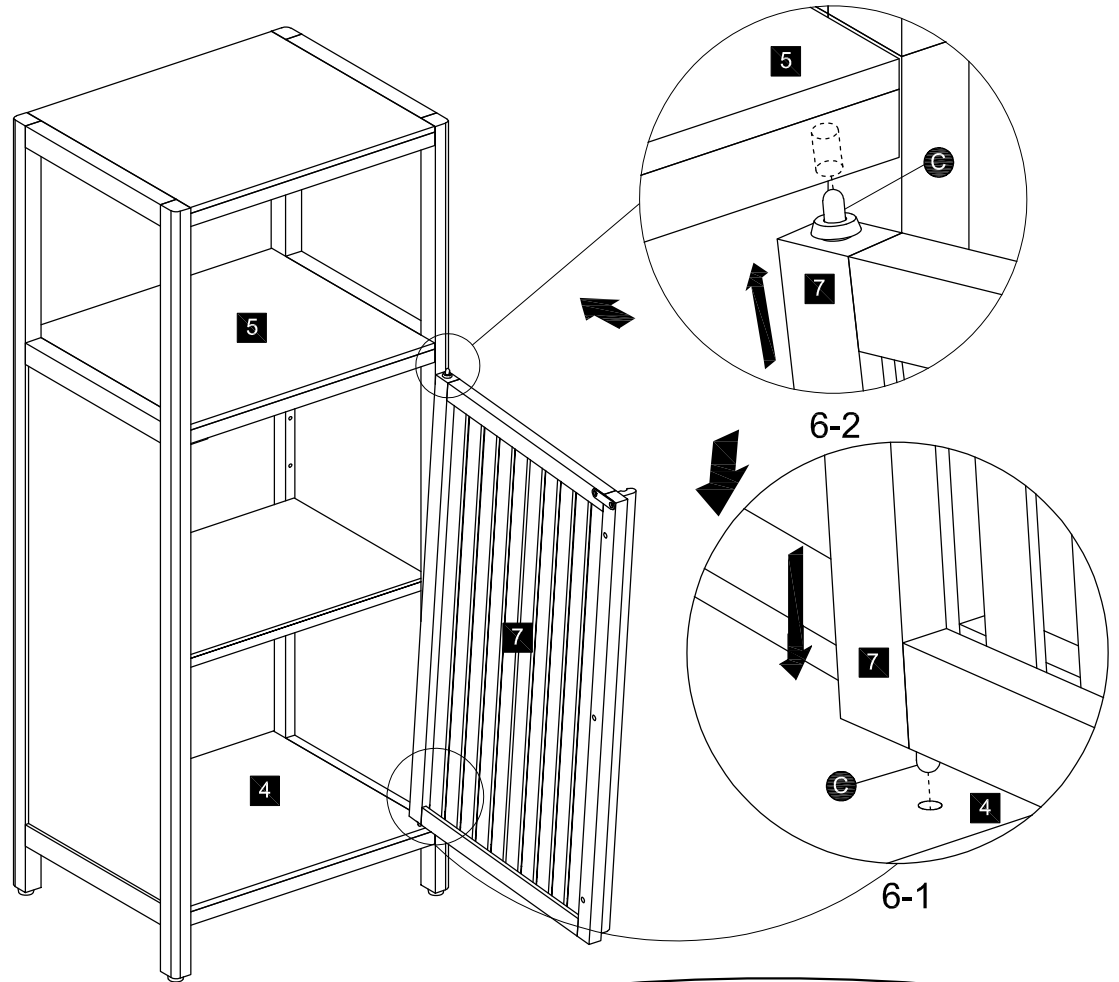
7 C



Step 5

Parts, fittings and tools

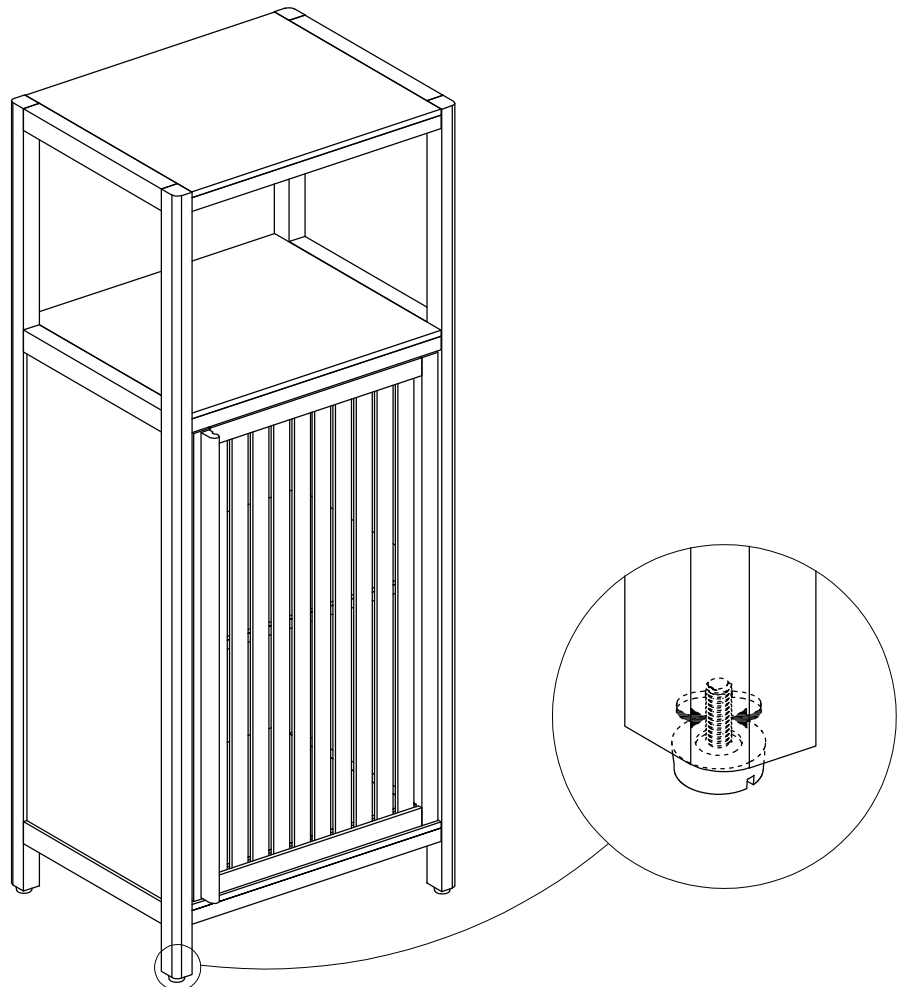
4 5 7



Step 6

Parts, fittings and tools

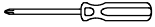
Use adjustable leveler if necessary.



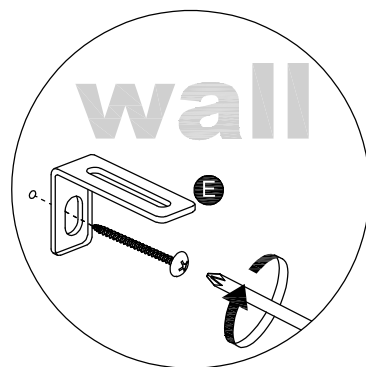
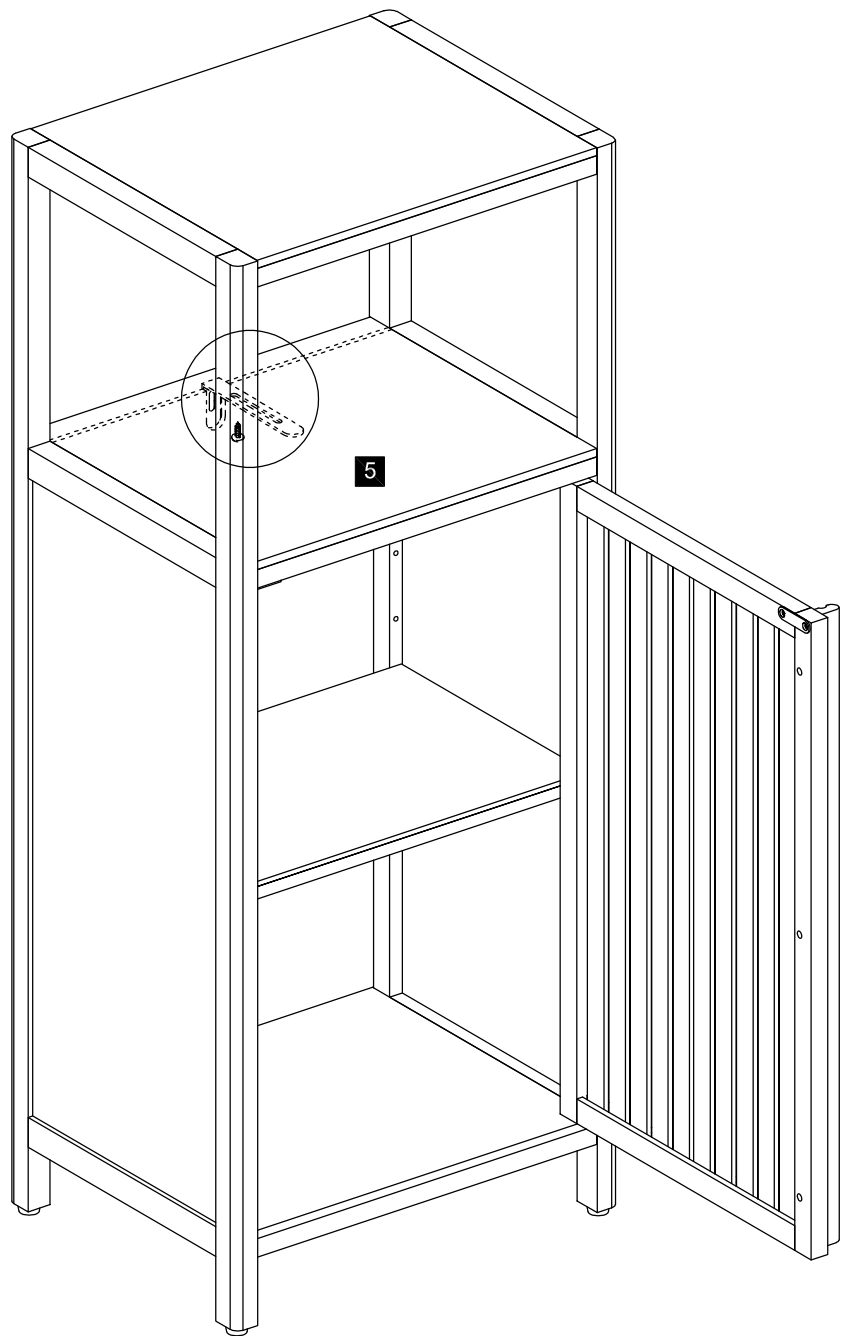
Step 7

Parts, fittings and tools

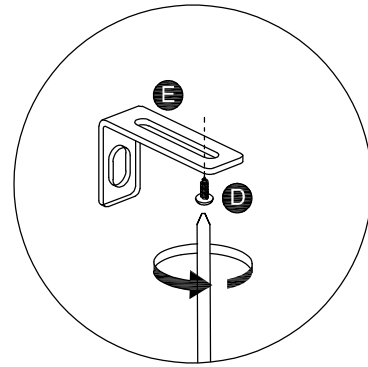
5 D E



PLEASE NOTE: For your safety, to prevent the danger of this unit tipping over, it is important to attach the "L" shaped bracket to the wall using the correct wall fixing.



7-1



7-2