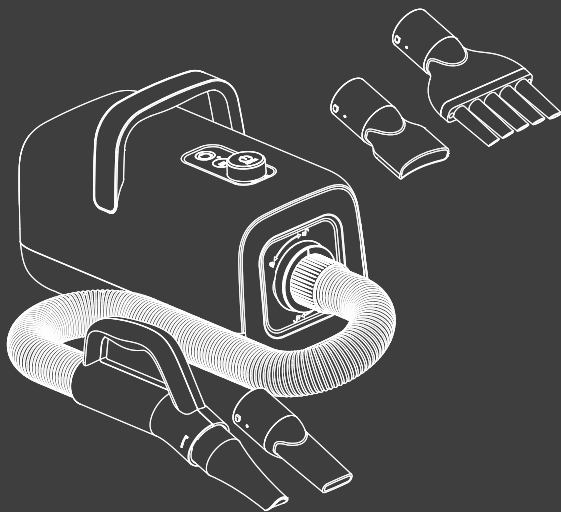


# Pet Grooming Blower

## Instruction Manual

CW-CSJ-5JT



✉ [HJ-Customer-Service@outlook.com](mailto:HJ-Customer-Service@outlook.com)

☎ (909)637-7665 | (909)637-7593

EST 9:00AM--17:00PM

# CONTENTS

SAFETY INSTRUCTIONS	02
PRODUCT PRECAUTIONS	03
PACKAGE LIST	04
PRODUCT INSTALLATION	05
INSTRUCTIONS FOR USE	06
CLEANING AND MAINTENANCE	08
PRODUCT SPECIFICATIONS	09
TROUBLESHOOTING	09
AFTER-SALES SUPPORT	11

# SAFETY INSTRUCTIONS

---

- This product must be used at the specified rated voltage and frequency.
- To avoid accidents, do not use this product near flammable materials, gases, heat sources, open flames, or in other high-temperature environments.
- During operation, do not block the air intake or outlet with fingers or any other objects.
- After use, clean the blower to prevent the buildup of grease or other residues.
- Clean the air inlet regularly to ensure unobstructed airflow.
- Never leave the blower unattended while it is running. After use or in case of a power outage, switch off the power and unplug the unit from the outlet.
- Avoid dropping the blower or subjecting it to strong impacts.
- To prevent accidents, do not use third-party accessories with this blower.
- Inspect the power cord regularly. If the plug, cord, or the blower itself is damaged, discontinue use immediately.
- This blower is not intended for use by persons (including children) with reduced physical, sensory, or mental capabilities, or lack of experience and knowledge, unless they are supervised or instructed by a person responsible for their safety.
- Keep the blower out of the reach of children and do not allow them to play with it.
- Do not use benzene, paint thinners, or other solvents to clean the blower, as they may damage the surface or pose safety risks.
- If the blower malfunctions or exhibits unusual behavior, refer to the troubleshooting section of this manual. Do not attempt to disassemble the blower under any circumstances.
- Keep the blower away from water and do not use it outdoors or on wet or damp surfaces.
- For additional protection, it is recommended to install a Residual Current Device (RCD) in the bathroom's power supply circuit, with a rated residual operating current not exceeding 30mA. Consult a qualified electrician for installation.
- If the power cord is damaged, do not attempt to replace it yourself. Please contact our after-sales service or consult a qualified technician for assistance.
- If used in the bathroom, unplug the power cord after use because there is still a risk of contact with water even when the product is powered off.
- The label on the blower states: "Do not use while bathing or showering." Additionally, do not use the blower near water-filled containers such as bathtubs or washbasins, and never operate it with wet hands.

# PRODUCT PRECAUTIONS

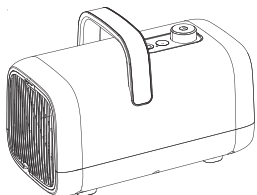
---

- To prevent electric shock, do not use this product in excessively damp environments or immerse it in water.
- Do not touch the plug or operate it with wet hands.
- Before each use, ensure that the air outlet hose and all connectors are securely fastened to prevent air leakage, which may affect performance.
- Before use, hold the air outlet hose handle firmly and adjust the air speed to prevent the nozzle from moving erratically.
- Due to the high air speed of this blower, do not direct the nozzle towards people or objects to avoid injury or damage.
- After use, turn off the airflow and wait for the blower, to stop completely before placing the nozzle and hose down.
- Do not block the air outlet or inlet while the blower is in operation to prevent the motor from overheating or becoming damaged.
- Clean the filter only after unplugging the unit.
- The main unit is not washable and should not be exposed to direct sunlight. After unplugging the unit, wipe it with a dry cloth.
- If the pet shows signs of discomfort during drying, reduce the temperature and air speed. If discomfort persists, stop using the device immediately.
- It is recommended that the maximum usage time for the high-temperature setting should not exceed 3 hours.

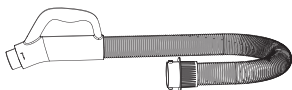
# PACKAGE LIST

---

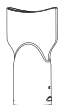
After opening the packaging, check that the product is undamaged and that all accessories are included, as shown below.



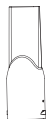
Pet Grooming Blower Main Unit\*1



Air Outlet Hose\*1



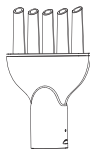
Wide Flat Nozzle\*1



Flat Nozzle\*1



Round Nozzle\*1



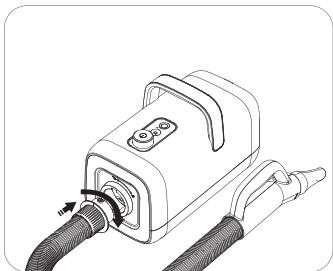
Comb Nozzle\*1



Product User Manual\*1

# PRODUCT INSTALLATION

---



## STEP 1

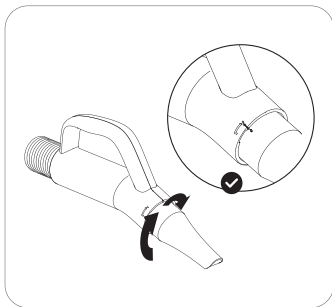
### **Install the air outlet hose:**

Align the air outlet hose with the unlocked position on the main unit, then rotate it clockwise to secure it in place.

## STEP 2

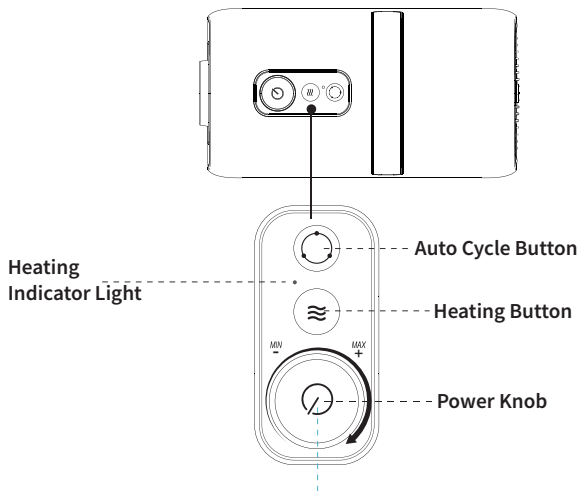
### **Install the air nozzle:**

Select the appropriate nozzle based on your drying needs. Insert the air nozzle into the hose handle and turn it clockwise until it locks into place.



# INSTRUCTIONS FOR USE

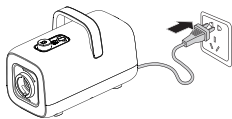
---



Turn clockwise to power on. Wind speed increases with the rotation angle.

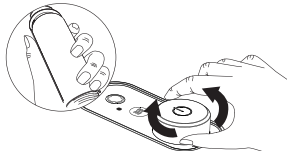
## 1. Connect the Power

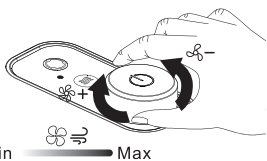
Plug the power cord into a suitable power outlet.



## 2. Power On

Turn the power knob clockwise to switch on the device.





### 3. Adjust Wind Speed

Rotate the knob clockwise to increase wind speed, or counterclockwise to decrease it.

### 4. Adjust The Temperature

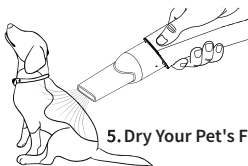
Indicator Light

Orange: Warm Air  
Red: Hot Air  
White: Heating Off

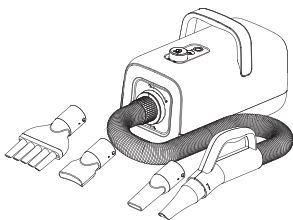


Press the heating button (☐) to enable heating. Each press cycles through the following modes: Warm Air → Hot Air → Heating off.

Press the auto cycle button (⊞) to automatically cycle between Warm Air, Hot Air, and Natural Air.



### 5. Dry Your Pet's Fur



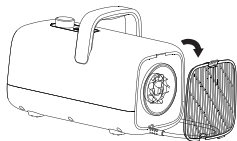
### 6. Storage And Organization

Unplug the power cord and properly store all components of the blower.

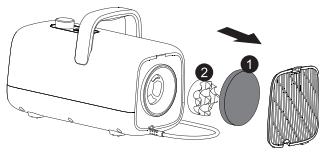
# CLEANING AND MAINTENANCE

---

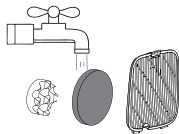
**1. Open the filter cover.**



**2. Take out the inner and outer filter pads.**



**3. Rinse the filter pads and related components with clean water or mild detergent.**



**4. Let all parts air dry thoroughly in a cool, ventilated place before reassembly.**



## **⚠ Attention:**

- For your pet's health, regularly clean the filter and related components.
- Always disconnect the power supply before cleaning.
- Do not wash the main unit with water. Wipe the surface with a dry cloth only.
- Make sure the filter pads and related components are completely dry before reinstallation.
- Moisture inside the unit may cause electric shock or damage the device.

# PRODUCT SPECIFICATIONS

Rated Power	1700W
Rated Voltage	120V~
Rated Frequency	60Hz
Wind Speed Adjustment	Stepless Adjustment
Heating Levels	2 levels
Main Unit Dimensions	321*170*224mm/12.63*6.69*8.82in
Power Cord Length	2m/6.56ft
Net Weight	Approx.3.8kg/8.38lb
Suitable for Pets	Cats, Dogs

# TROUBLESHOOTING

Problem	Solution
The machine does not respond.	<ul style="list-style-type: none"><li>● Unplug the power cord for 10 seconds, then plug it back in and turn on the device.</li><li>● Ensure that the power outlet is working properly.</li><li>● Check whether the power cord and plug are damaged.</li><li>● If the problem persists, please contact after-sales service for assistance.</li></ul>
The wind speed cannot be adjusted.	<ul style="list-style-type: none"><li>● Unplug the power cord for 10 seconds, then plug it back in and turn on the device.</li><li>● Ensure the power knob has been turned to switch on the device.</li><li>● Check whether the wind speed knob has been turned in the correct direction (clockwise to increase).</li><li>● If the problem persists, please contact after-sales service for assistance.</li></ul>
Low air output speed.	<ul style="list-style-type: none"><li>● Unplug the power cord for 10 seconds, then plug it back in and restart the device.</li><li>● Make sure the wind speed knob is turned up to a higher setting.</li><li>● Check whether the air outlet, nozzle, or air intake filter is blocked.</li></ul>

	<ul style="list-style-type: none"> <li>● Inspect all connections, including the air outlet hose and nozzle joints for possible air leakage.</li> <li>● Ensure that the machine is operating under stable and sufficient voltage.</li> <li>● If the problem persists, please contact after-sales service for assistance.</li> </ul>
The machine does not emit hot air.	<ul style="list-style-type: none"> <li>● Unplug the power cord for 10 seconds, then plug it back in and restart the device.</li> <li>● Make sure the heating mode is enabled by pressing the heating button.</li> <li>● If the problem persists, please contact after-sales service for assistance.</li> </ul>
Low air output temperature.	<ul style="list-style-type: none"> <li>● Unplug the power cord for 10 seconds, then plug it back in and restart the device.</li> <li>● Make sure the heating mode is enabled and switched to a higher level.</li> <li>● Check whether the ambient temperature is too low, which may affect heating efficiency.</li> <li>● Ensure the input voltage is stable and meets the rated requirement.</li> <li>● If the problem persists, please contact after-sales service for assistance.</li> </ul>
Significant noise or abnormal sound.	<ul style="list-style-type: none"> <li>● Check whether the filter pads and air intake components are correctly installed and not missing.</li> <li>● Check for any foreign objects that may have entered the machine.</li> <li>● Ensure the air inlet and outlet are free from obstructions.</li> <li>● If the issue persists, please contact after-sales service for support.</li> </ul>
Obvious air leakage.	<ul style="list-style-type: none"> <li>● Check whether the connections at both ends of the air outlet hose are securely fastened.</li> <li>● Inspect the hose, connectors, and nozzles for signs of damage.</li> <li>● Ensure that the nozzle and outlet connectors are properly aligned and installed according to the markings.</li> </ul>

# AFTER-SALES SUPPORT

---

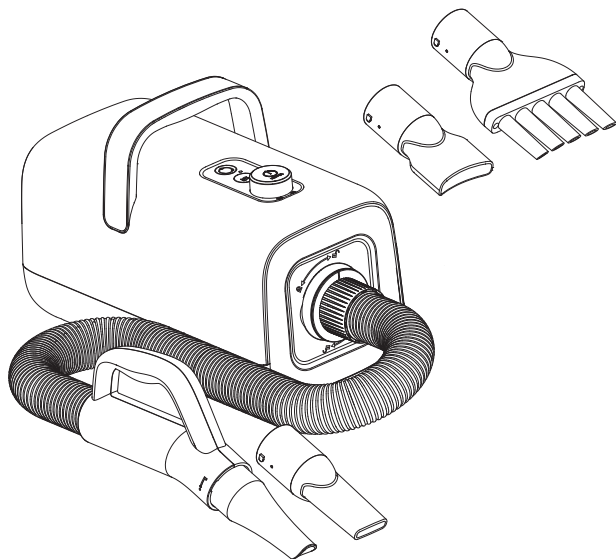
Your Pet Grooming Blower comes with a standard 1-year warranty. If you experience any issues with your product, please feel free to contact us. To help us assist you efficiently, include the following in your message:

- Proof of purchase
- Product model number
- Relevant photos or videos showing the issue

Please note:

- This warranty does not apply to used products or purchases made from unauthorized sellers.
- The warranty does not cover consumable parts such as blades, guards, filters, brushes, and other similar components that may require regular replacement or maintenance.

Thank you for choosing our product.



## Technical Support

(909)637-7665 | (909)637-7593

## Other Info

[HJ-Customer-Service@outlook.com](mailto:HJ-Customer-Service@outlook.com)

Thank you for choosing this product. We strive to provide you with the best quality products and services in the industry. Should you have any issues, please don't hesitate to contact us.