

4'6" Full & 5' Queen

Assembly Instruction

A  Headboard 1pc


B  Footboard 1pc

C  Side Rail 4pcs


D  Headboard Legs 2pcs


E  Footboard Legs 2pcs


F  Side Rail Legs 2pcs


G  Side Rail Support Wood 4pcs


H  Slat 4pcs


I  Support Legs 4pcs

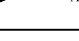
J  JCBB M8 x 20 8pcs

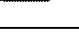
K  JCBC M6 x 30 20 pcs


L  JCBC M6 x 35 4 pcs


M  JCBC M6 x 50 8 pcs

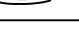
N  Allen Key 100mm 1pc

O  Allen Key 70mm 1pc

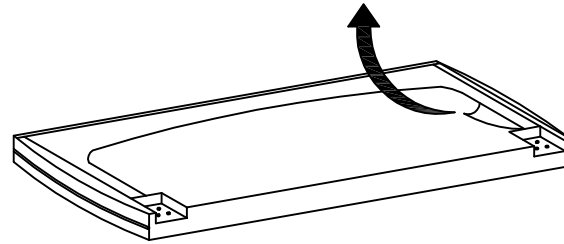
P  CSK Screw 32mm 8pcs

Q  Spring Washers 6pcs

R  Flat Washers 8pcs

S  Adjuster 4pcs

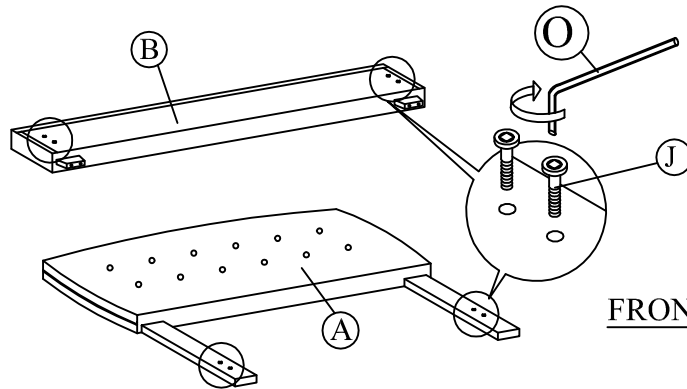
Step 1: Unzip the black non-woven fabric on the back of headboard and take out all the parts out.



Attention: Zip the black non-woven fabric after take out the parts !!

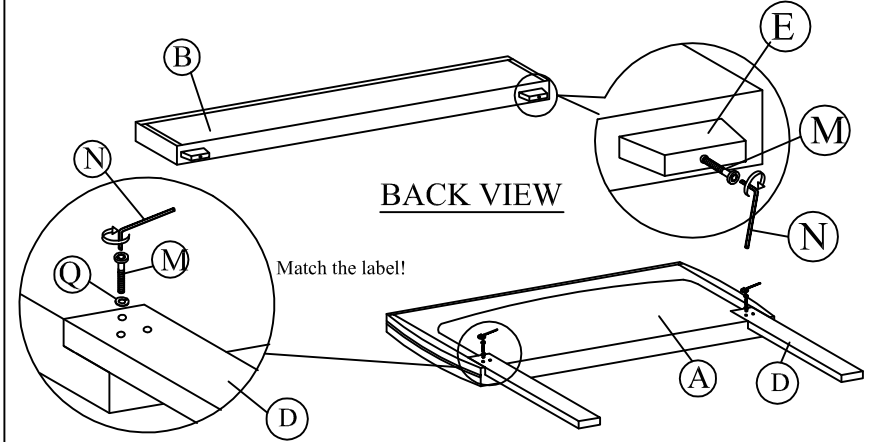
BACK VIEW

Step 3: Attach the JCBB Bolt (J) to the headboard bracket and footboard bracket .



FRONT VIEW

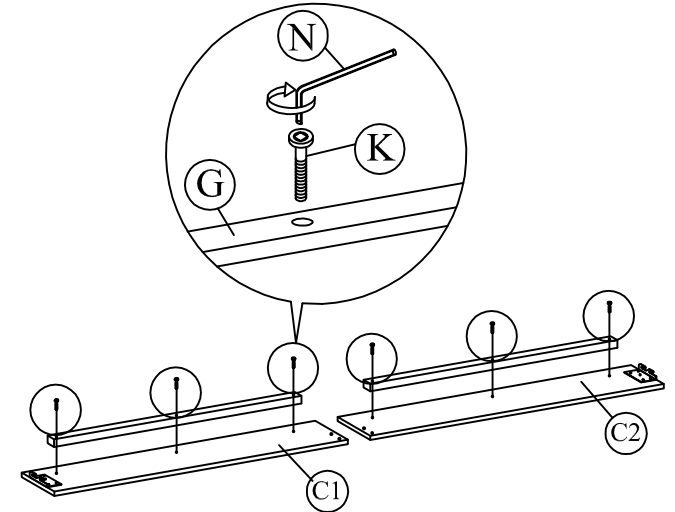
Step 2: Fix the headboard and footboard with legs as shown.



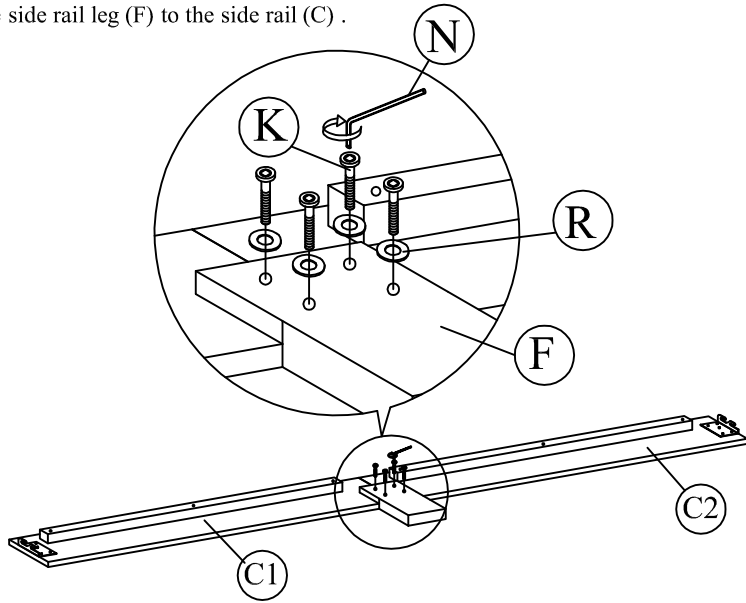
BACK VIEW

Match the label!

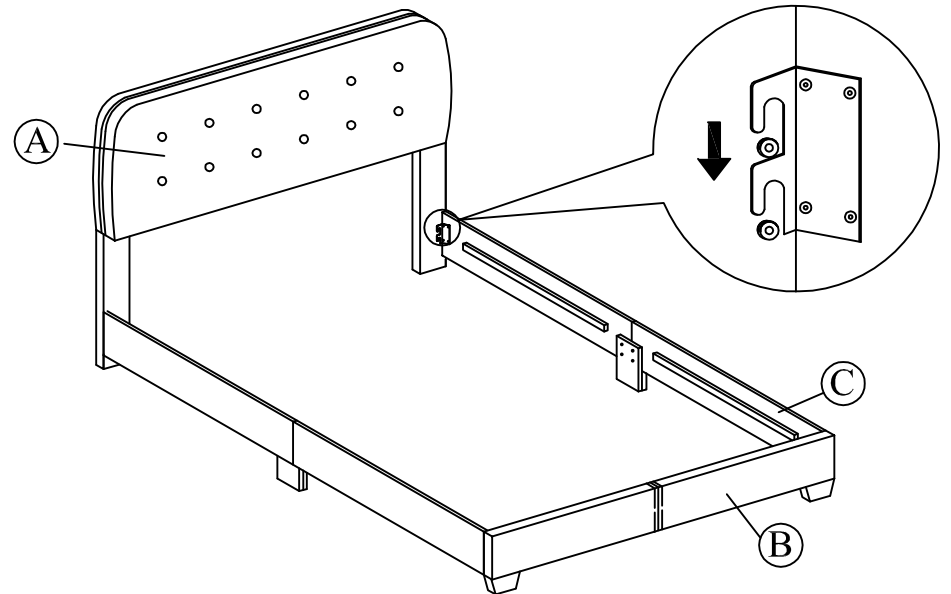
Step 4: Attach the side rail support wood (G) to the side rail (C) .



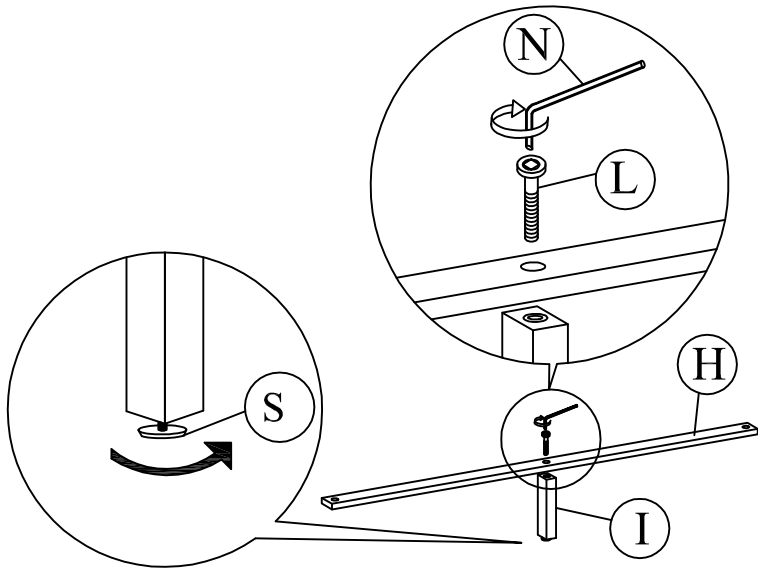
Step 5: Attach the side rail leg (F) to the side rail (C) .



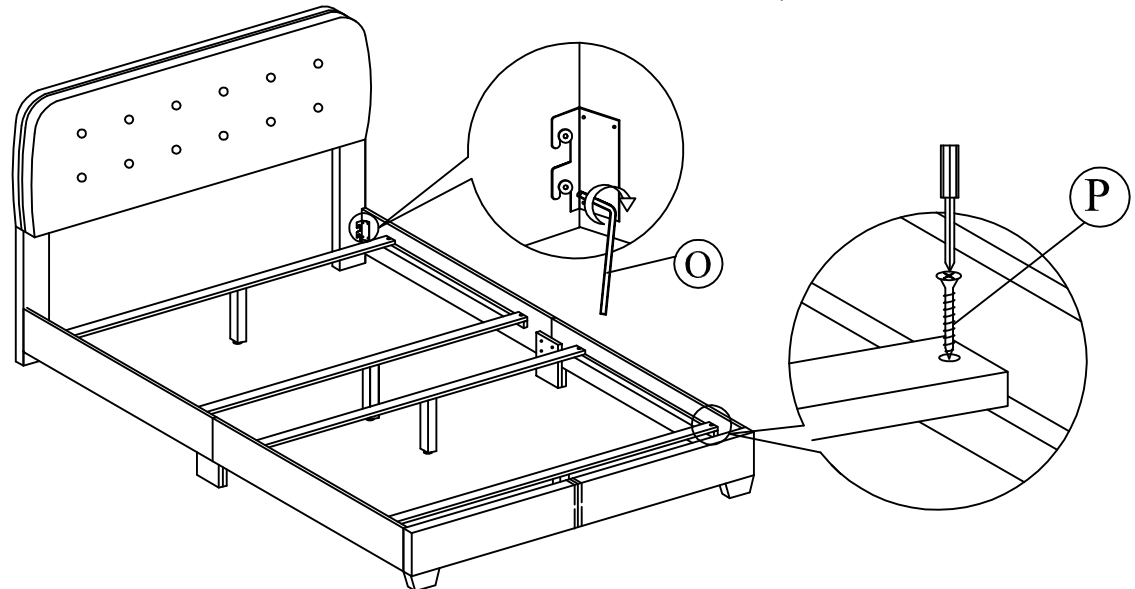
Step 6: Attach side rail (C) to headboard (A) and footboard (B) by pushing the bracket down to fit it.



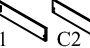


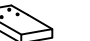



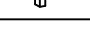
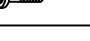
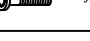





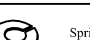



Step 7: Attach the support legs (I) to the slats (H).



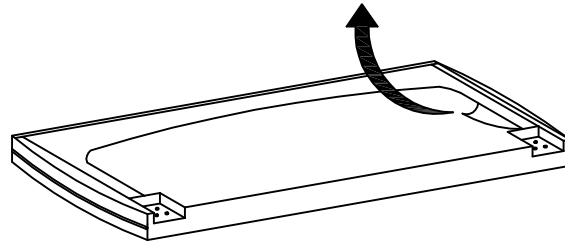
Step 4: Tighten the 4 Corner with Allen Key (O). Install the bed slats to side rail. Tighten the slats with CSK screw. The distance of the slats should be sufficient to obtain desirable bed stability.



6' King		
A	 Headboard	1pc
B	 Footboard	1pc
C	 Side Rail	4pcs
D	 Headboard Legs	2pcs
E	 Footboard Legs	2pcs
F	 Side Rail Legs	2pcs
G	 Side Rail Support Wood	4pcs
H	 Slat	4pcs
I	 Support Legs	8pcs
J	 JCBB M8 x 20	8pcs
K	 JCBC M6 x 30	20 pcs
L	 JCBC M6 x 35	8 pcs
M	 JCBC M6 x 50	8 pcs
N	 Allen Key 100mm	1pc
O	 Allen Key 70mm	1pc
P	 CSK Screw 32mm	8pcs
Q	 Spring Washers	6pcs
R	 Flat Washers	8pcs
S	 Adjuster	8pcs

Assembly Instruction

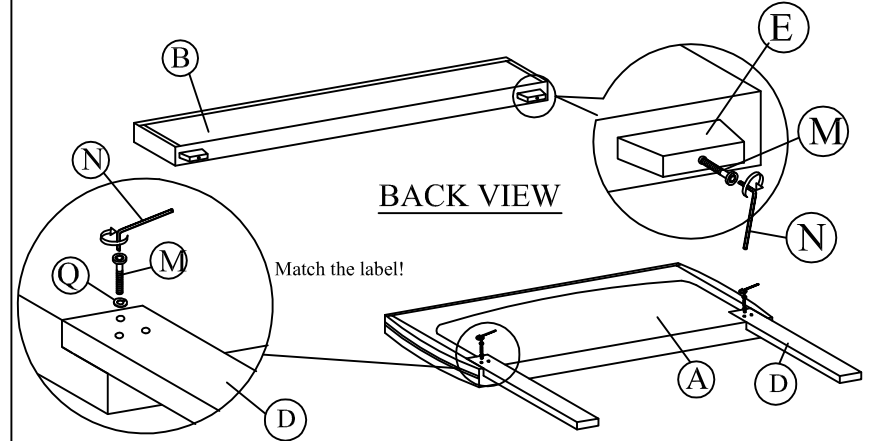
Step 1: Unzip the black non-woven fabric on the back of headboard and take out all the parts out.



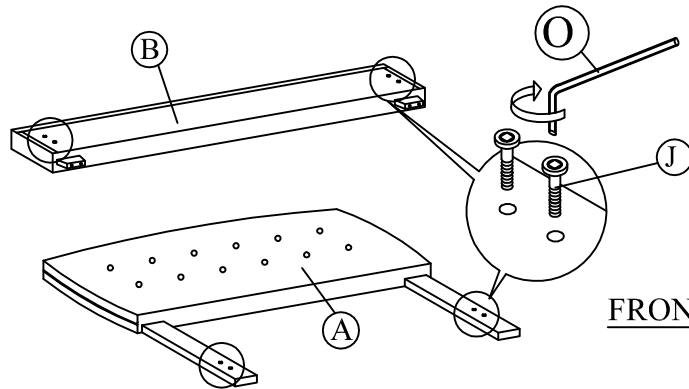
Attention: Zip the black non-woven fabric after take out the parts !!

BACK VIEW

Step 2: Fix the headboard and footboard with legs as shown.

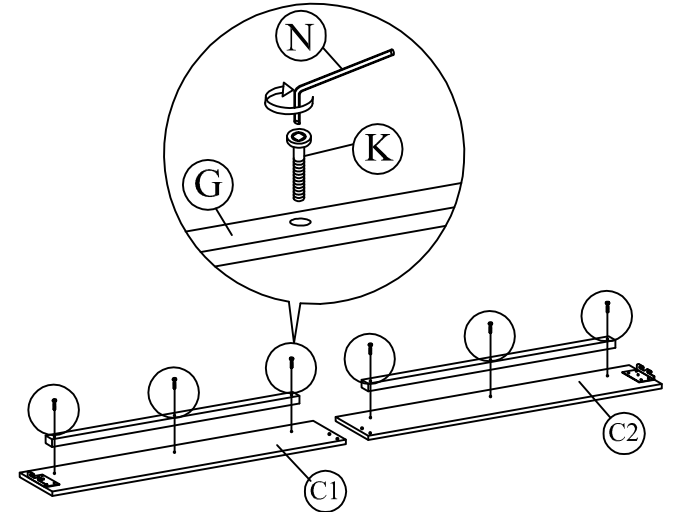


Step 3: Attach the JCBB Bolt (J) to the headboard bracket and footboard bracket .

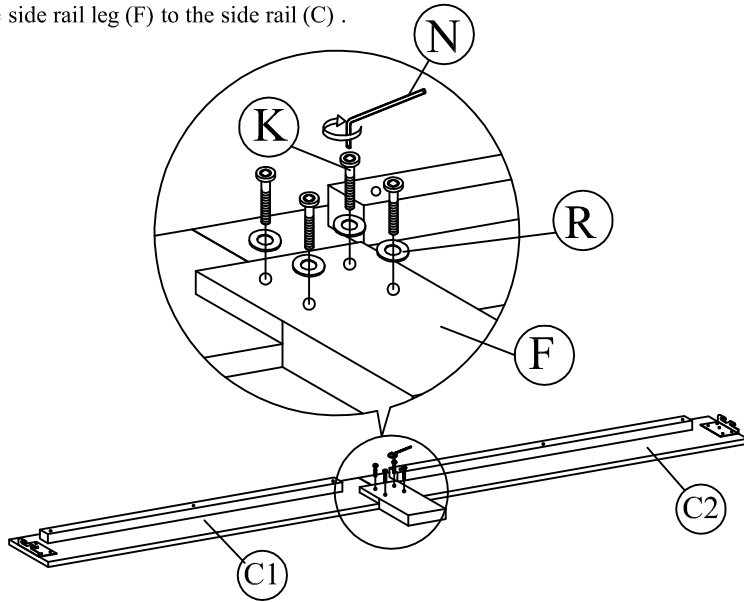


FRONT VIEW

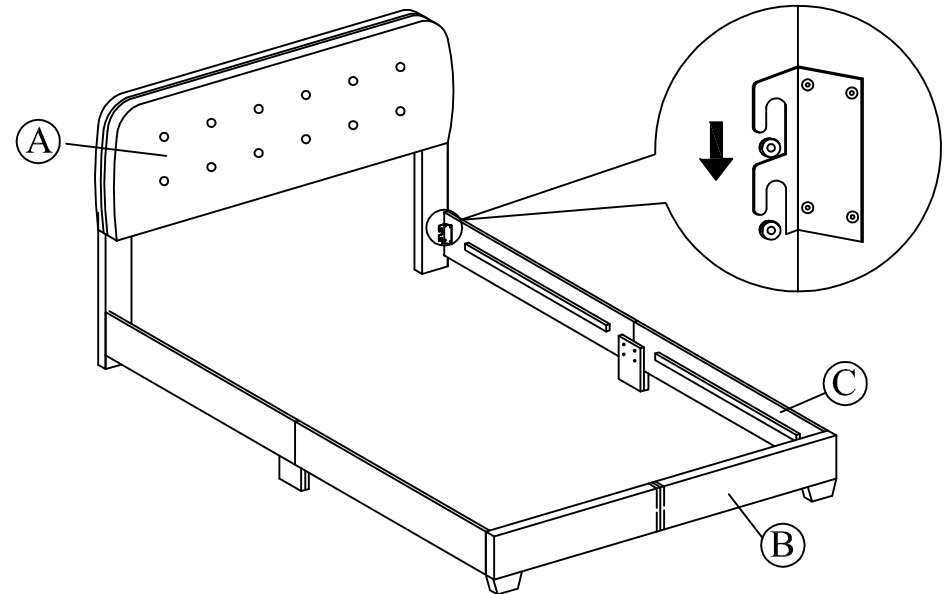
Step 4: Attach the side rail support wood (G) to the side rail (C) .



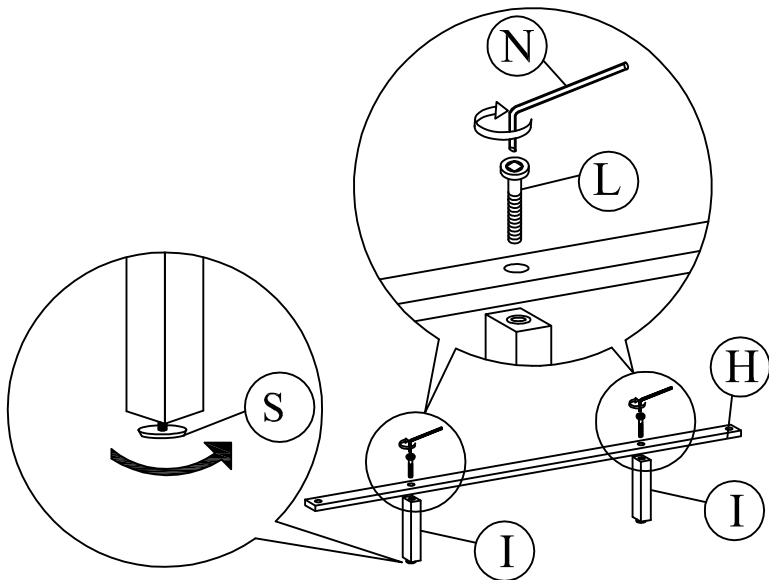
Step 5: Attach the side rail leg (F) to the side rail (C) .



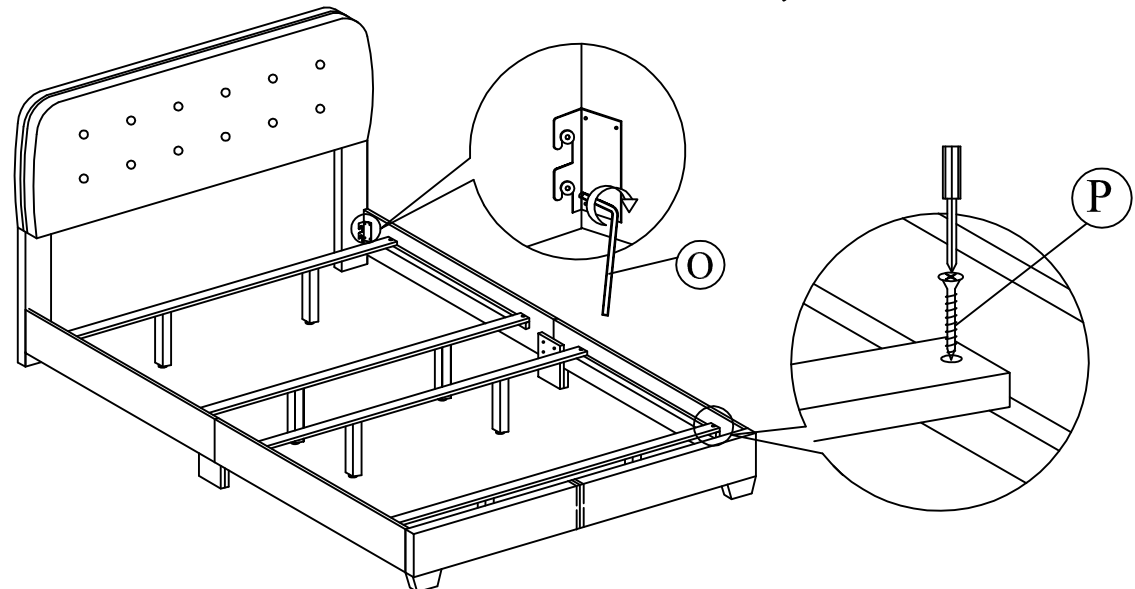
Step 6: Attach side rail (C) to headboard (A) and footboard (B) by pushing the bracket down to fit it.



Step 7: Attach the support legs (I) to the slats (H).



Step 4: Tighten the 4 Corner with Allen Key (O). Install the bed slats to side rail. Tighten the slats with CSK screw (P).
The distance of the slats should be sufficient to obtain desirable bed stability.



4'6" Full & 5' Queen

Assembly Instruction


A  Headboard 1pc


B  Footboard 1pc

C  Side Rail 4pcs


D  Headboard Legs 2pcs

E  Footboard Legs 2pcs


F  Side Rail Legs 2pcs


G  Side Rail Support Wood 4pcs

H  Slat 4pcs

I  Support Legs 4pcs

J  JCBB M8 x 20 8pcs


K  JCBC M6 x 30 20 pcs


L  JCBC M6 x 35 4 pcs


M  JCBC M6 x 50 8 pcs


N  Allen Key 100mm 1pc

O  Allen Key 70mm 1pc

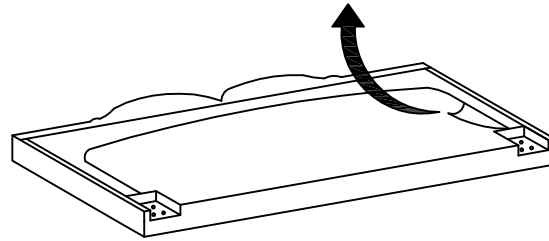
P  CSK Screw 32mm 8pcs

Q  Spring Washers 6pcs

R  Flat Washers 8pcs

S  Adjuster 4pcs

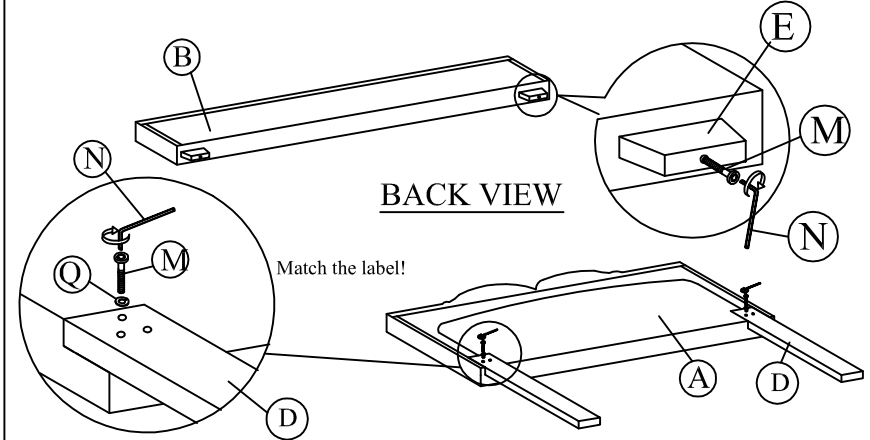
Step 1: Unzip the black non-woven fabric on the back of headboard and take out all the parts out.



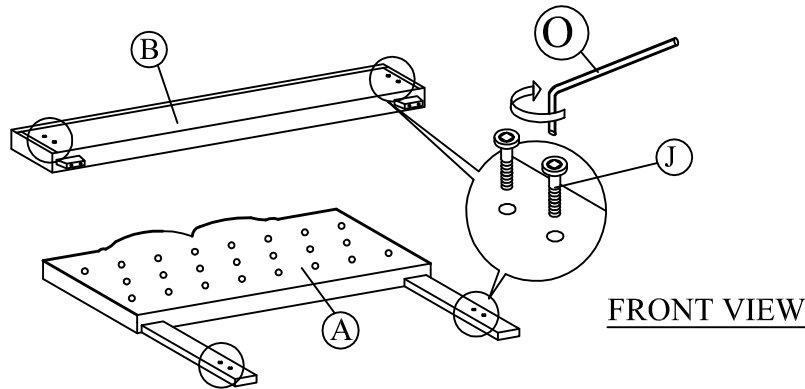
Attention: Zip the black non-woven fabric after take out the parts !!

BACK VIEW

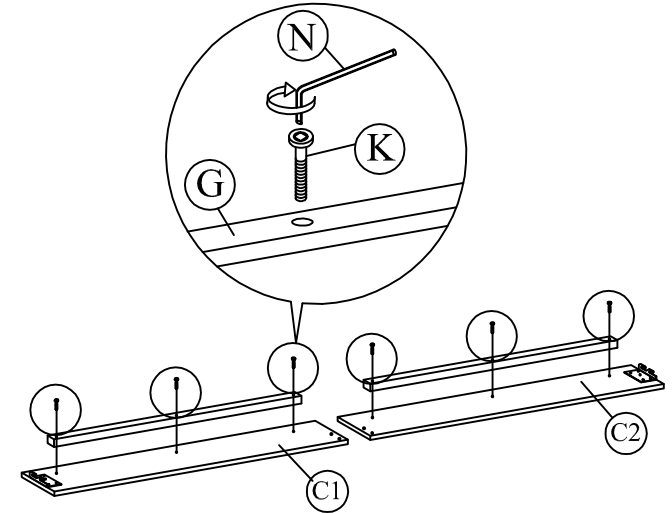
Step 2: Fix the headboard and footboard with legs as shown.



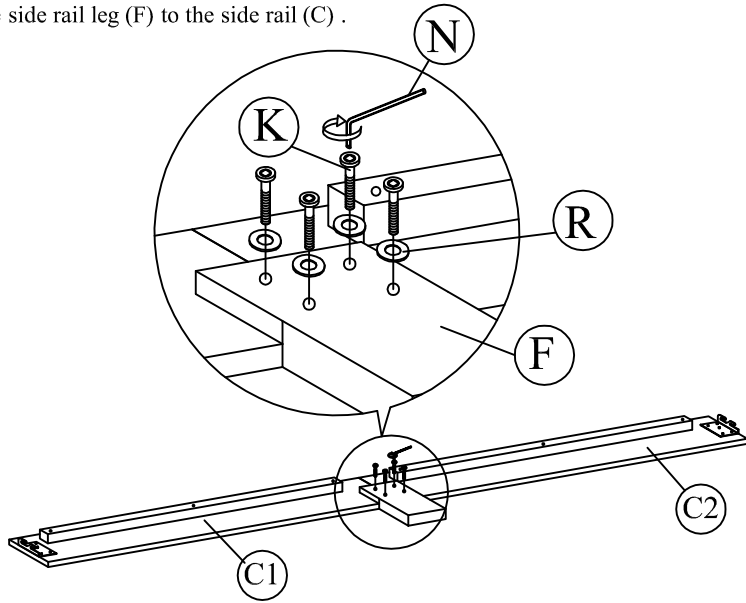
Step 3: Attach the JCBB Bolt (J) to the headboard bracket and footboard bracket .



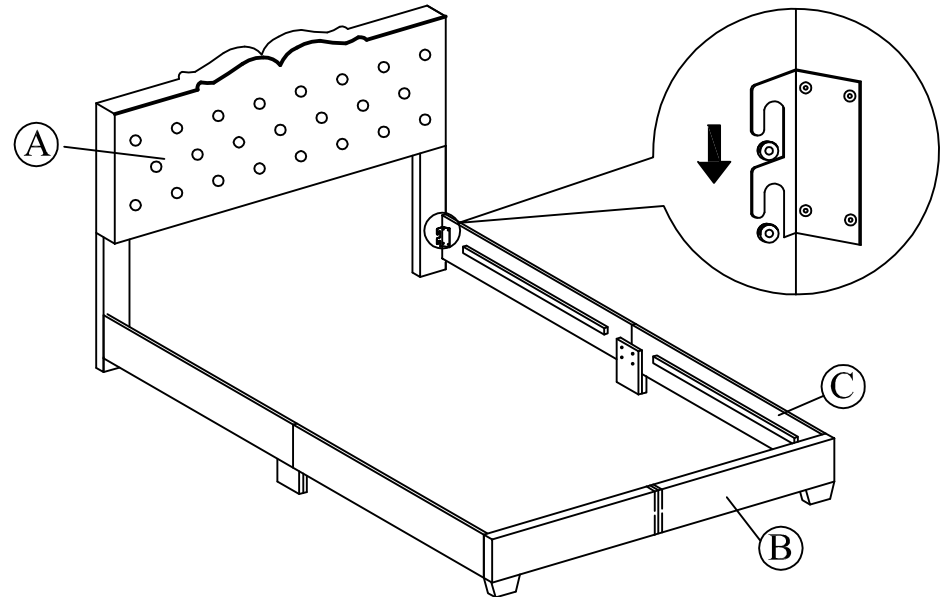
Step 4: Attach the side rail support wood (G) to the side rail (C) .



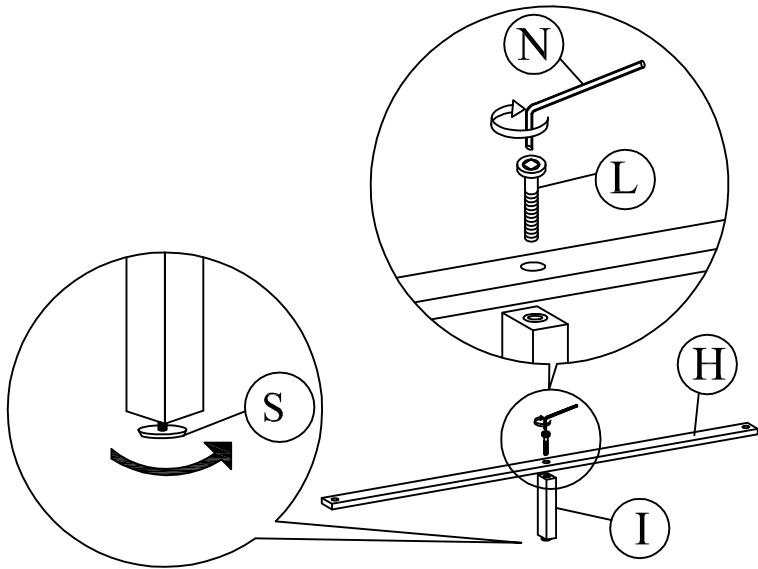
Step 5: Attach the side rail leg (F) to the side rail (C) .



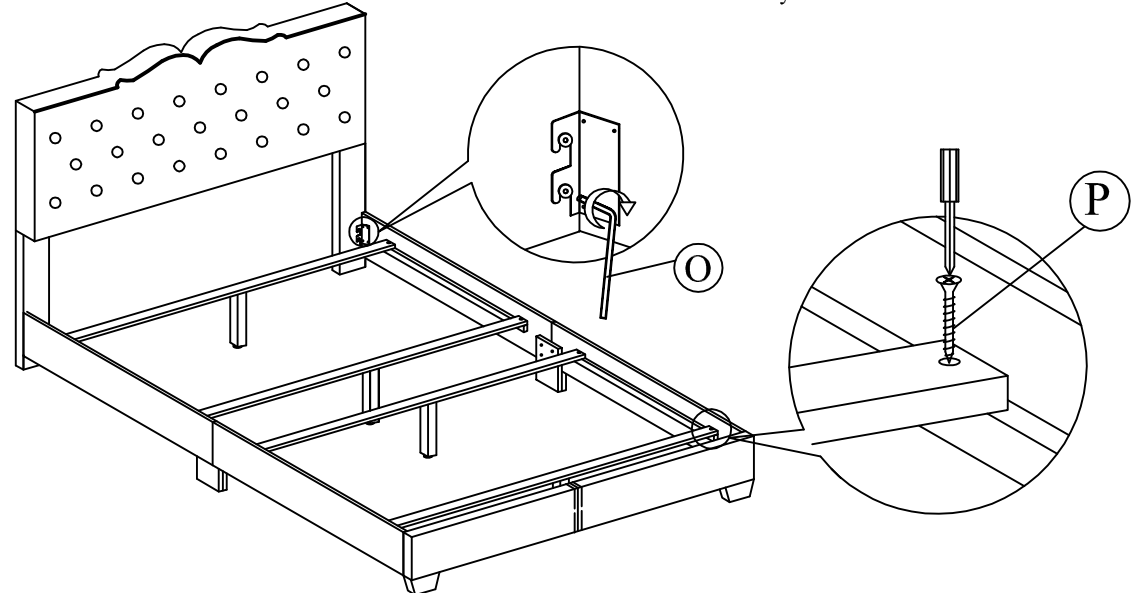
Step 6: Attach side rail (C) to headboard (A) and footboard (B) by pushing the bracket down to fit it.



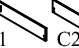












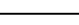
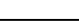




Step 7: Attach the support legs (I) to the slats (H).



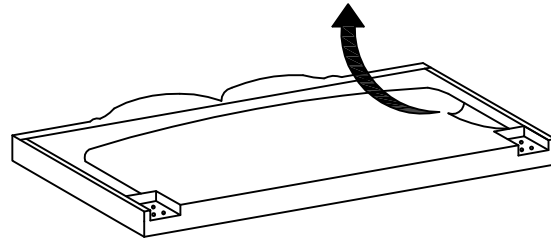
Step 4: Tighten the 4 Corner with Allen Key (O). Install the bed slats to side rail. Tighten the slats with CSK screw. The distance of the slats should be sufficient to obtain desirable bed stability.



6' King		
A	 Headboard	1pc
B	 Footboard	1pc
C	 Side Rail	4pcs
D	 Headboard Legs	2pcs
E	 Footboard Legs	2pcs
F	 Side Rail Legs	2pcs
G	 Side Rail Support Wood	4pcs
H	 Slat	4pcs
I	 Support Legs	8pcs
J	 JCBB M8 x 20	8pcs
K	 JCBC M6 x 30	20 pcs
L	 JCBC M6 x 35	8 pcs
M	 JCBC M6 x 50	8 pcs
N	 Allen Key 100mm	1pc
O	 Allen Key 70mm	1pc
P	 CSK Screw 32mm	8pcs
Q	 Spring Washers	6pcs
R	 Flat Washers	8pcs
S	 Adjuster	8pcs

Assembly Instruction

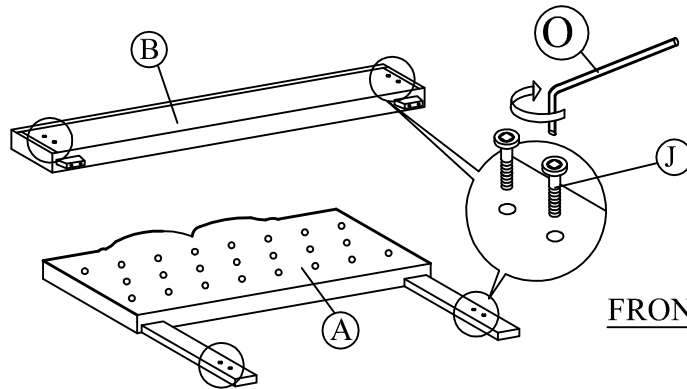
Step 1: Unzip the black non-woven fabric on the back of headboard and take out all the parts out.



Attention: Zip the black non-woven fabric after take out the parts !!

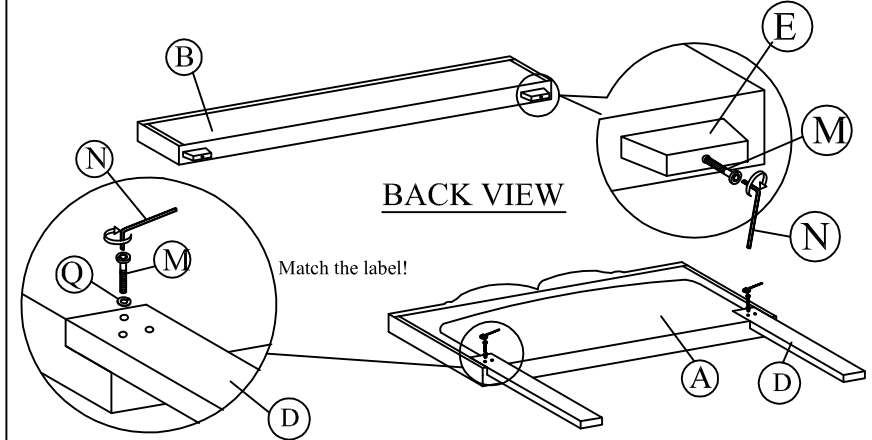
BACK VIEW

Step 3: Attach the JCBB Bolt (J) to the headboard bracket and footboard bracket .

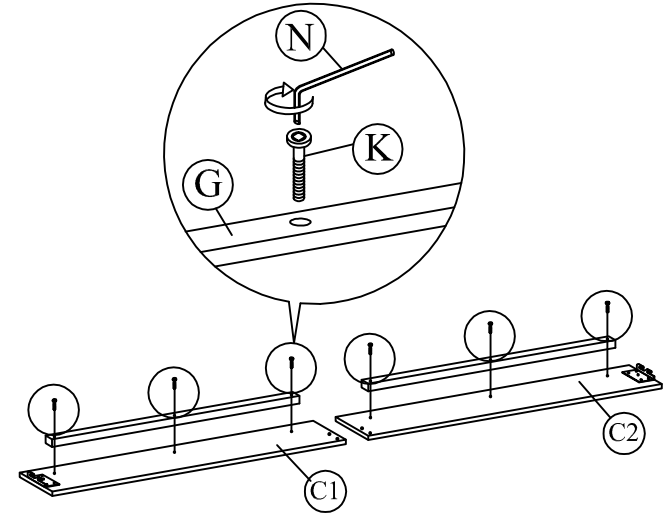


FRONT VIEW

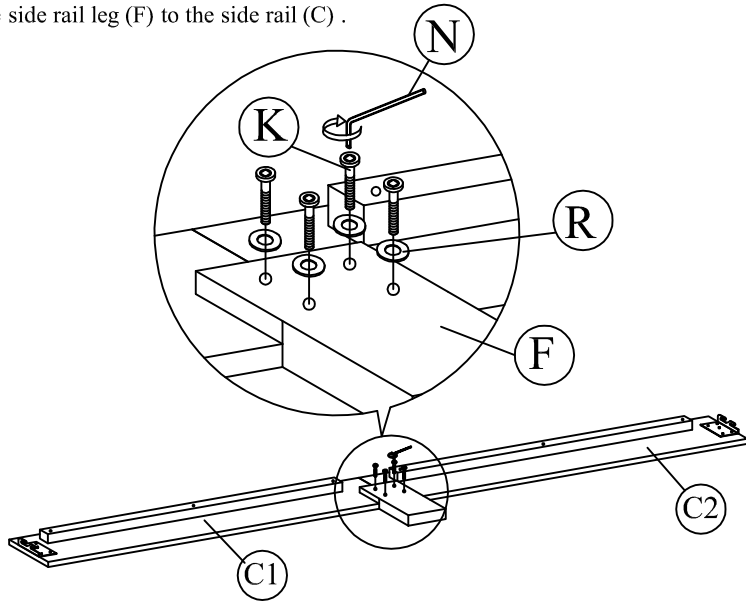
Step 2: Fix the headboard and footboard with legs as shown.



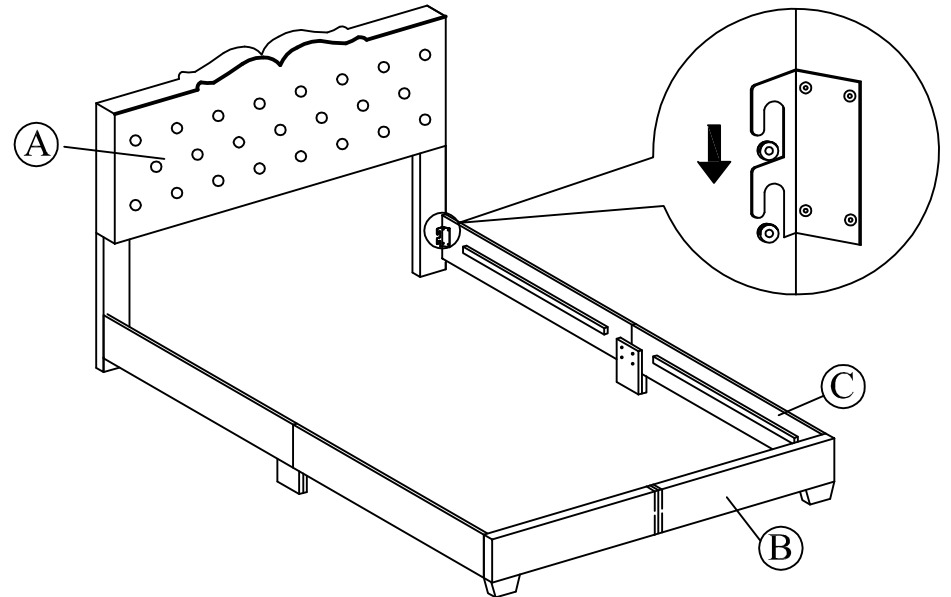
Step 4: Attach the side rail support wood (G) to the side rail (C) .



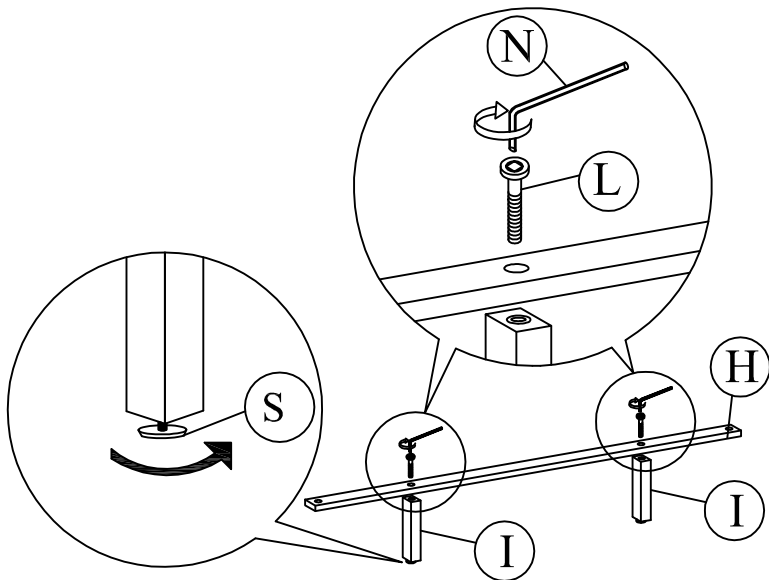
Step 5: Attach the side rail leg (F) to the side rail (C) .



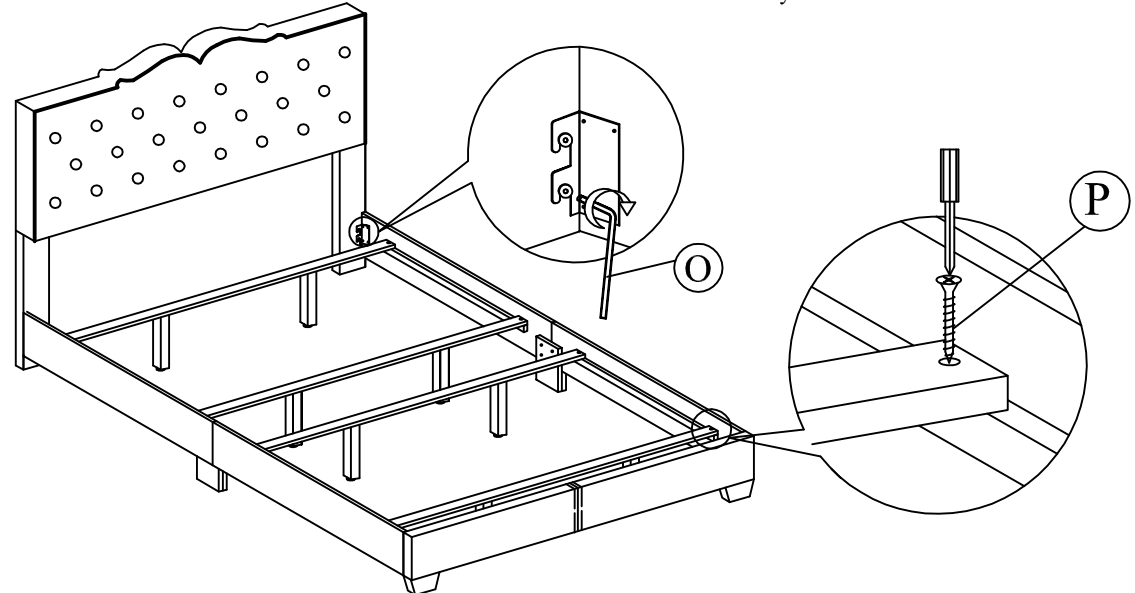
Step 6: Attach side rail (C) to headboard (A) and footboard (B) by pushing the bracket down to fit it.



Step 7: Attach the support legs (I) to the slats (H).



Step 4: Tighten the 4 Corner with Allen Key (O). Install the bed slats to side rail. Tighten the slats with CSK screw (P).
The distance of the slats should be sufficient to obtain desirable bed stability.



4'6" Full & 5' Queen

Assembly Instruction

A  Headboard 1pc


B  Footboard 1pc

C  Side Rail 4pcs


D  Headboard Legs 2pcs

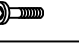
E  Footboard Legs 2pcs

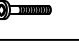
F  Side Rail Legs 2pcs

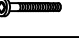
G  Side Rail Support Wood 4pcs


H  Slat 4pcs


I  Support Legs 4pcs

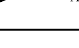
J  JCBB M8 x 20 8pcs


K  JCBC M6 x 30 20 pcs


L  JCBC M6 x 35 4 pcs


M  JCBC M6 x 50 8 pcs

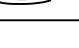
N  Allen Key 100mm 1pc

O  Allen Key 70mm 1pc

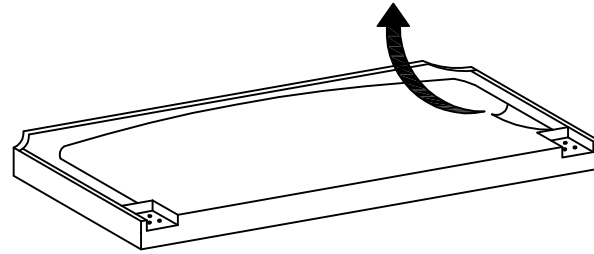
P  CSK Screw 32mm 8pcs

Q  Spring Washers 6pcs

R  Flat Washers 8pcs

S  Adjuster 4pcs

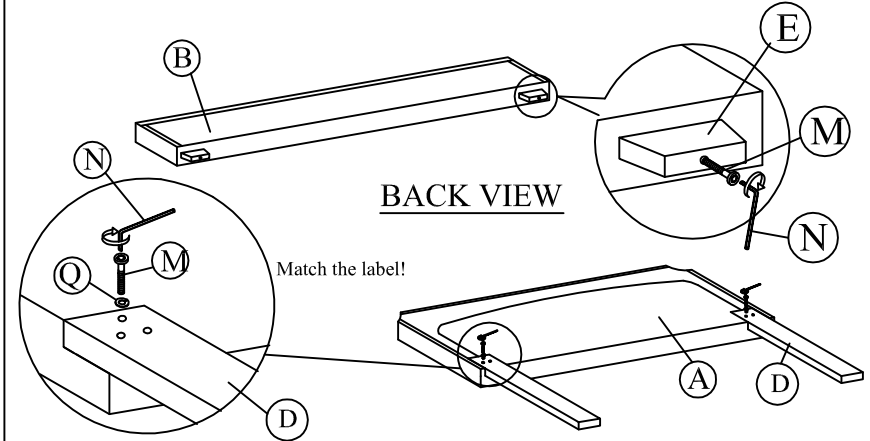
Step 1: Unzip the black non-woven fabric on the back of headboard and take out all the parts out.



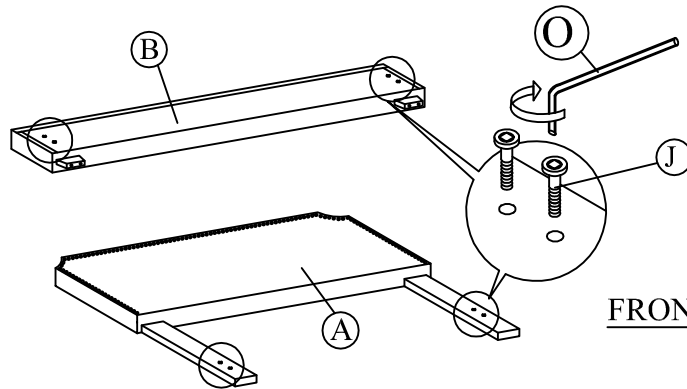
Attention: Zip the black non-woven fabric after take out the parts !!

BACK VIEW

Step 2: Fix the headboard and footboard with legs as shown.

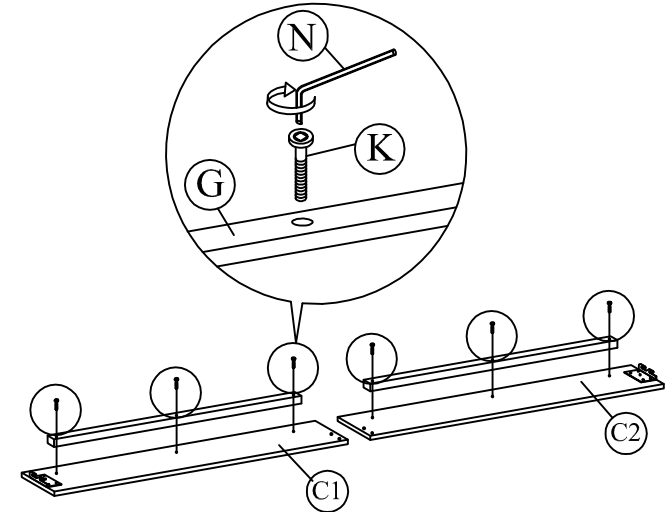


Step 3: Attach the JCBB Bolt (J) to the headboard bracket and footboard bracket .

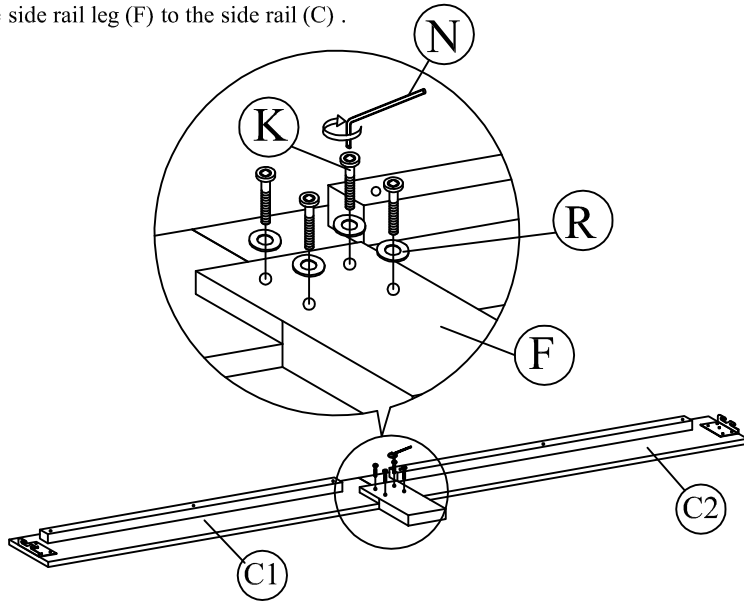


FRONT VIEW

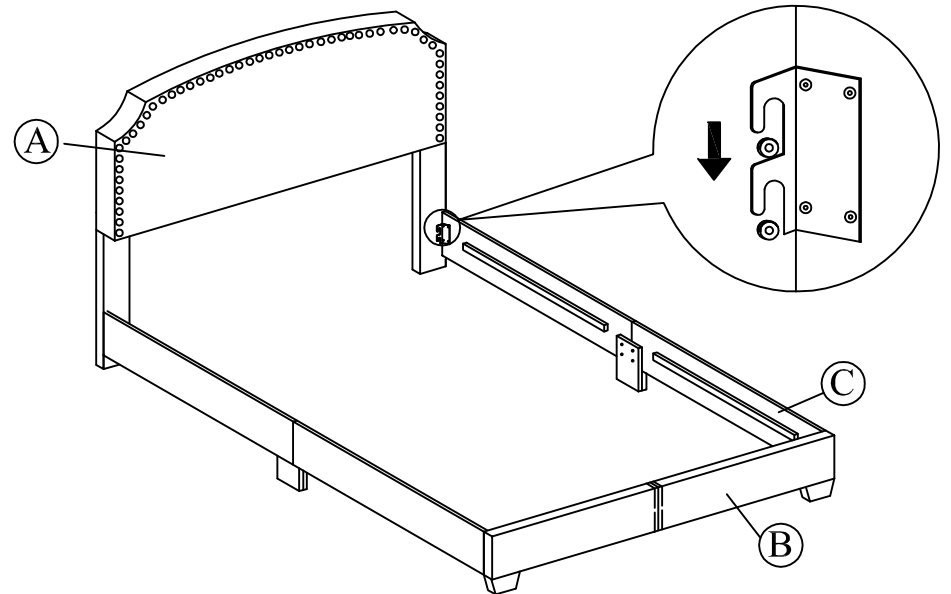
Step 4: Attach the side rail support wood (G) to the side rail (C) .



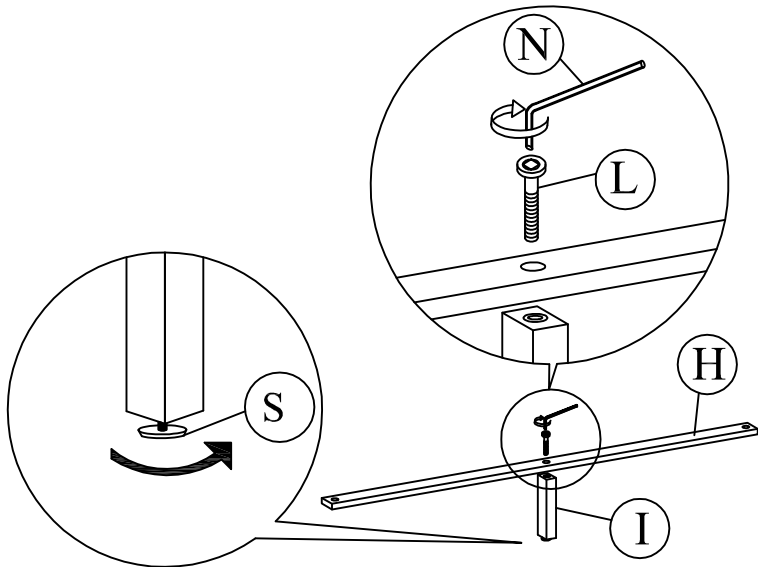
Step 5: Attach the side rail leg (F) to the side rail (C) .



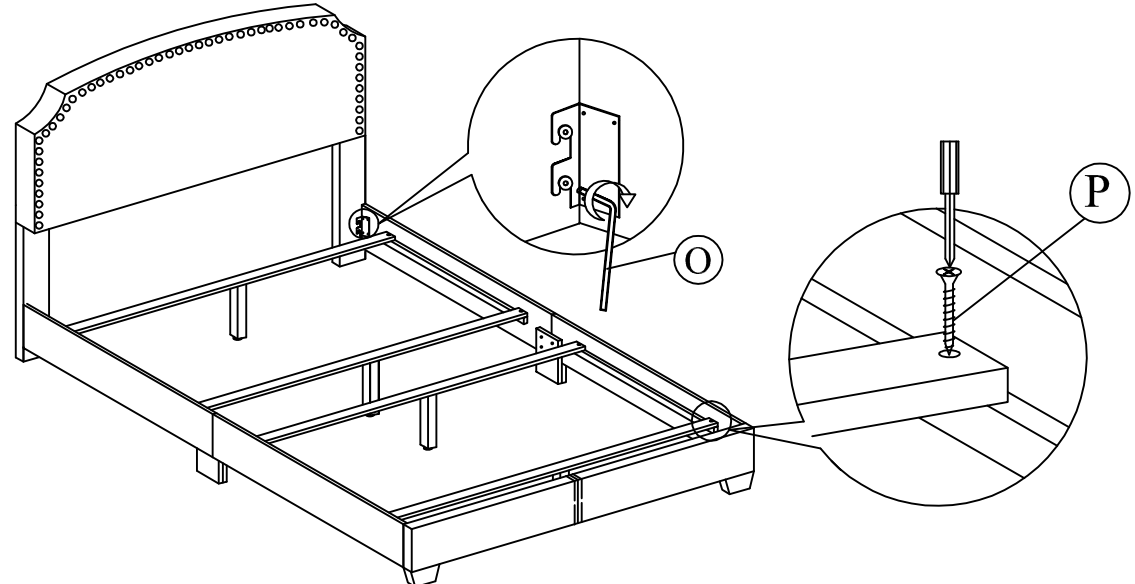
Step 6: Attach side rail (C) to headboard (A) and footboard (B) by pushing the bracket down to fit it.



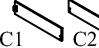












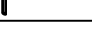





Step 7: Attach the support legs (I) to the slats (H).



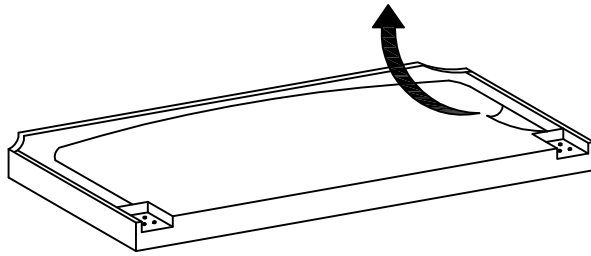
Step 4: Tighten the 4 Corner with Allen Key (O). Install the bed slats to side rail. Tighten the slats with CSK screw. The distance of the slats should be sufficient to obtain desirable bed stability.



6' King		
A	 Headboard	1pc
B	 Footboard	1pc
C	 Side Rail	4pcs
D	 Headboard Legs	2pcs
E	 Footboard Legs	2pcs
F	 Side Rail Legs	2pcs
G	 Side Rail Support Wood	4pcs
H	 Slat	4pcs
I	 Support Legs	8pcs
J	 JCBB M8 x 20	8pcs
K	 JCBC M6 x 30	20 pcs
L	 JCBC M6 x 35	8 pcs
M	 JCBC M6 x 50	8 pcs
N	 Allen Key 100mm	1pc
O	 Allen Key 70mm	1pc
P	 CSK Screw 32mm	8pcs
Q	 Spring Washers	6pcs
R	 Flat Washers	8pcs
S	 Adjuster	8pcs

Assembly Instruction

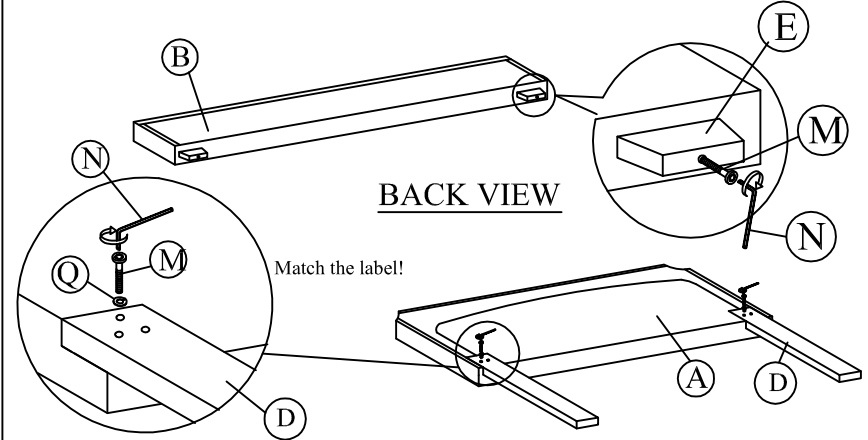
Step 1: Unzip the black non-woven fabric on the back of headboard and take out all the parts out.



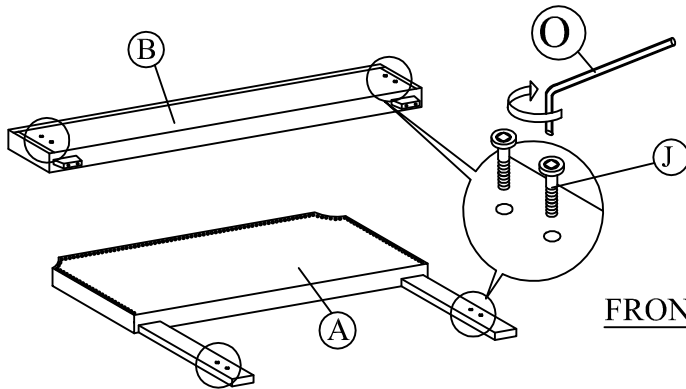
Attention: Zip the black non-woven fabric after take out the parts !!

BACK VIEW

Step 2: Fix the headboard and footboard with legs as shown.

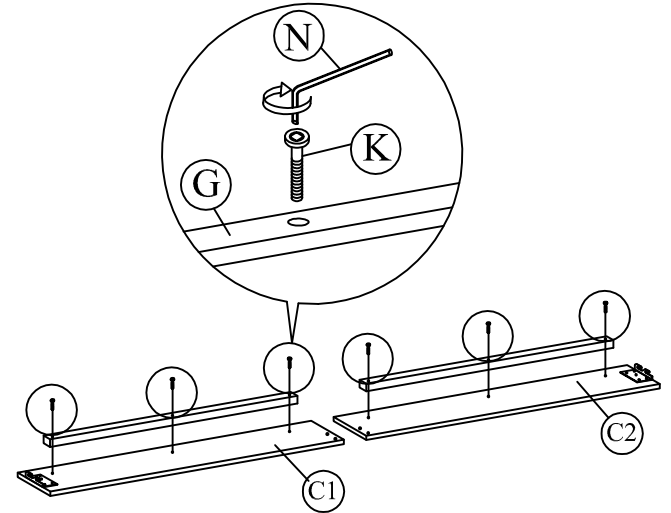


Step 3: Attach the JCBB Bolt (J) to the headboard bracket and footboard bracket .

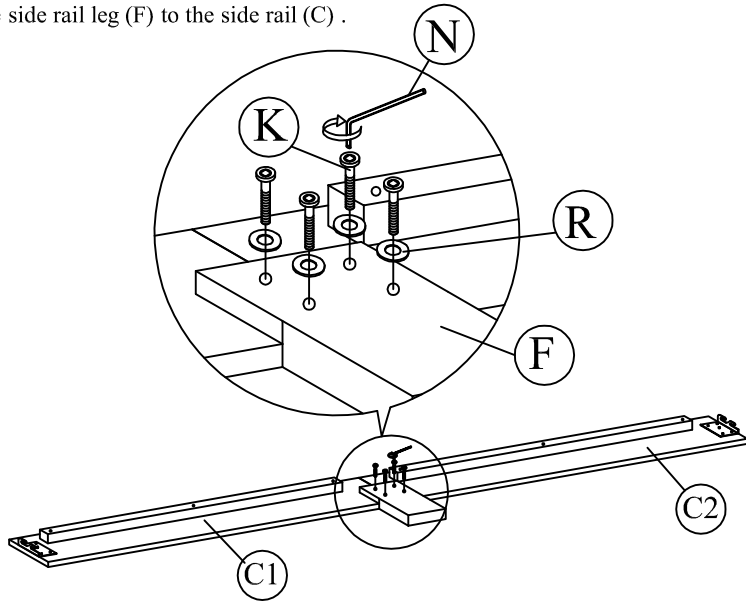


FRONT VIEW

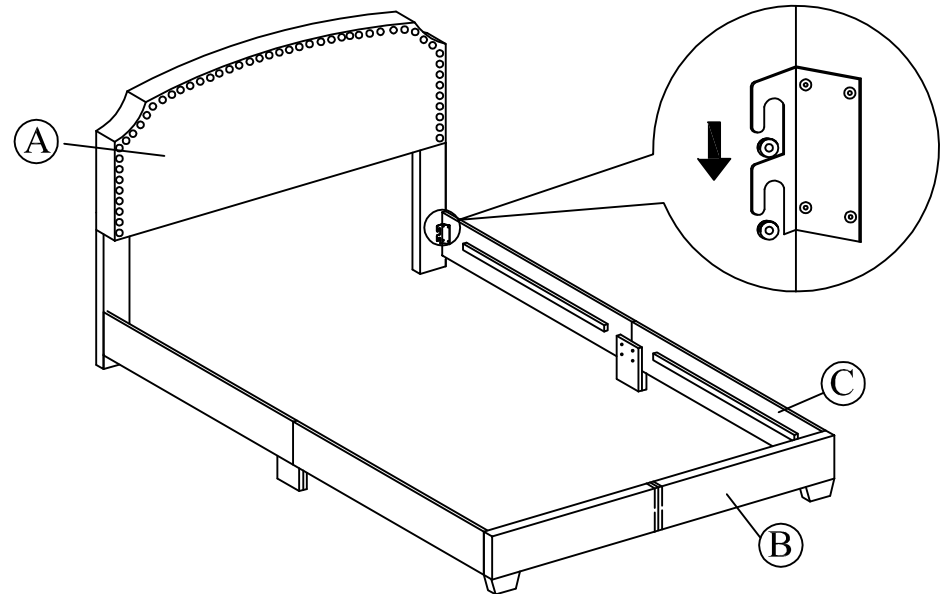
Step 4: Attach the side rail support wood (G) to the side rail (C) .



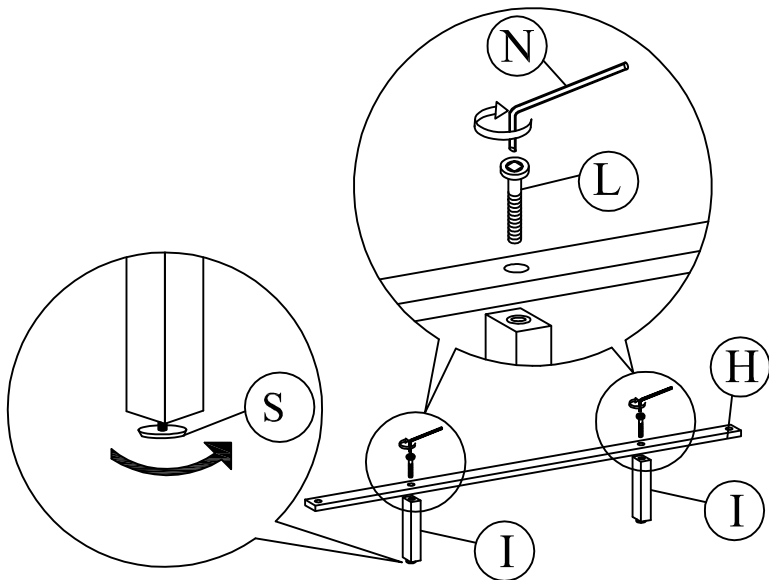
Step 5: Attach the side rail leg (F) to the side rail (C) .



Step 6: Attach side rail (C) to headboard (A) and footboard (B) by pushing the bracket down to fit it.



Step 7: Attach the support legs (I) to the slats (H).



Step 4: Tighten the 4 Corner with Allen Key (O). Install the bed slats to side rail. Tighten the slats with CSK screw. The distance of the slats should be sufficient to obtain desirable bed stability.

