

Owner's Manual

Arm Accent Chair

FOLLOW US:



CONTACT INFO

NOTE:

The instruction booklet contains **IMPORTANT** safety information
Please read and keep for future reference.

OUR BRAND

We are one of the nation's largest direct sellers of home decor. We offer an extensive selection of high-quality indoor and outdoor furniture, appliances, and accessories. We are committed to making decorating your home easy, affordable and fun. Everything you need to make your house into a beautiful home can be found .So whether you shop by website or catalog, you can be sure you will always find top-quality merchandise for your home.






PLEASE LIKE, COMMENT AND SUBSCRIBE.

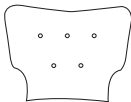





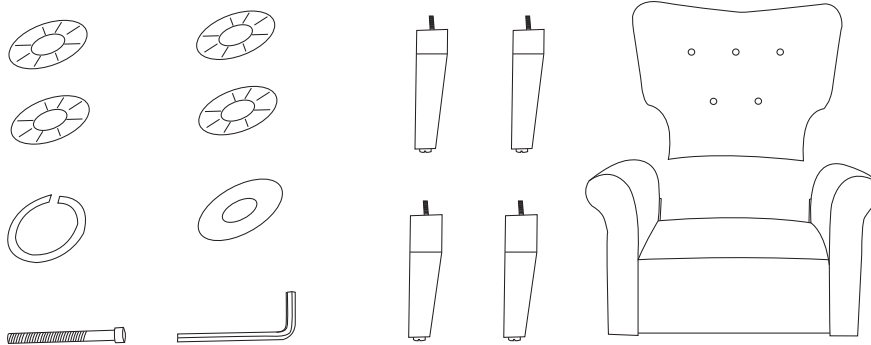
TABLE OF CONTENTS

OUR BRAND	02
ASSEMBLY INSTRUCTIONS	03
WARRANTY	05

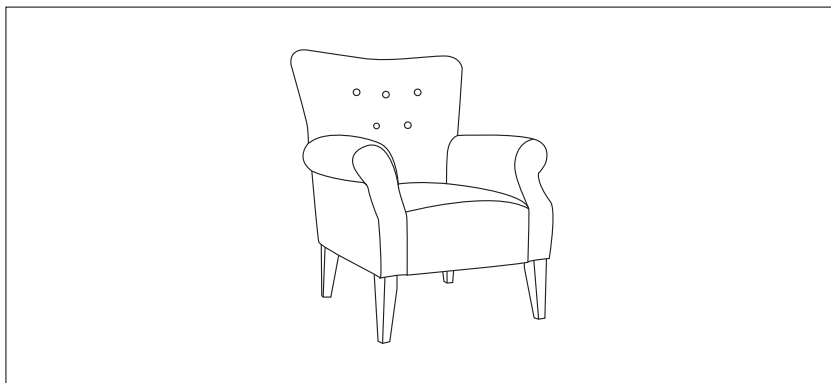
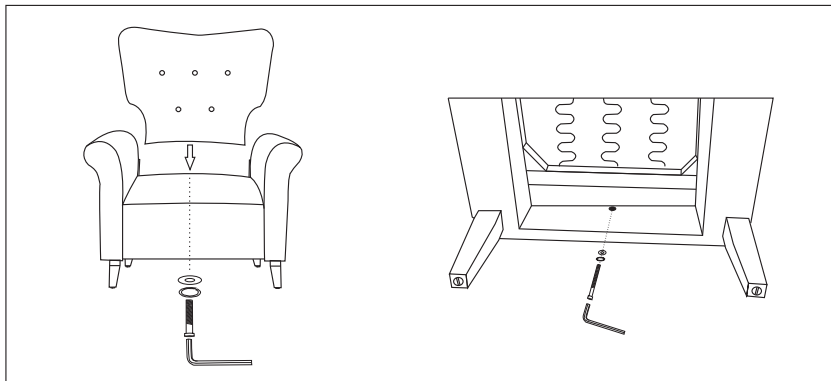
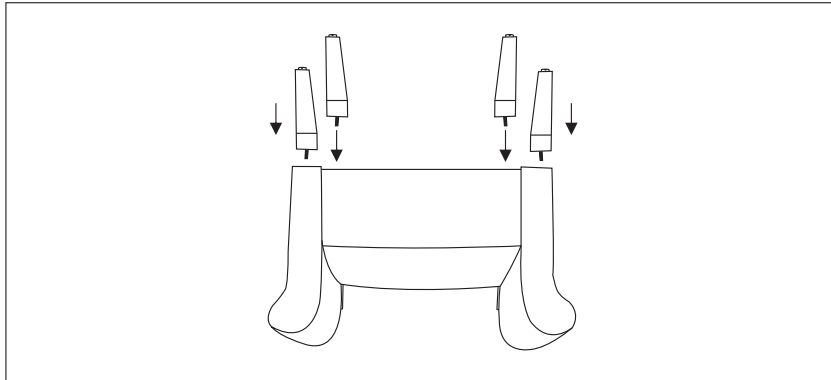
ASSEMBLY INSTRUCTIONS

a	
b	
c	
d	
e	

A	
B	
C	
D	



ASSEMBLY INSTRUCTIONS



LIMITED TERM WARRANTY

ONE (1) YEAR FROM DATE OF PURCHASE

WARRANTY TERMS

We warrant that its merchandise are free from manufacturing defects (workmanship and/or material) and will either give credit or replace defective parts for a period of up to one (1) year from the date of purchase in accordance with the conditions set forth below. If a manufacturing defect is found, we should be notified promptly of the defect and supplied a copy of the invoice and delivery ticket. Inspection by a our employee or representative may be necessary to verify that a manufacturing defect exists, or you may be required to submit samples to us along with a digital image of the defects. If replacement is required in accordance with this warranty and the defective material or merchandise has been discontinued or unavailable, we reserve the right to select and supply similar merchandise or offer full credit for the merchandise; otherwise the same material or merchandise will be supplied for replacement purposes. This warranty is made solely to the retailer and is not transferable under any circumstances. It is the retailer's responsibility to contact us with a claim. We will not handle claims from consumers directly; all requests must go through the retailer who sold the merchandise to the consumer. We advise all retailers to retain invoices for a minimum of one (1) year for warranty purposes. This warranty supersedes and replaces all implied warranties of merchantability and use for particular purpose. No representative, employee, or agent of us or any other person is authorized to assume for us any additional liability or responsibility in connection with our merchandise except as described above. Implied warranties or merchantability and fitness of the merchandise are limited to a period of one (1) year from the date of purchase. In no event shall us be liable for indirect, consequential or incidental damages of any kind.

ADDITIONAL CONDITIONS

The following examples are not manufacturer's defects:

- Colors may vary slightly from the photo because of photography and printing tolerances.
- Foam will soften slightly.
- Sizes are stated in U.S. standard measurements while the actual sizes are manufactured using the metric system. Therefore the sizes may vary slightly.
- There are no exchanges or refunds on any pillows or toppers sold.
- No returns for buyer's remorse.
- * No returns - other than stated above - will be accepted