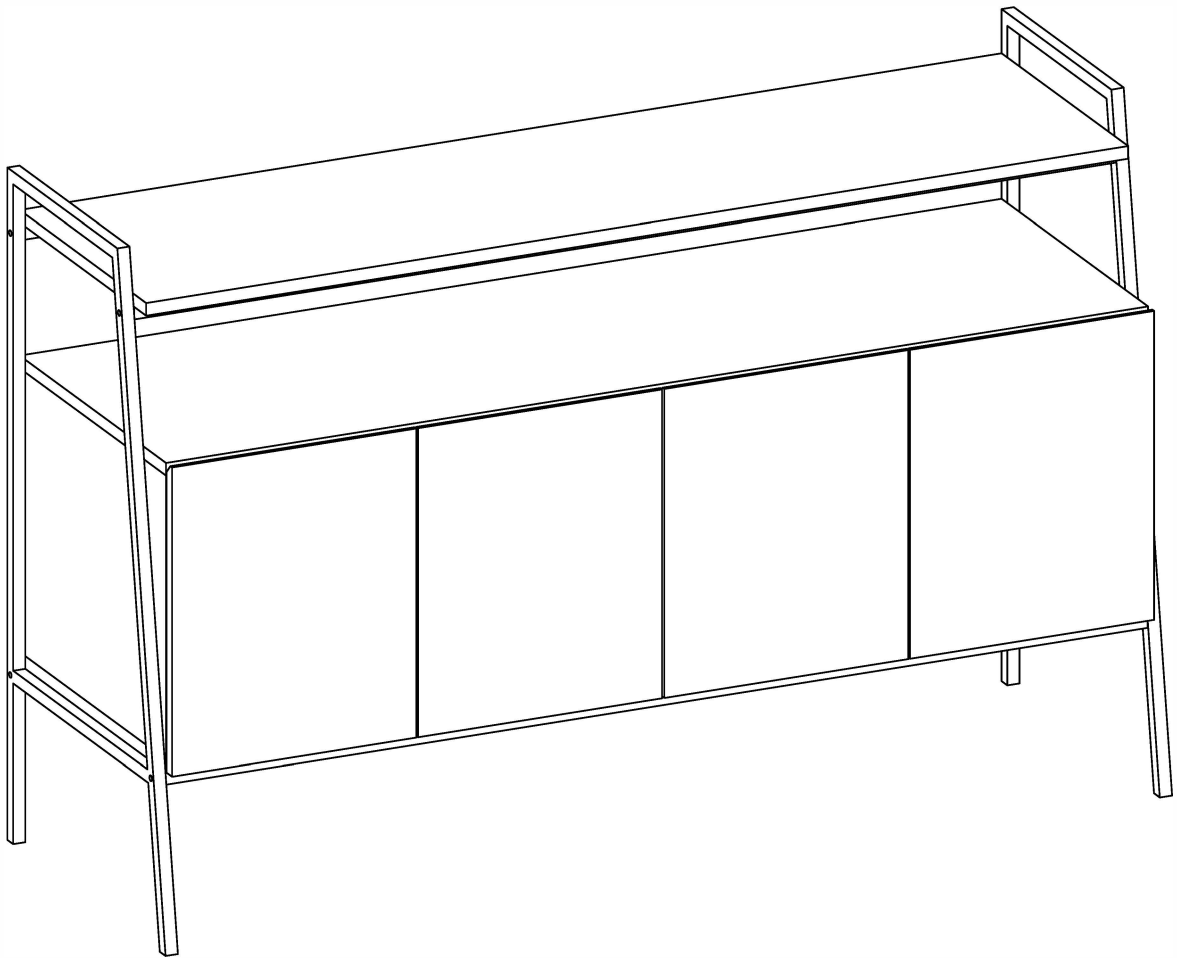
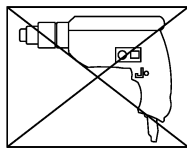


# Assembly Instructions

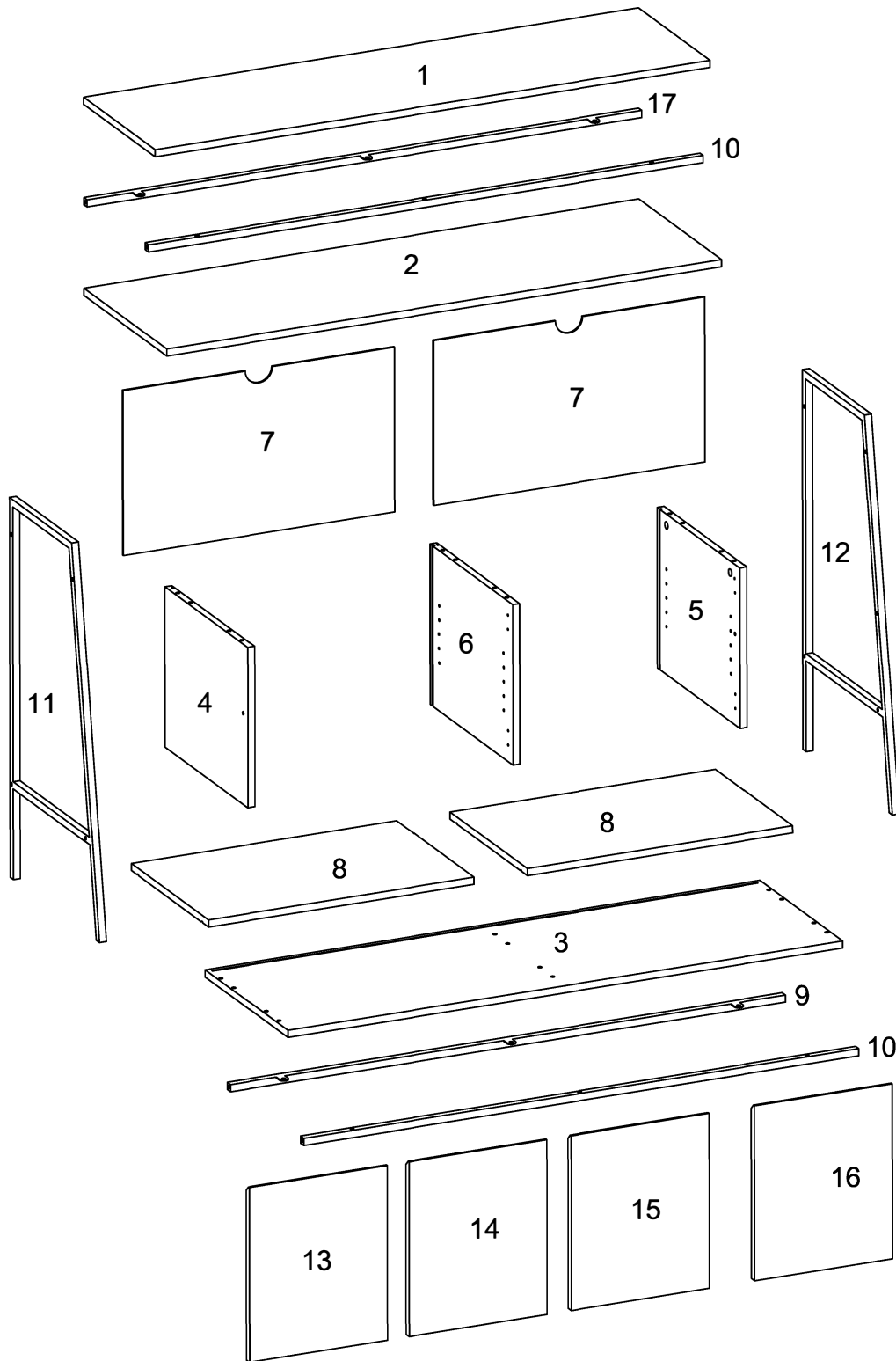


# General Assembly Guidelines


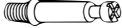



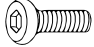



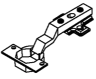







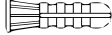

- I. Ensure that all parts and hardware are available before beginning assembly.
- II. Follow each step carefully to ensure the proper assembly of this product.
- III. Two people are recommended for ease in the assembly of this product.
- IV. The main type of hardware used to assemble this product is: bolts.
- V. Power tools should not be used to assemble this product .

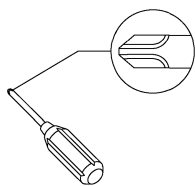


# Parts List



# Hardware List

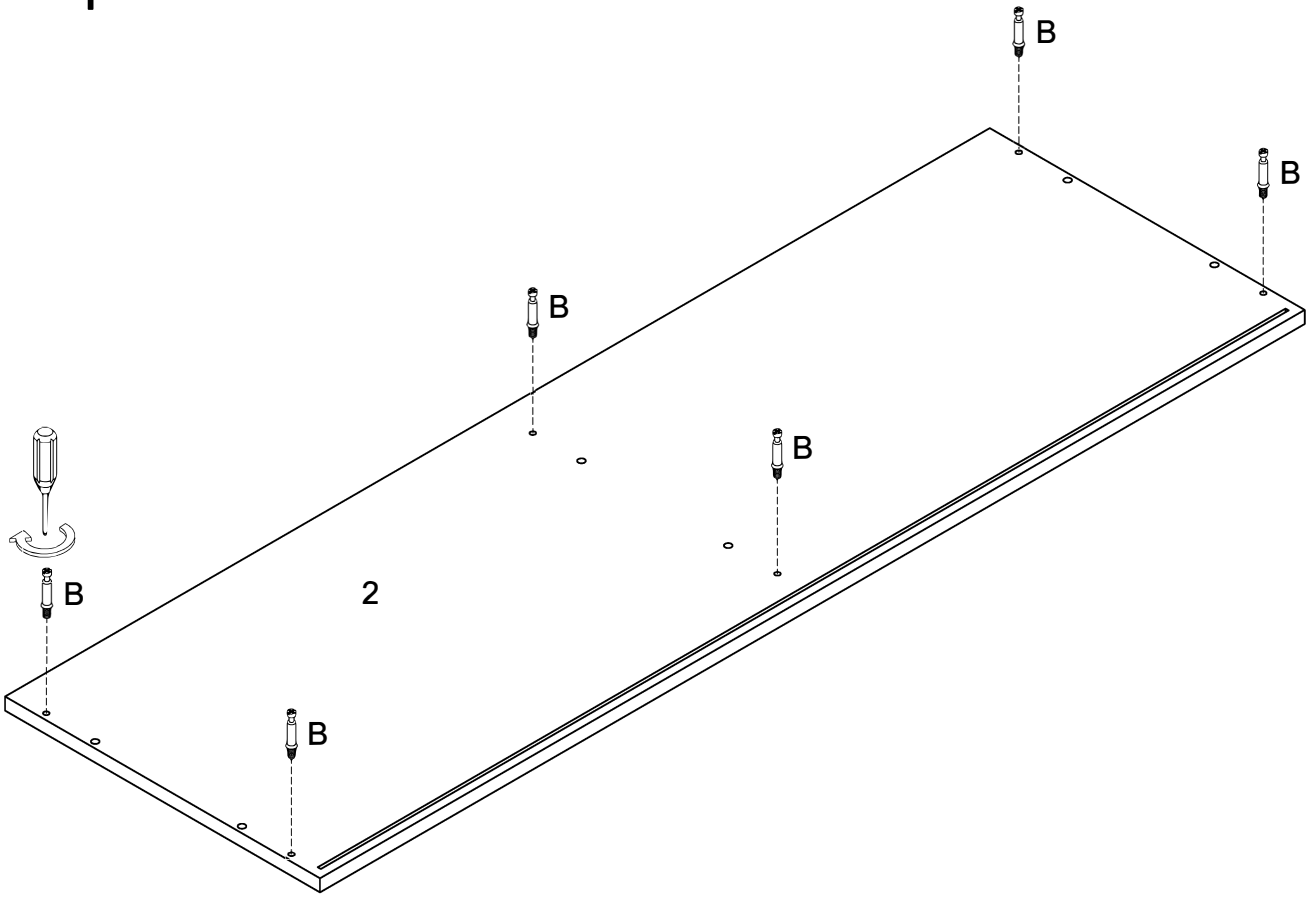
A		Ø8x30mm	Wooden dowel	12 pcs
B		Ø8x35mm	Cam bolt	6 pcs
C		Ø15x11mm	Cam lock	6 pcs
D		Ø30mm	Sticker	6 pcs
E		Ø6x50mm	Screw	6 pcs
F		Ø1/4x12mm	Bolt	8 pcs
G		Ø1/4x25mm	Bolt	16 pcs
H			Plastic wedge	8 pcs
J		Ø3x17mm	Screw	8 pcs
K			Hinge	4 pcs
L			Hinge	4 pcs
M		Ø3x14mm	Screw	32 pcs
N		4mm	Hex Key	1 pc
P		Ø8x5x16mm	Shelf support pin	8 pcs
Q			Glue tube	1 pc
R			L shape Bracket	2 pcs
S		Ø4x30mm	Screw	2 pcs
T			Anchor	2 pcs
U			Washer	2 pcs



screwdriver required for assembly  
(not included)

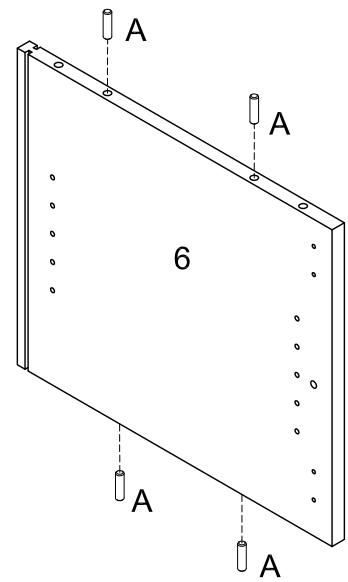
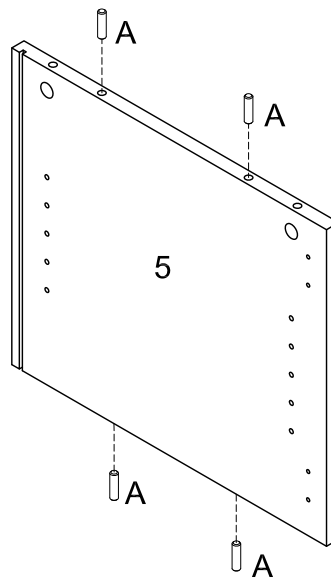
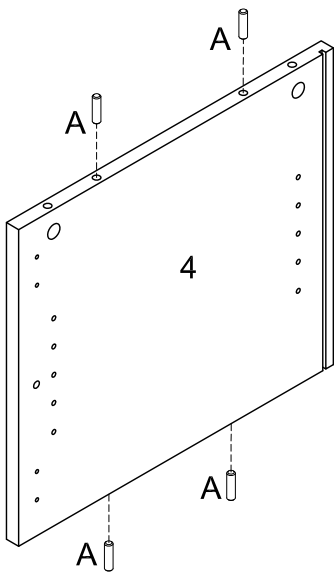
*The hardware quantities listed above are required for proper assembly.  
Some extra hardware may also have been included.*

# Step 1



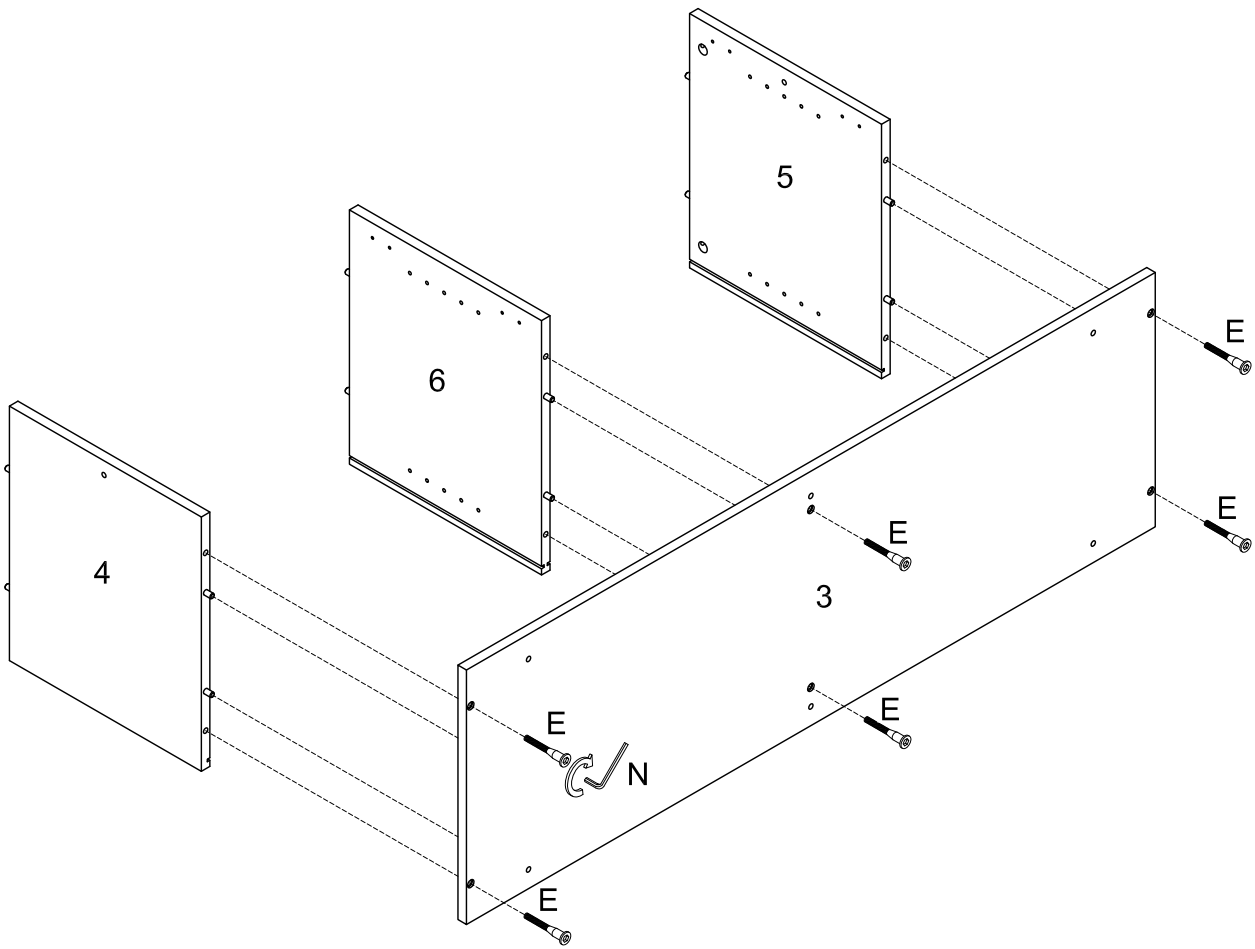
Secure cam bolt (B) to part (2) with head screwdriver.

# Step 2



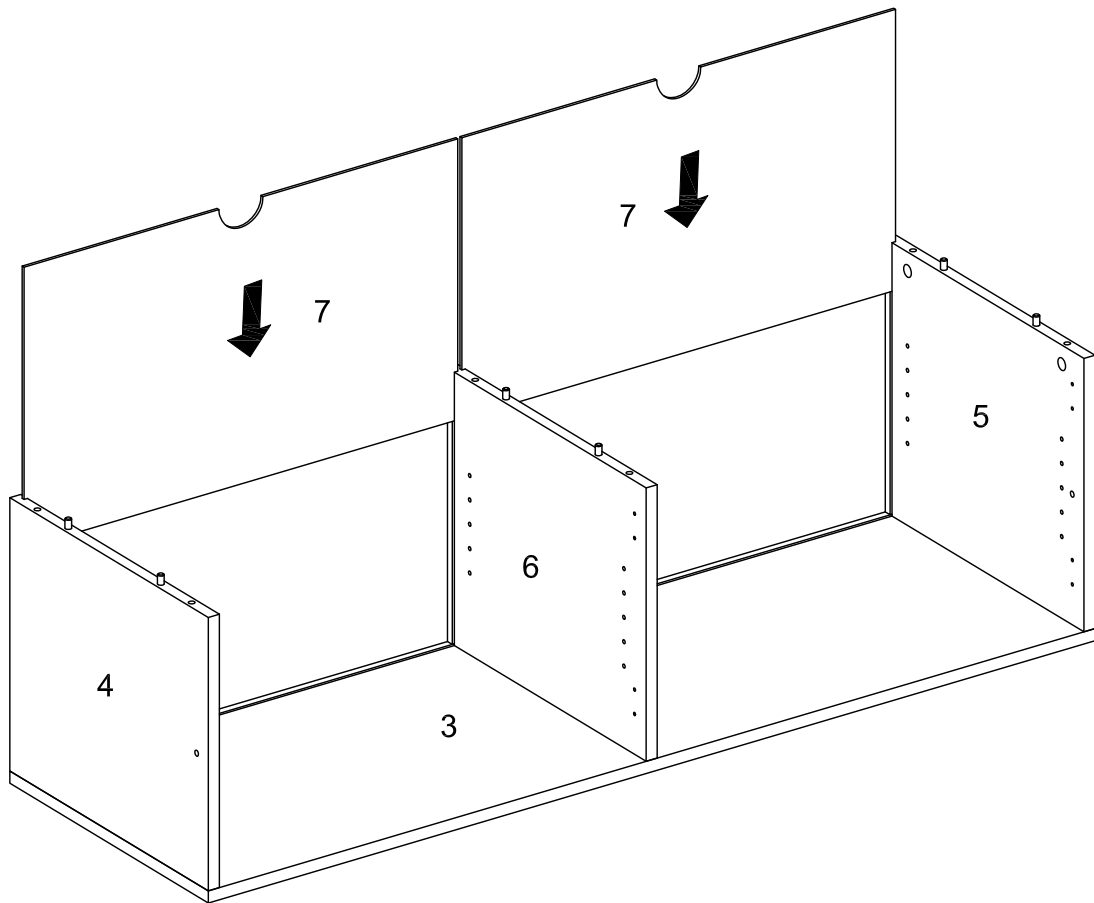
Insert wooden A) into part (4, 5, 6) as per diagram.

# Step 3



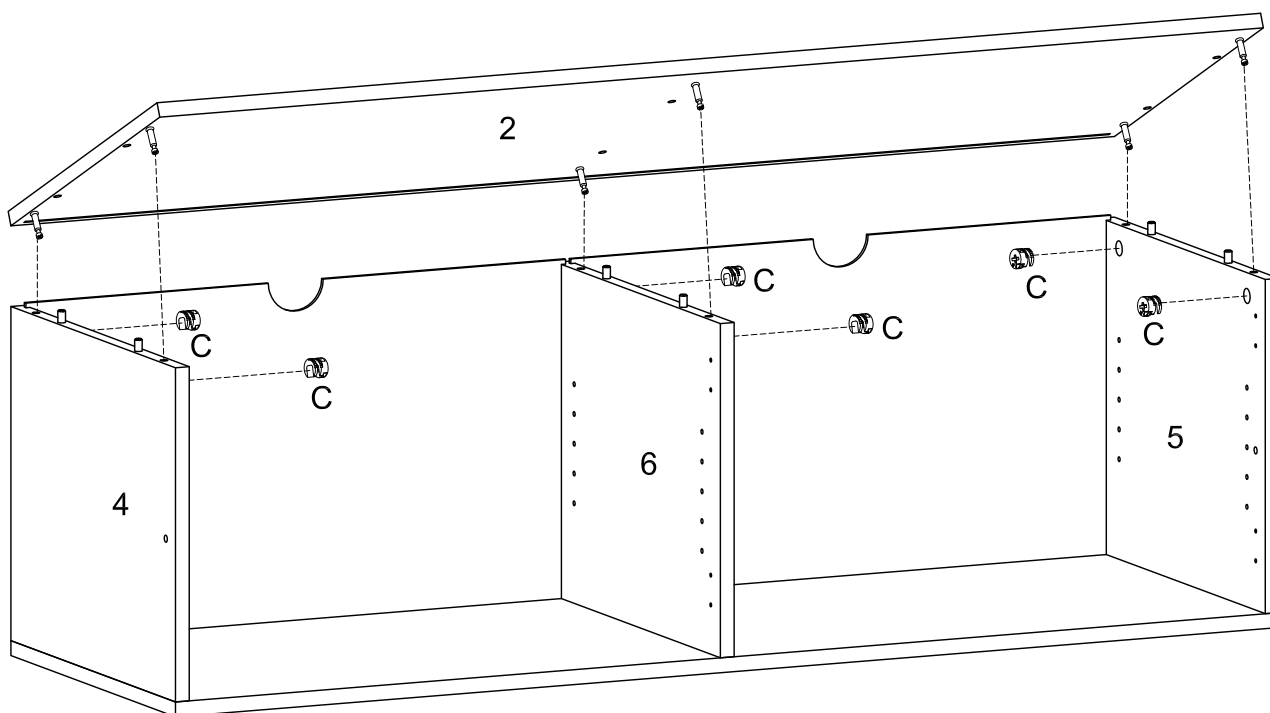
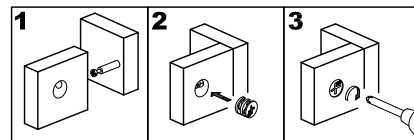
Attach part (3) to part (4, 5, 6) using screw (E) with hex key (N) as per diagram.

# Step 4



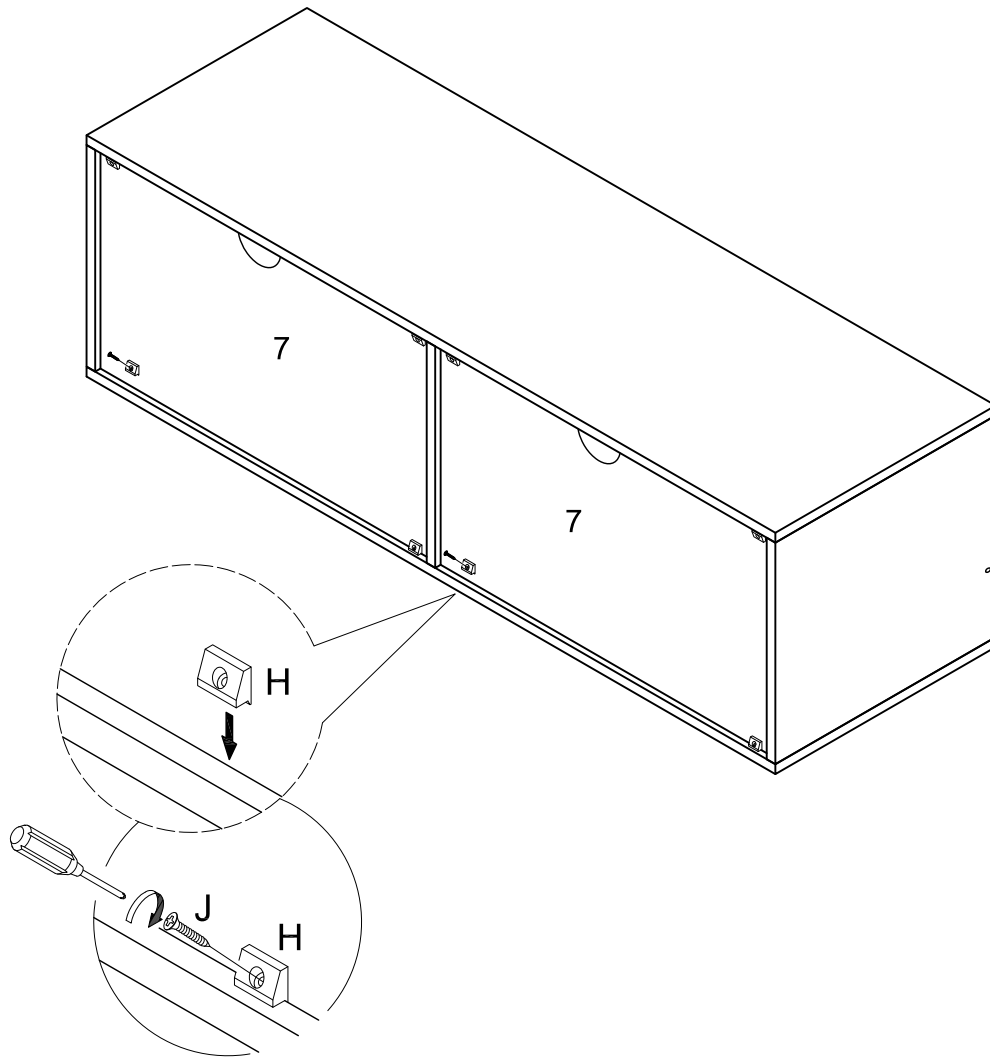
Slide part (7) into grooves of part (4, 5, 6) as per diagram.

# Step 5



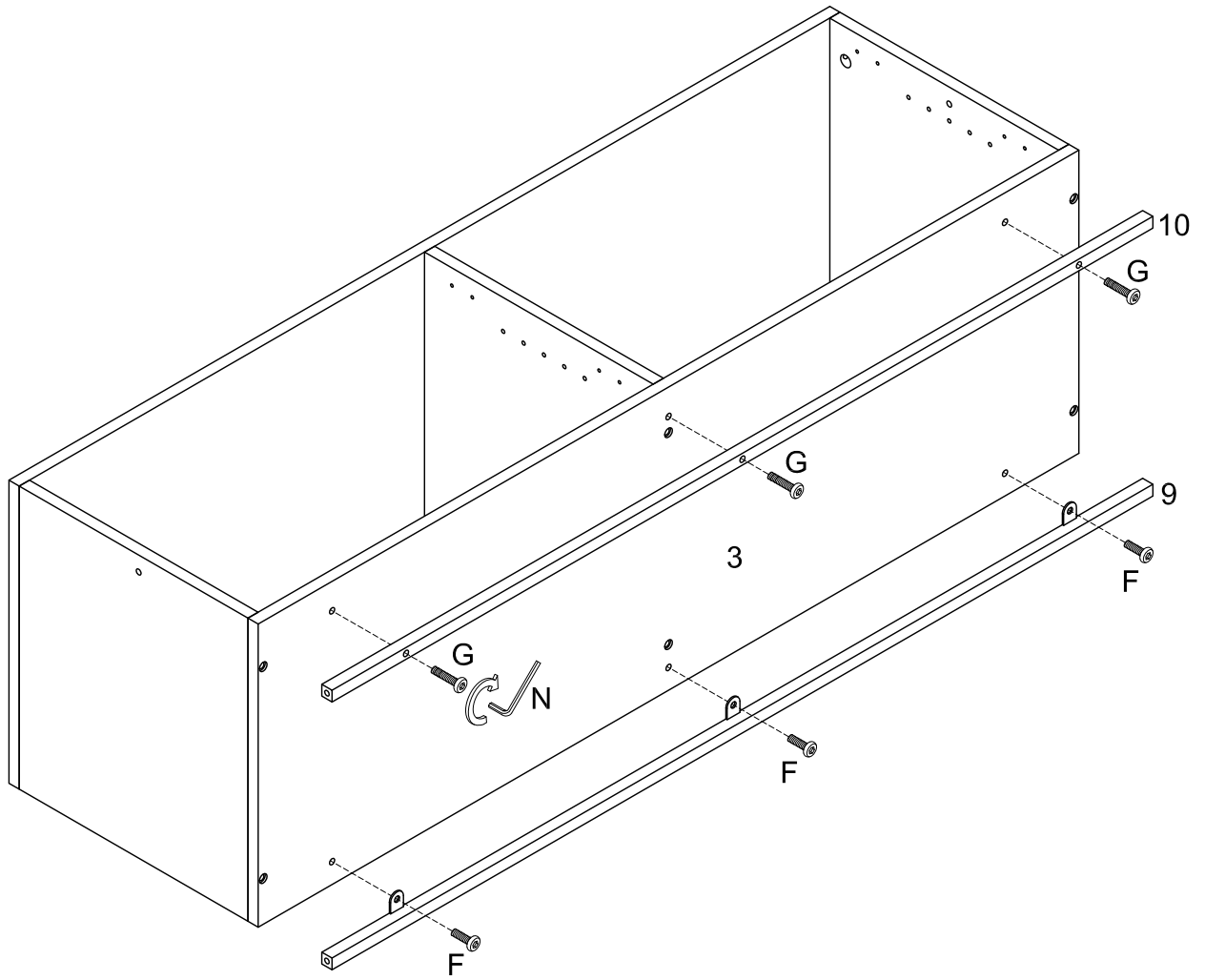
Attach part (2) to part (4, 5, 6) using cam lock (C) with head screwdriver as per diagram.

# Step 6



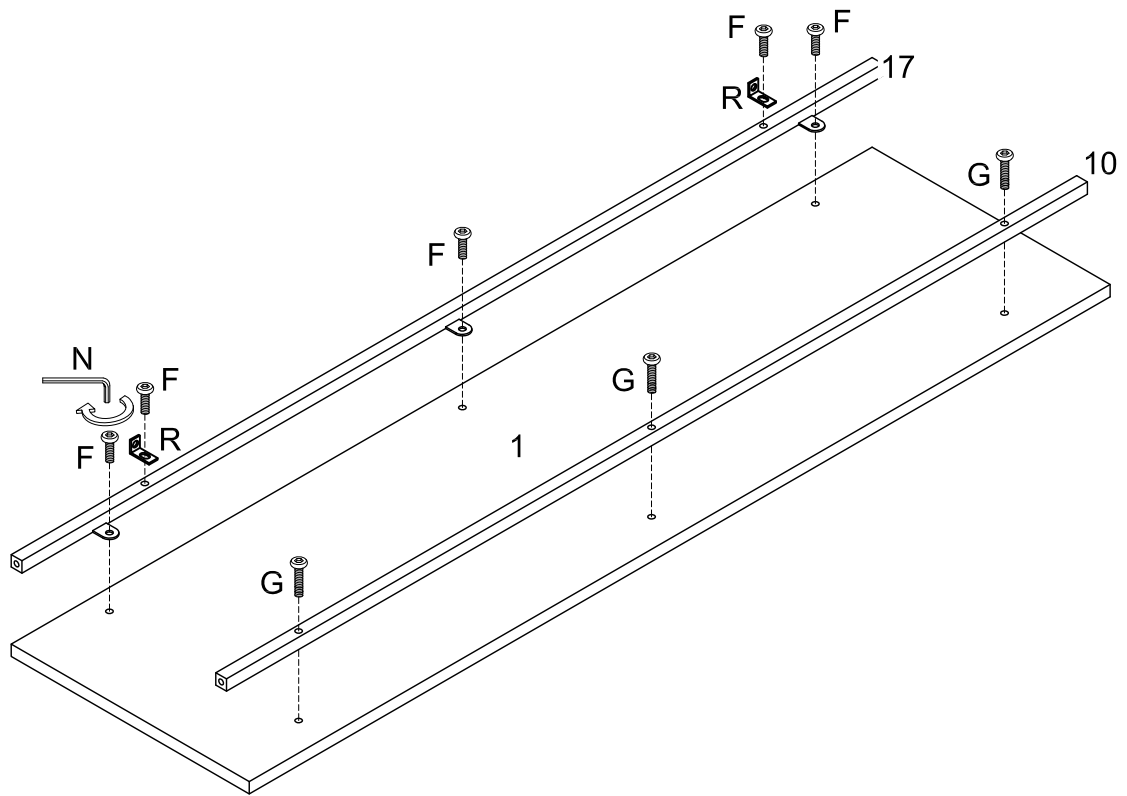
Secure plastic wedge (H) to back panel of part (7) using screw (J) with head screwdriver as per diagram.

# Step 7



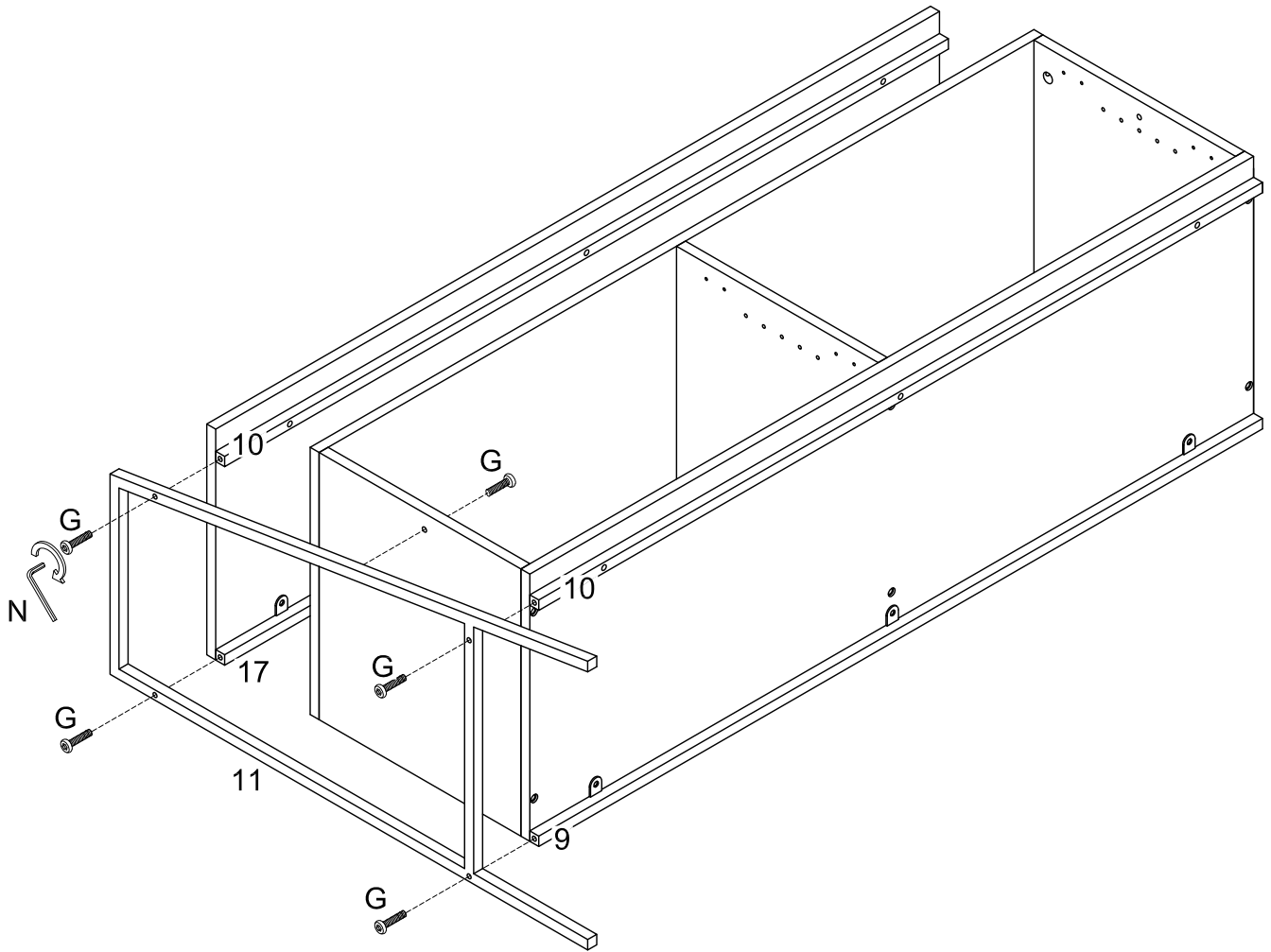
Attach part (9, 10) to part (3) using bolt (F, G) with hex key (N) as per diagram.

# Step 8



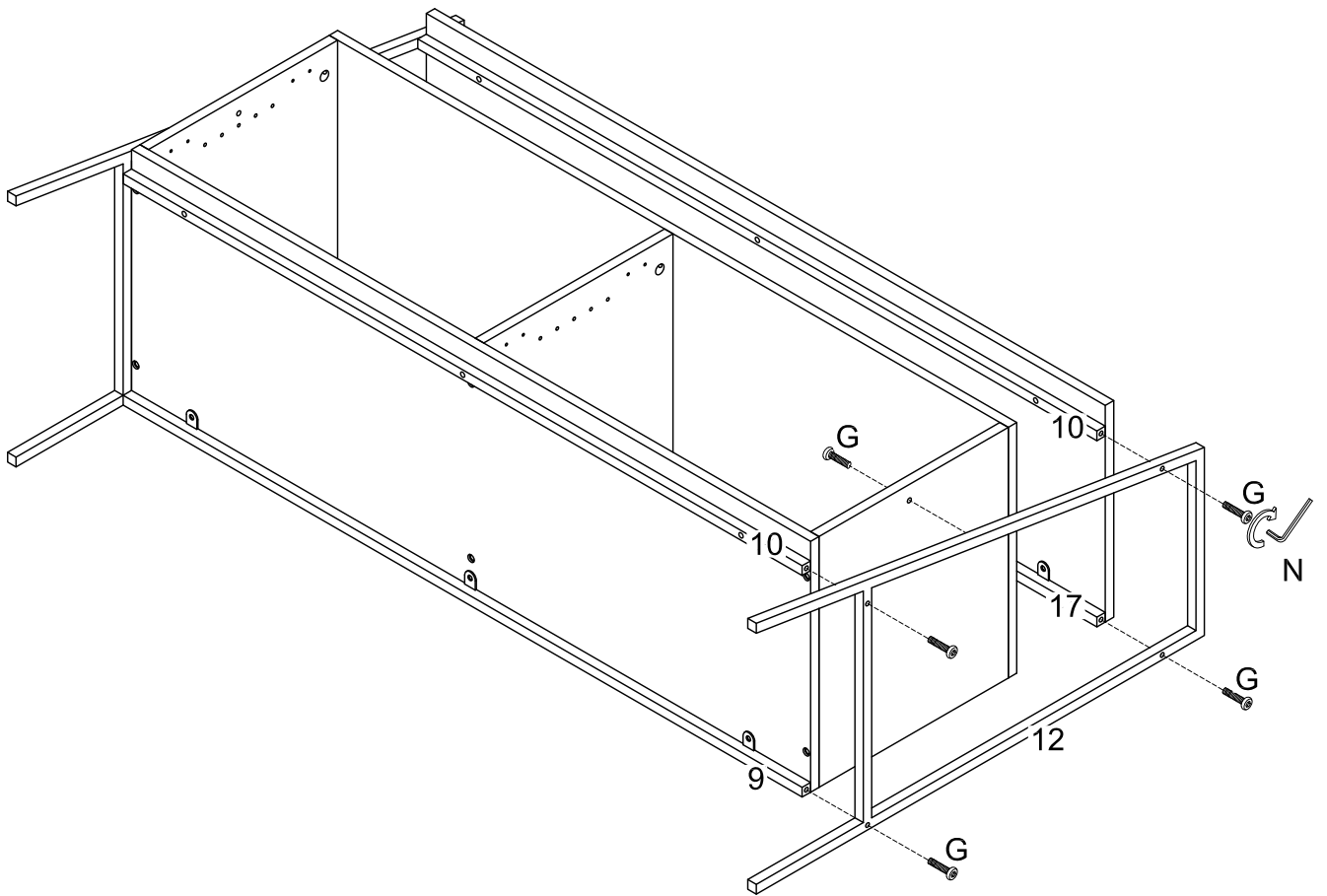
Attach L shape bracket (R) to part (17) with hex key (N) as per diagram.  
Attach part (17, 10) to part (1) using bolt (F, G) with hex key (N) as per diagram.

# Step 9



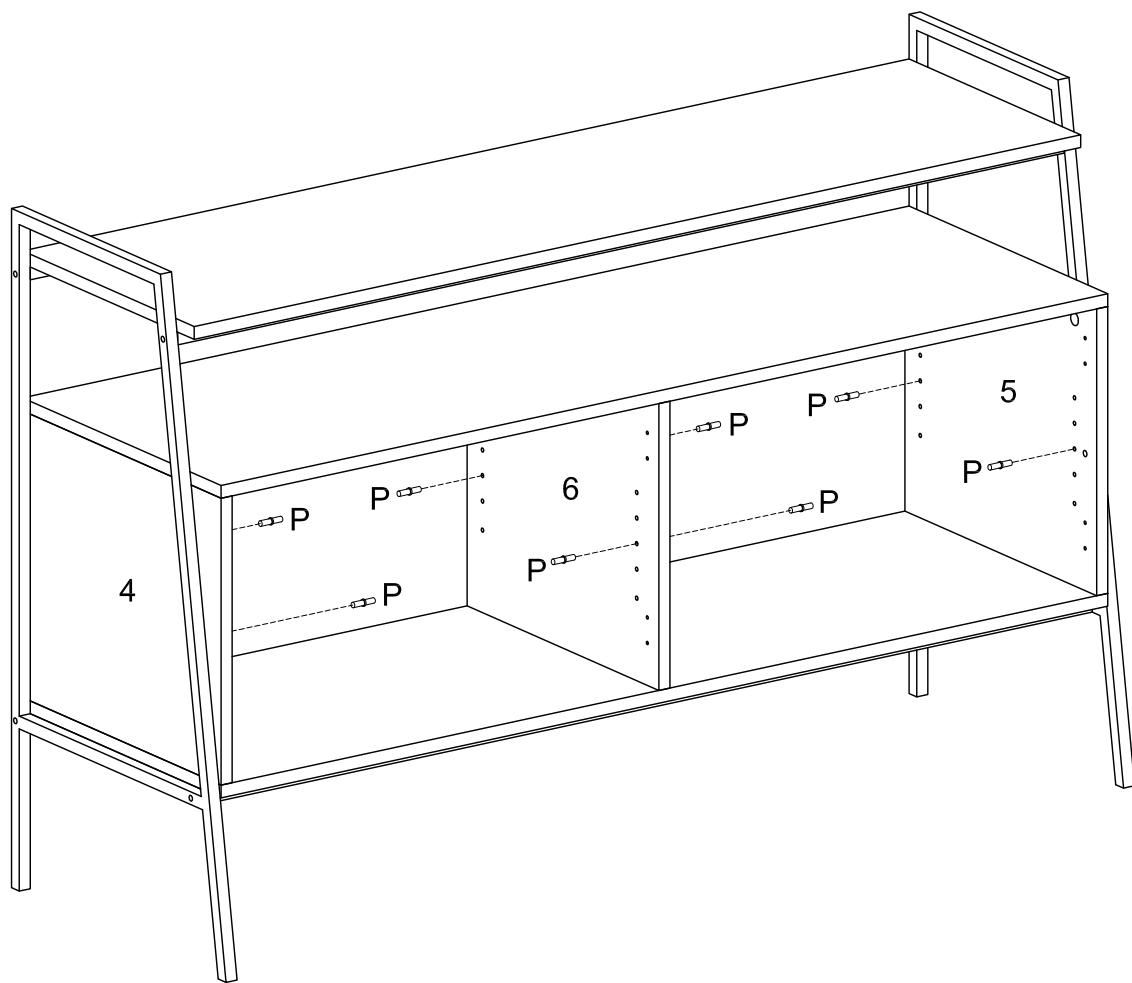
Attach part (11) to part (4, 9, 10, 17) using bolt (G) with hex key (N) as per diagram.

# Step 10



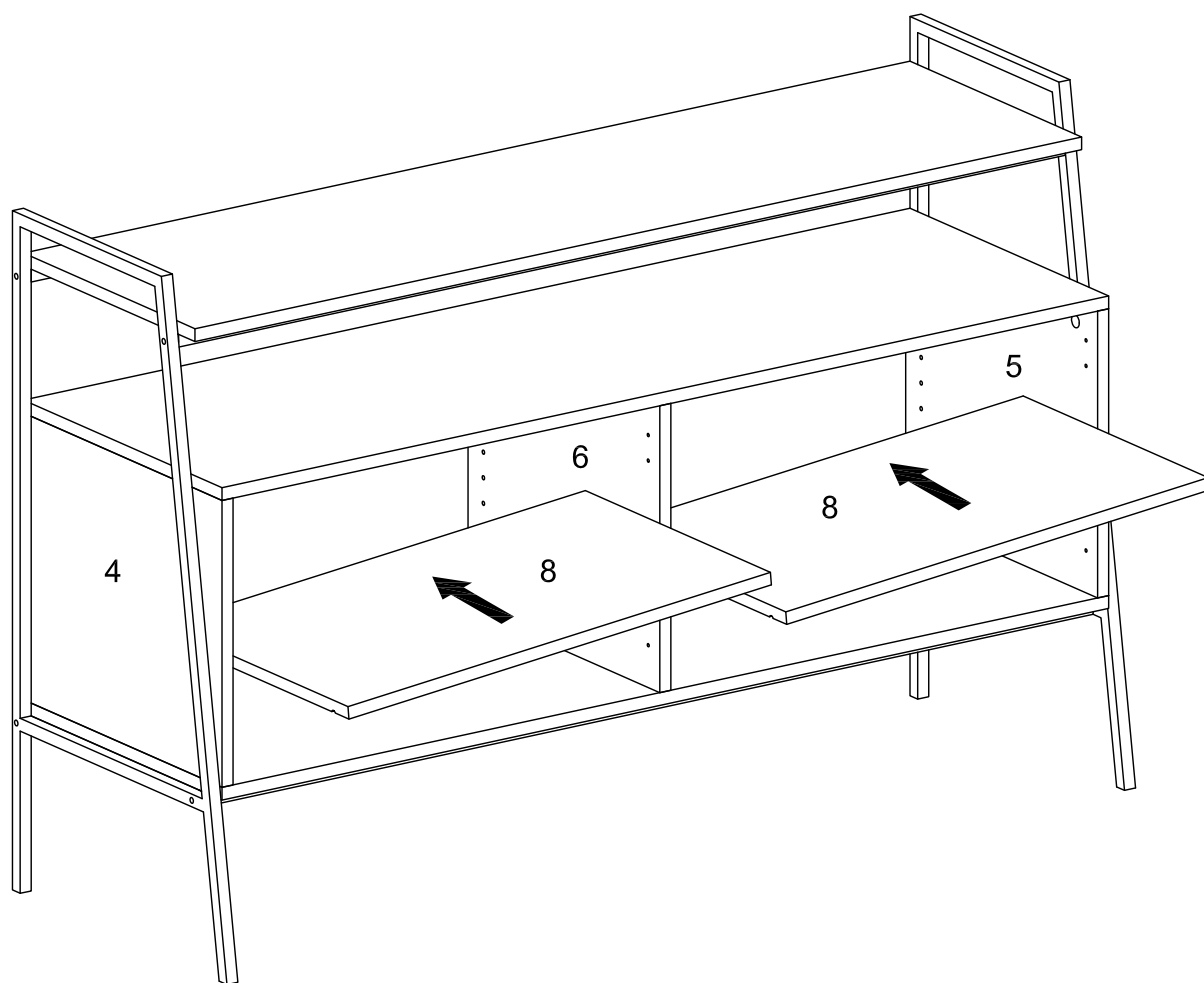
Attach part (12) to part (5, 9, 10, 17) using bolt (G) with hex key (N) as per diagram.

# Step 11



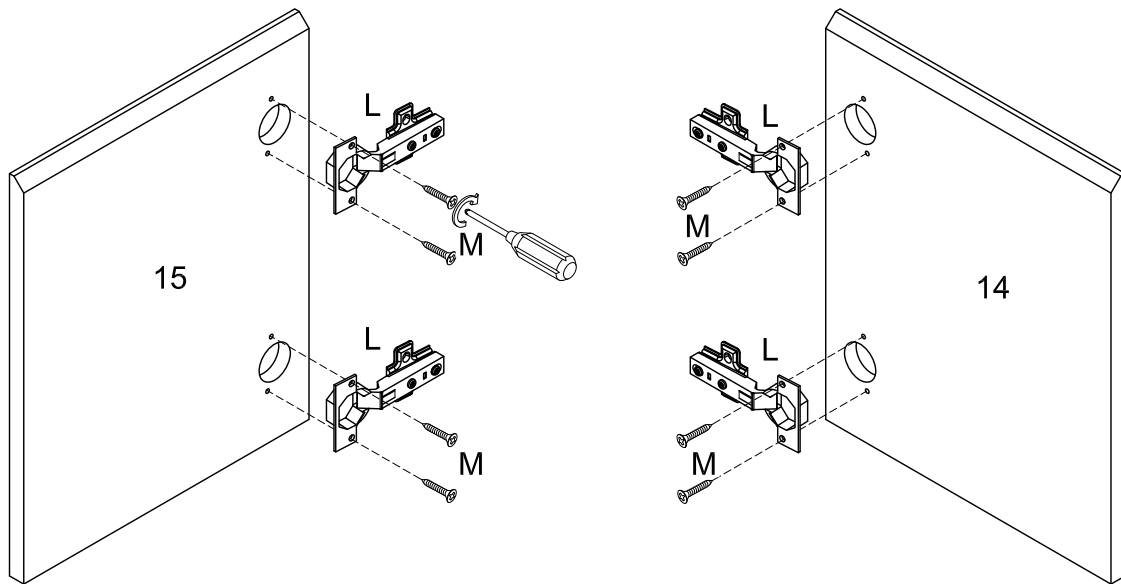
Insert shelf support pin (P) into part (4, 5, 6) as per diagram.

# Step 12



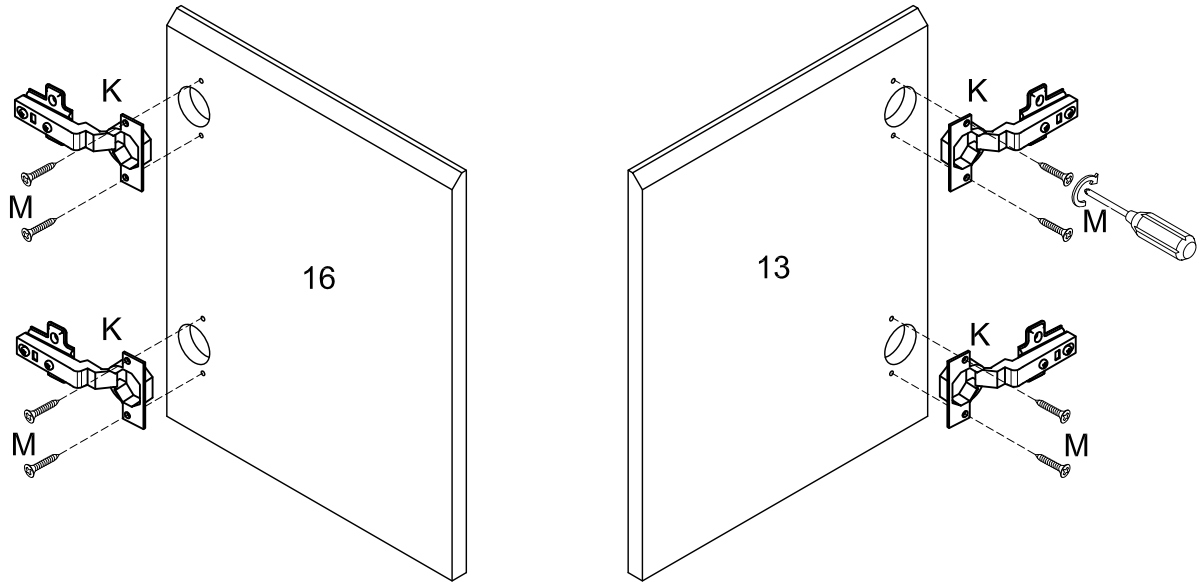
Place part (8) on top of shelf support pin (P).

# Step 13



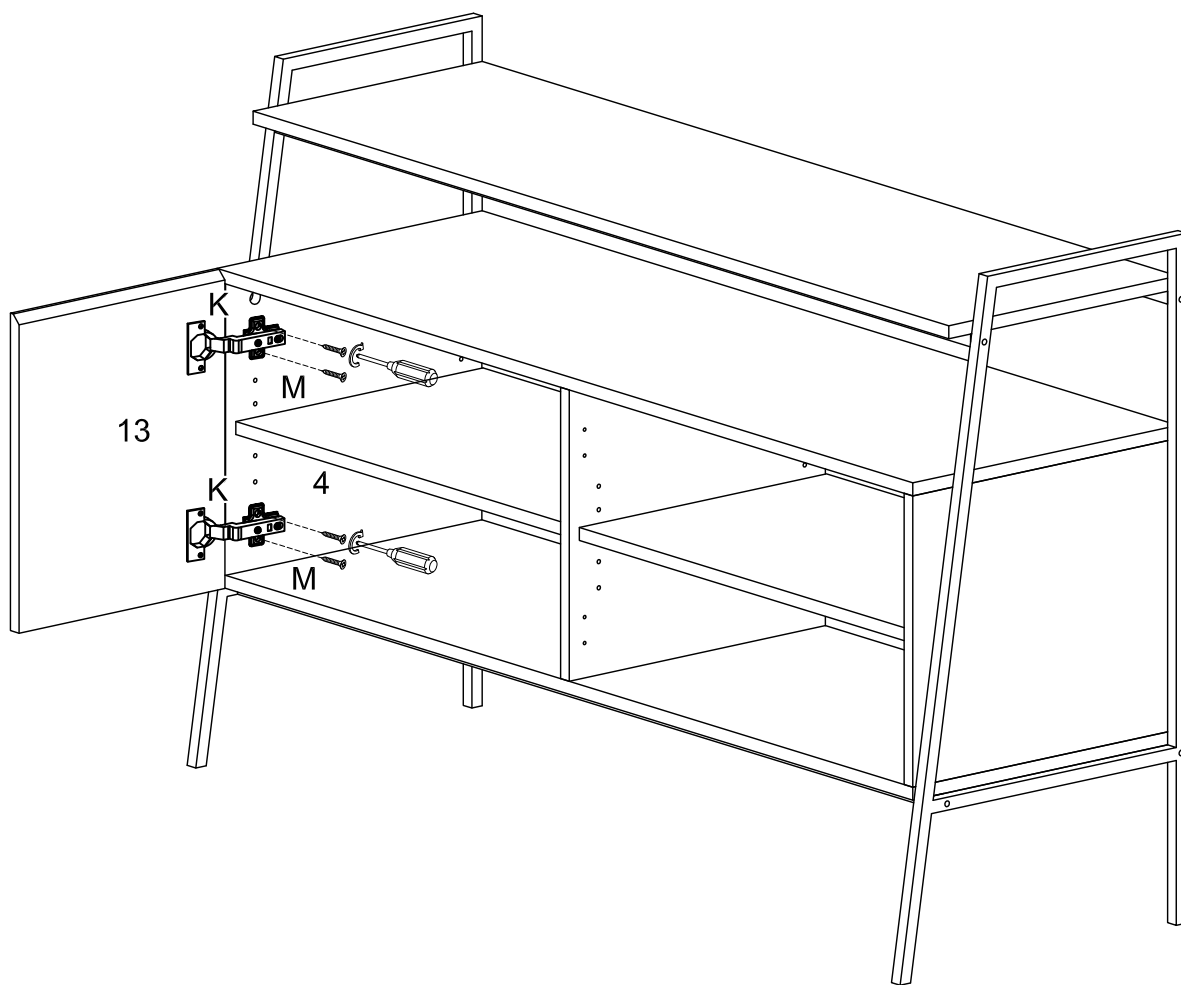
Attach hinge (L) to part (14, 15) using screw (M) with head screwdriver as per diagram.

# Step 14



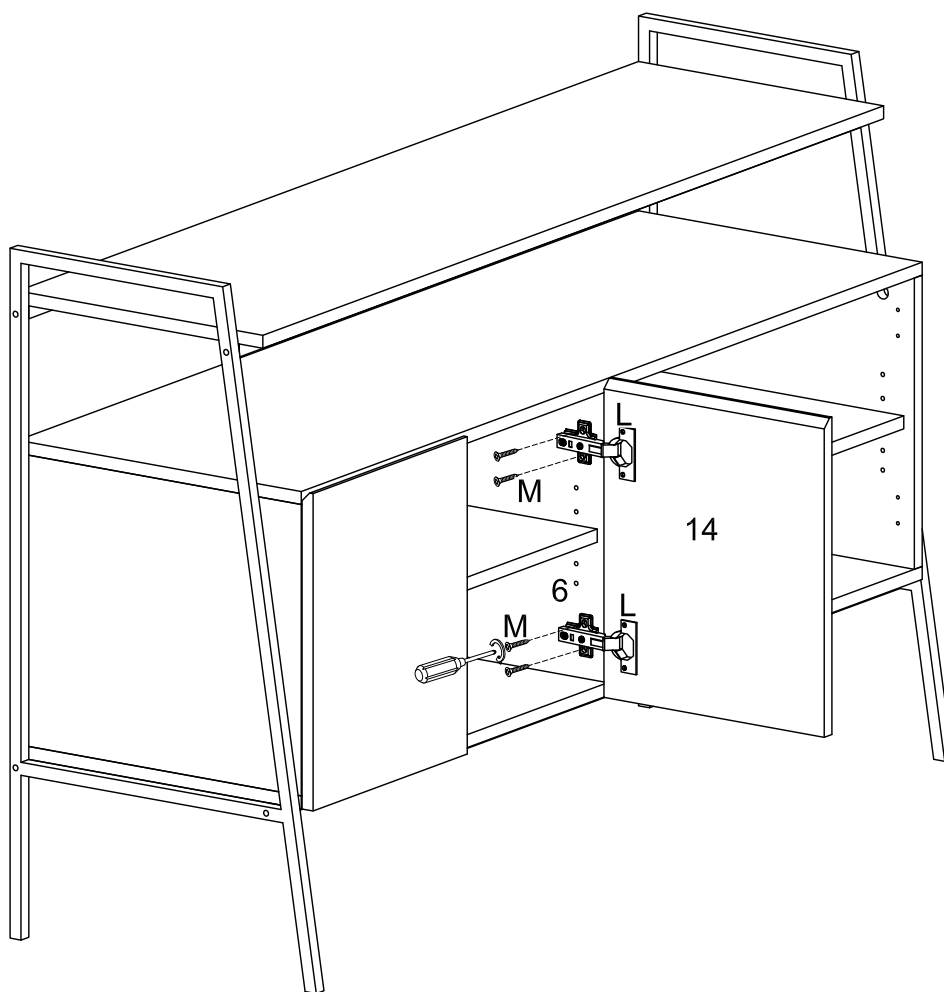
Attach hinge (K) to part (16, 13) using screw (M) with head screwdriver as per diagram.

## Step 15



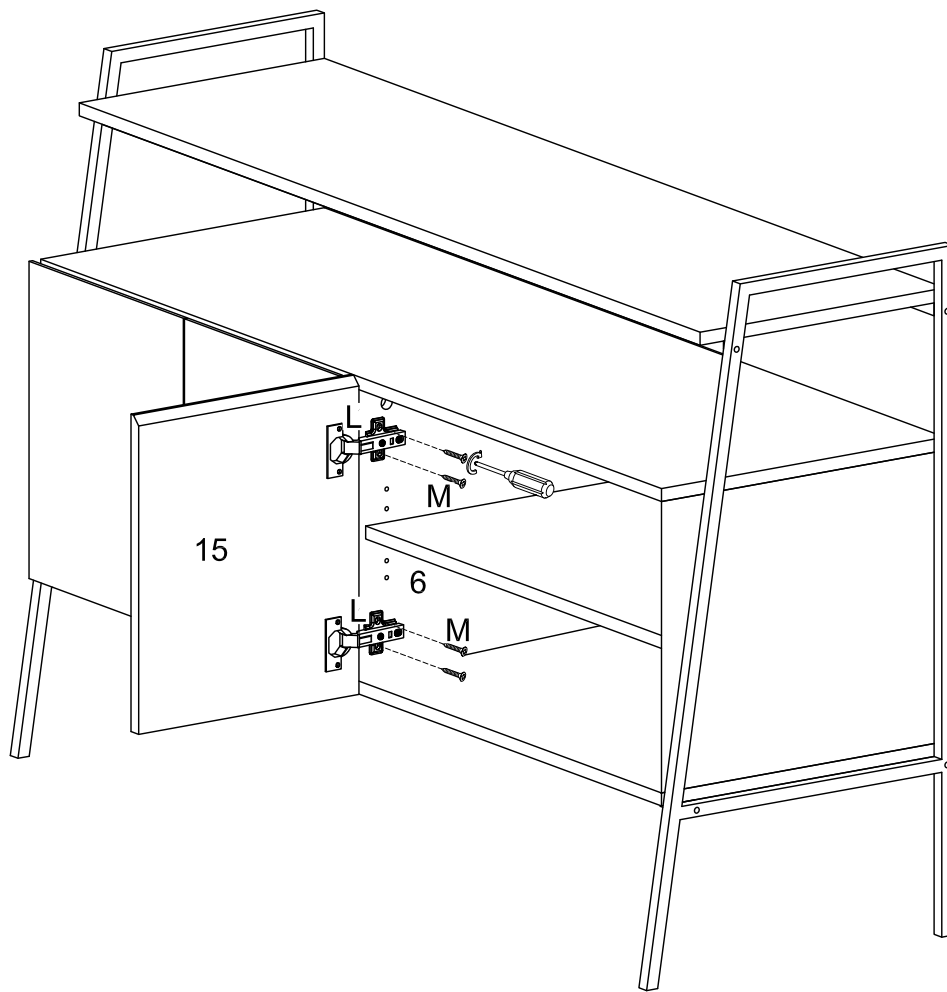
Attach hinge (K) and part (13) to part (4) using screw (M) with head screwdriver as per diagram.

# Step 16



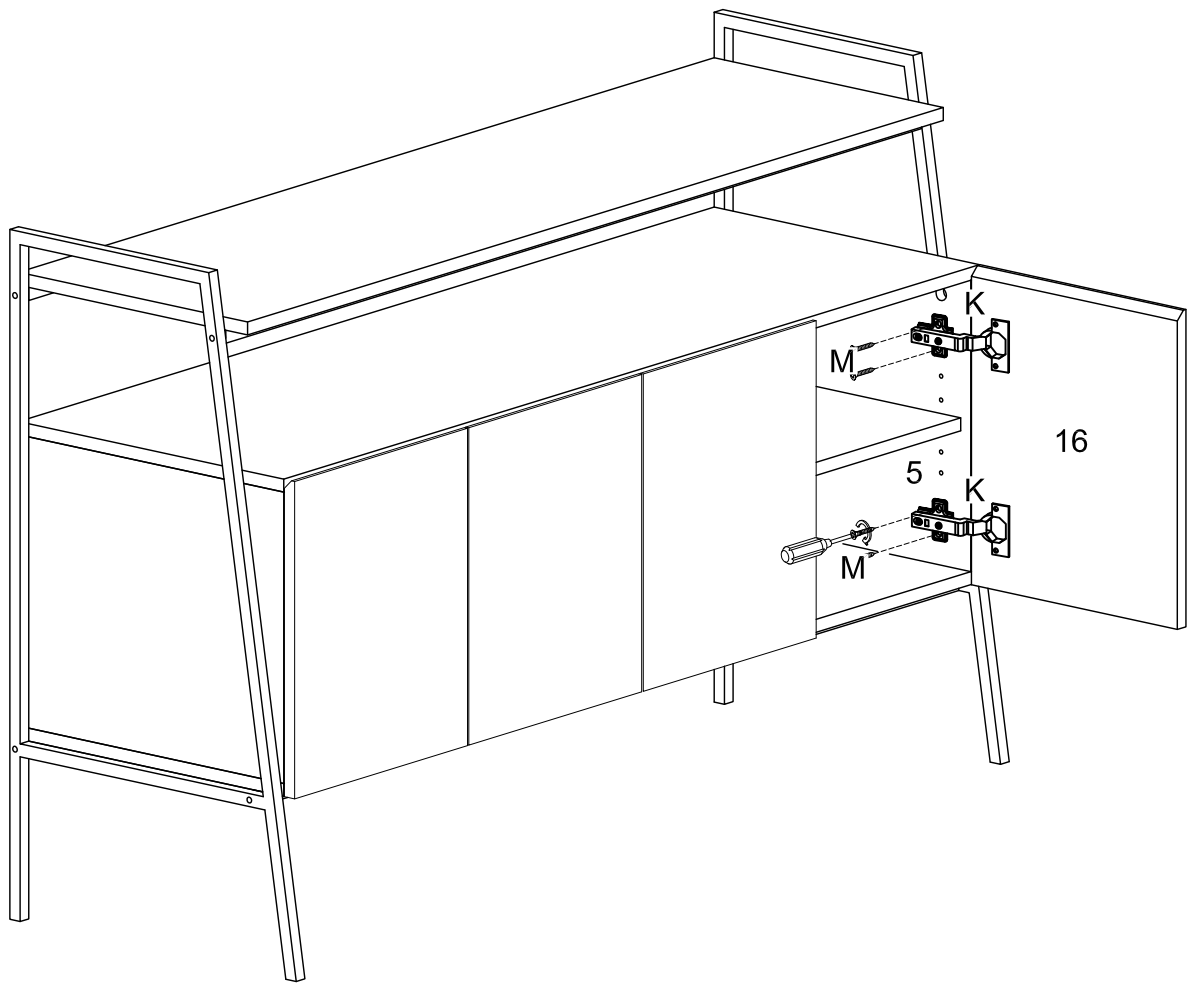
Attach hinge (L) and part (14) to part (6) using screw (M) with head screwdriver as per diagram.

# Step 17



Attach hinge (L) and part (15) to part (6) using screw (M) with head screwdriver as per diagram.

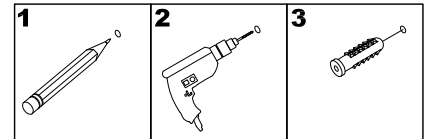
## Step 18



Attach hinge (K) and part (16) to part (5) using screw (M) with head screwdriver as per diagram.

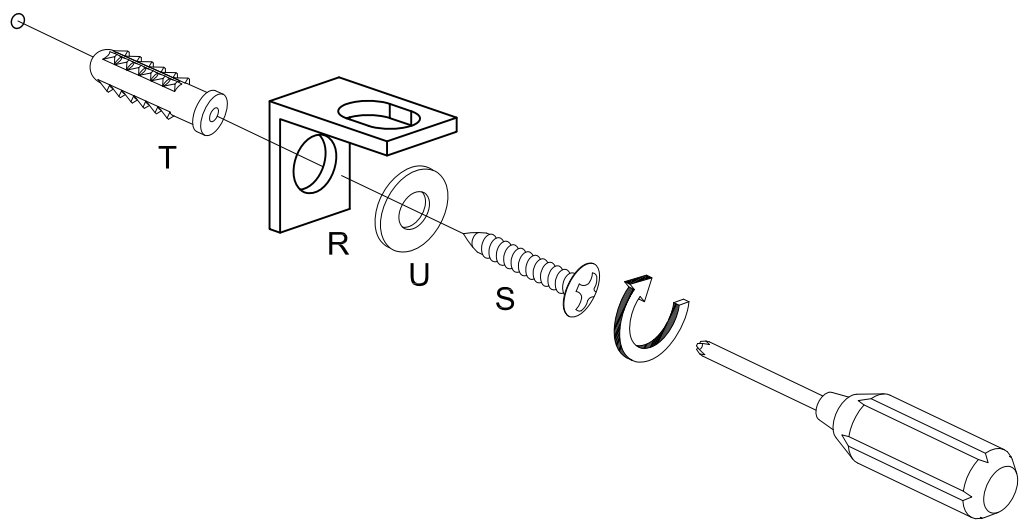
# Step 19

## WARNING



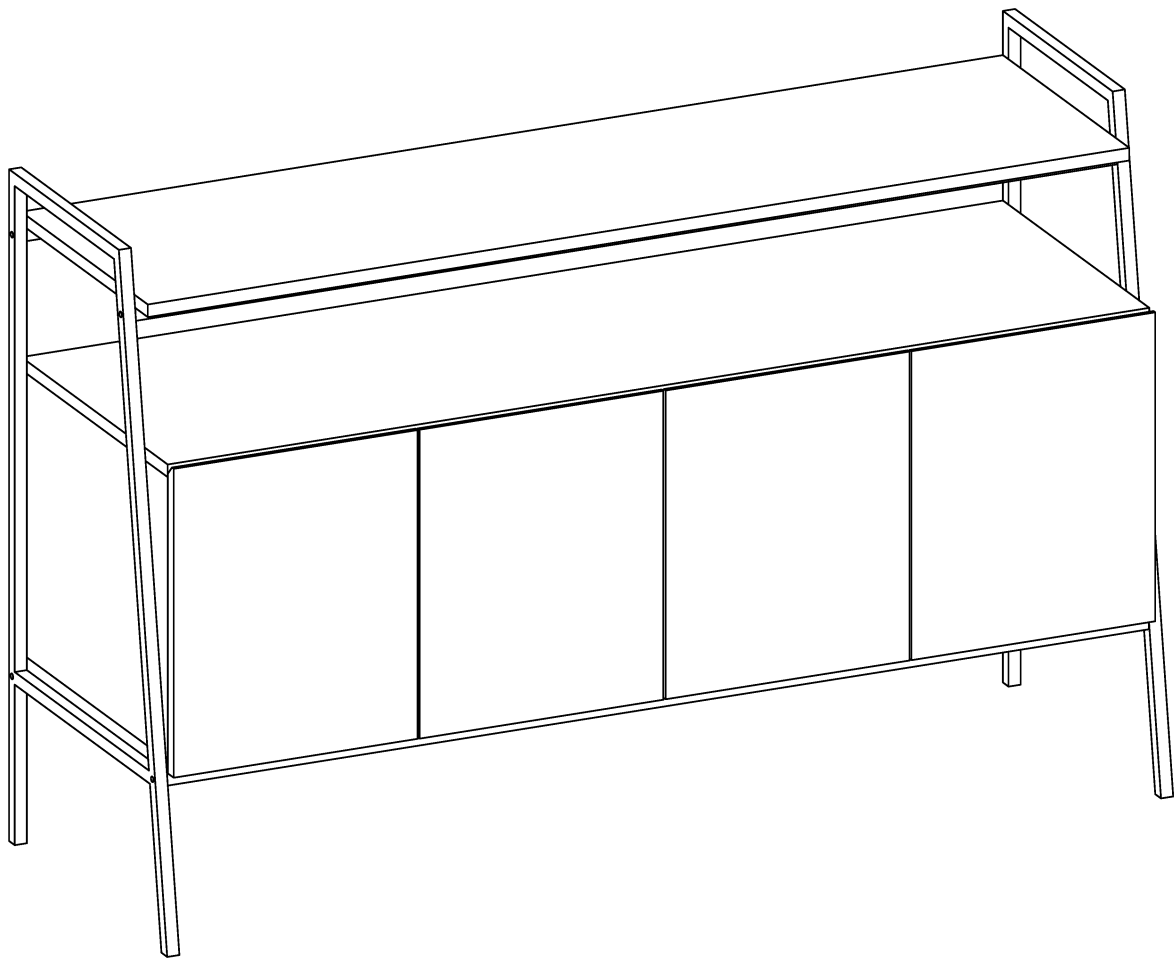
Serious or fatal injuries can occur from furniture tipping over. To prevent the furniture from tipping over we recommend that it is permanently fixed to the wall. Wall anchor and hardware are included with this product. Please make sure hardware is suitable for your walls before installing, as different wall materials may require different types of anchors.

Wall



1. Place unit in desired location and mark the wall for anchor location, drill hole using 6mm size bit.
2. Insert anchor (T) into wall at desired location.
3. Secure furniture to wall using L shape bracket (R) and screw (R) per diagram.

# Step 20



Final Assembly