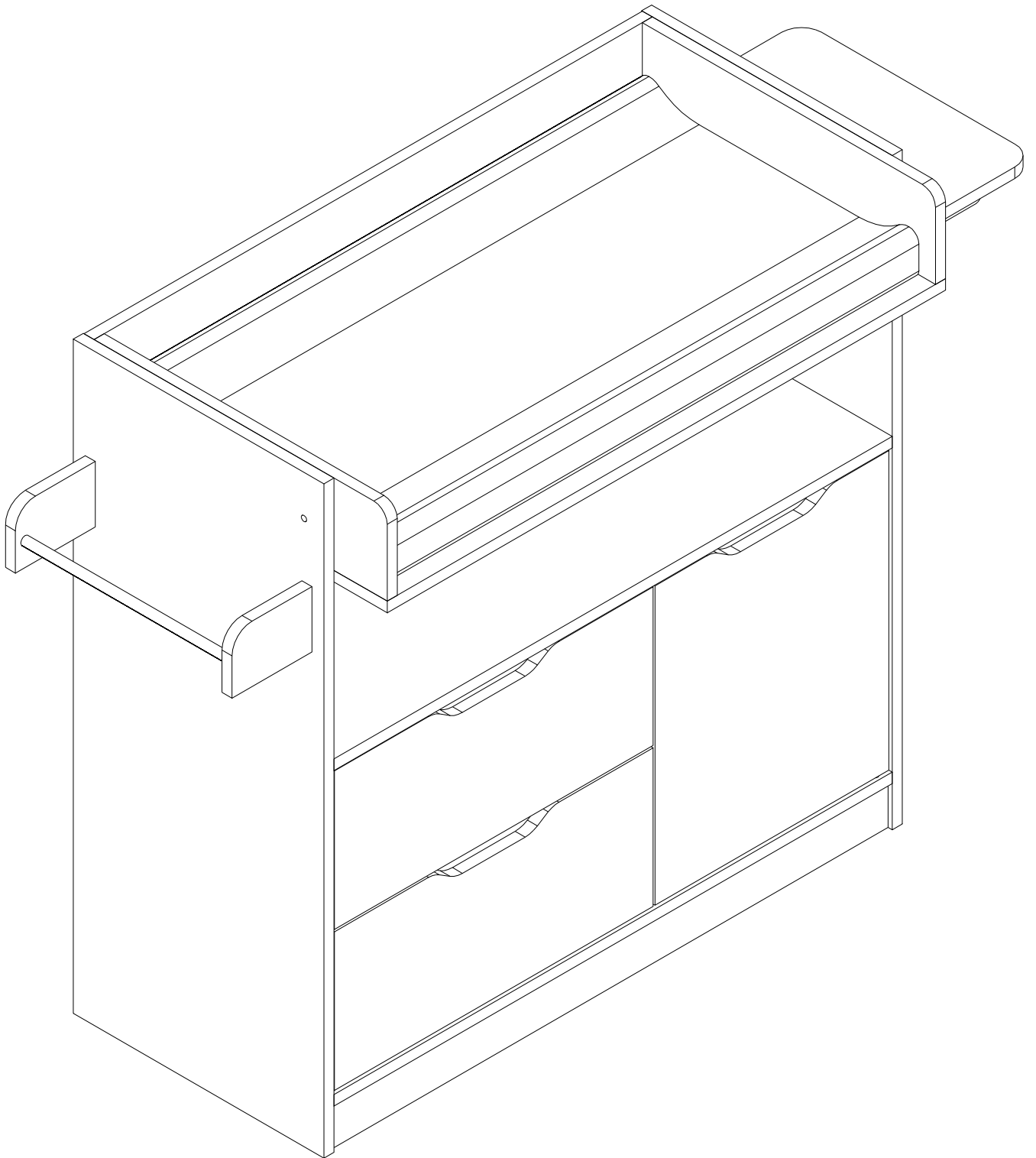
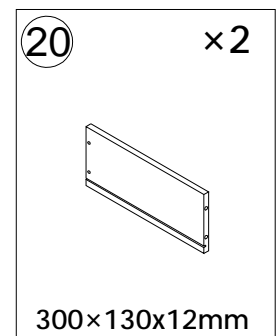
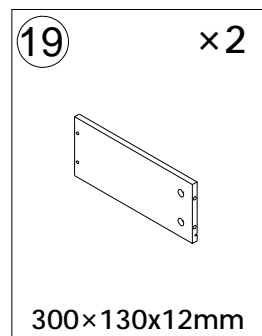
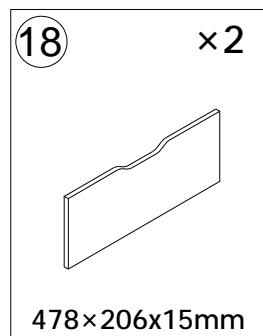
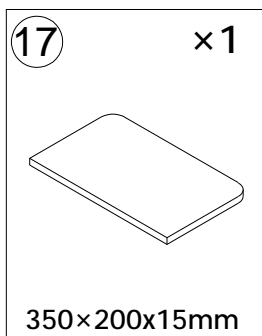
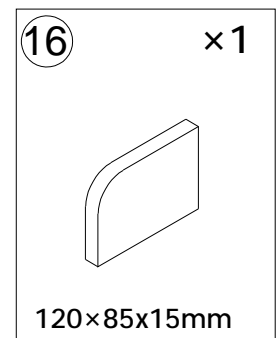
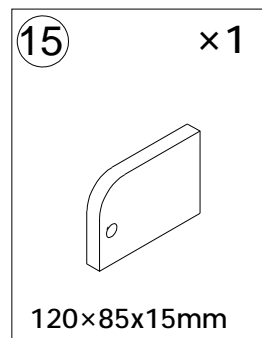
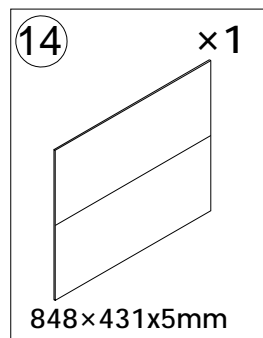
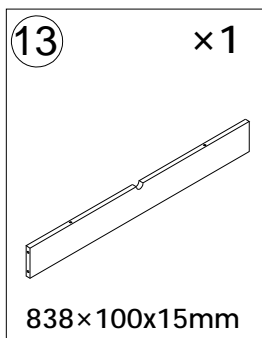
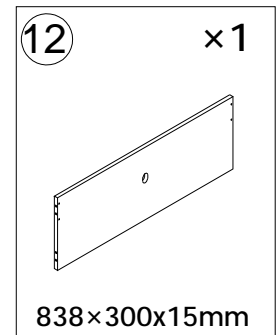
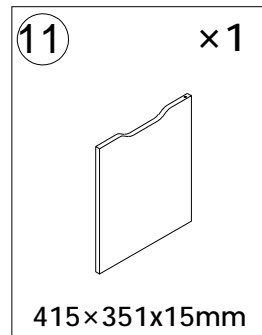
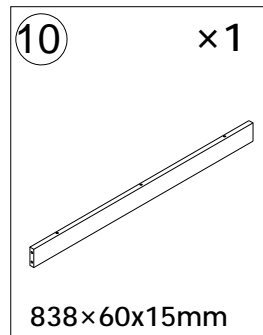
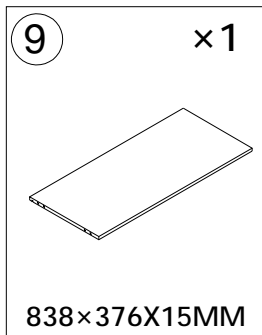
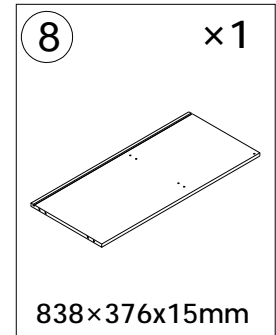
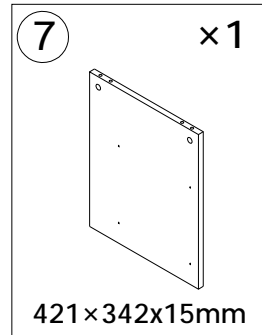
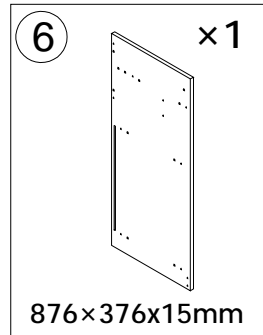
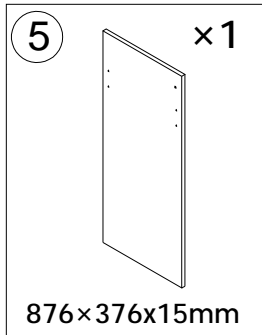
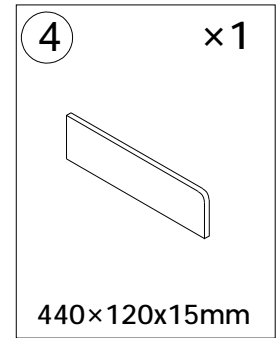
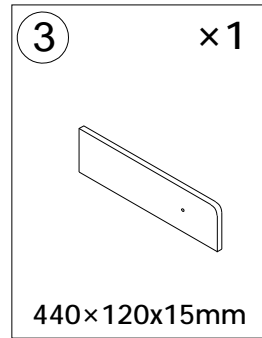
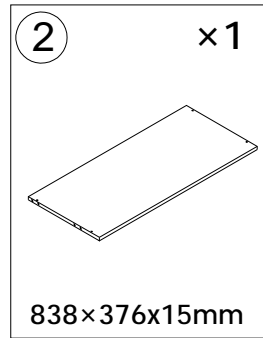
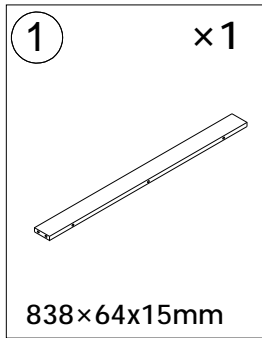


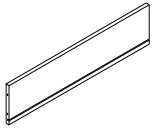
# Installation & Assembly





21

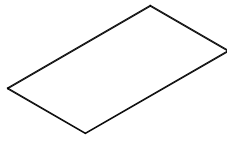
×2



425×130×12mm

22

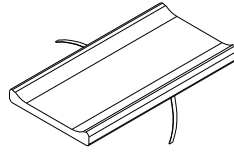
×2



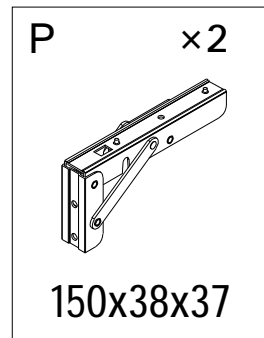
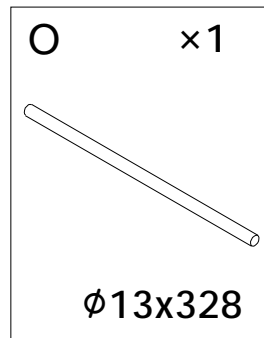
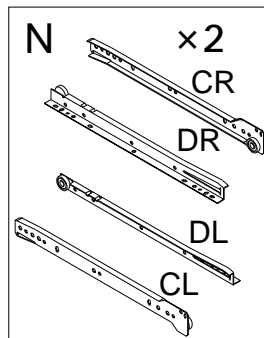
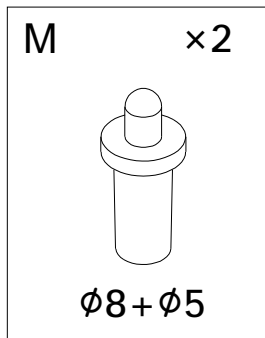
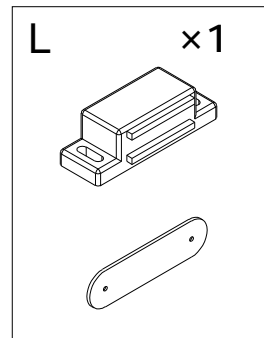
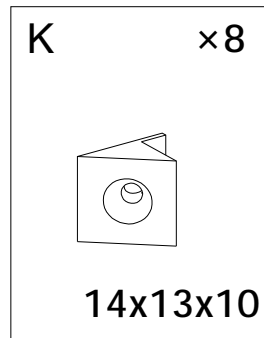
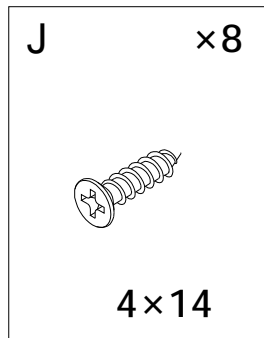
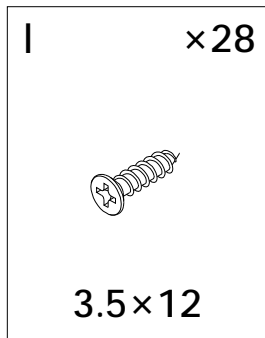
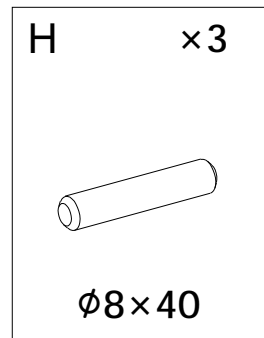
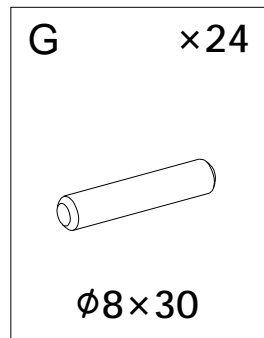
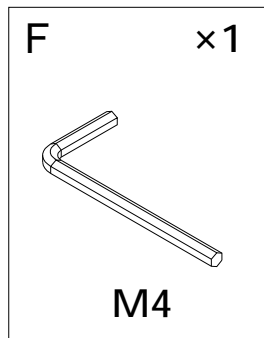
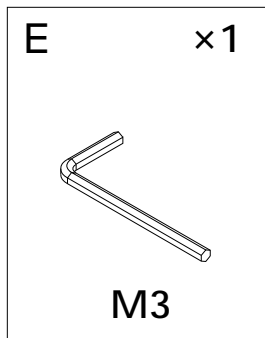
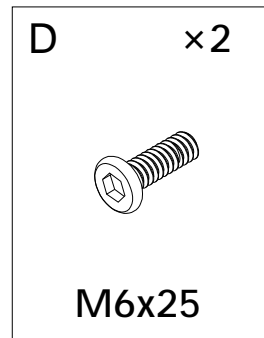
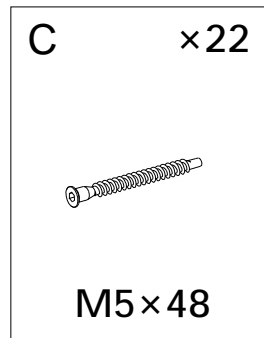
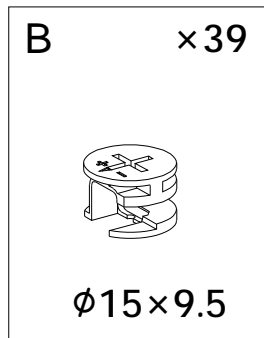
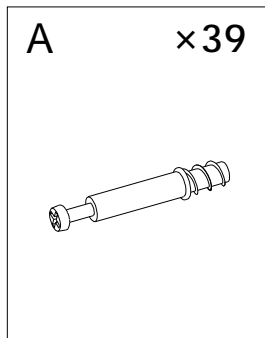
436×297×3mm

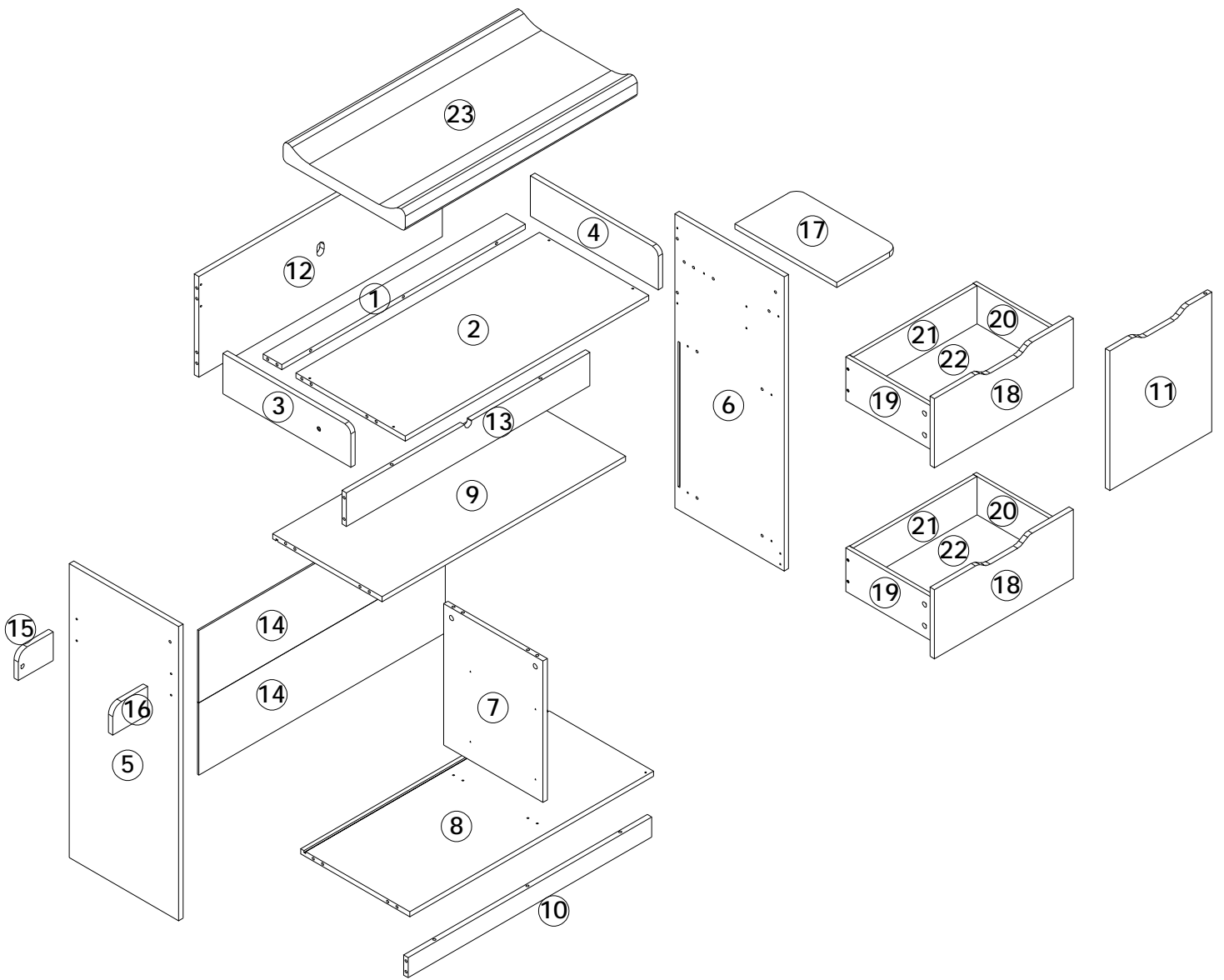
23

×1



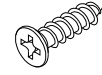
800×420×60mm





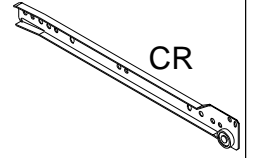
# STEP1

I x4

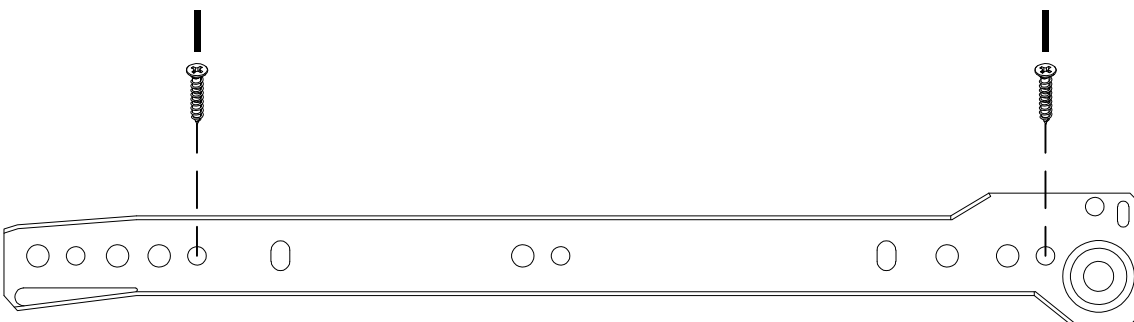
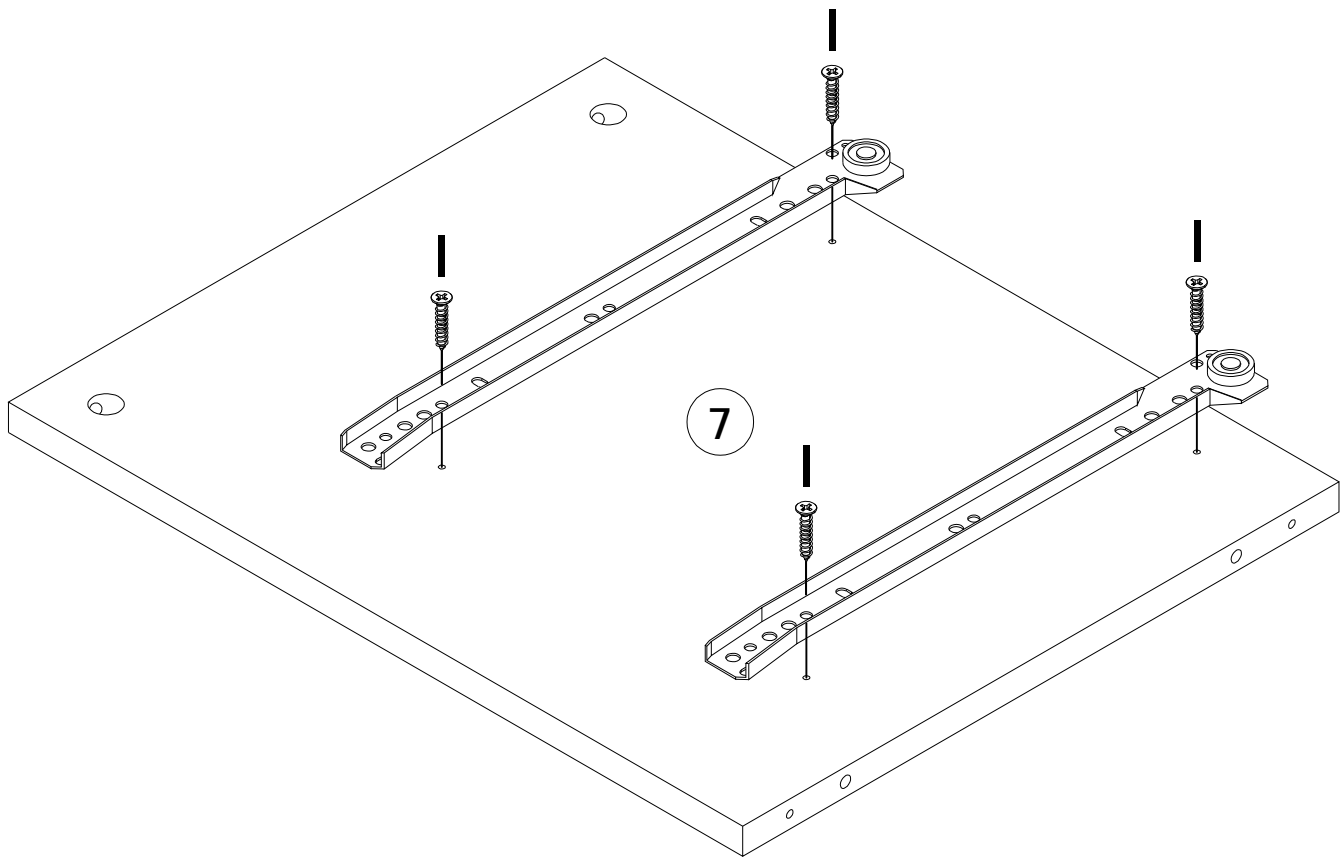


3.5x12

N x2

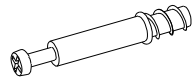


CR

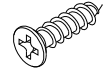


# STEP2

A x2

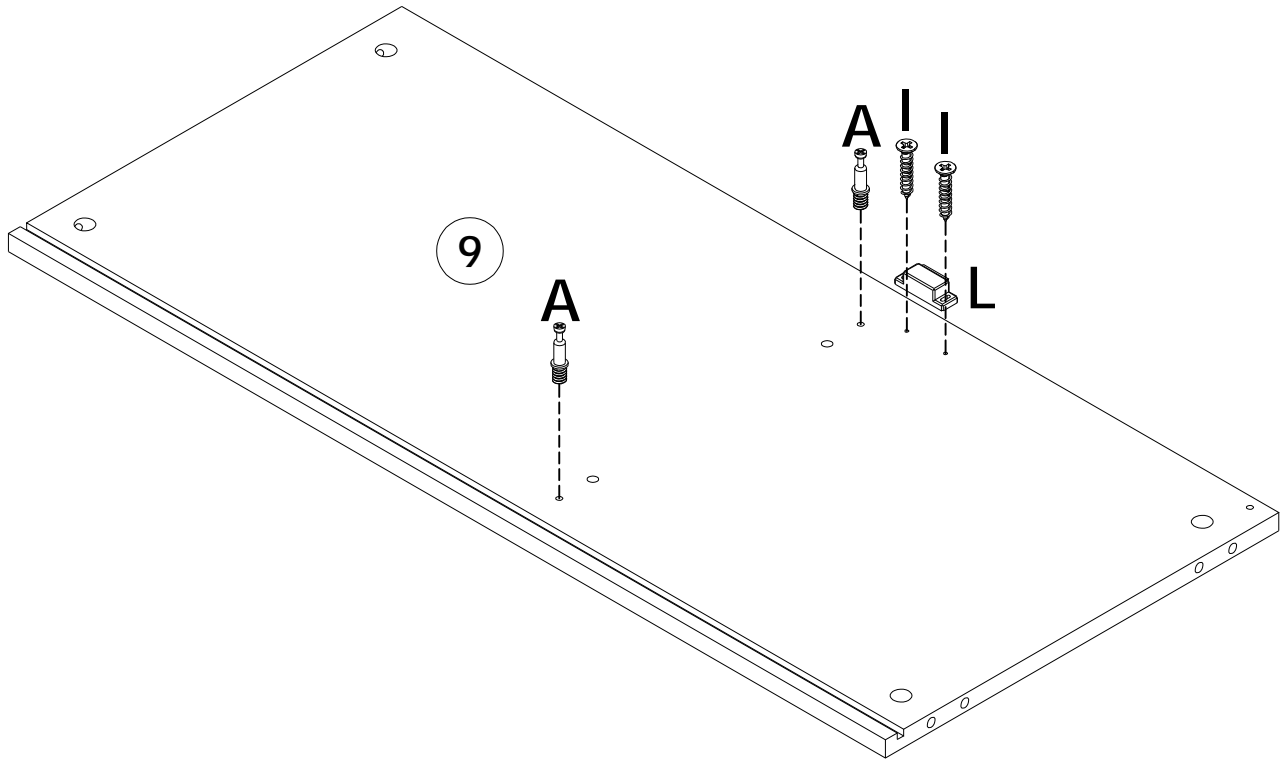
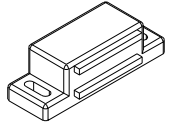


I x2



3.5x12

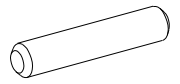
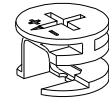
L x1



# STEP3

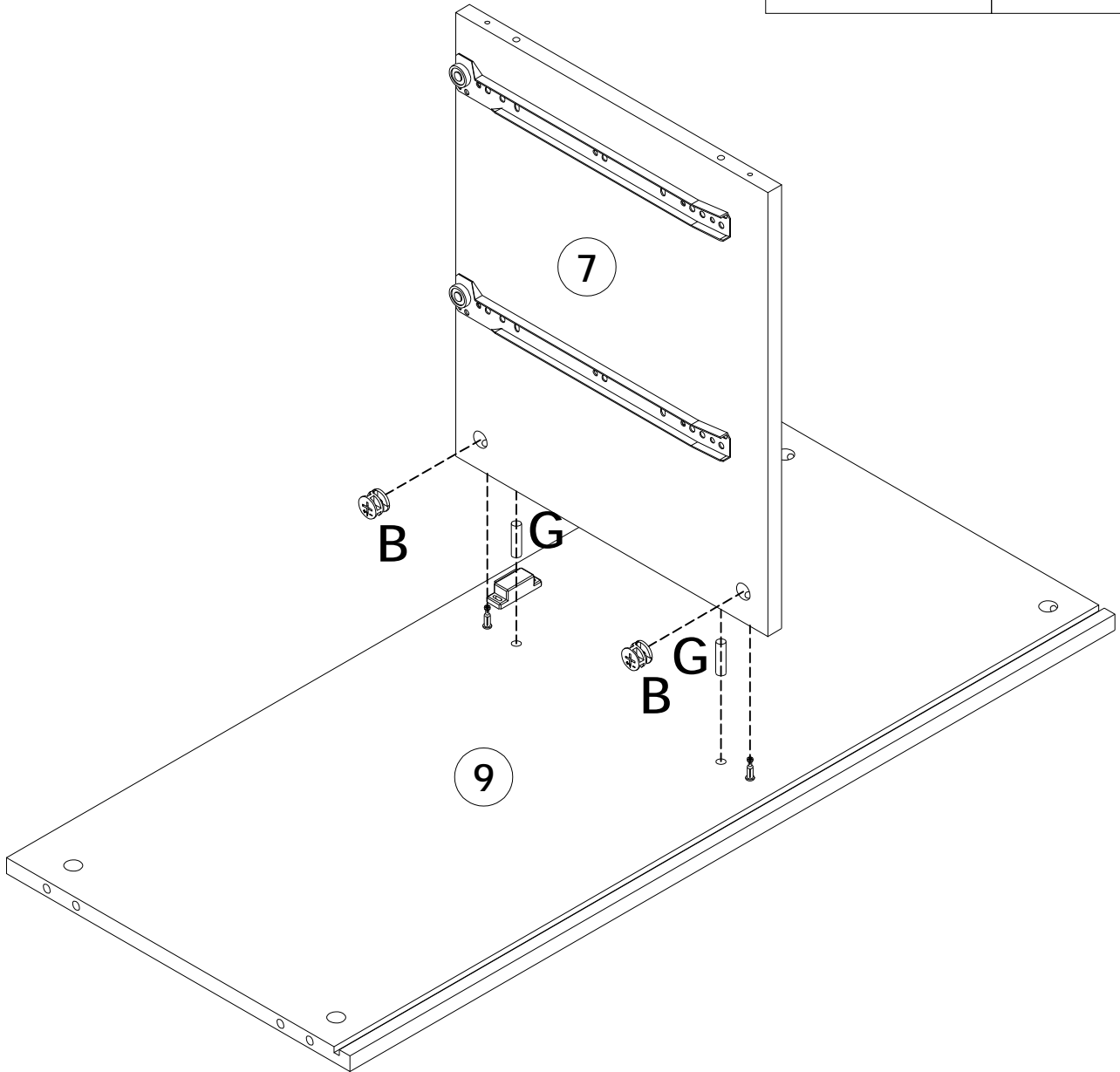
**B** ×2

**G** ×2



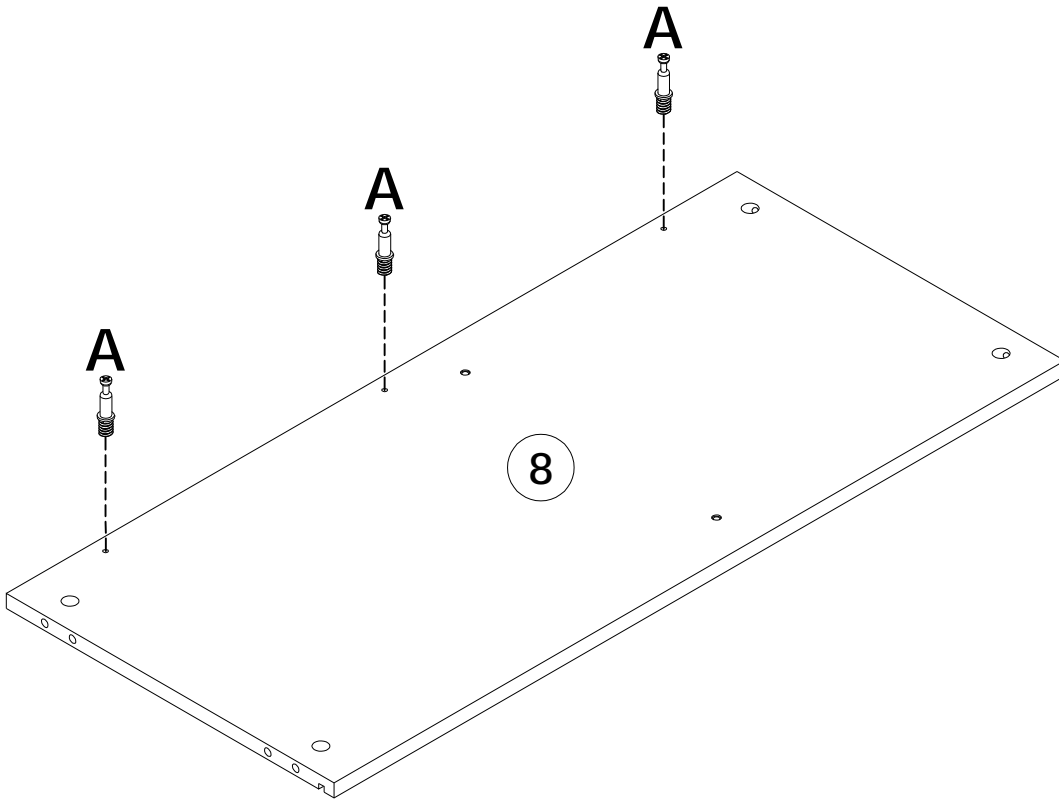
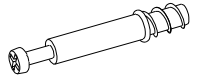
Ø15×9.5

Ø8×30



# STEP4

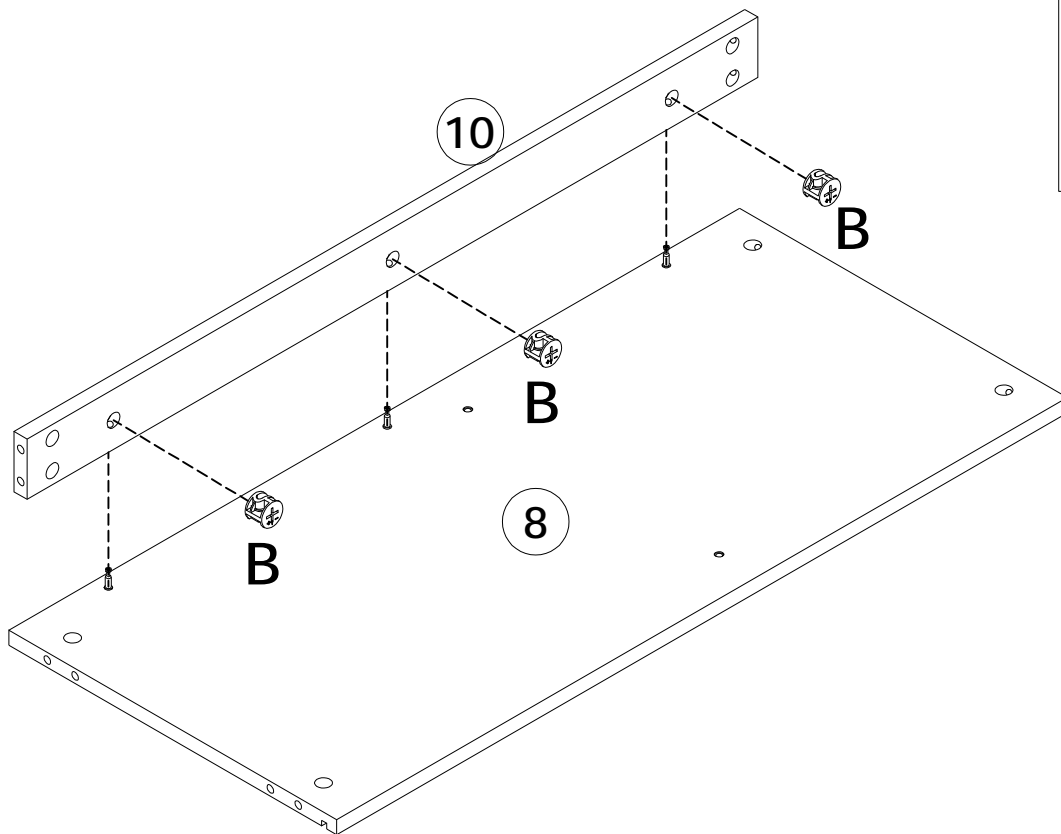
A ×3



B ×3



Ø15×9.5



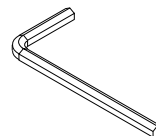
# STEP 5

C ×2



M5×48

E ×1

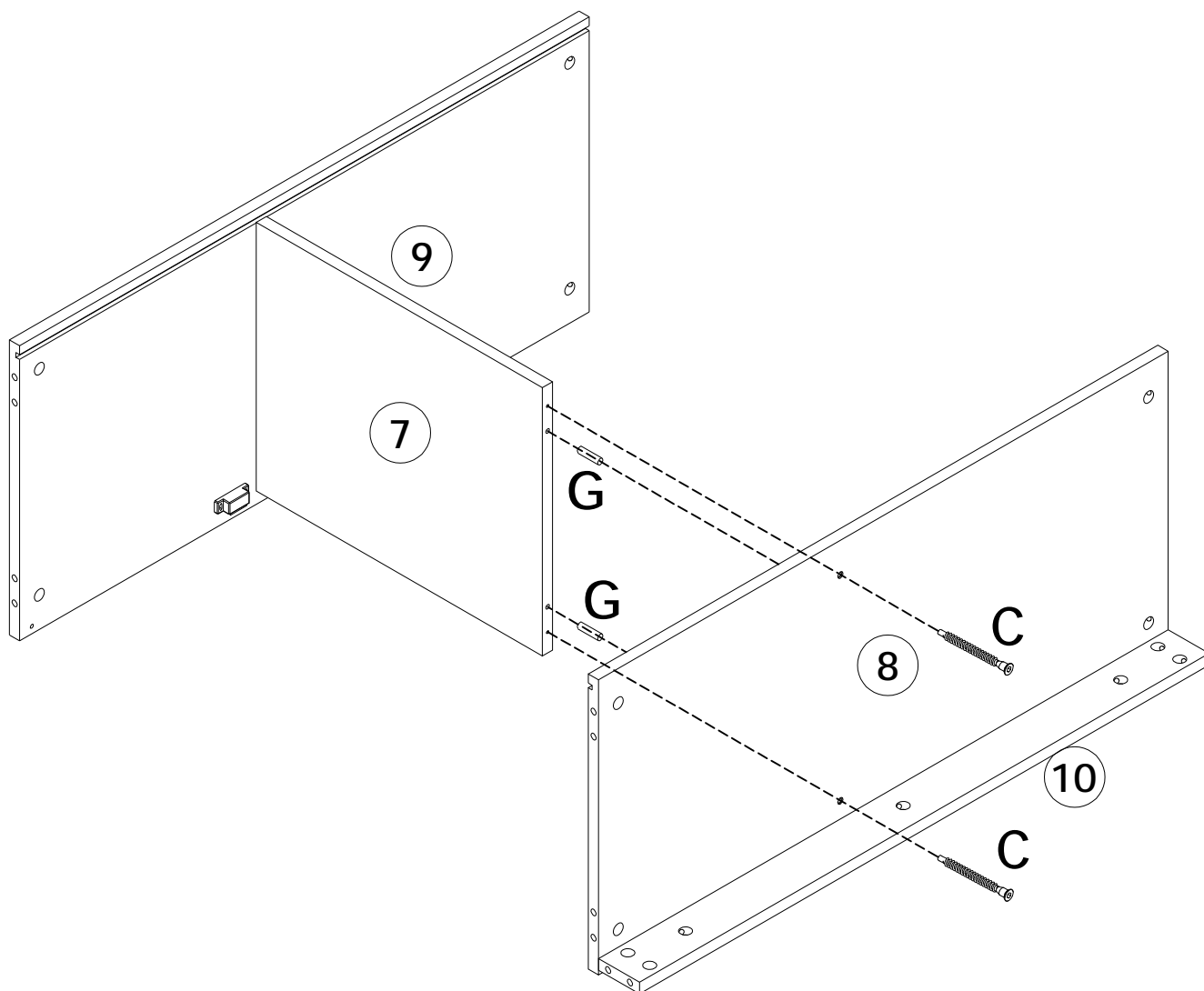


M3

G ×2



φ8×30



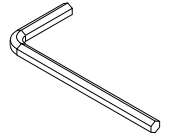
# STEP6

C ×4

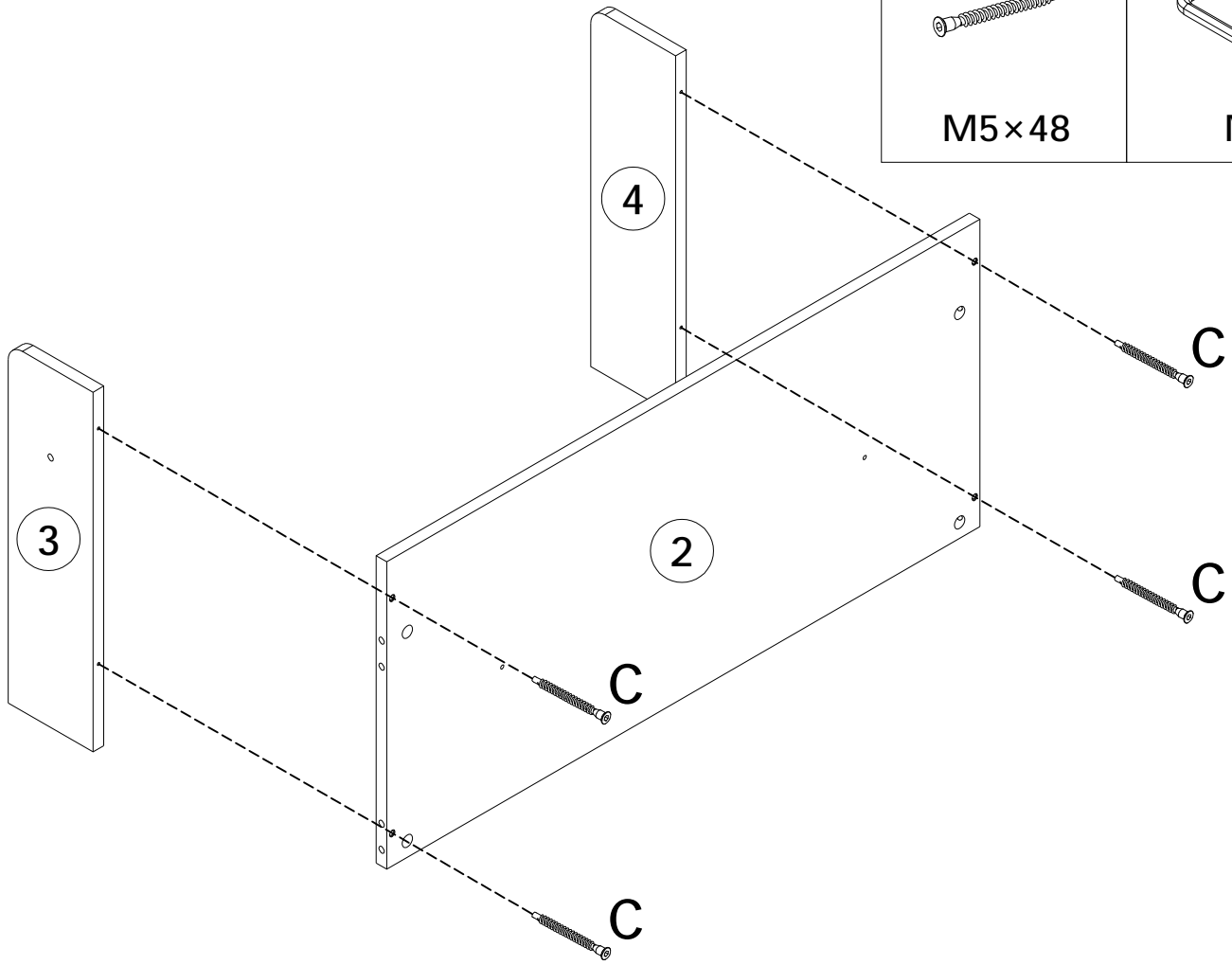
E ×1



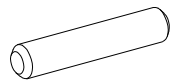
M5×48



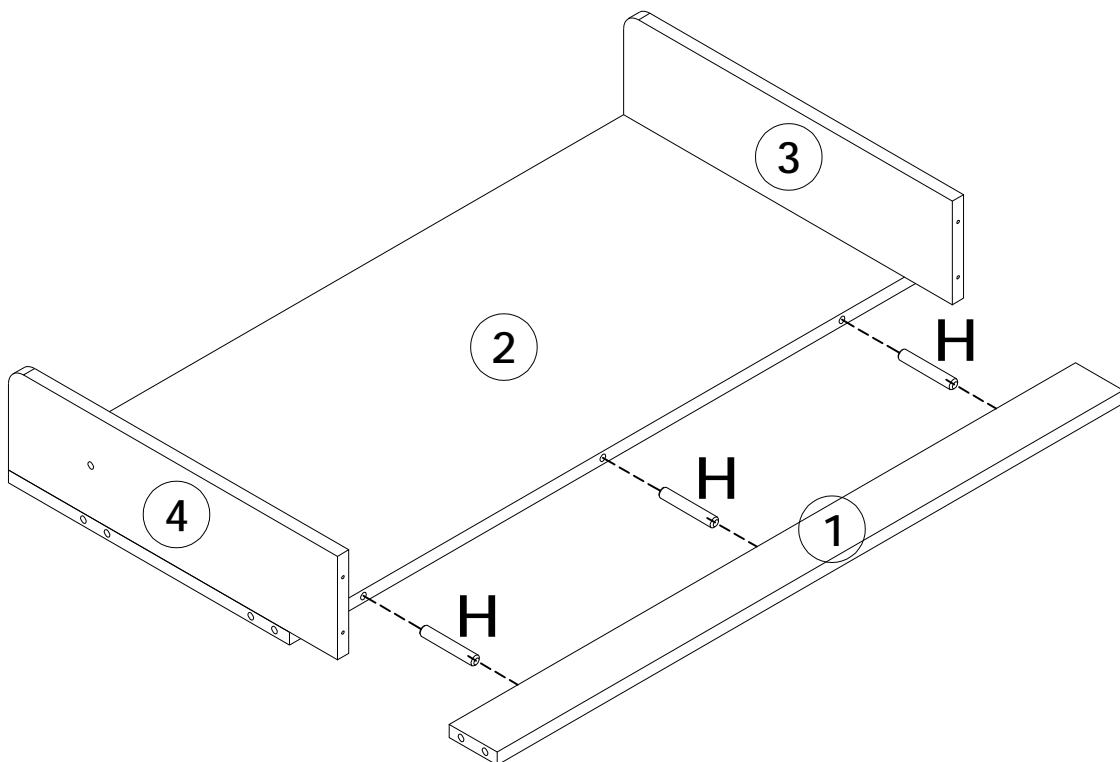
M3



H ×3



∅8×40



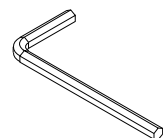
# STEP 7

C ×4

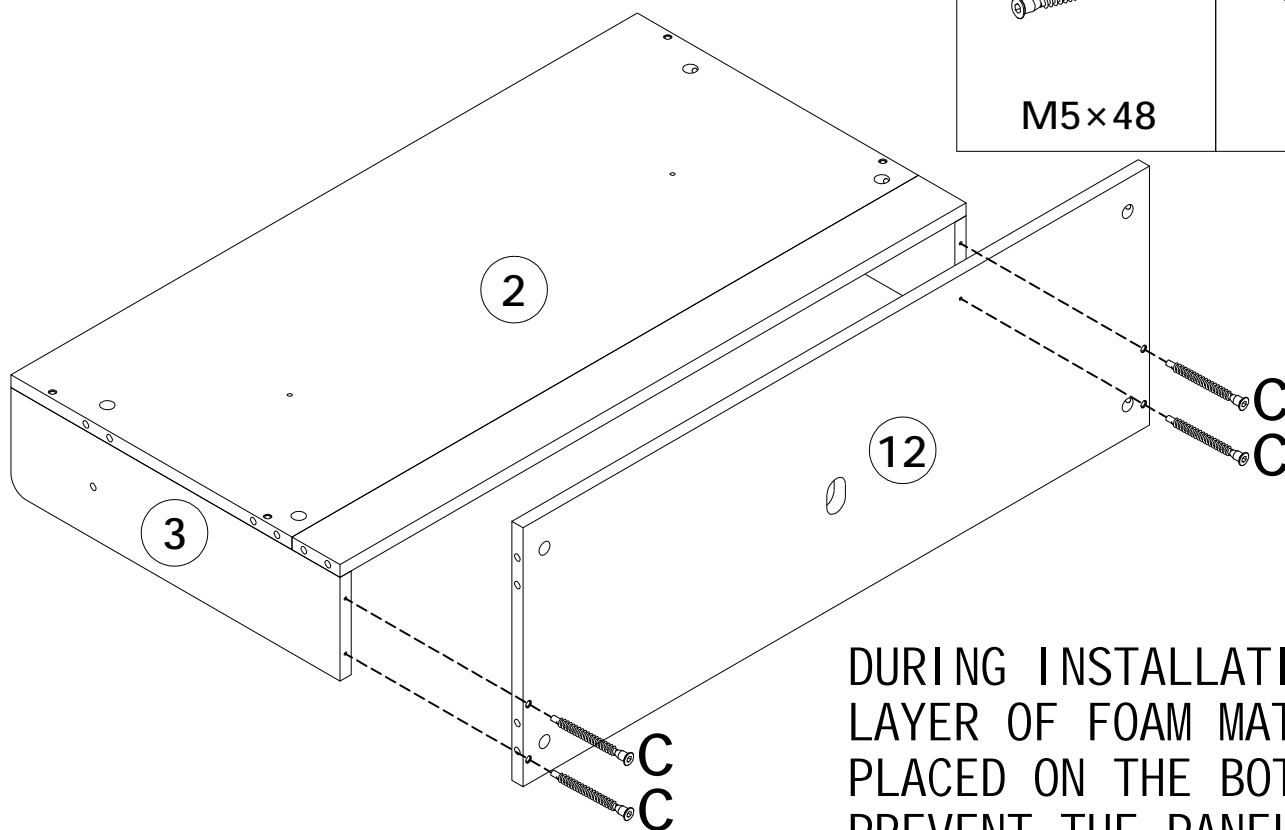
E ×1



M5×48

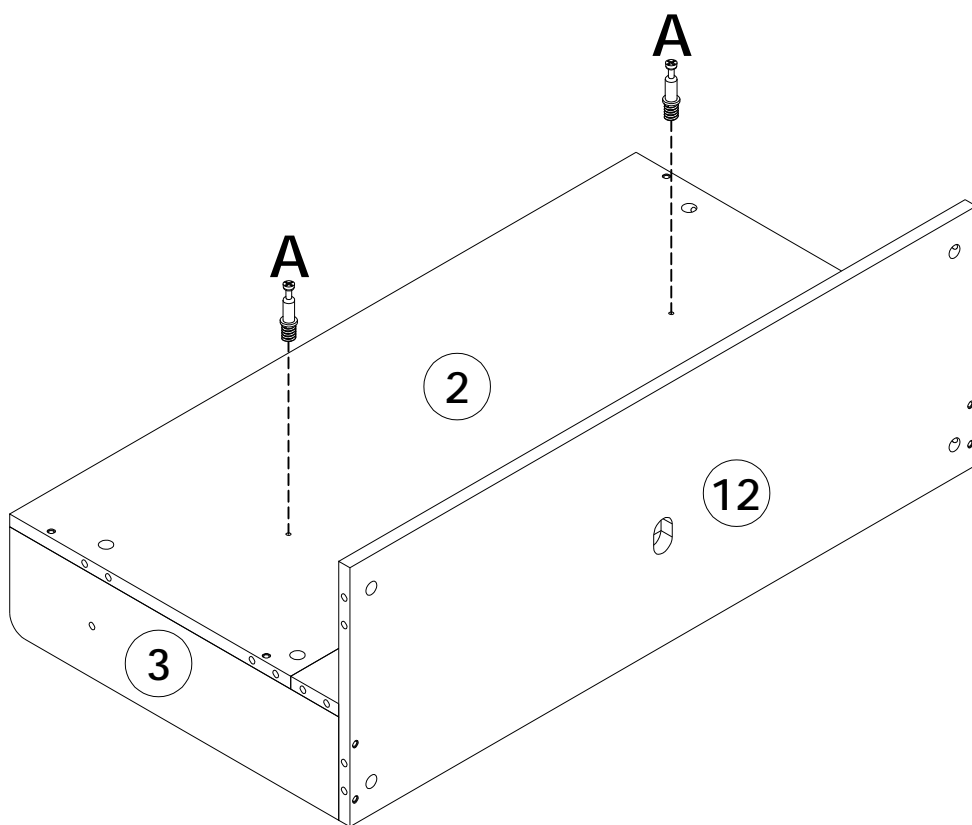
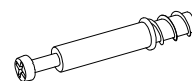


M3



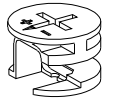
DURING INSTALLATION, A LAYER OF FOAM MAT IS PLACED ON THE BOTTOM TO PREVENT THE PANEL FROM BEING SCRATCHED.

A ×2

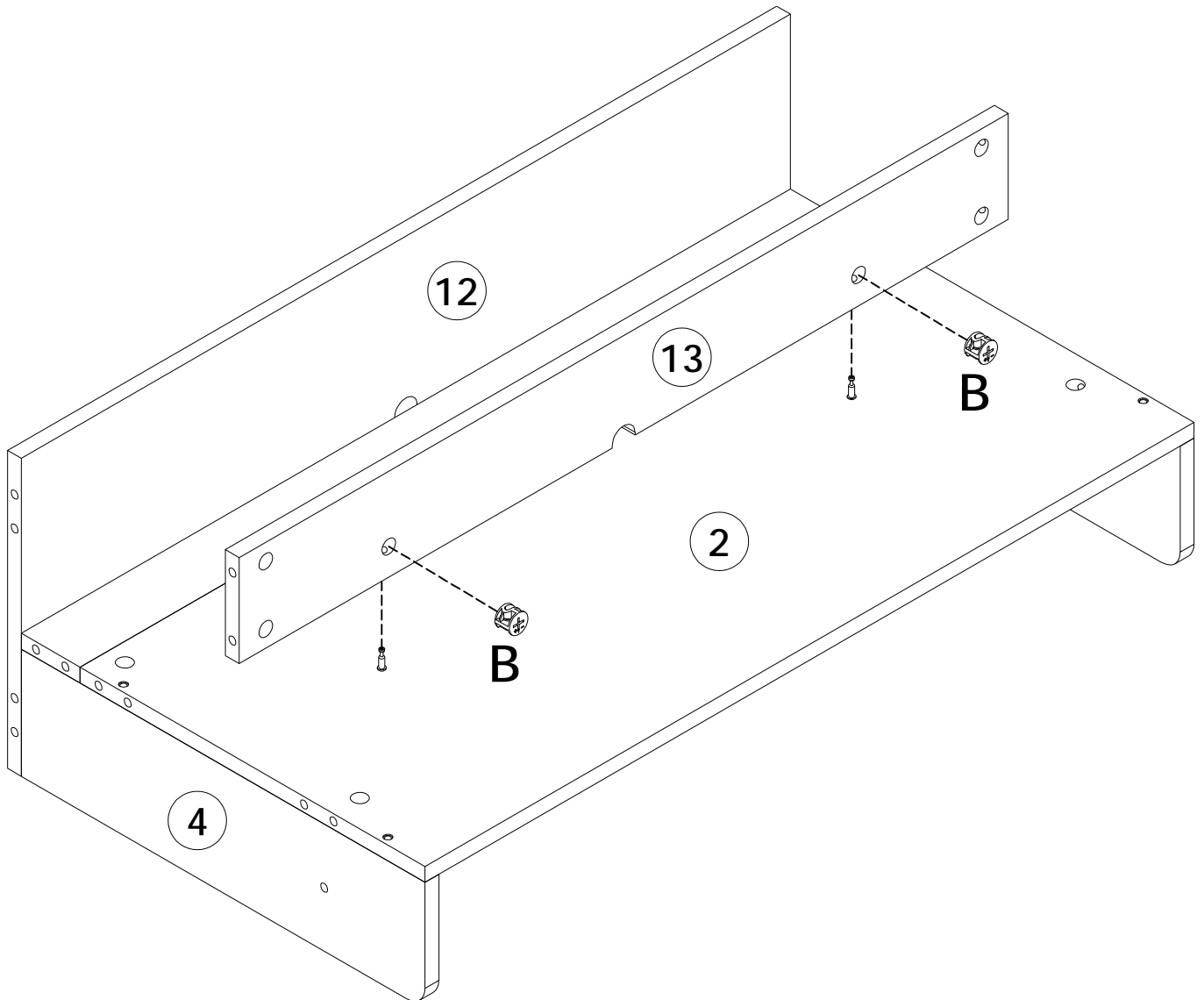


# STEP8

**B** ×2

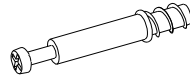


Ø15×9.5

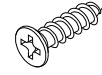


# STEP 9

A x12

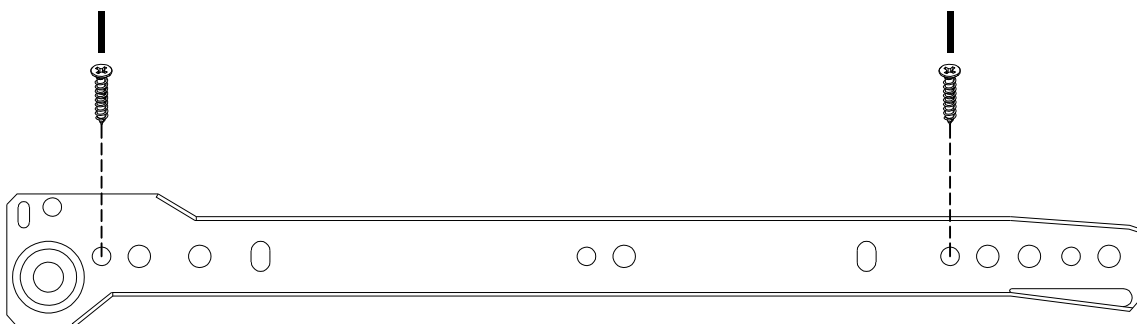
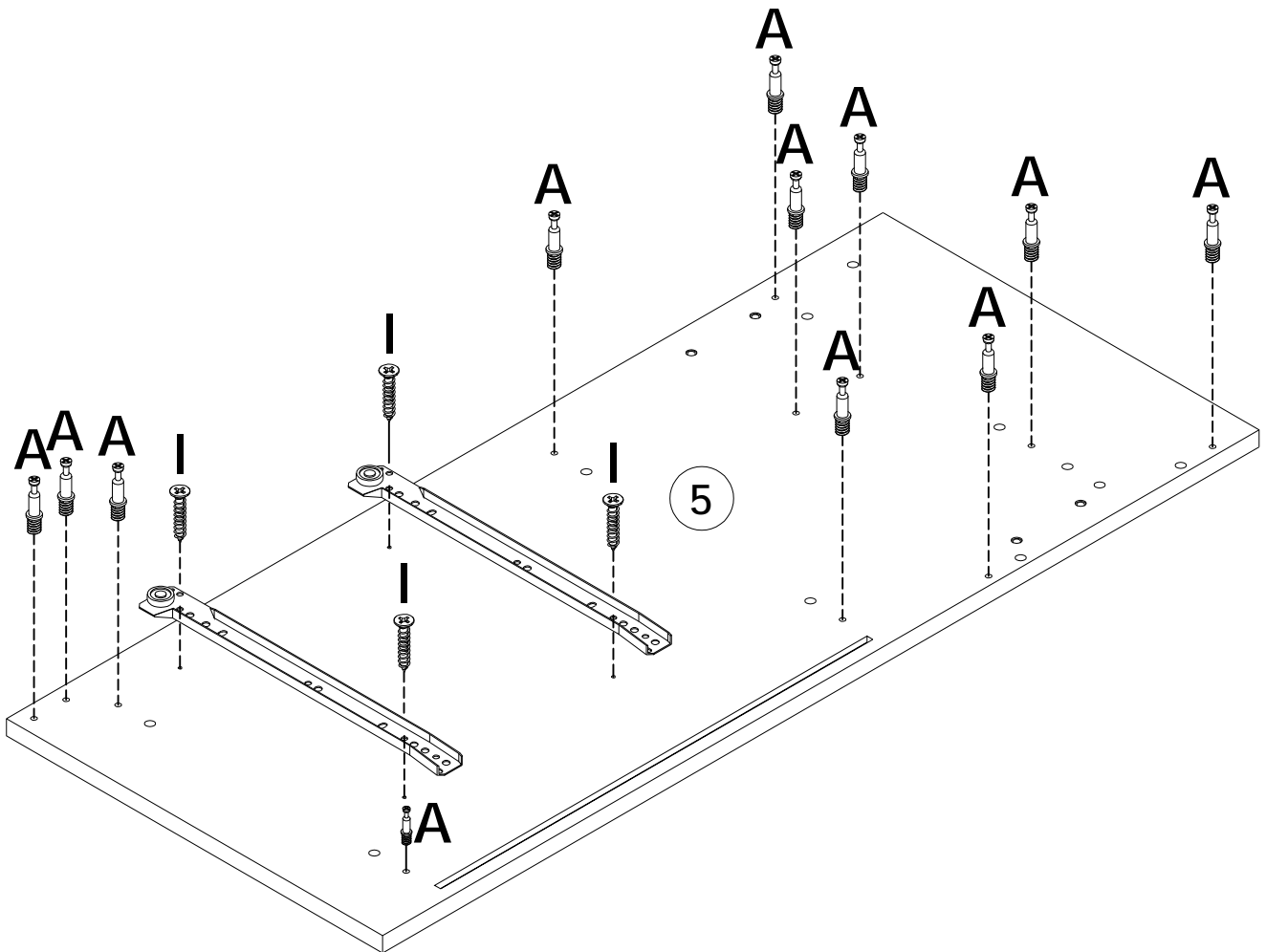
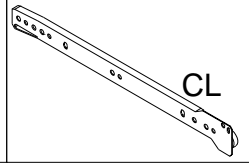


I x4


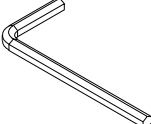
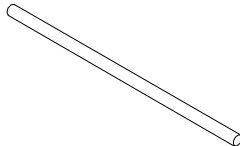


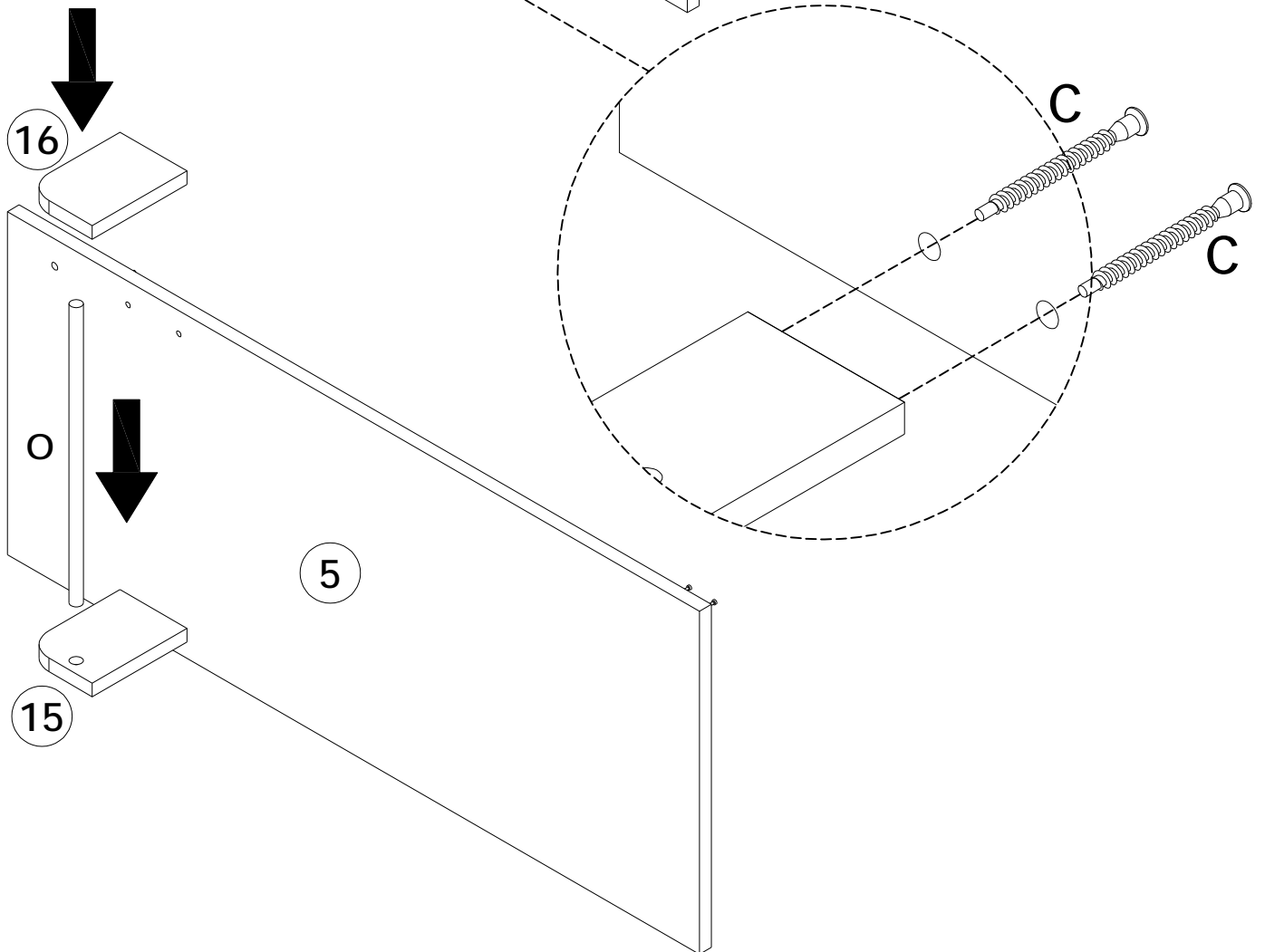
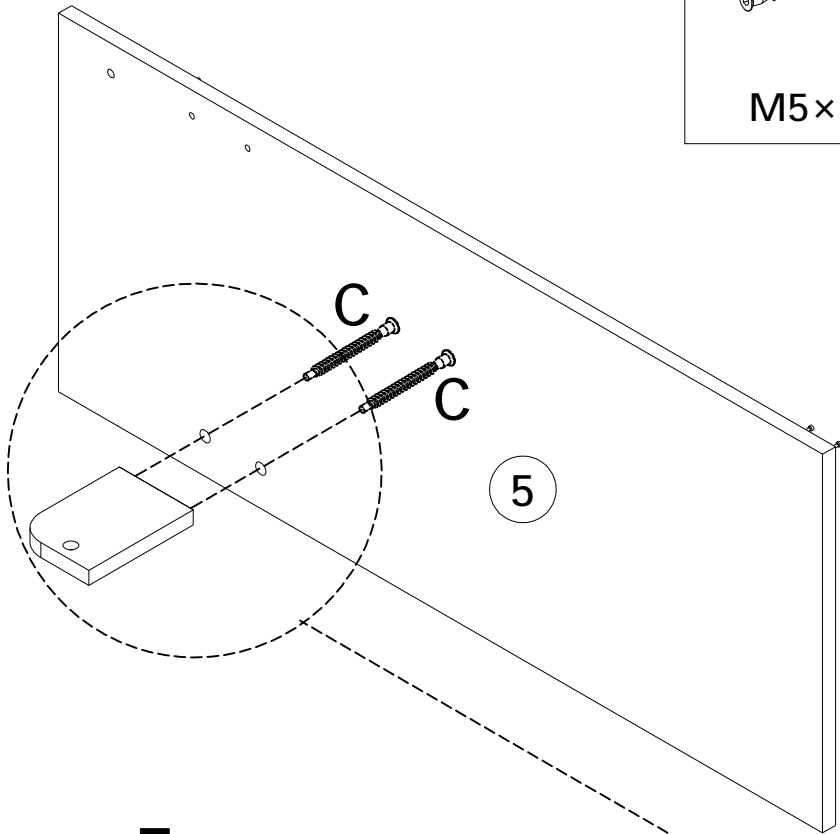
3.5x12

N x2



# STEP10

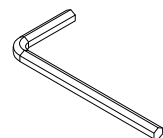
C	x2	E	x1	O	x1
					
M5x48		M3		φ13x328	



# STEP11

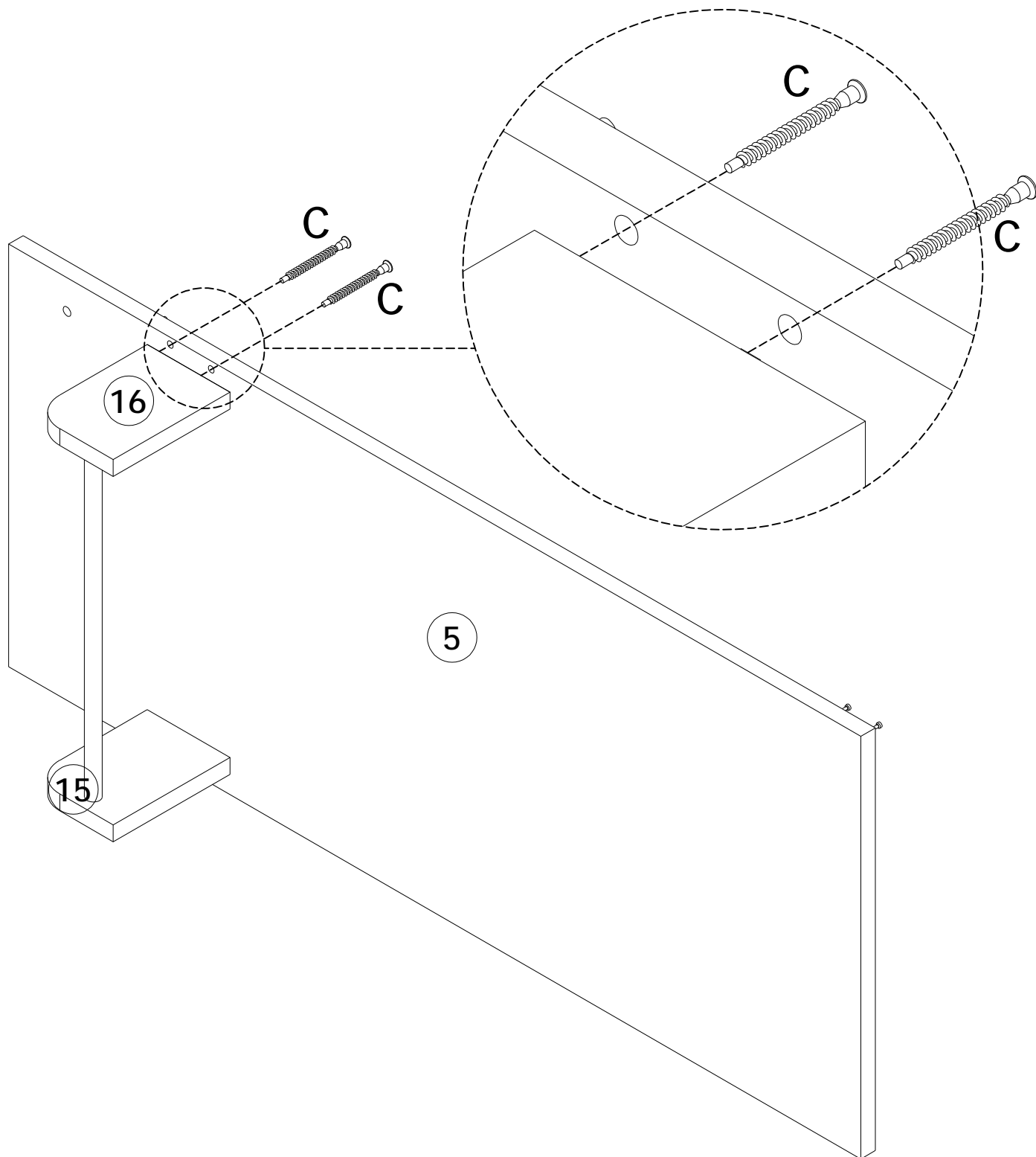
C ×2

E ×1

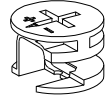
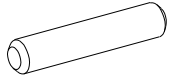


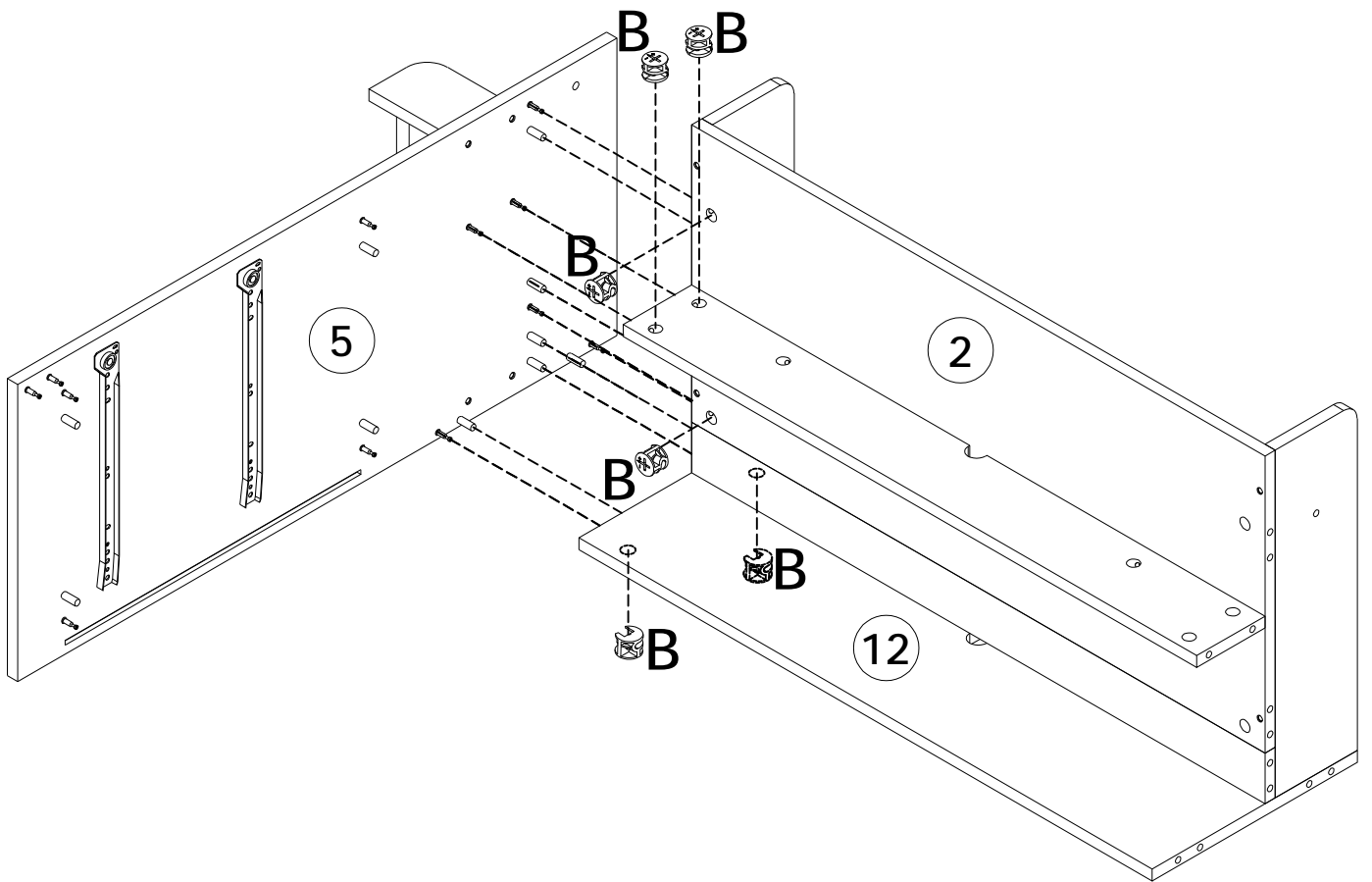
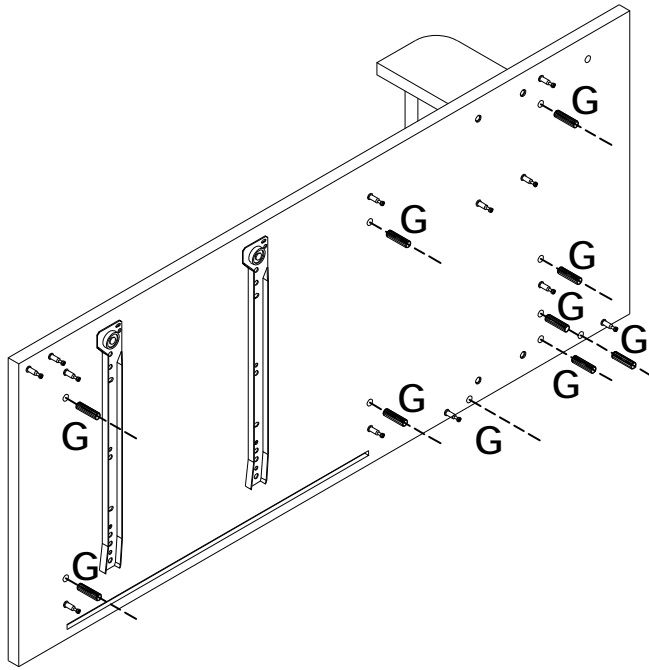
M5×48

M3



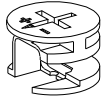
# STEP12

<b>B</b> ×6	<b>G</b> ×10
	
Ø15×9.5	Ø8×30

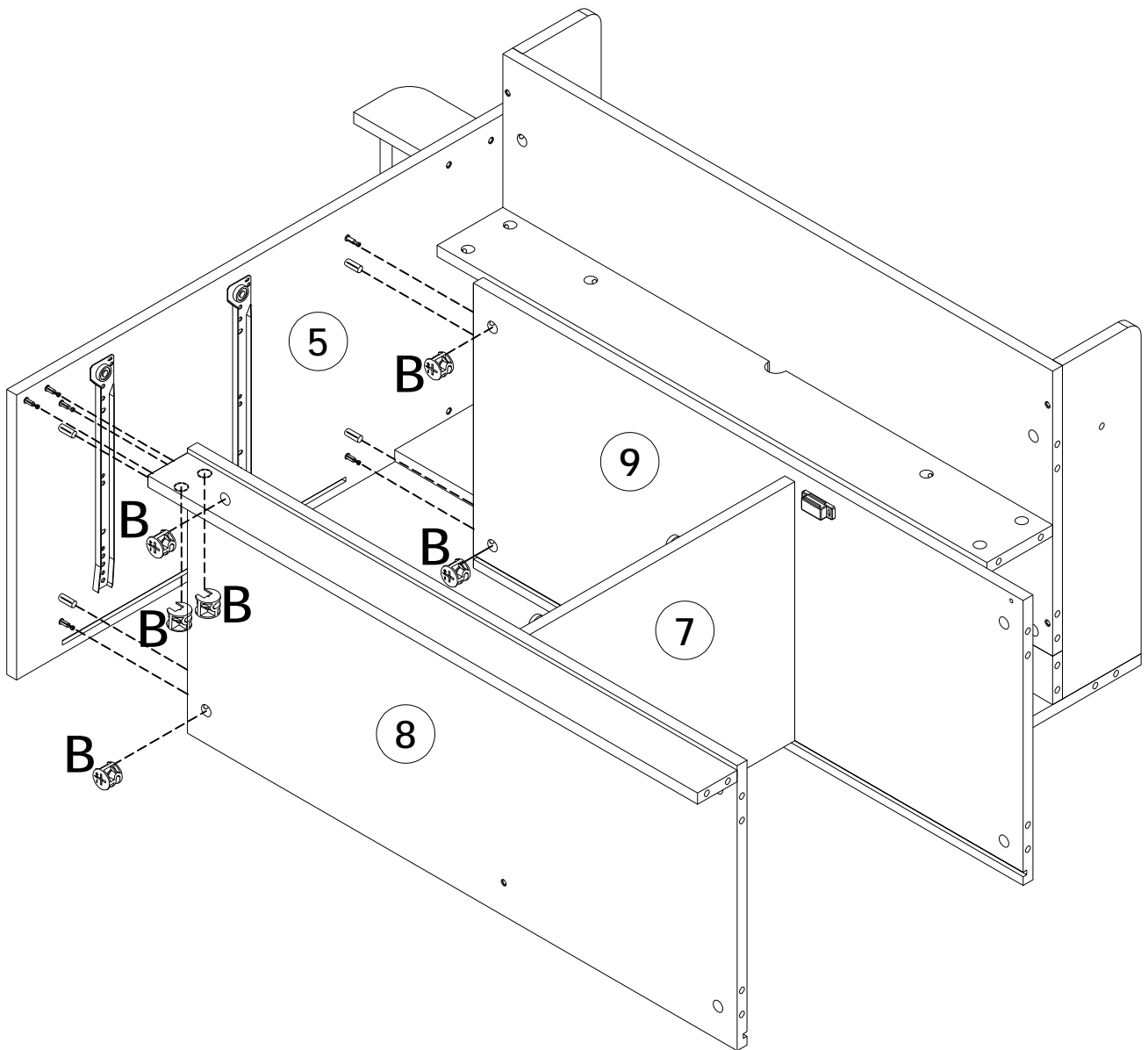


# STEP13

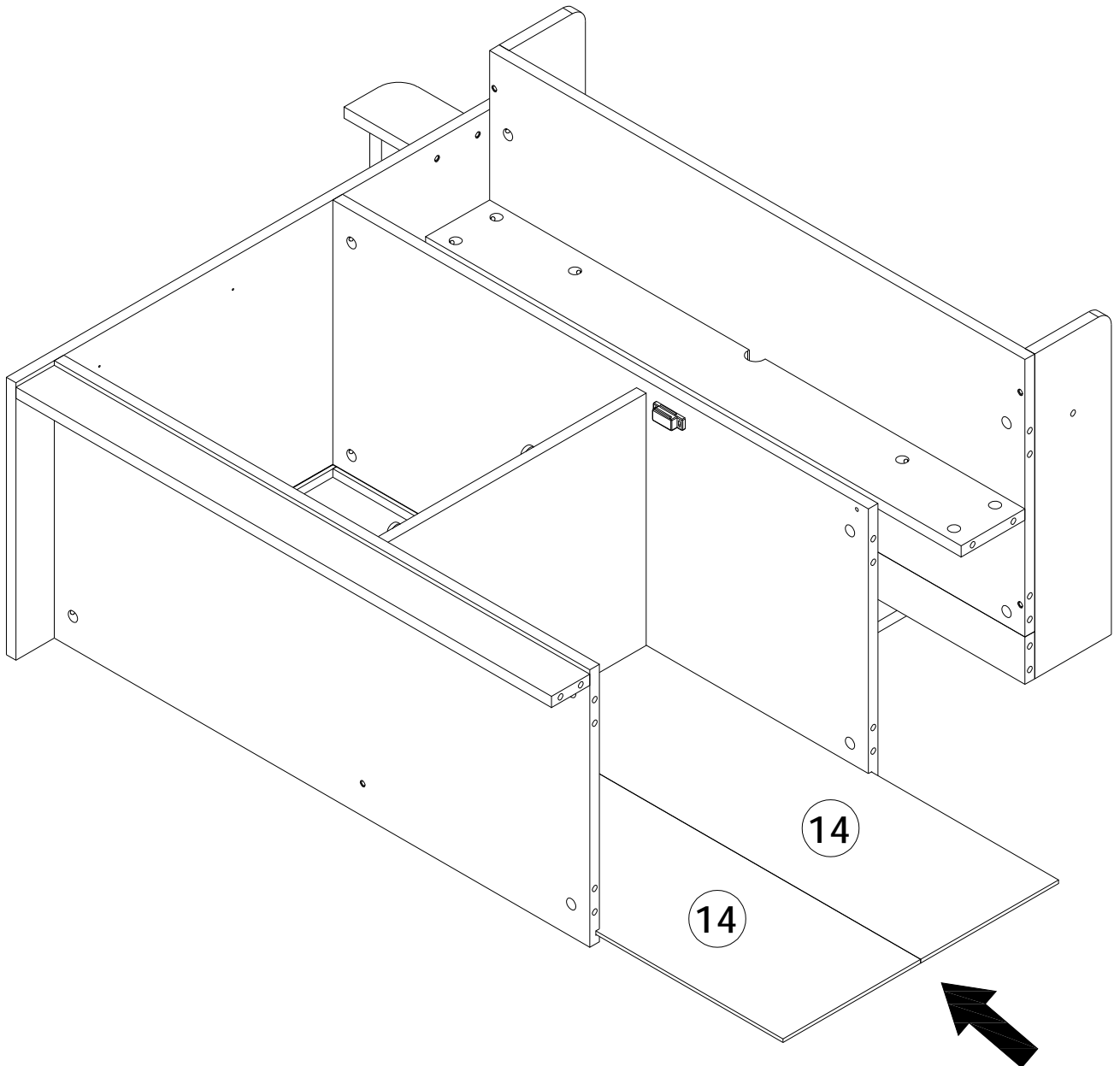
B ×6



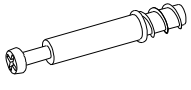
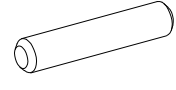
Ø15×9.5

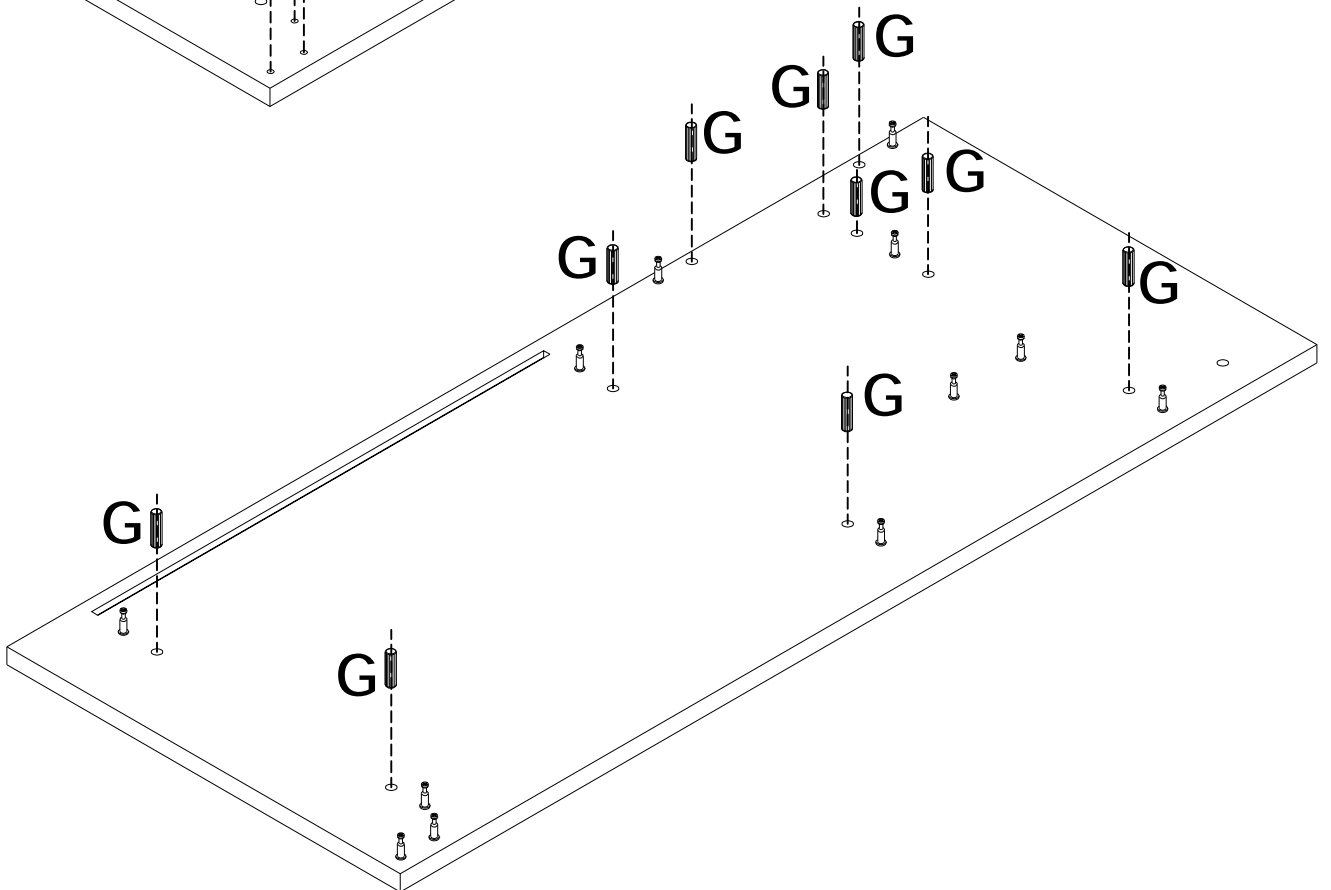
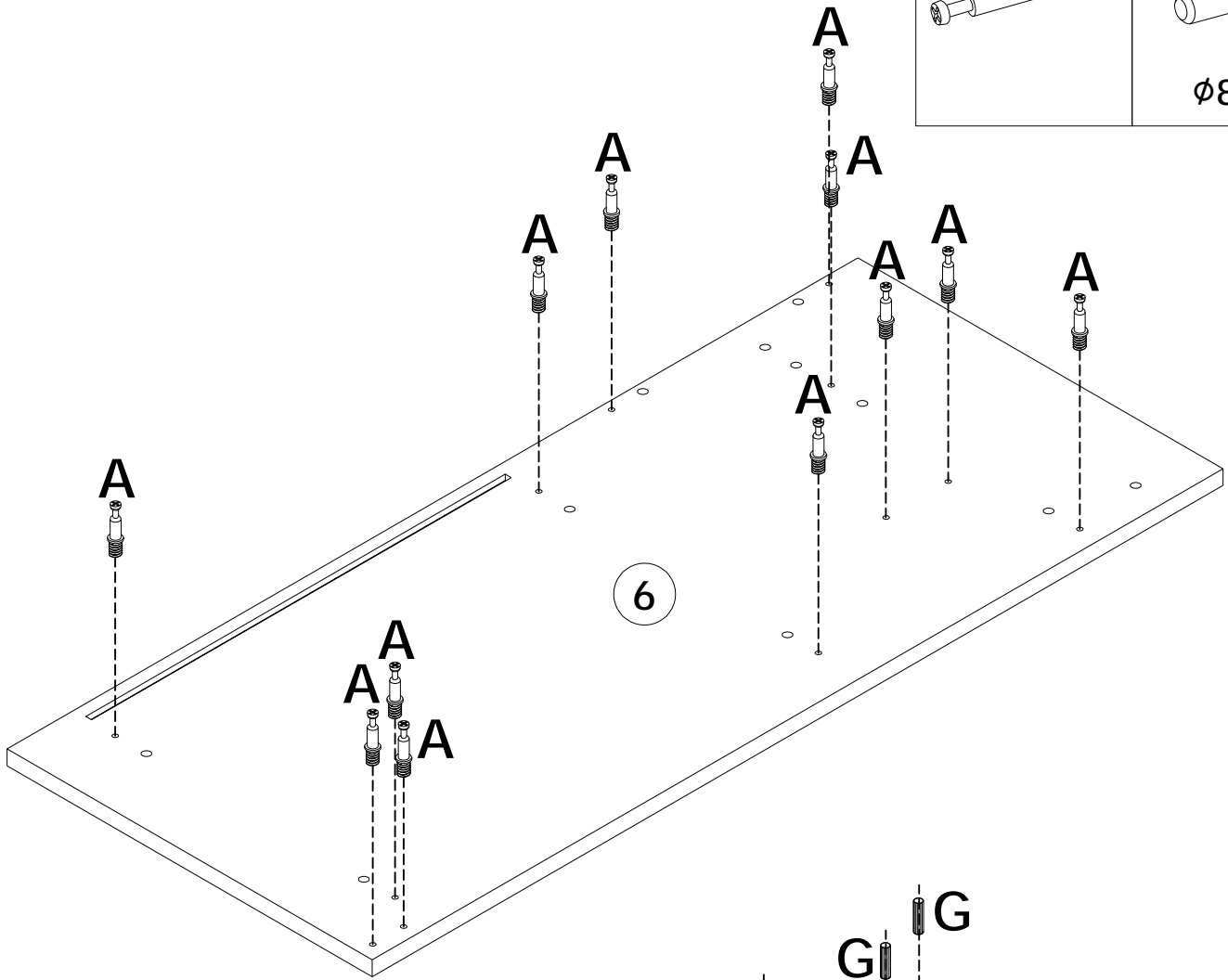


# STEP14



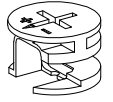
# STEP15

A	×12	G	×10
			
		ø8×30	

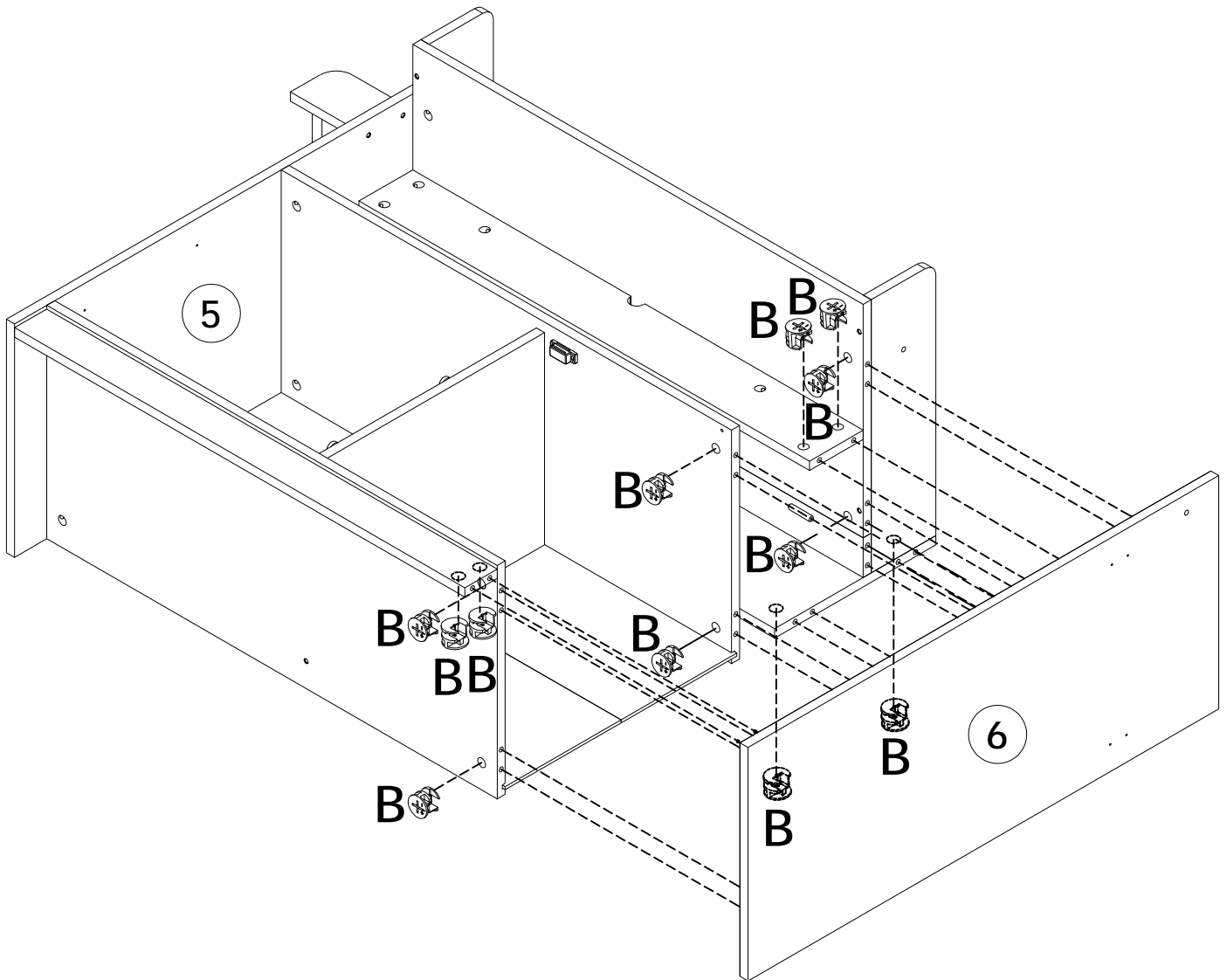


# STEP16

B ×12

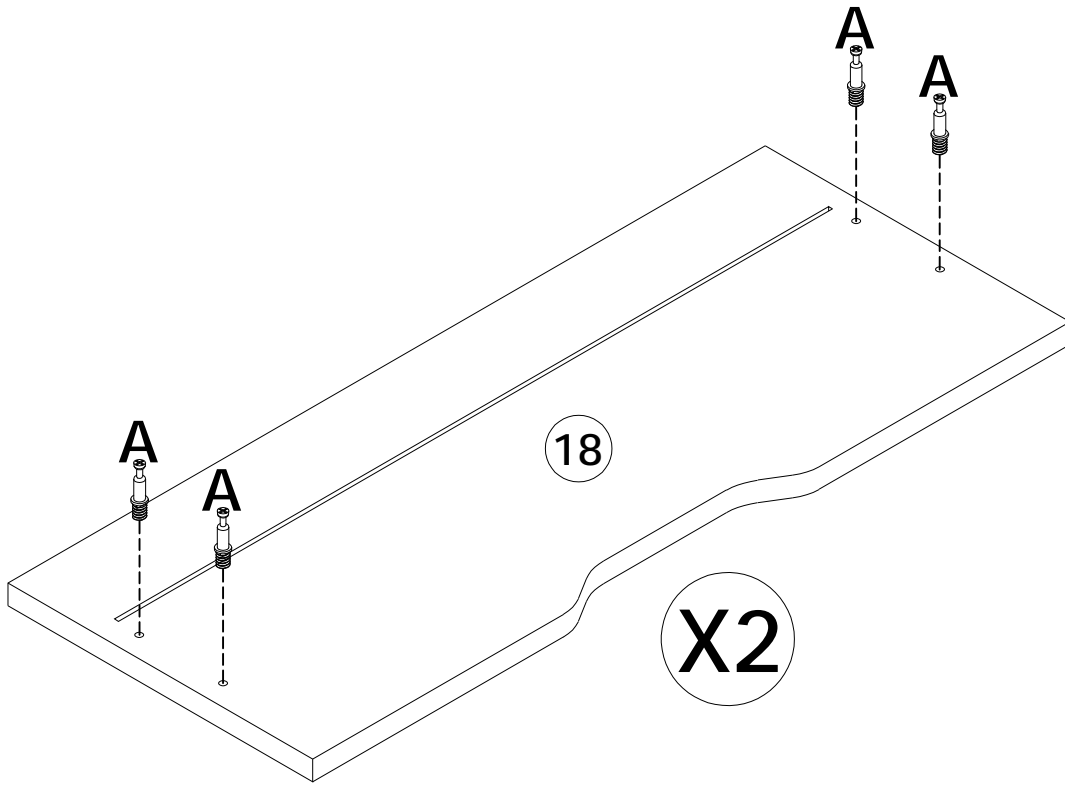
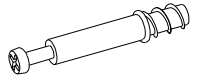


Ø15×9.5



# STEP17

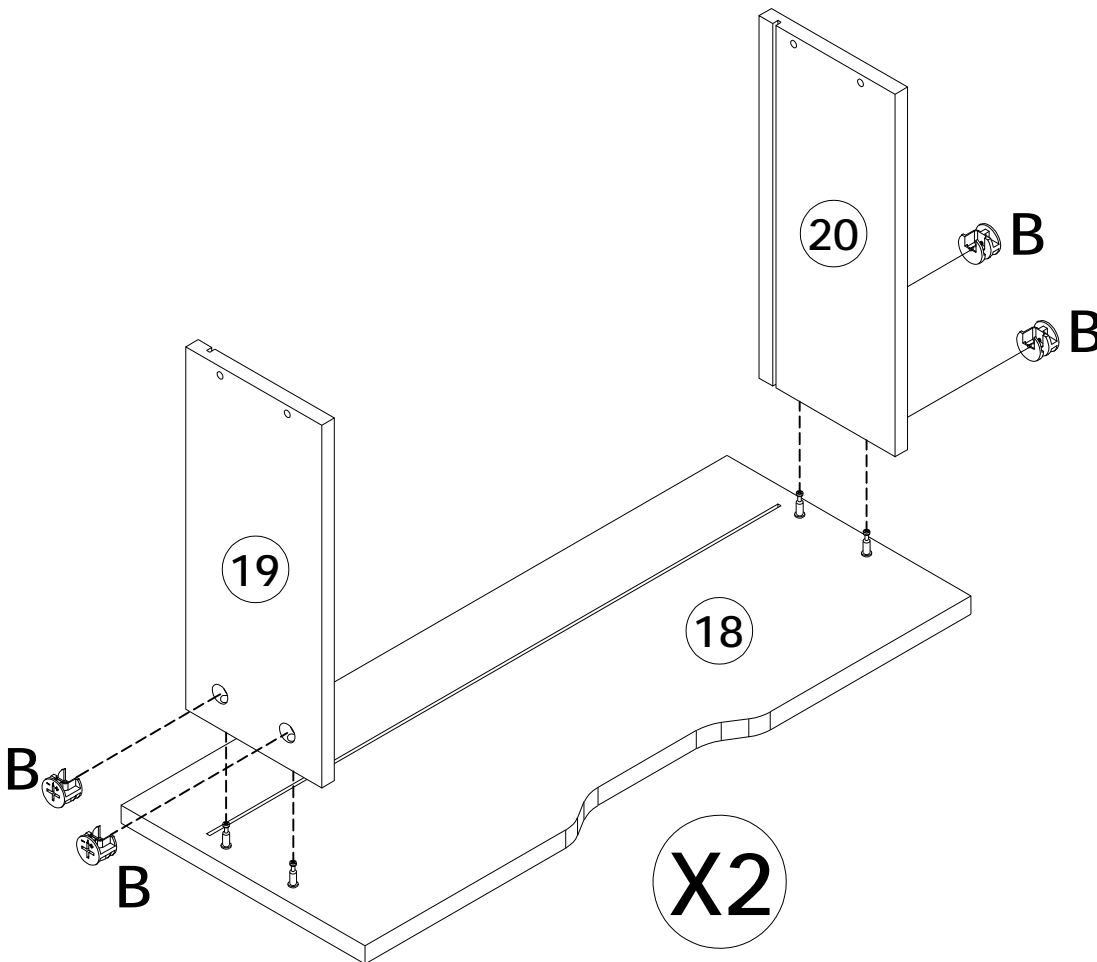
A ×8



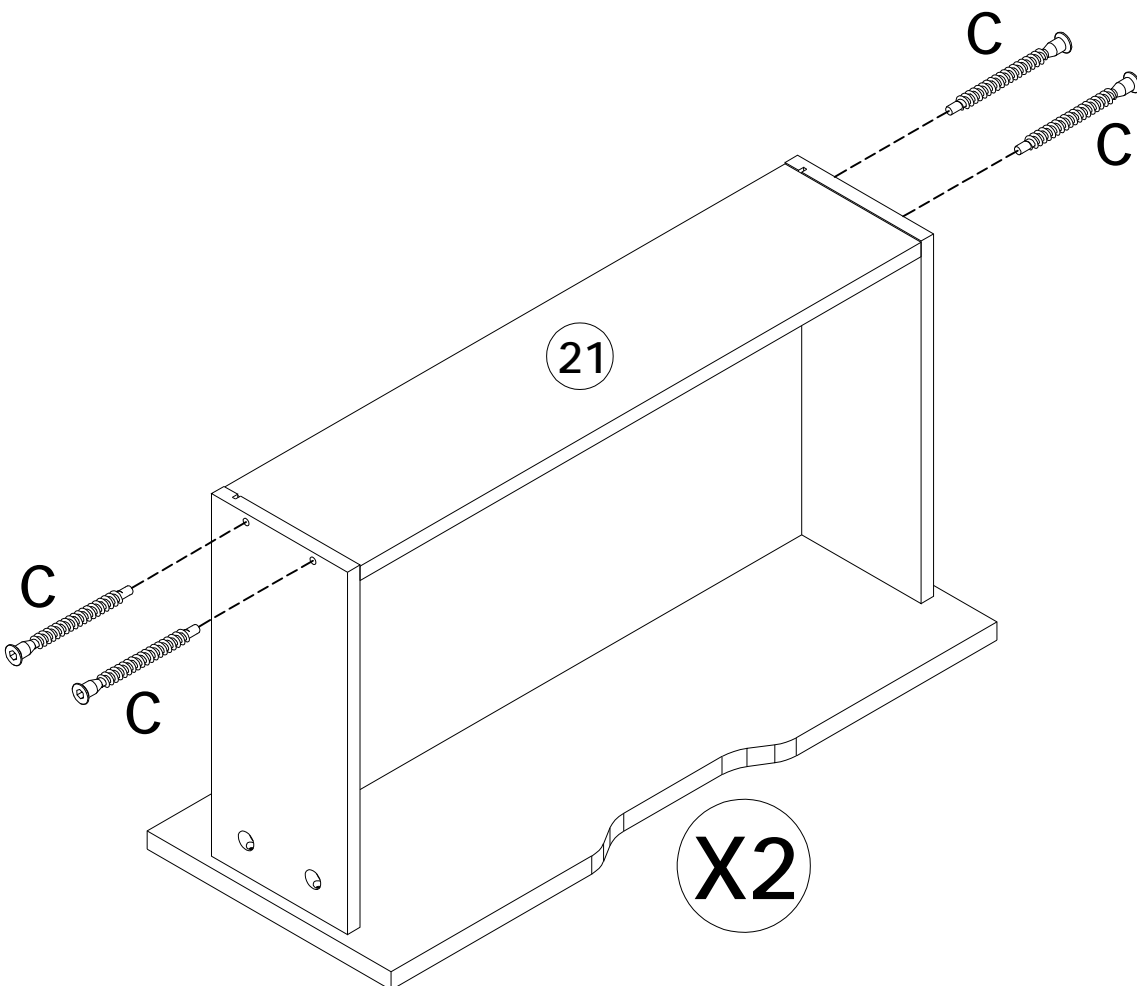
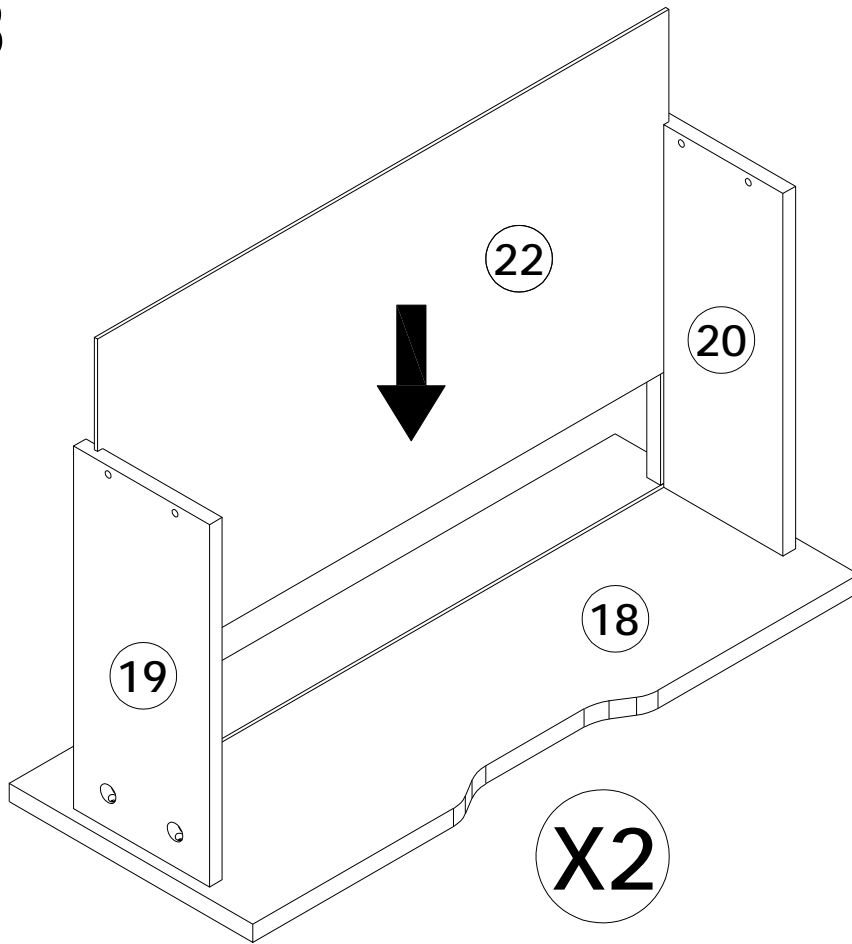
B ×8



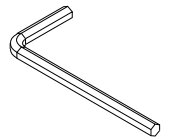
Ø15×9.5



# STEP18



E x1



M3

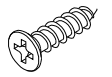
C x8



M5x48

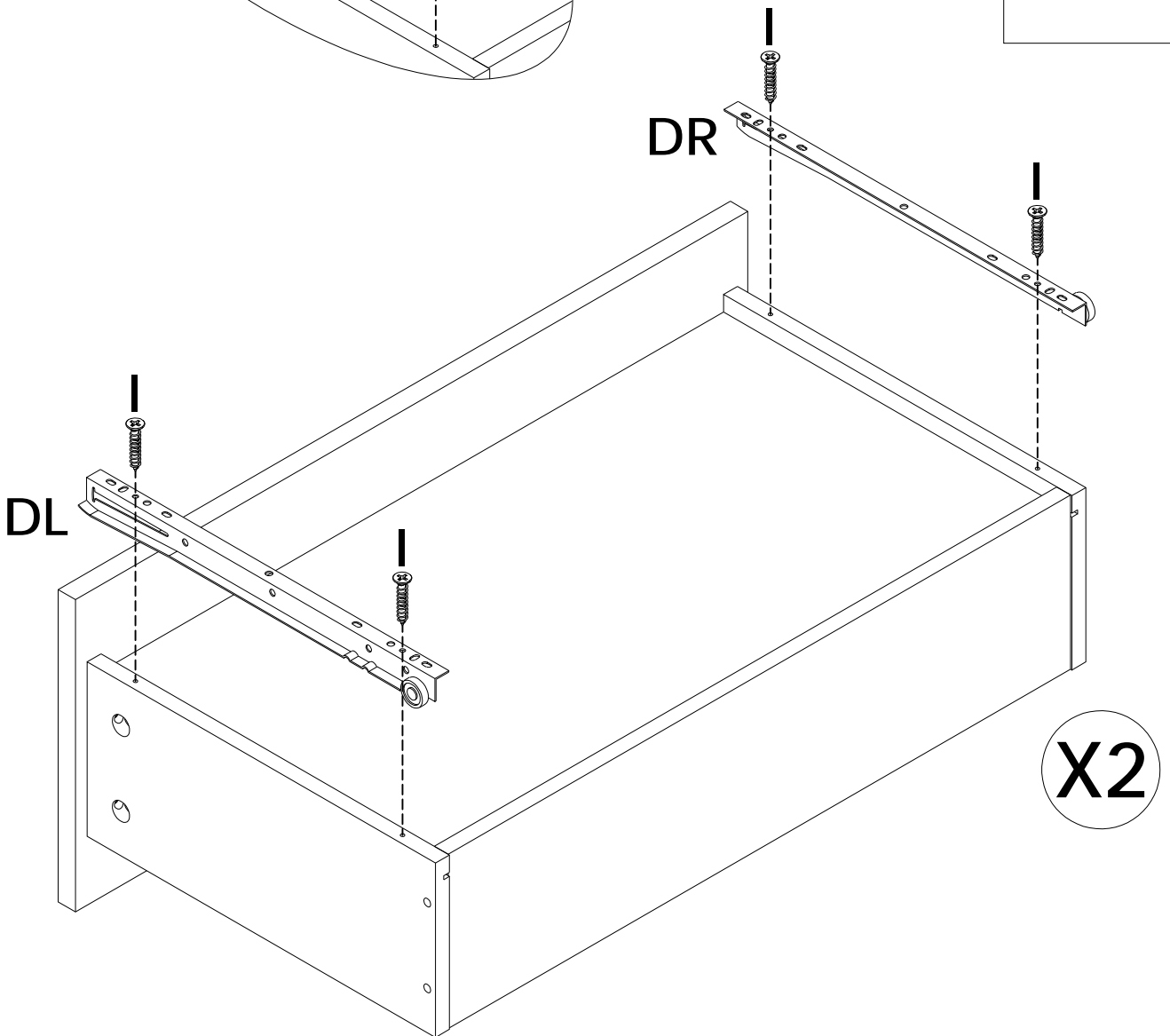
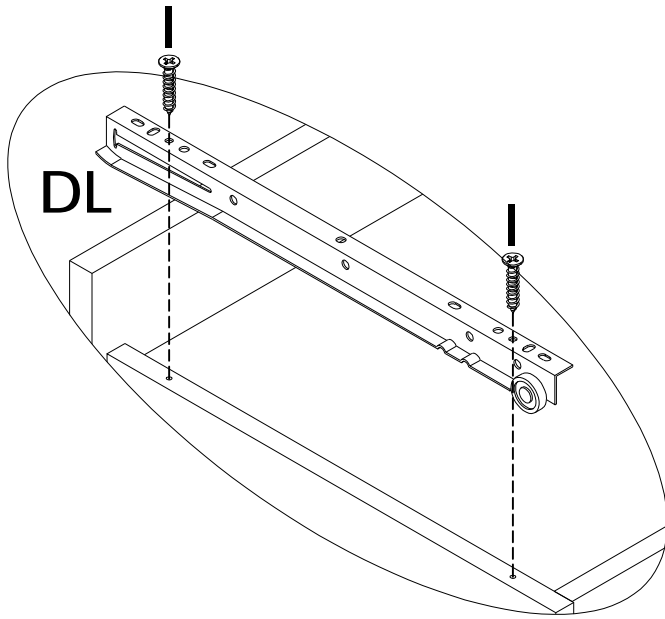
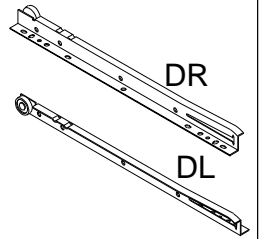
# STEP19

I ×8

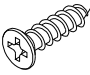
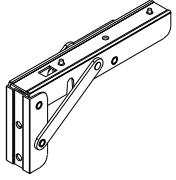


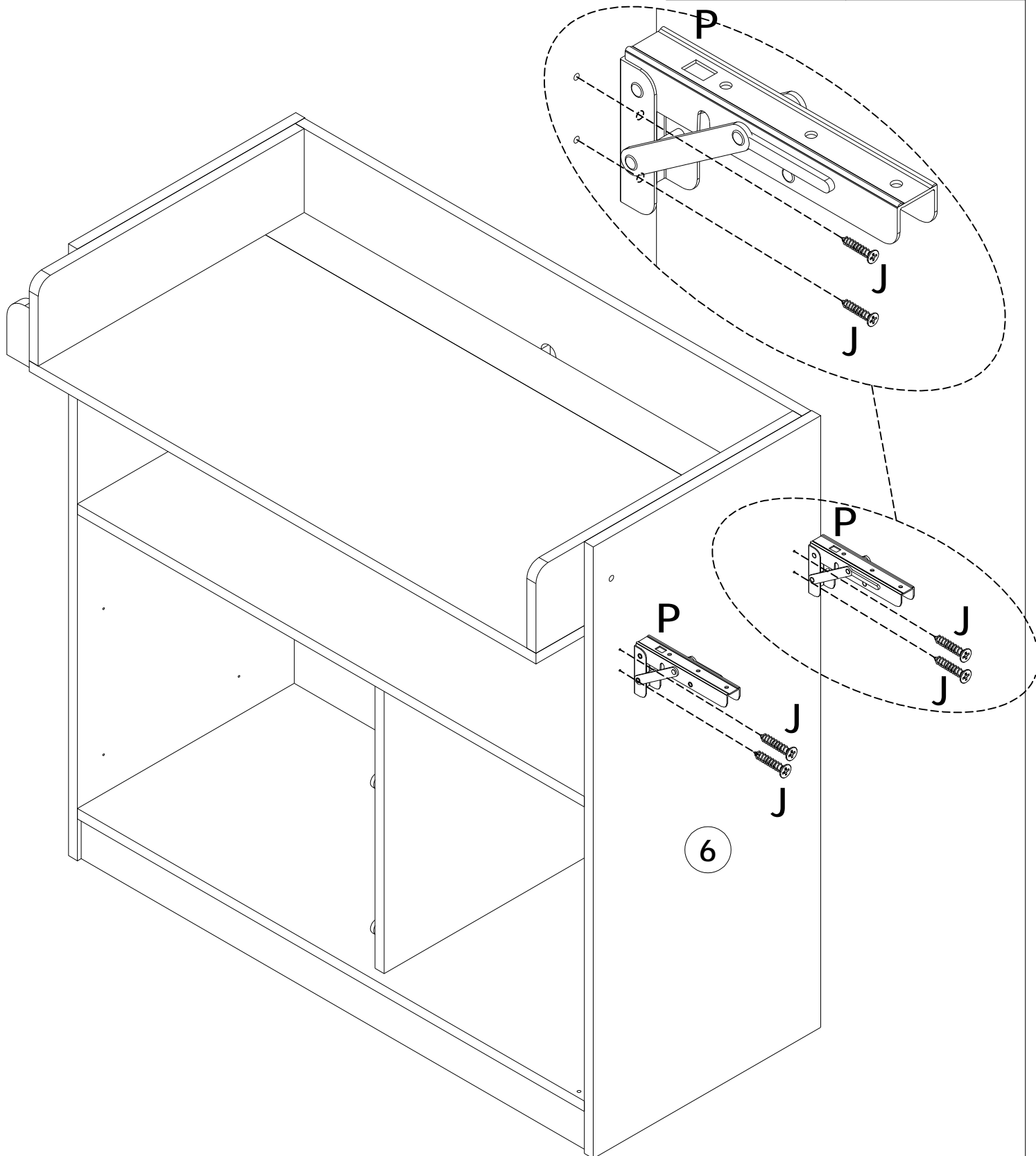
3.5×12

N ×2



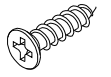
# STEP20

J	x4	P	x2
			
4x14		150x38x37	

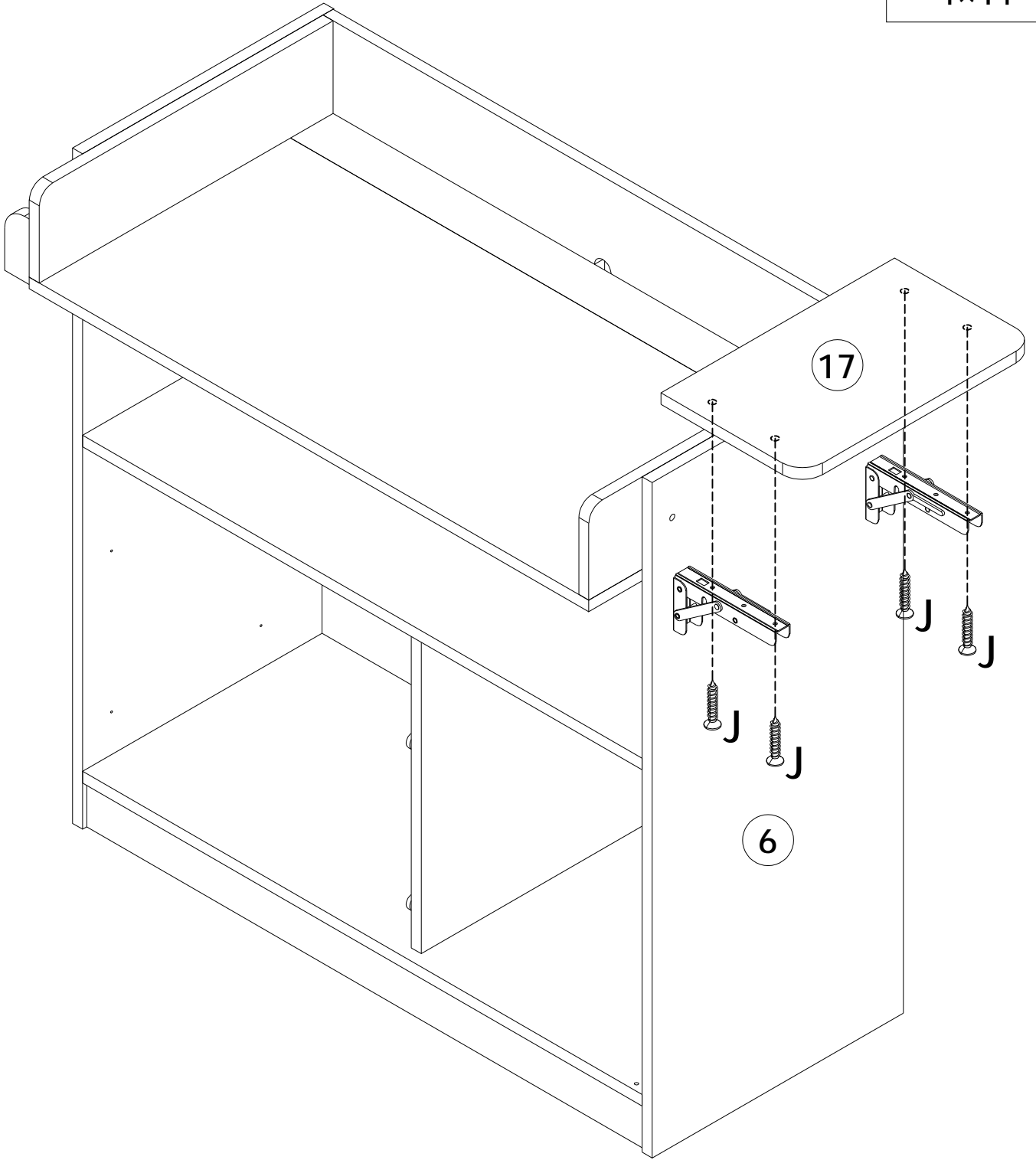


# STEP21

J ×4

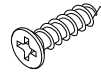


4×14



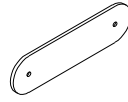
# STEP22

I x2

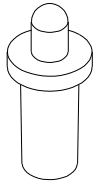


3.5×12

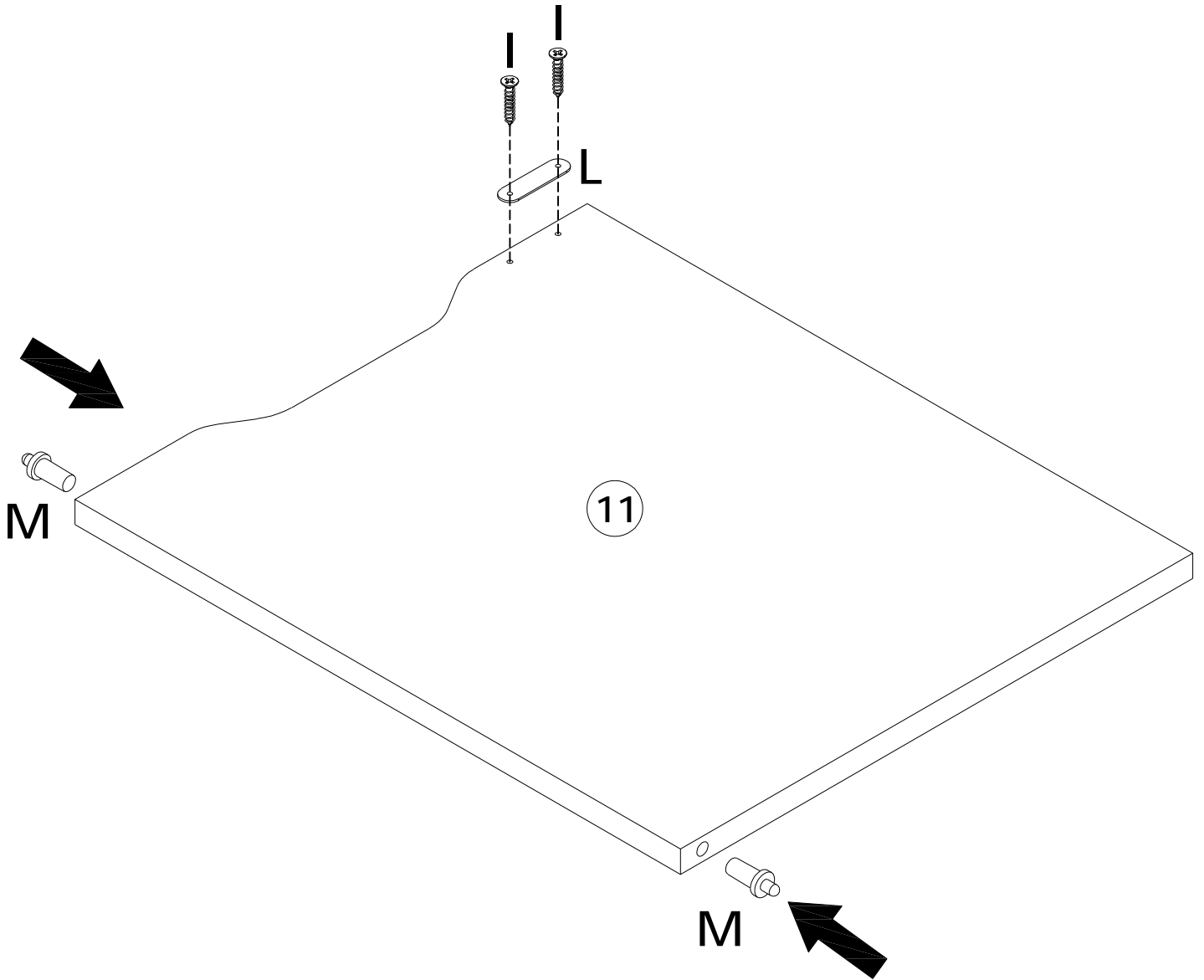
L x1



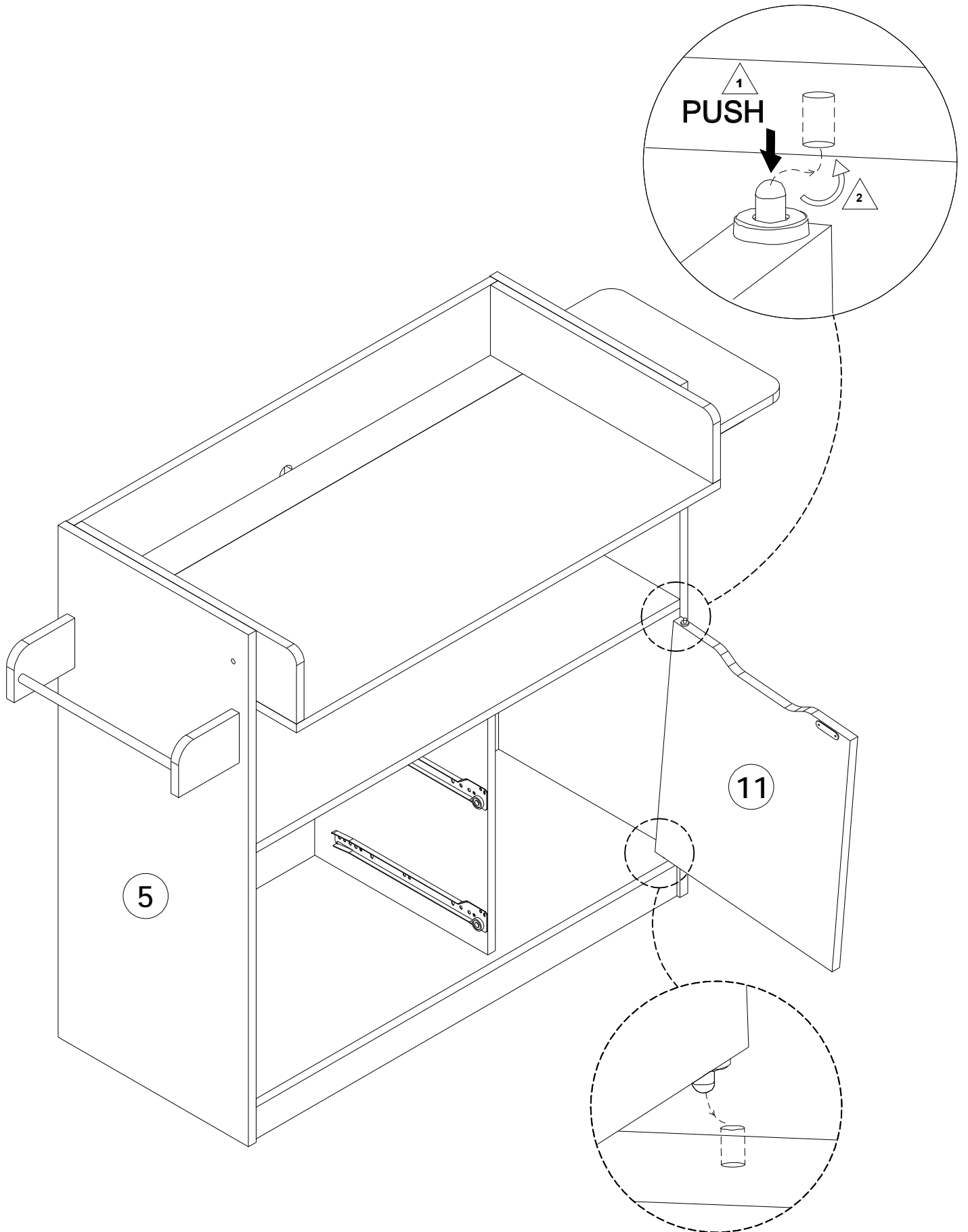
M x2



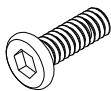
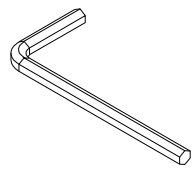
$\phi 8 + \phi 5$

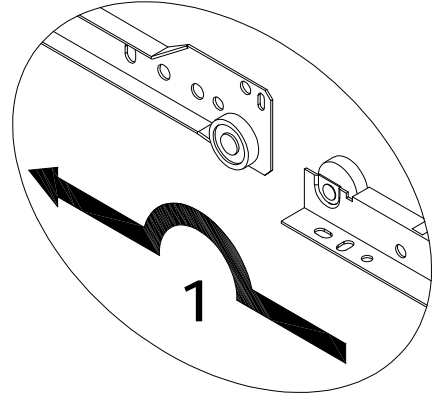
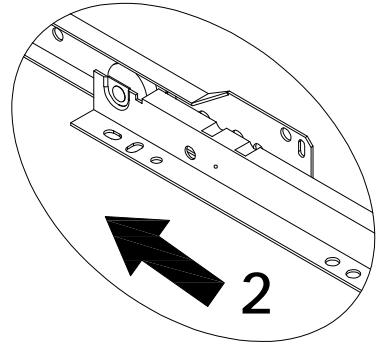
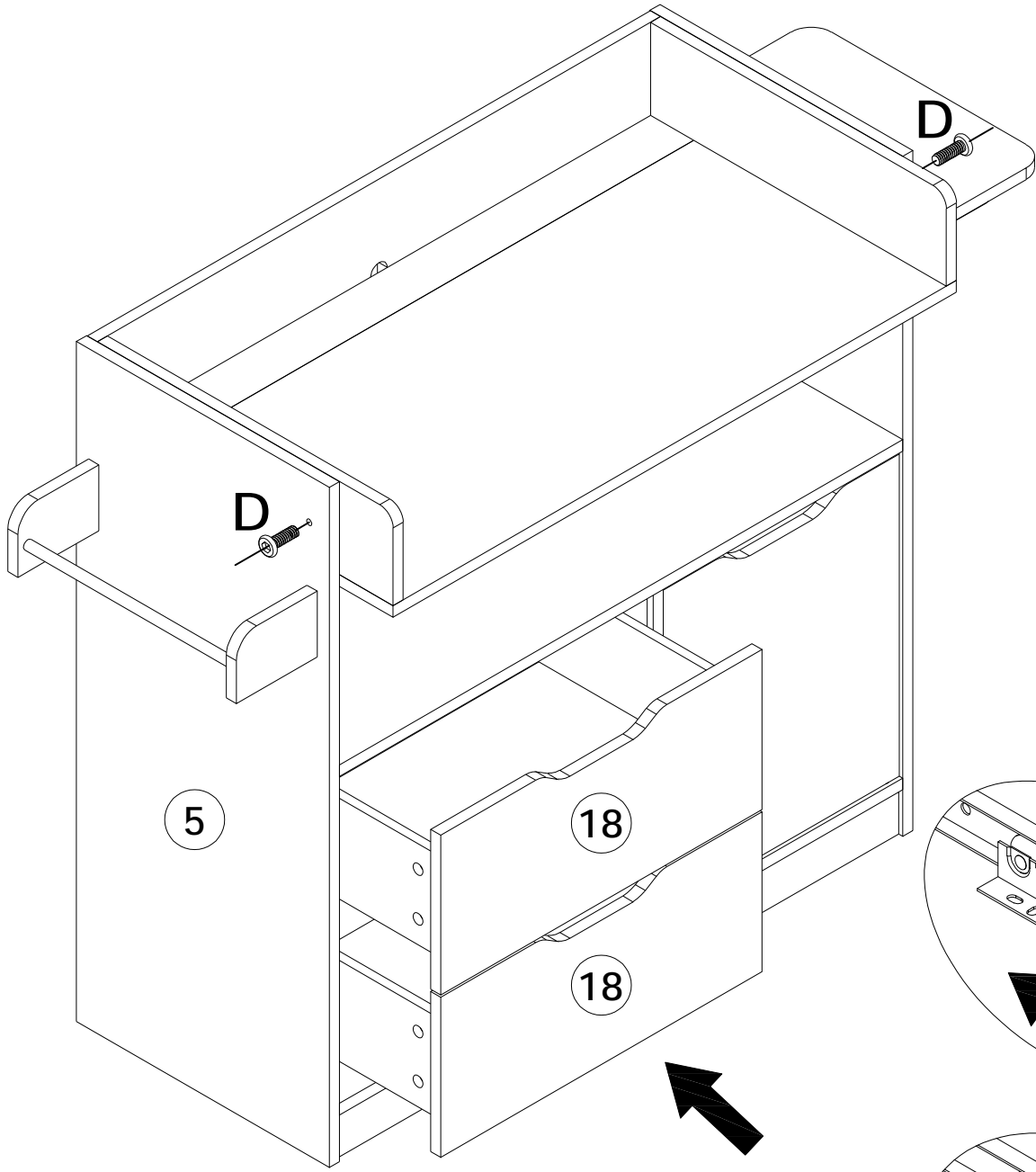


# STEP23

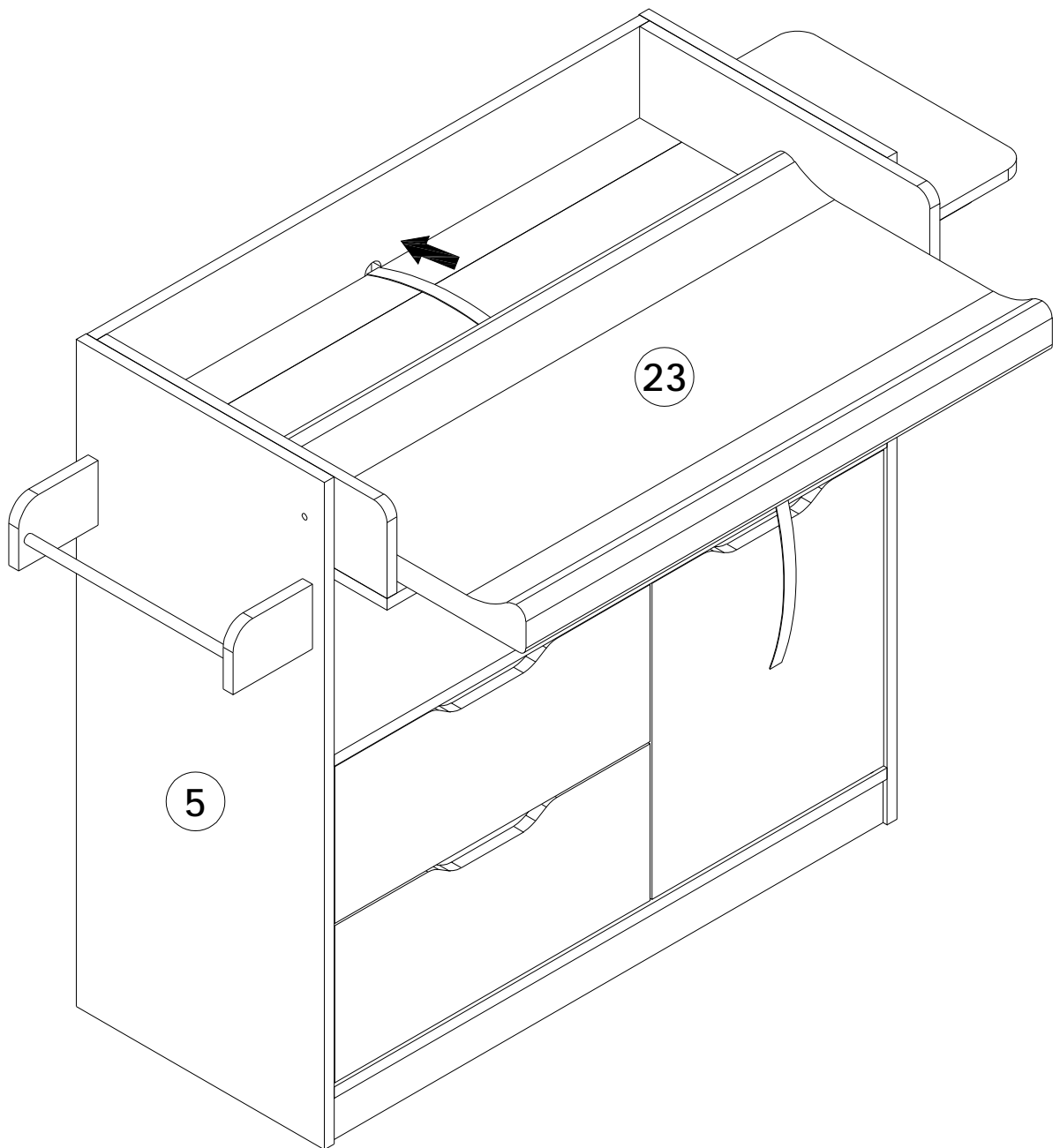


# STEP24

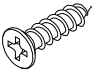
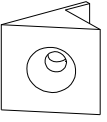
D	x2	F	x1
			
M6x25		M4	

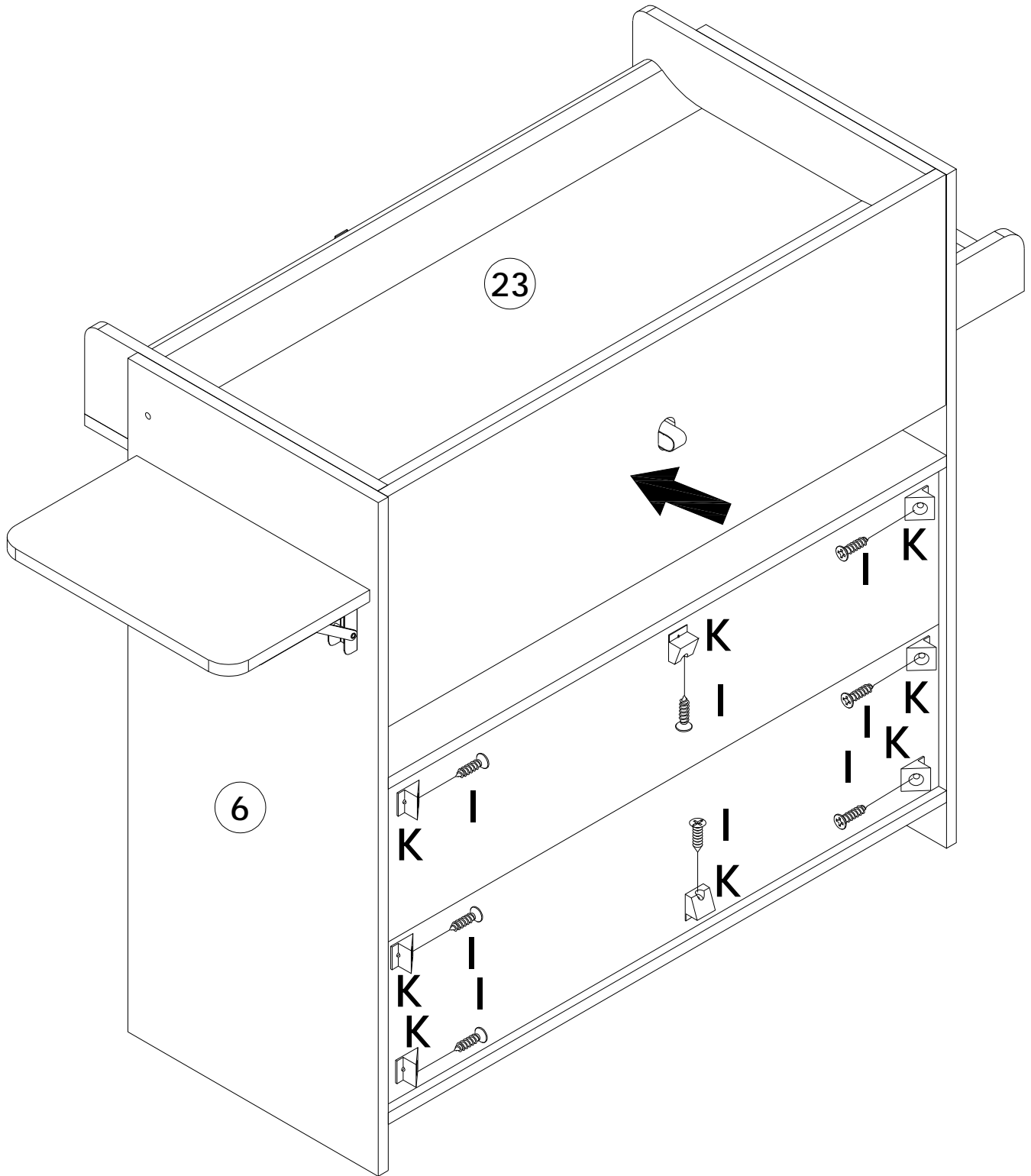


# STEP25



# STEP26

I	×8	K	×8
			
3.5×12		14×13×10	



# STEP27

