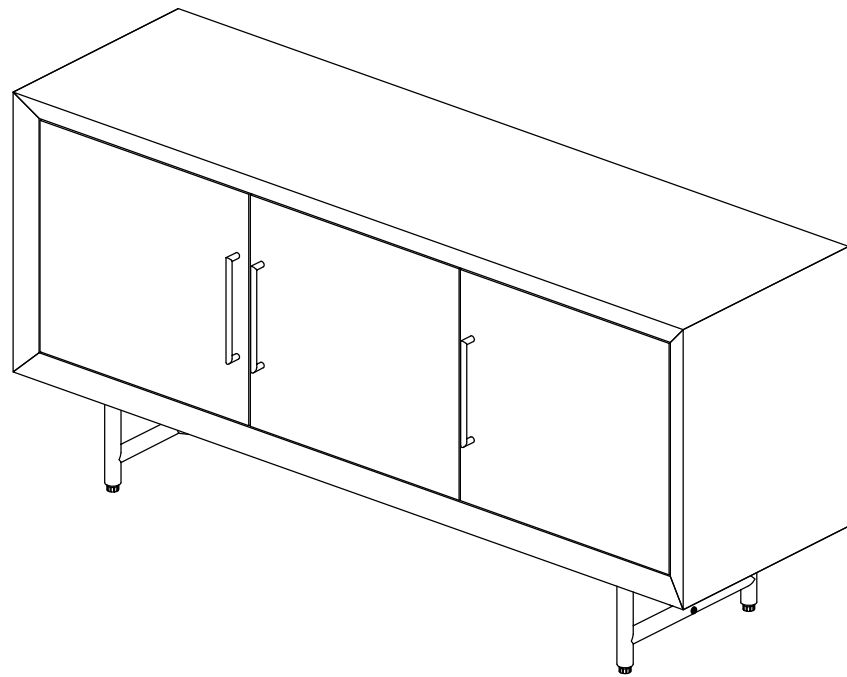


ASSEMBLY INSTRUCTIONS



THANK YOU FOR YOUR PURCHASE!

PARTS AND HARDWARE

PARTS LIST

No.	DESCRIPTION	IMAGE	QTY
P1	BODY		1
P2	LEGS		2
P3	METAL CONNECTOR		1

HARDWARE LIST

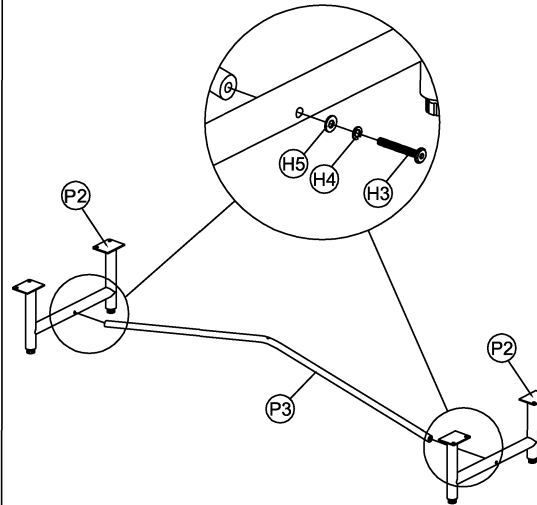
No.	DESCRIPTION	IMAGE	QTY
H1	M6x20 BOLT		8
H2	M6x35 BOLT		1
H3	M6x50 BOLT		2
H4	SPRING WASHER Ø6x10		11
H5	FLAT WASHER Ø6x14		11
H6	M4 ALLEN KEY		1
H7	ANTI TIP KIT		2 SET
H8	MAGNET		6
H9	M3x15 SCREW		12
H10	SCREW DRIVER		NOT PROVIDE

NOTES.

Thank you for purchasing this quality product! Be sure to check all packing material carefully for small part that may have come loose inside the carton during shipping.

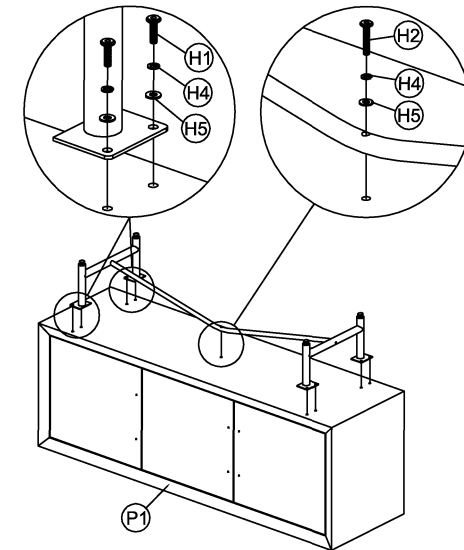
CAUTION: The item is heavy, assembly should be performed by two people.

STEP 1.

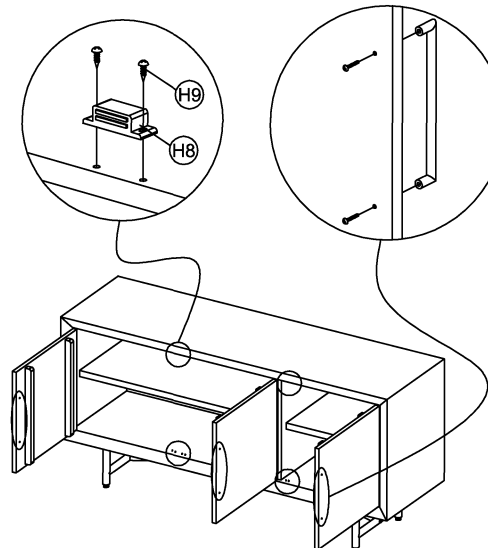


PLS, DON'T TIGHTEN BOLTS UNTIL LAST STEP

STEP 2.



STEP 3.



STEP 4.

