

**COLIN
70" ACRYLIC DOUBLE
ROLL TOP TUB**

Cat. No.
ADR7H70LP



L: 70"
W: 31-3/4"
H: 24-1/2"

Water depth: 16-1/4" to top of tub
Water depth: 11-3/4" to OF

The following is recommended for ADR7H70LP tubs:

- Rim-mounted faucets: part #4601 or 4201
- Straight bath supplies: part #5577
- Leg tub drain: part #5599E

Gallon Capacity:	57
Shipping Weight:	425 lbs.
Empty Weight:	200 lbs.
Filled Weight:	676 lbs.



WARNING: This product can expose you to chemicals, including Toluene and Styrene, which are known to the state of California to cause cancer and birth defects or other reproductive harm.
For more information go to www.P65Warnings.ca.gov

Features:

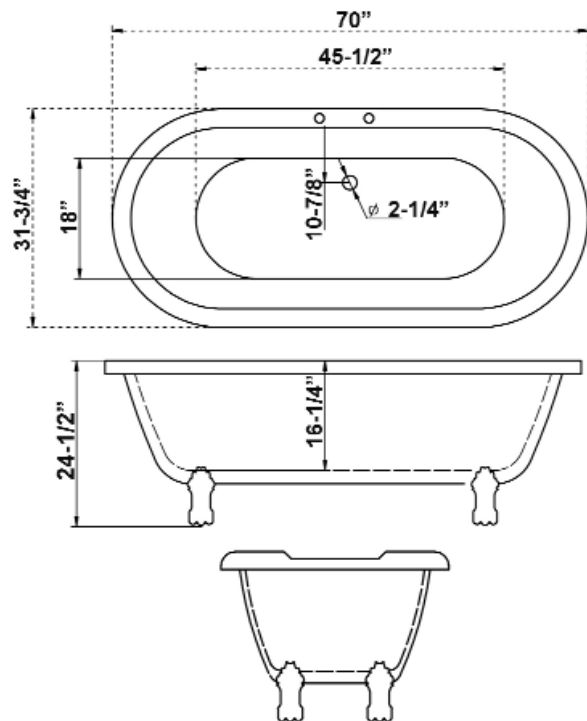
- ▶ Interior and exterior walls acrylic sheets
- ▶ Space between walls partially filled with fiberglass & resin
- ▶ 7" centers in tub deck and overflow
- ▶ Cast aluminum lion paw feet available in 3 finishes
- ▶ Tub is thoroughly inspected before shipment

Feet Finishes:

- BN** Brushed Nickel
- CP** Polished Chrome
- PB** Polished Brass



Custom Colors Available (inside of tub is always white enamel):
Painted bathtubs are considered "special order" and are not returnable
\$160 Bisque or Black \$250 Designer Color



Dimensions of fixture are nominal and specifications subject to change without notice.