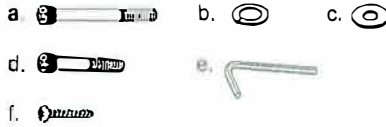


UPHOLSTERY SIDE CHAIR

Assembly Instruction

A. Components :

- 1. Back frame 1 x
- 2. Cushion 1 x
- 3. Stretcher 1 x
- 4. Leg Front L/R 2 x x



B. Hardware :

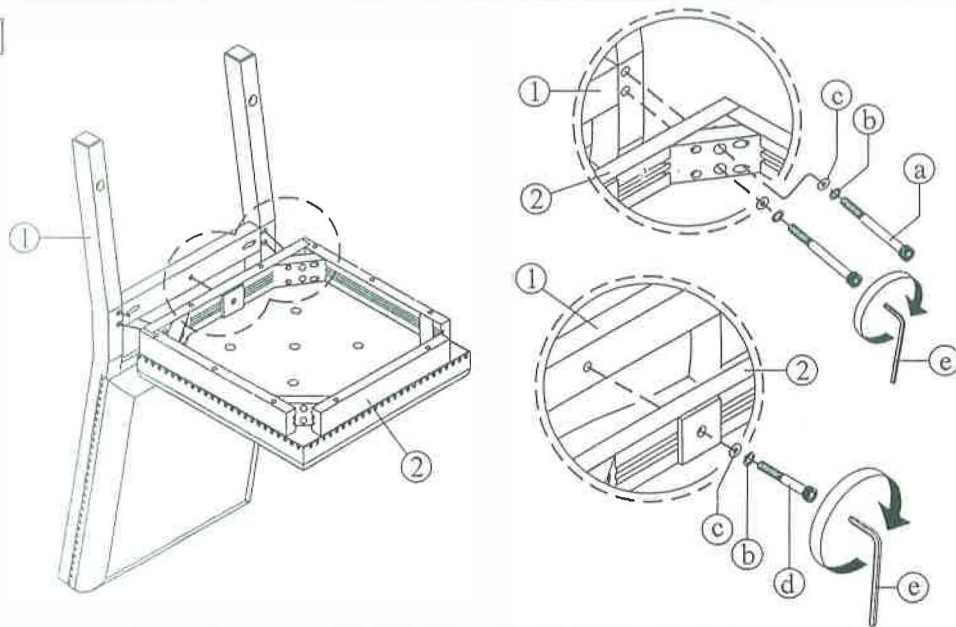
- a. Long Machine Bolt 4 x
- b. Lock Washer 9 x
- c. Flat washer 9 x
- d. Short Machine Bolt 5 x
- e. Allen Key L 1 x
- f. Screw Dry Wall 4 x

Tools Required

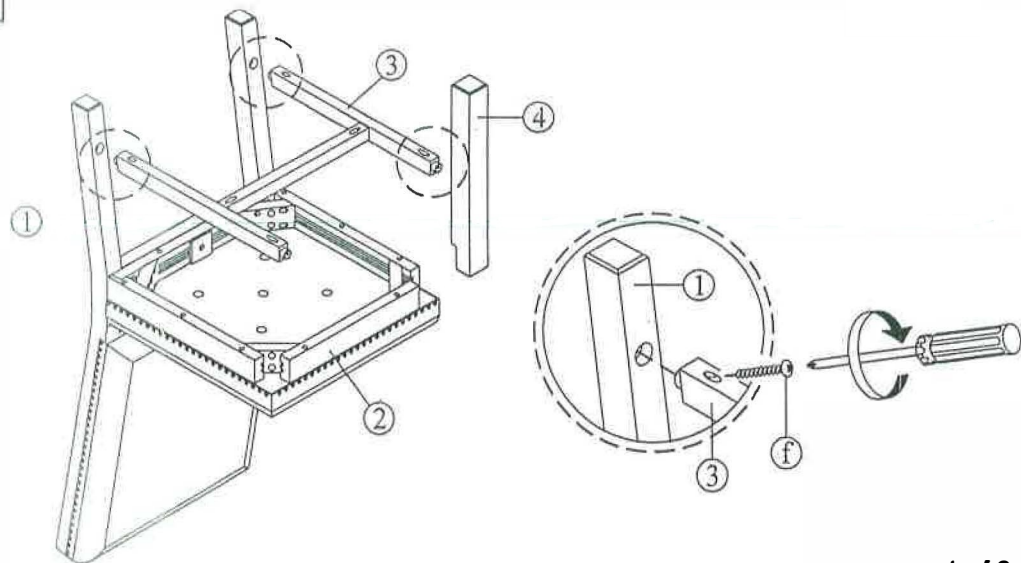
Philips ScrewDriver (Not included)



STEP 1



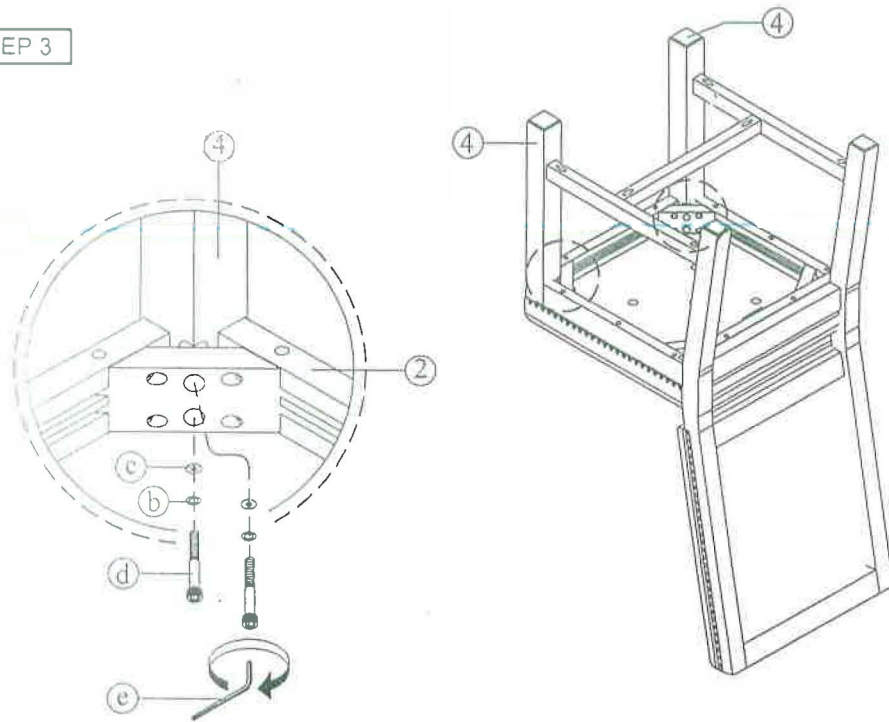
STEP 2



UPHOLSTERY SIDE CHAIR

Assembly Instruction

STEP 3



Assembly Completed

