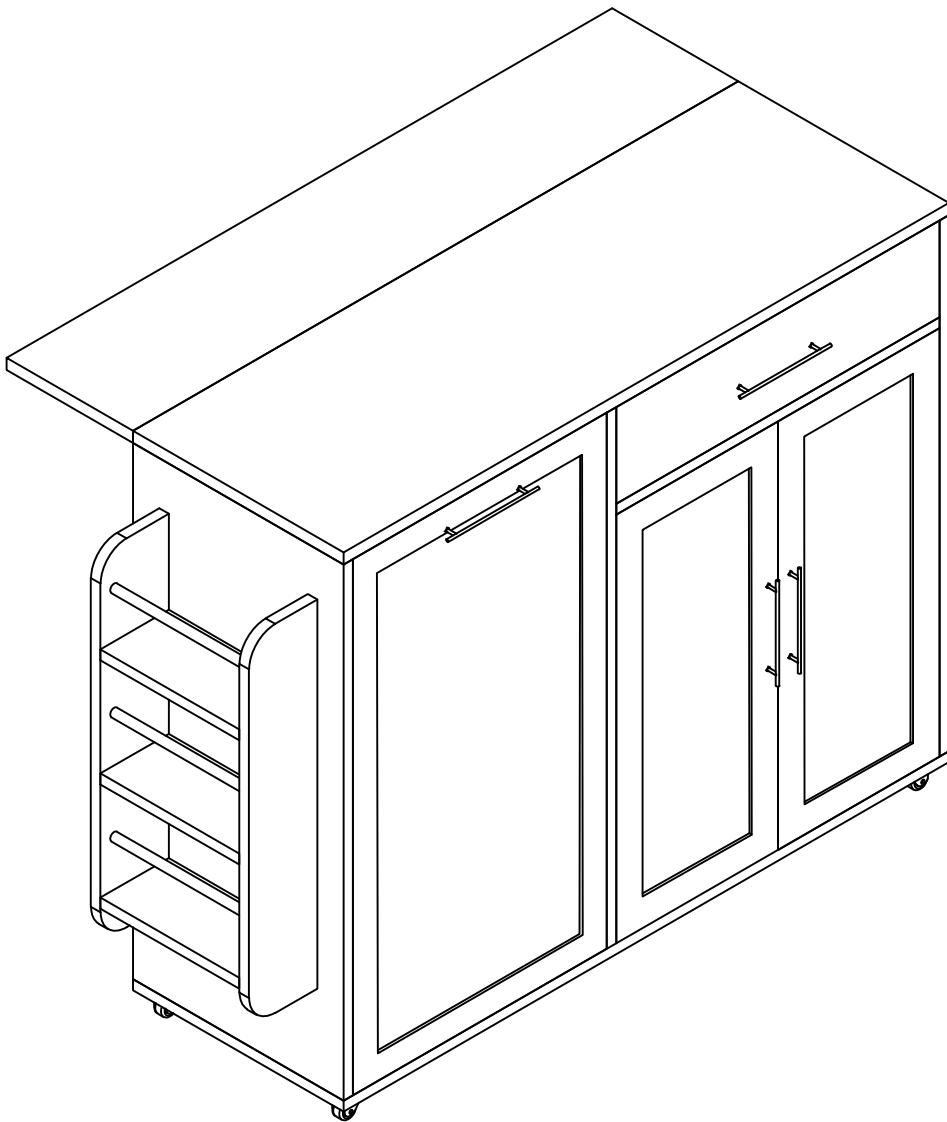
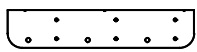

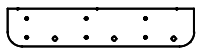

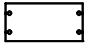
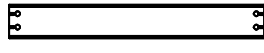

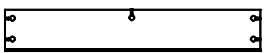
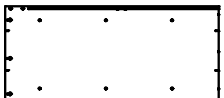
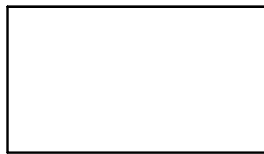
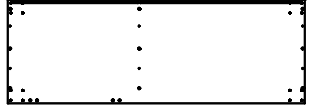
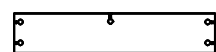

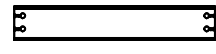

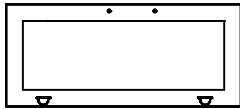
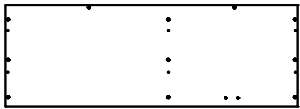
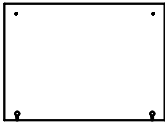

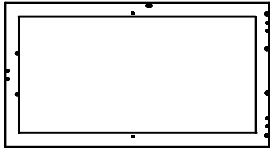




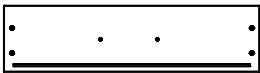
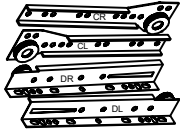


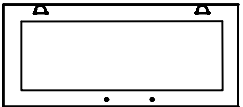
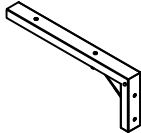


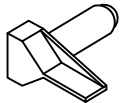
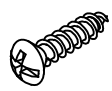
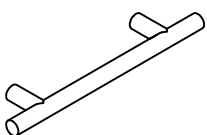

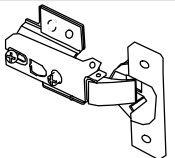

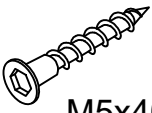
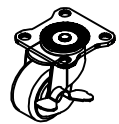
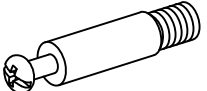


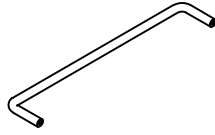

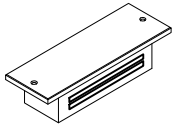


# OtterOasis Kitchen Island with Trash Can Storage

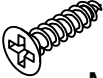

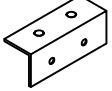
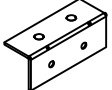





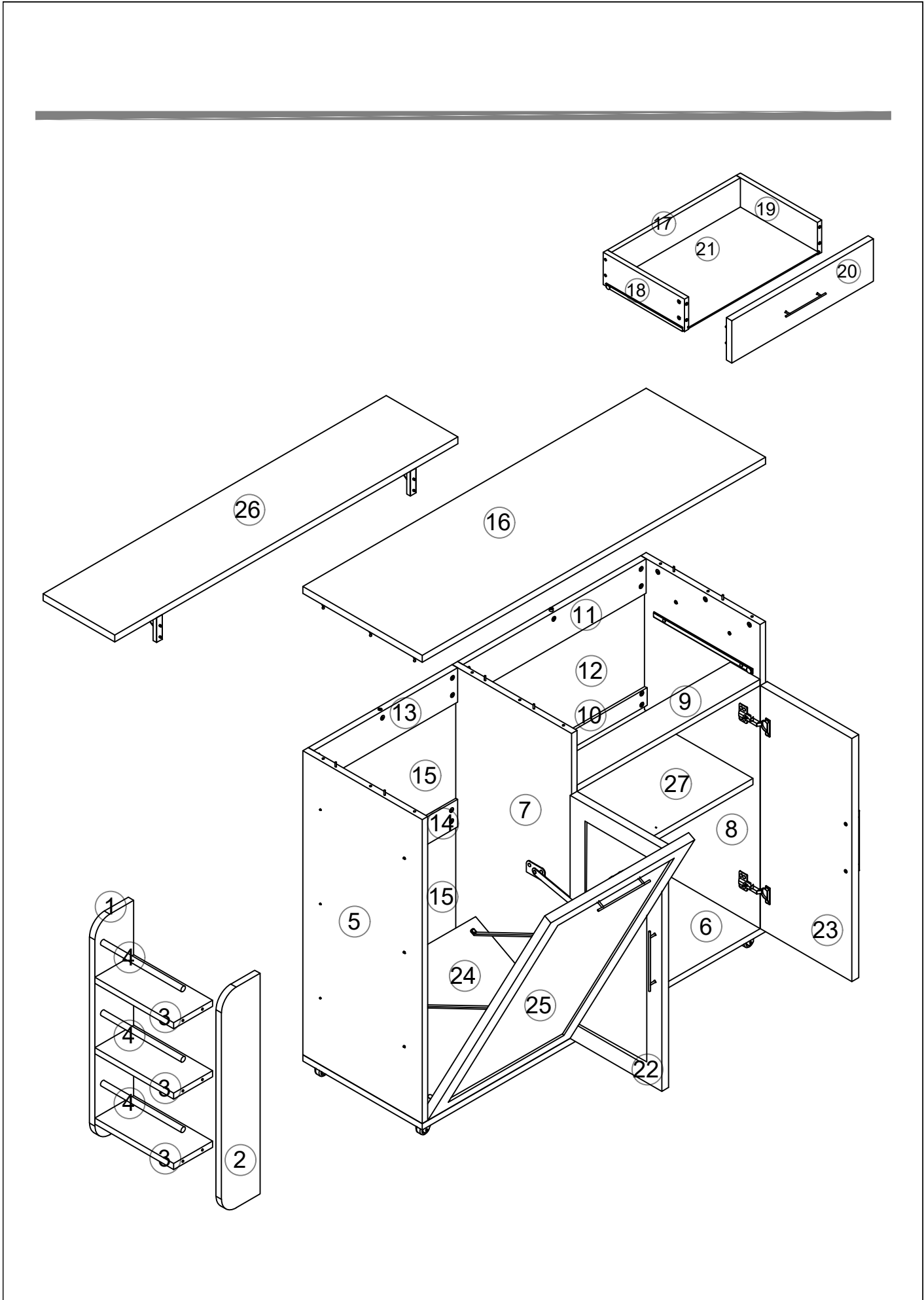
Manufacturer and seller expressly disclaim any and all liability for personal injury, property damage or loss, whether direct, indirect, or incidental, resulting from the incorrect attachment, improper use, inadequate maintenance, unapproved modification, or neglect of this product.

Item no.	Reference Image	Qty.	Item no.	Reference Image	Qty.
①		X1	⑧		X1
②		X1	⑨		X1
③		X3	⑩		X1
④		X3	⑪		X1
⑤		X1	⑫		X2
⑥		X1	⑬		X1
⑦		X1	⑭		X1

Item no.	Reference Image	Qty.	Item no.	Reference Image	Qty.
15		X2	23		X1
16		X1	24		X1
17		X1	25		X1
18		X1	26		X1
19		X1	27		X1
20		X1	A		X1
21		X1	B		X2
22		X1	C		X2

Item no.	Reference Image	Qty.	Item no.	Reference Image	Qty.
(D)		X4	(L)	 M3.5x12mm	X28
(E)		X4	(M)	 M4x20mm	X8
(F)		X4	(N)		X14
(G)	 M5x40mm	X19	(O)		X2
(H)		X49	(P)		X3
(I)		X49	(Q)		X1
(J)	 M3x10mm	X8	(R)		X1
(K)	 M3.5x10mm	X38	(S)		X1

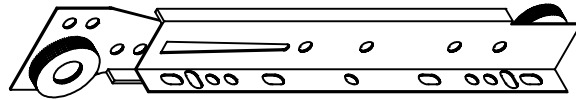
Item no.	Reference Image	Qty.
<p style="text-align: center;">Ⓣ</p>	 <p style="text-align: center;">M3.5x16mm</p>	<p style="text-align: center;">X6</p>
<p style="text-align: center;">Ⓤ</p>		<p style="text-align: center;">X1</p>
<p style="text-align: center;">Ⓥ</p>		<p style="text-align: center;">X1</p>
<p style="text-align: center;">Ⓦ</p>		<p style="text-align: center;">X2</p>
<p style="text-align: center;">Ⓧ</p>	 <p style="text-align: center;">M6x30mm</p>	<p style="text-align: center;">X2</p>
		



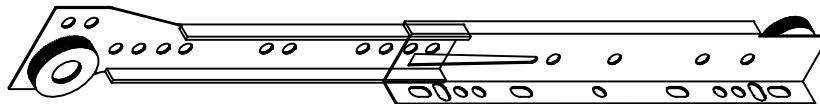
**EN**

## PRE-FIXED DRAWER RUNNER INSTRUCTIONS

Pull inner and outer drawer runners apart before fixing them to panels.



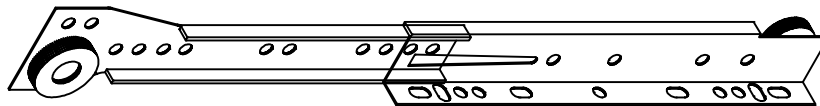
Slide drawer runners apart until the drawer lock can be seen, as shown.



OUTER RUNNER

INNER RUNNER

Press and hold the drawer runner lock and then continue to slide drawer runners apart, as shown.

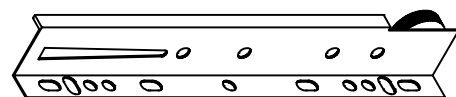


OUTER RUNNER

INNER RUNNER

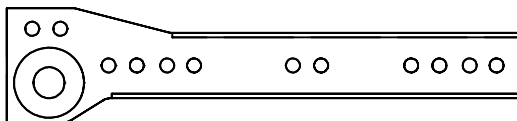


OUTER RUNNER

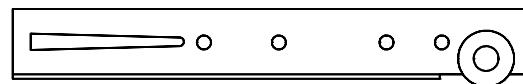


INNER RUNNER

Your inner and outer drawer runners are ready to be fixed to panels.



OUTER RUNNER



INNER RUNNER

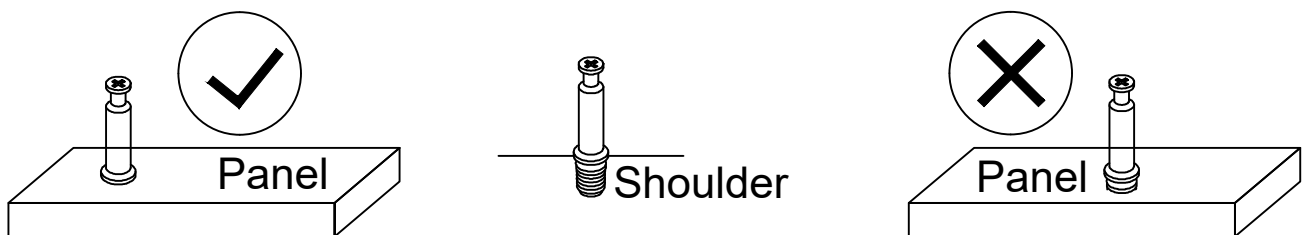
When installing the outer guide rail, please use the guide rail notch to assemble towards the inner direction of the drawer. Please fix the screws according to the marked position. If the installed position is changed, adjust it side-to-side at the marked position.

When installing the inner guide rail, please use the guide rail notch to assemble towards the inner direction of the drawer. Please fix the screws according to the marked position. If the installed position is changed, adjust it up and down at the marked position.

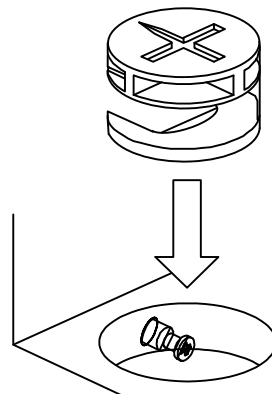
**EN**

## Use the Cam Lock and Eccentric Wheel ECCENTRIC WHEEL

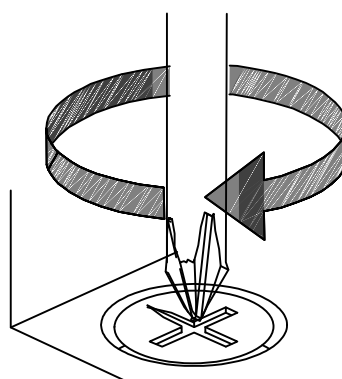
Tighten the bolt until the shoulder is aligned with the panel.  
Be sure not to tighten too much or too little.



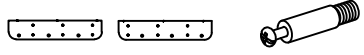
The pre-inserted nut should align with the center of the cam lock when joining two panels. The cam lock should be inserted before the eccentric wheel.



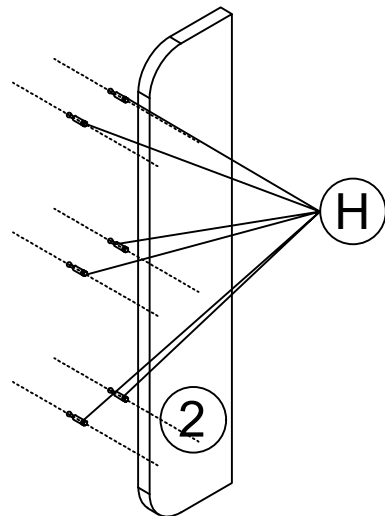
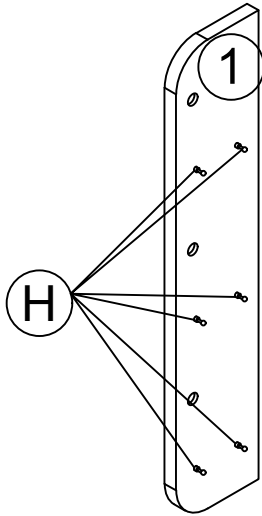
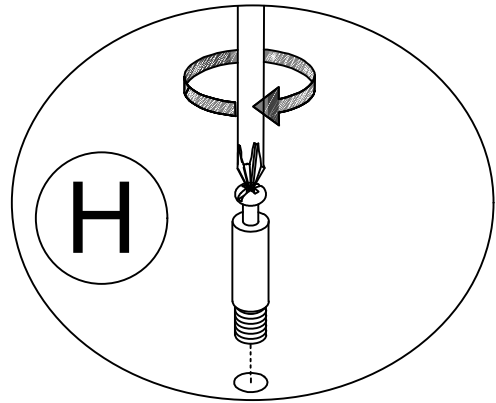
Turn the cam lock clockwise to tighten.



**1**



① 1pc ② 1pc H 12pcs



**2**



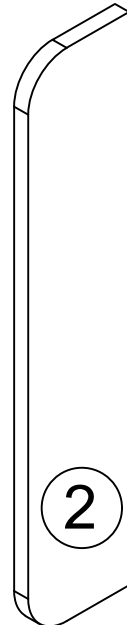
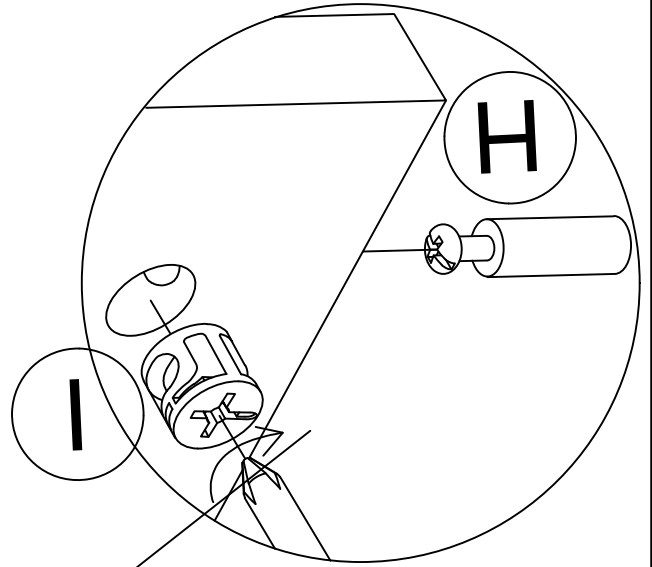
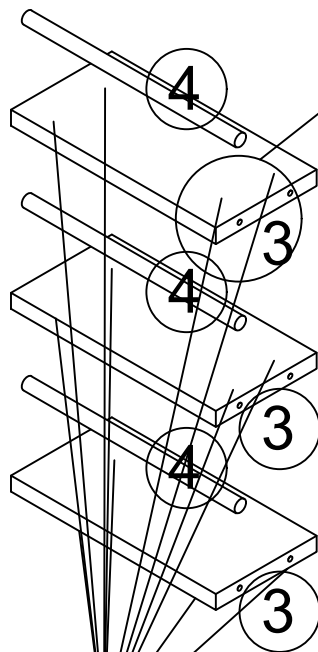
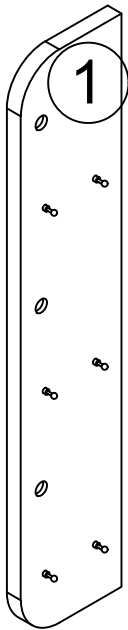
③ 3pcs



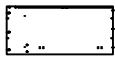
④ 3pcs



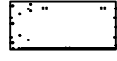
① 12pcs



**3**



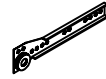
⑦ 1pc



⑧ 1pc



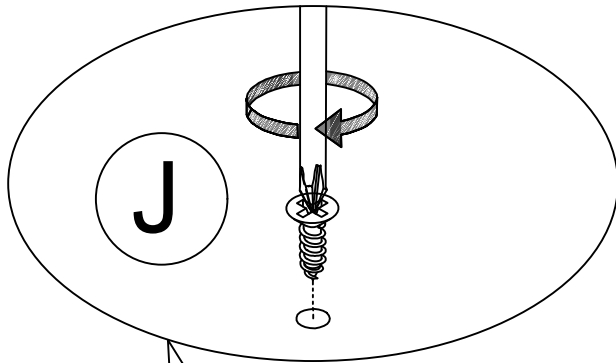
Ⓐ CR-1pc



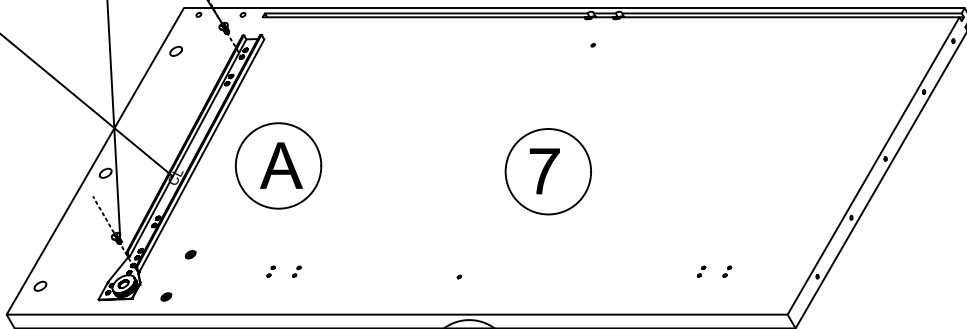
Ⓐ CL-1pc



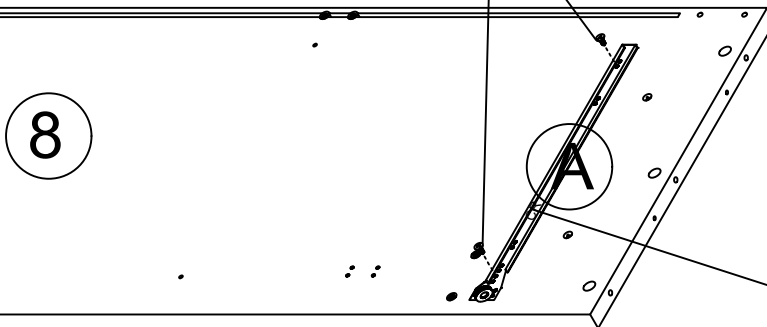
Ⓝ J4pcs



CL

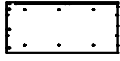


Ⓝ J

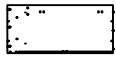


CR

**4**



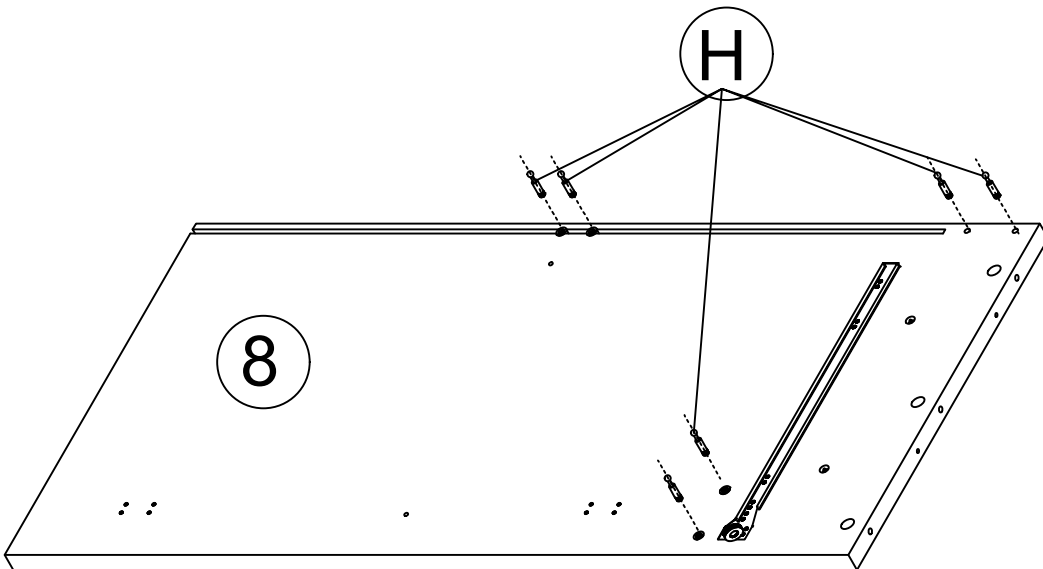
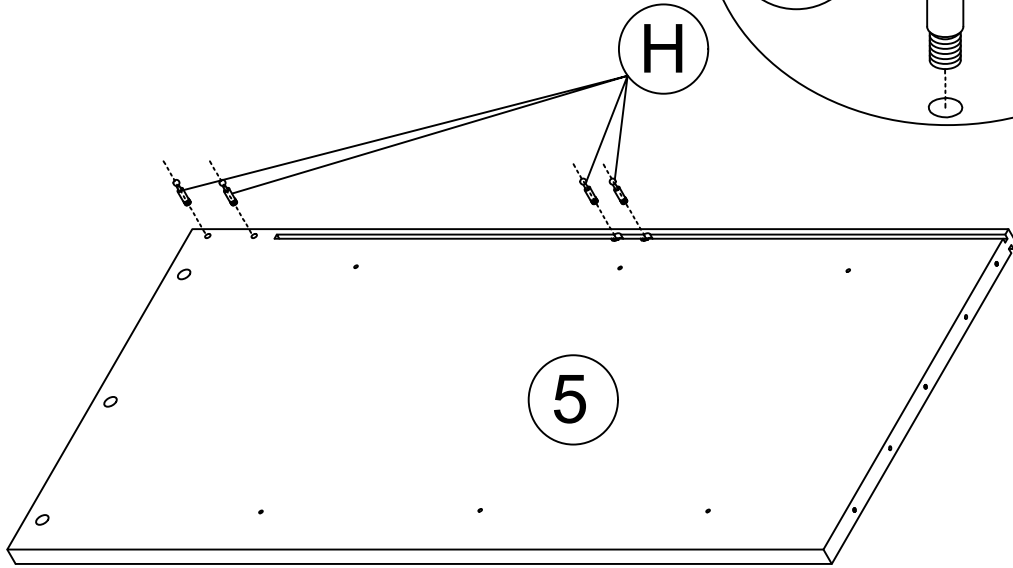
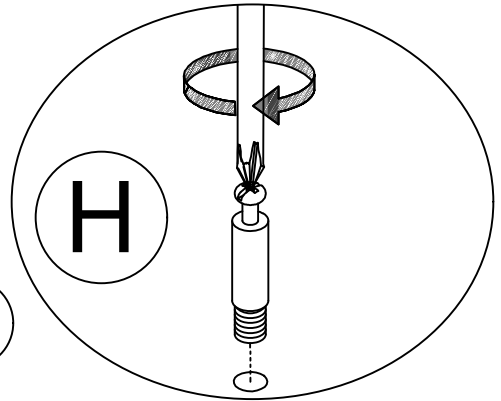
⑤ 1pc



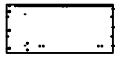
⑧ 1pc



Ⓜ 10pcs

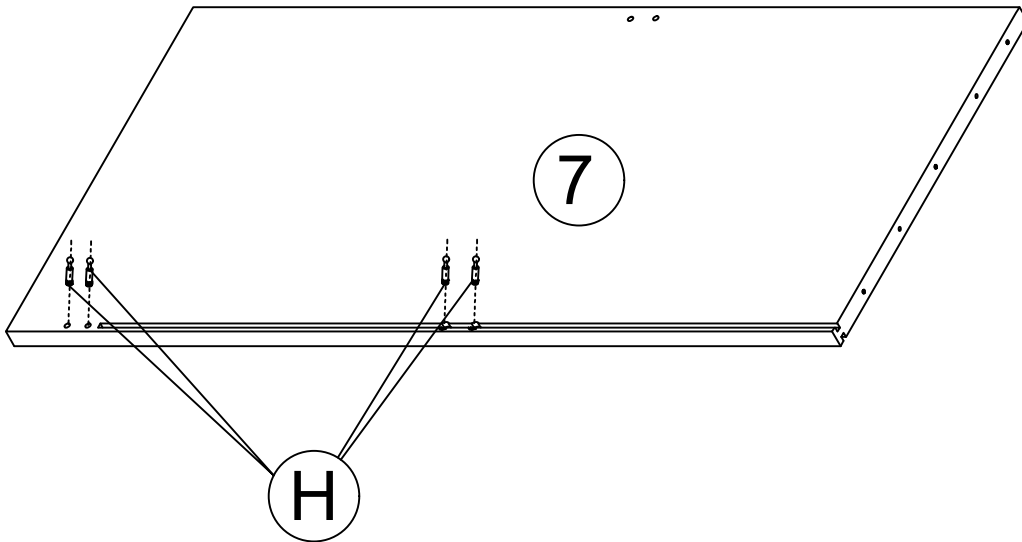
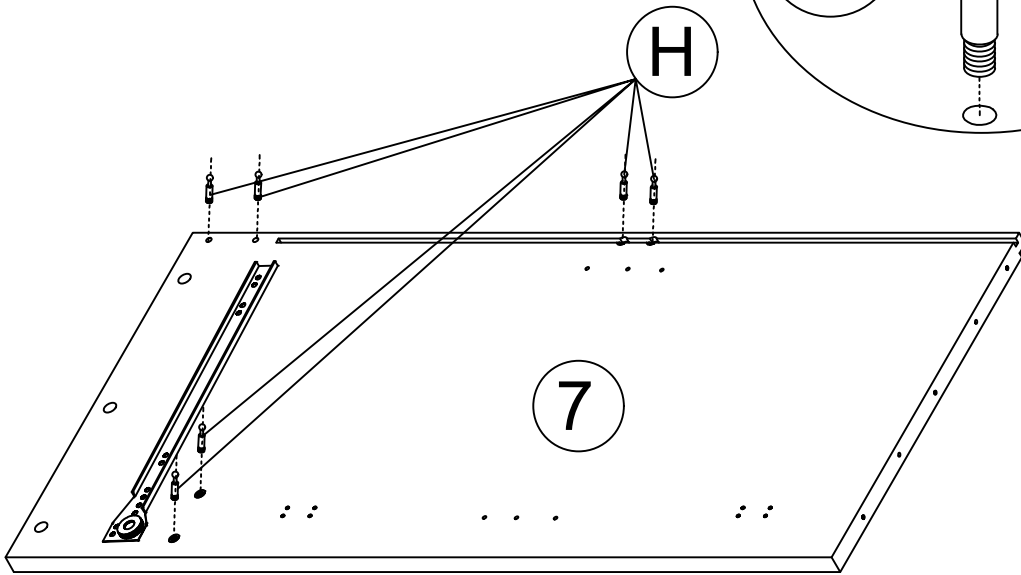
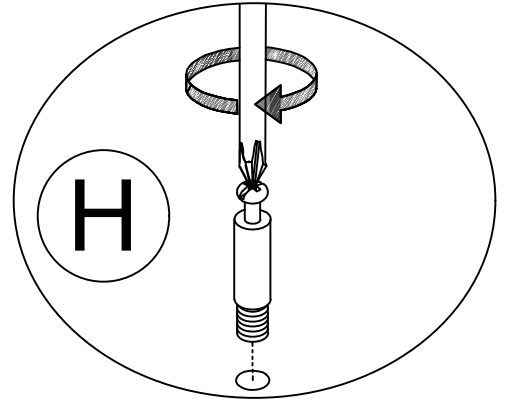


**5**



⑦ 1pc

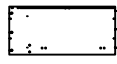
ⓓ 10pcs



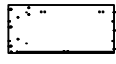
**6**



⑤ 1pc



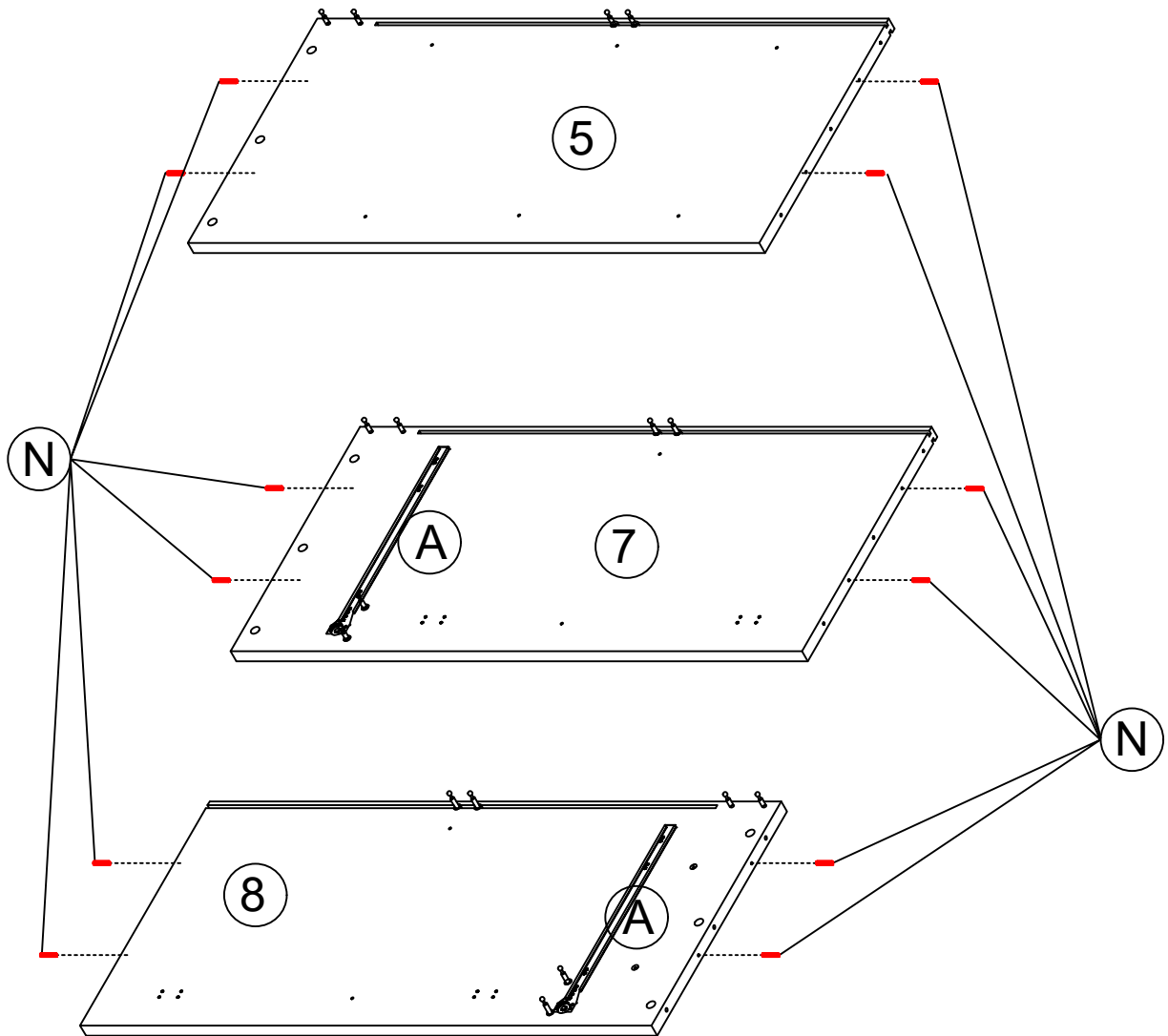
⑦ 1pc



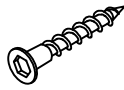
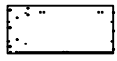
⑧ 1pc



Ⓐ 12pcs



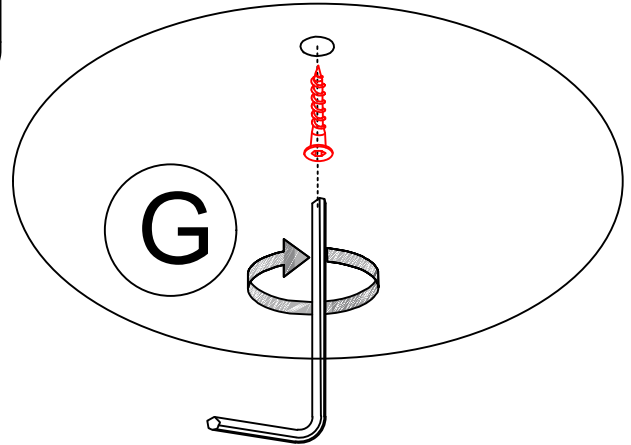
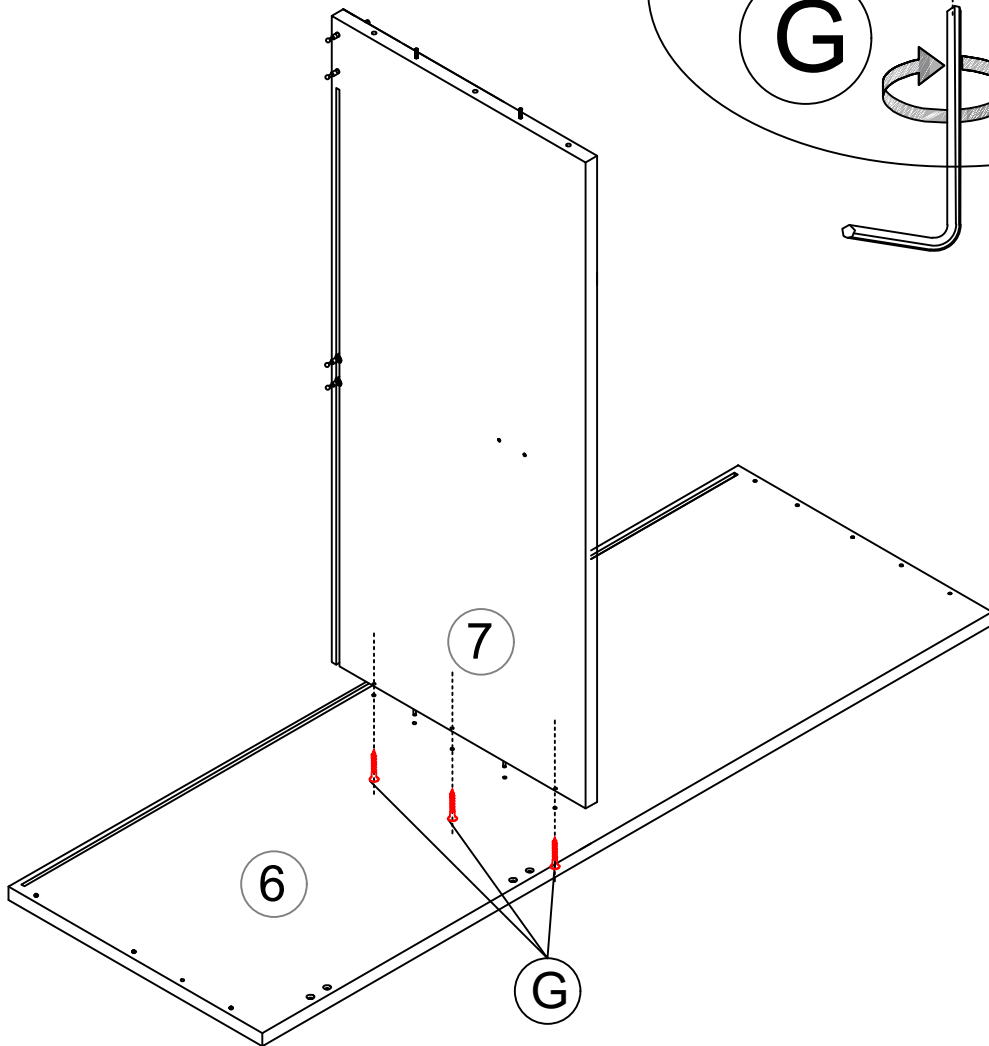
7



⑥ 1pc

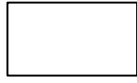
⑦ 1pc

ⓐ 3pcs

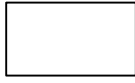


---

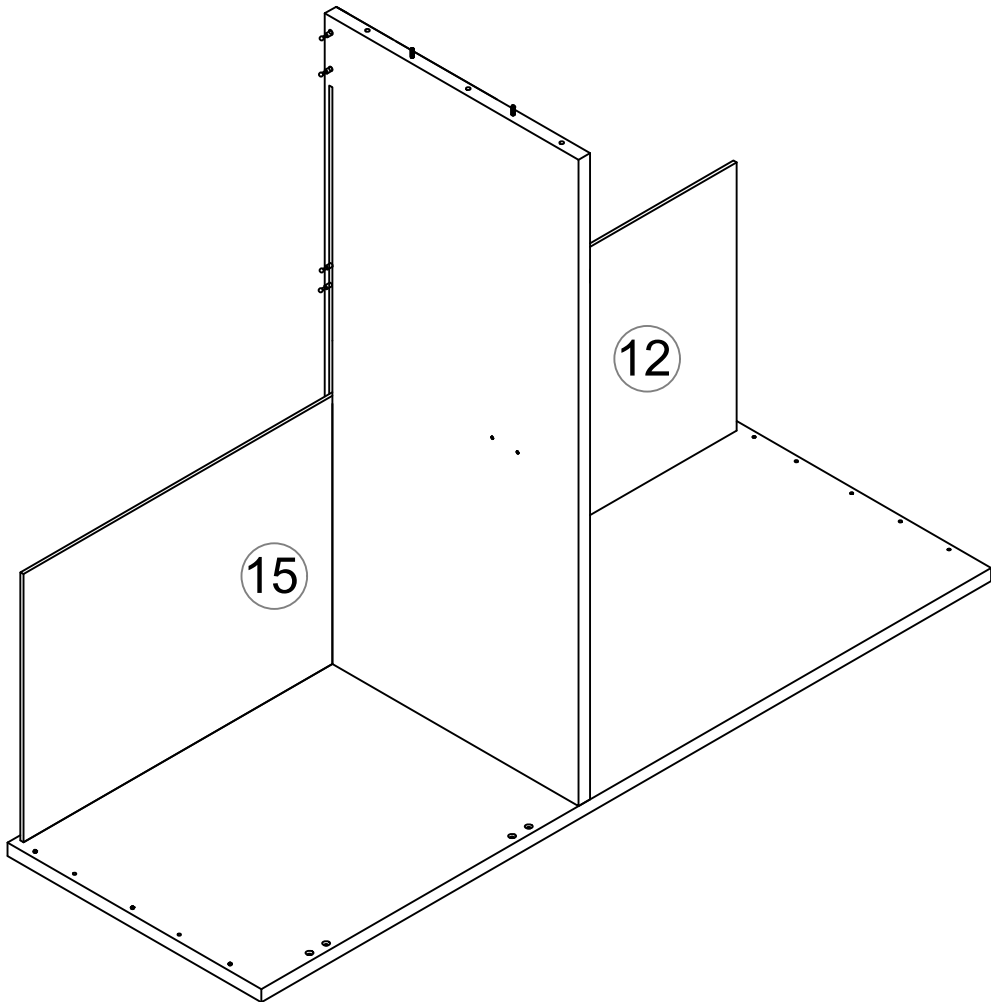
**8**



⑫ 1pc



⑮ 1pc



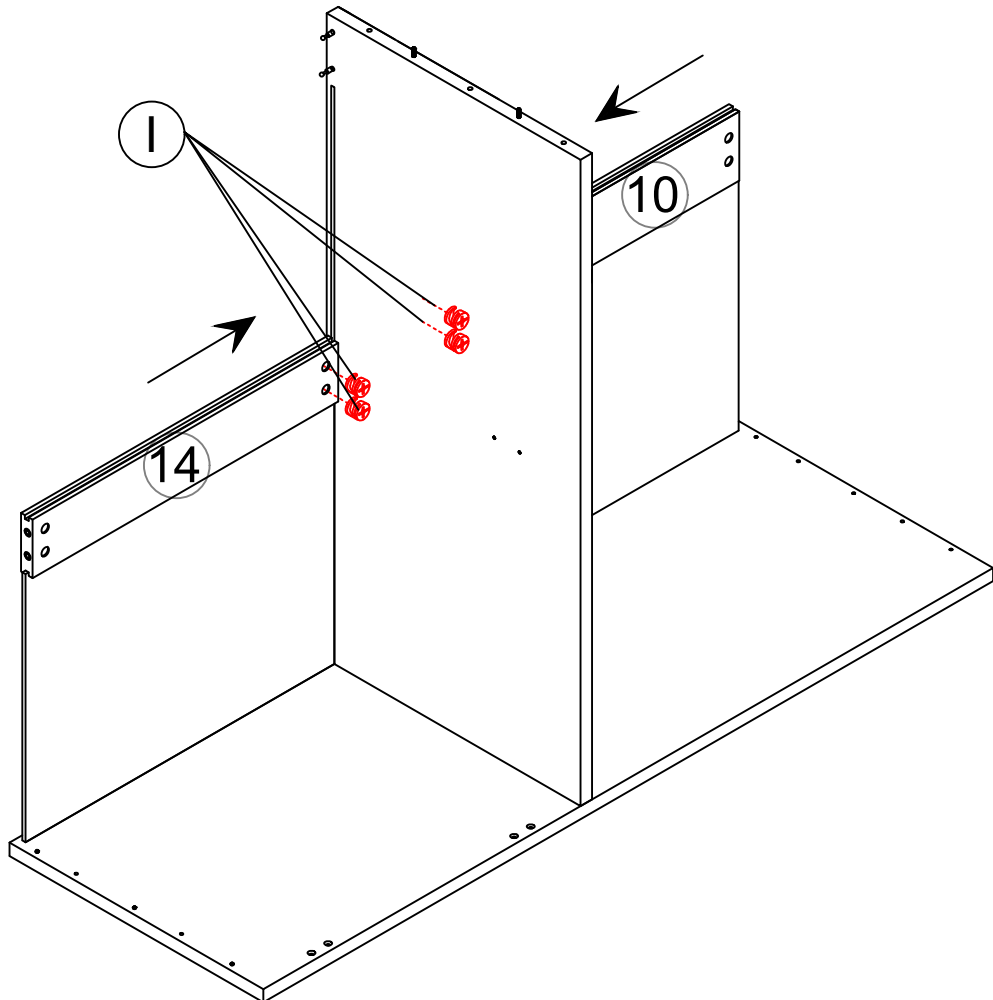
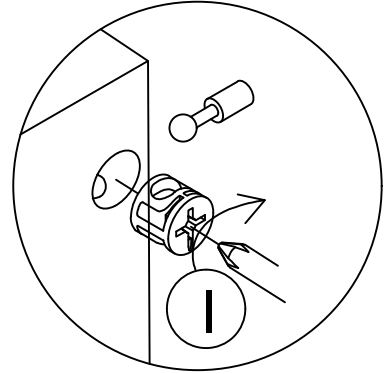
9



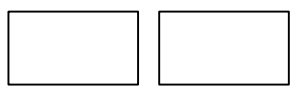
10 1pc

14 1pc

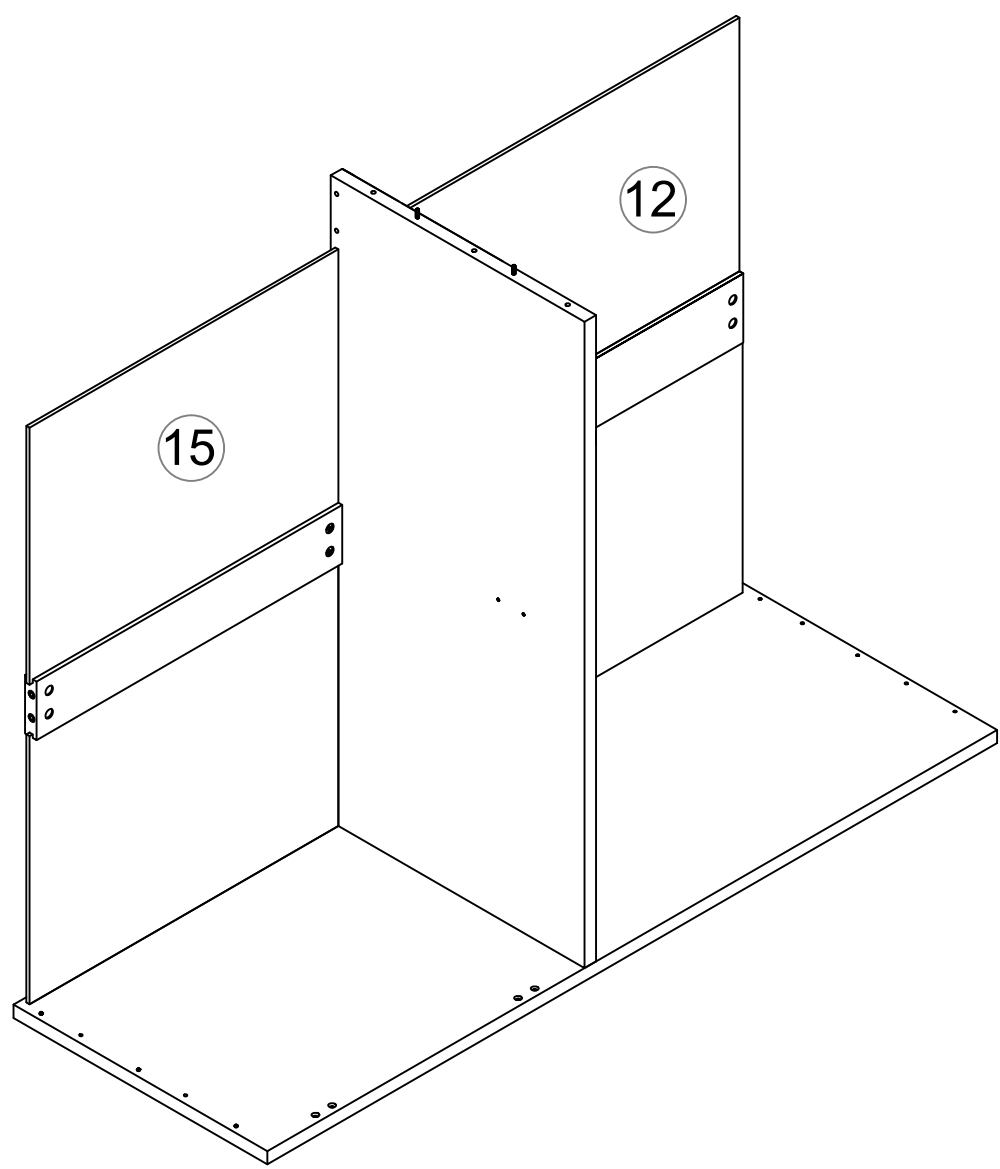
1 4pcs



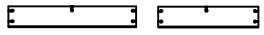
**10**



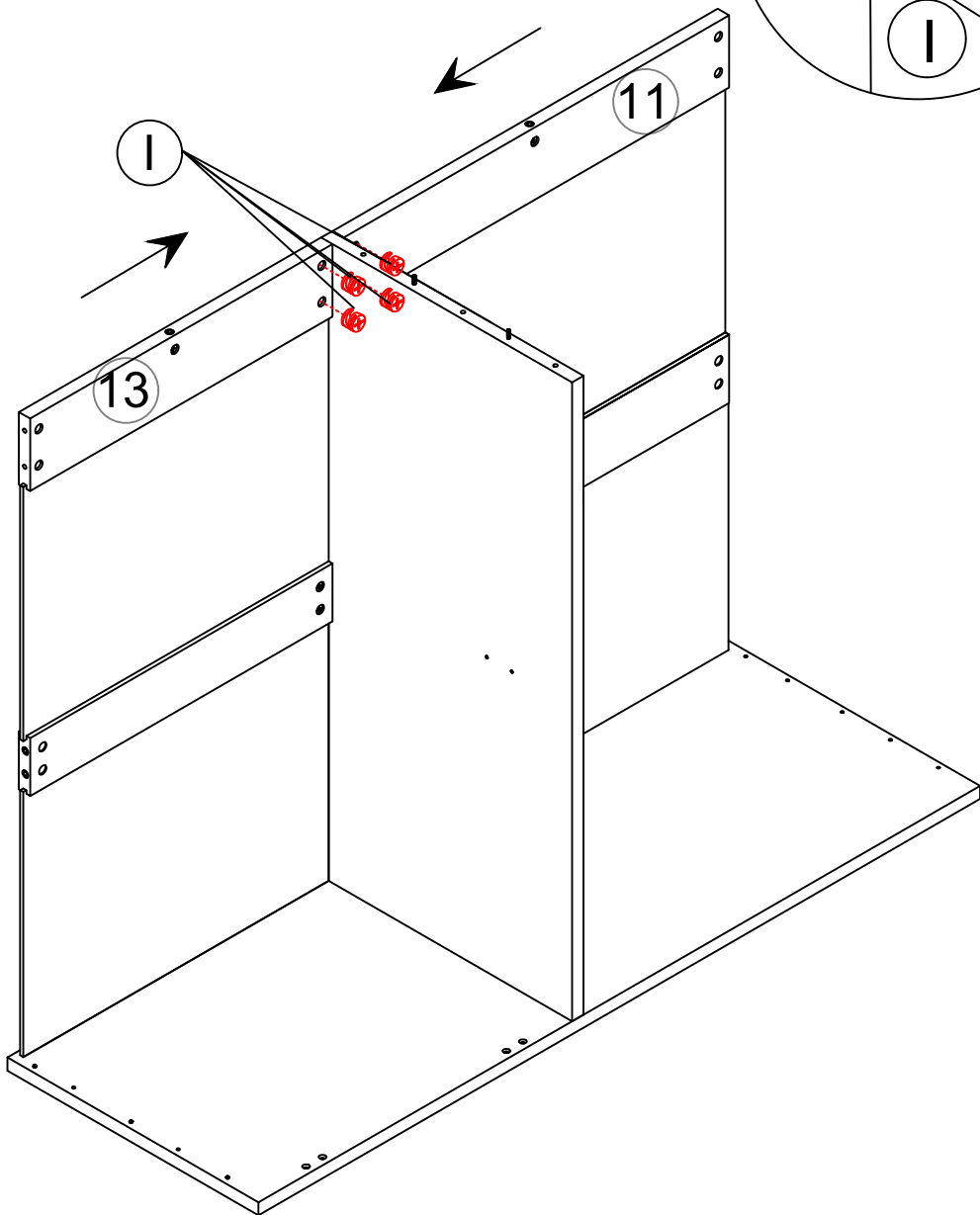
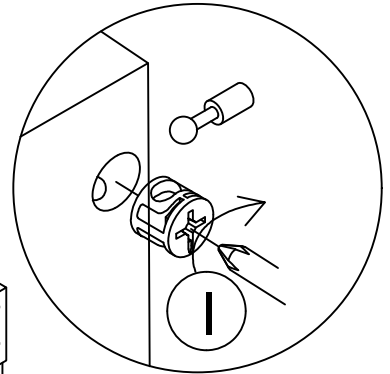
⑫ 1pc ⑮ 1pc




# 11



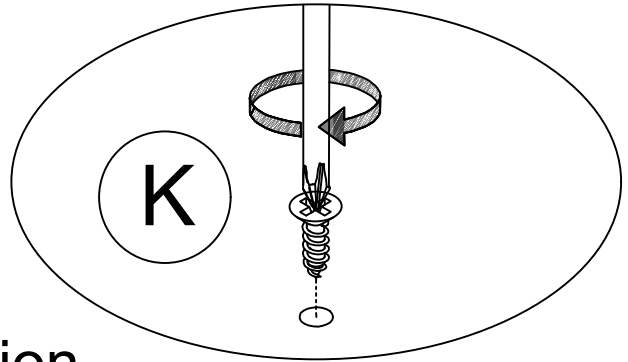
①① 1pc ①③ 1pc ① I 4pcs



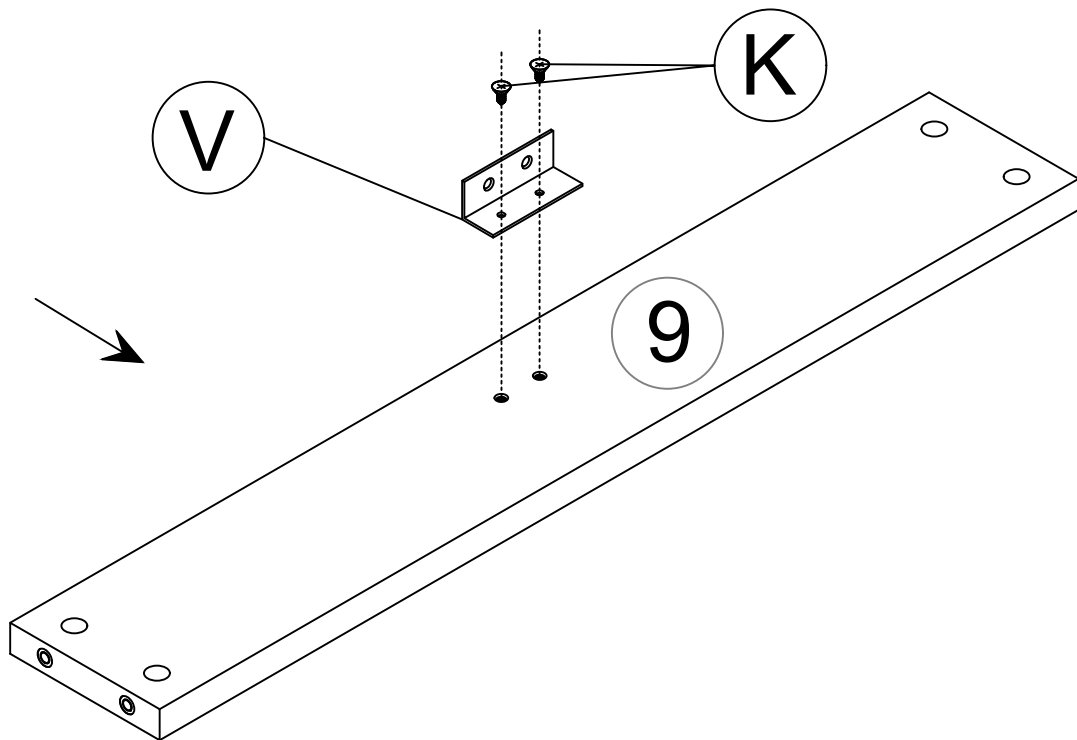
**12**



⑨1pc ①K2pcs ①V1pcs

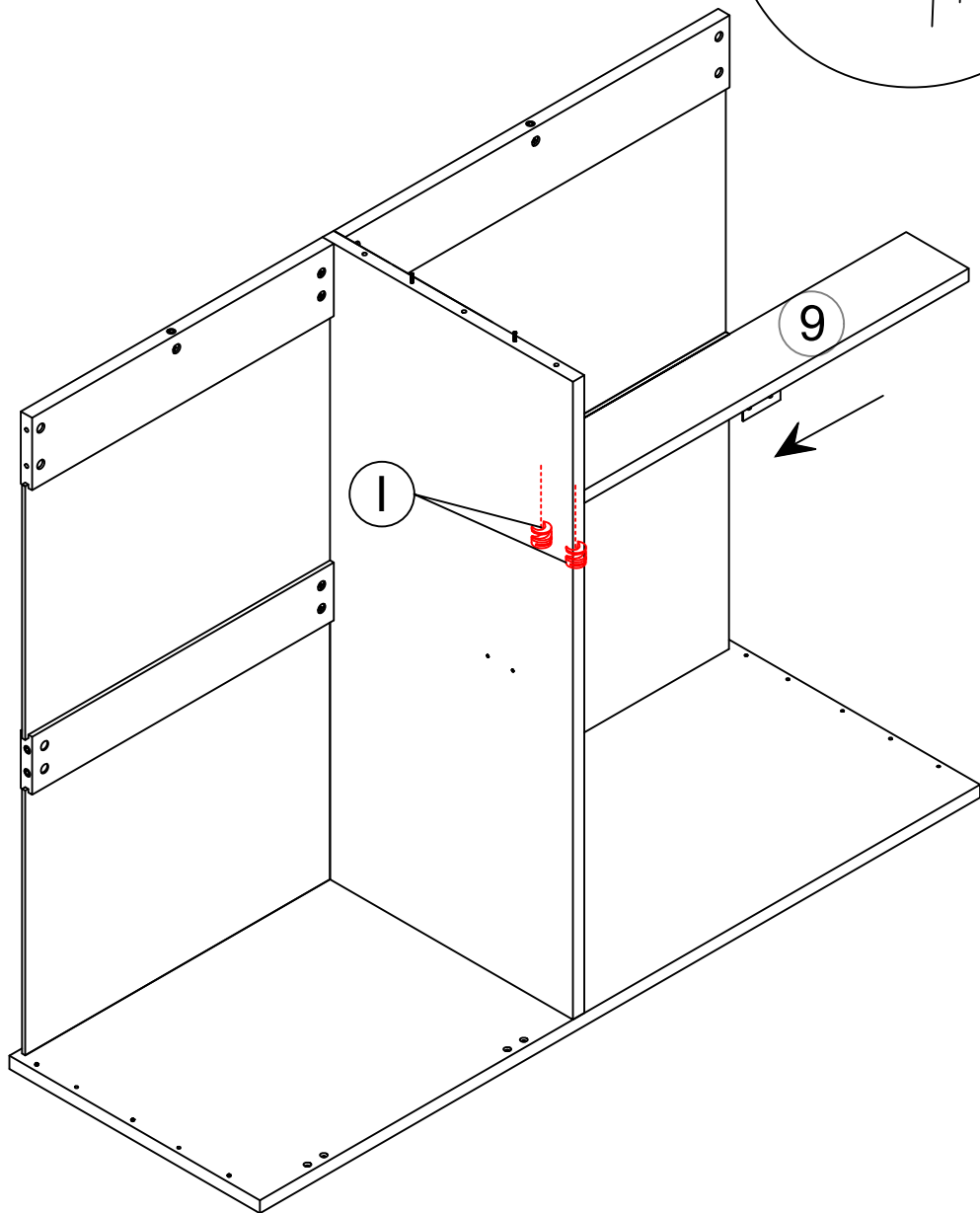
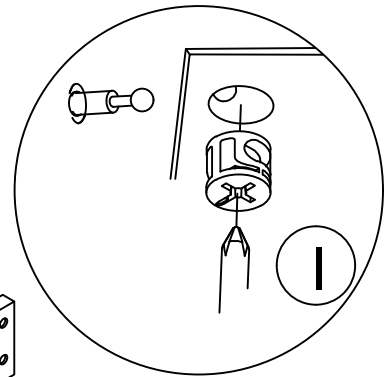
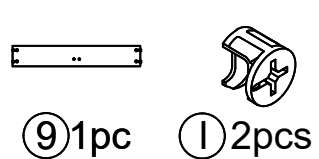


Pay attention to the direction,  
make sure this side is facing out.

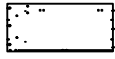


**13**

⑨ 1pc    ① 2pcs



14



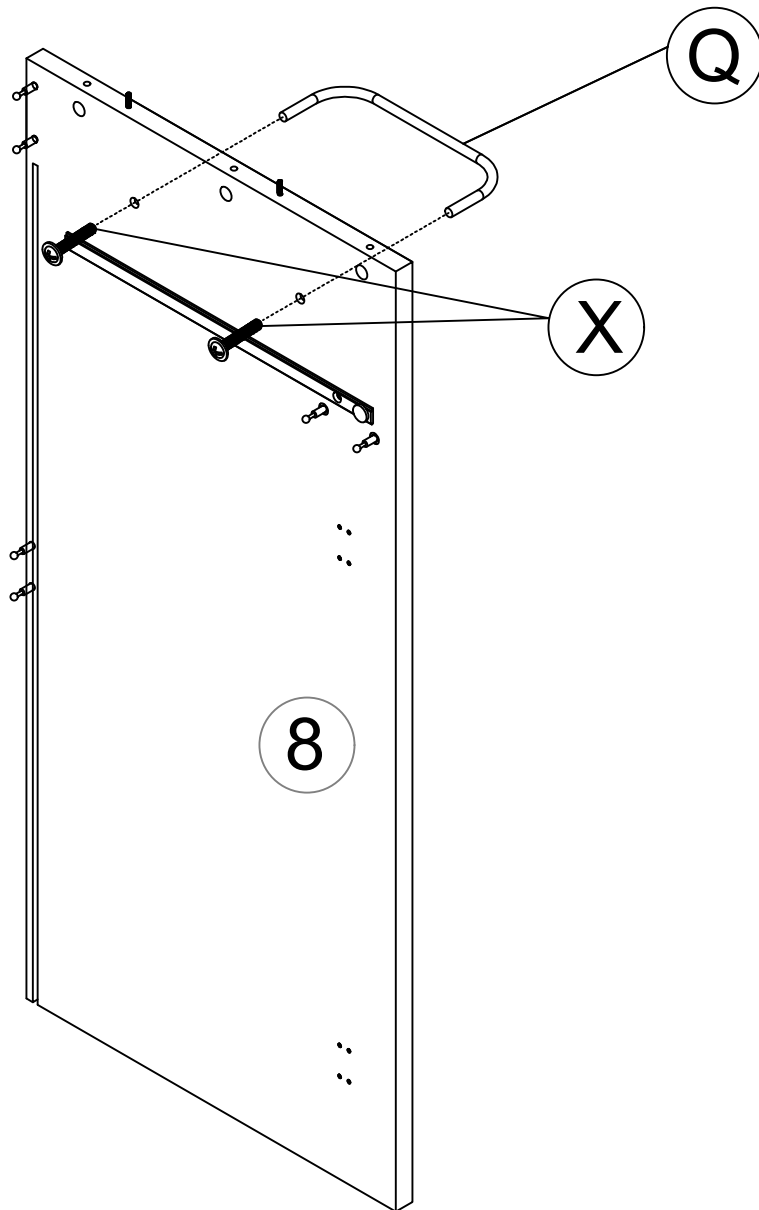
⑧1pc



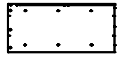
ⓧ2pcs

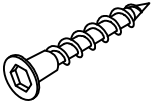


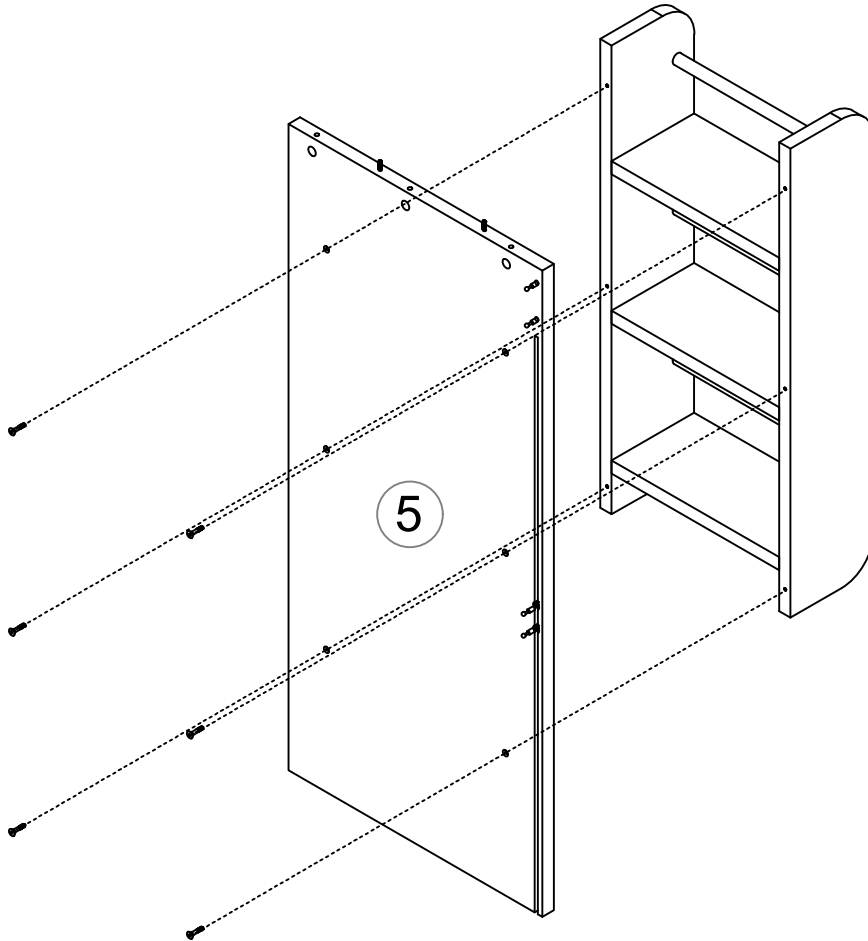
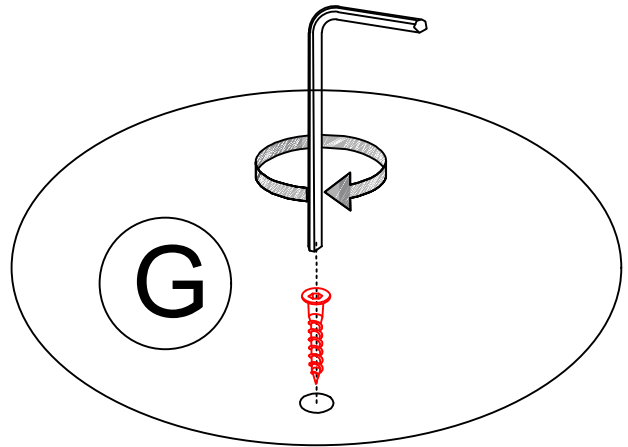
Ⓚ1pc




**15**

 ⑤ 1pc

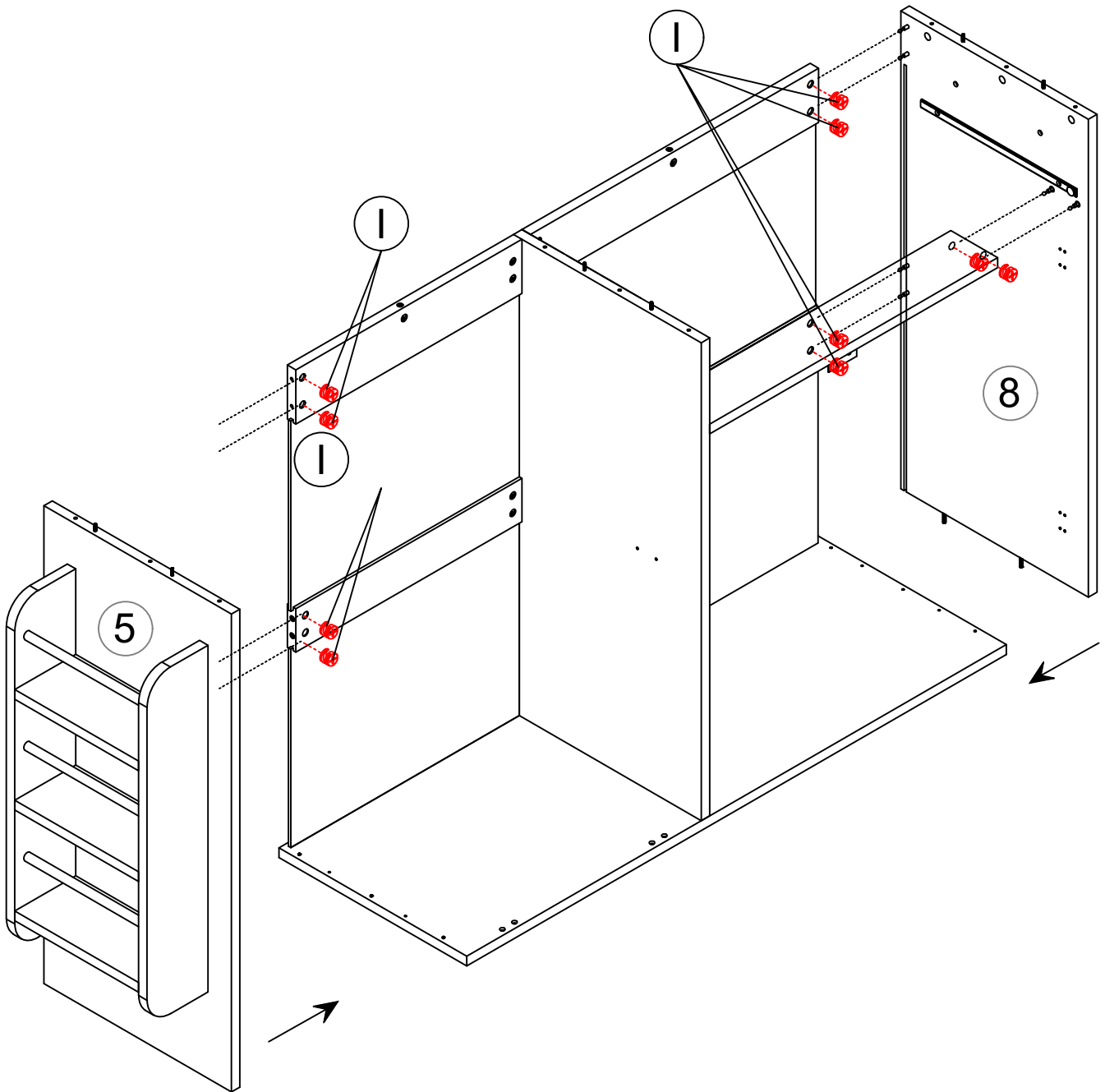
 ⑥ 6pcs



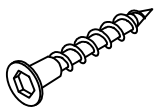
**16**



① 10pcs



**17**



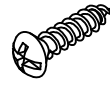
ⓐ 6pcs



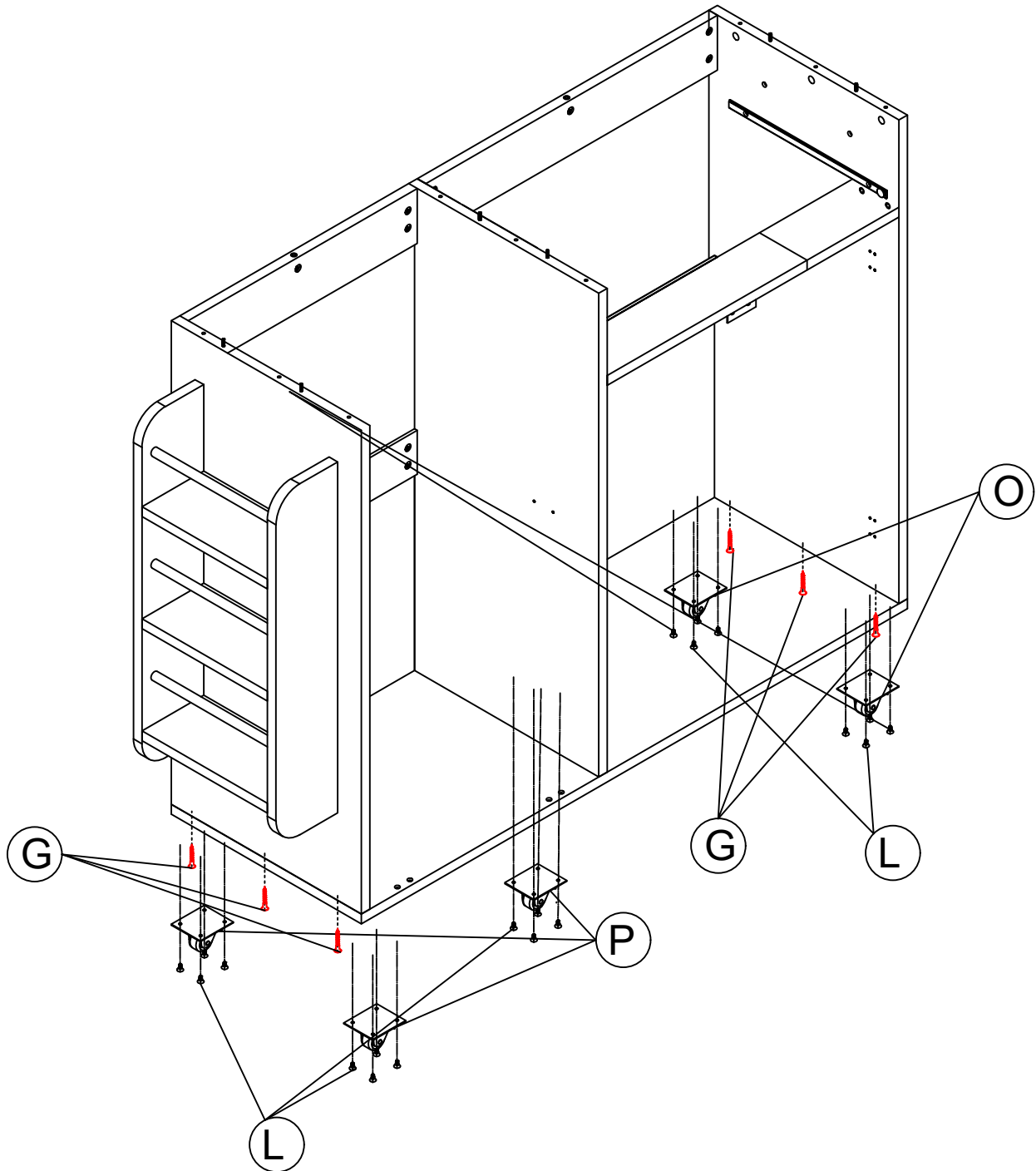
ⓐ 2pcs



ⓐ 3pcs

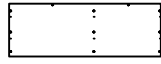


ⓐ 20pcs



This step involves tilting the island platform backwards for installation

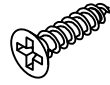
# 18



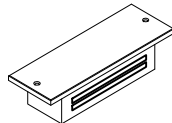
⑩ 1pcs



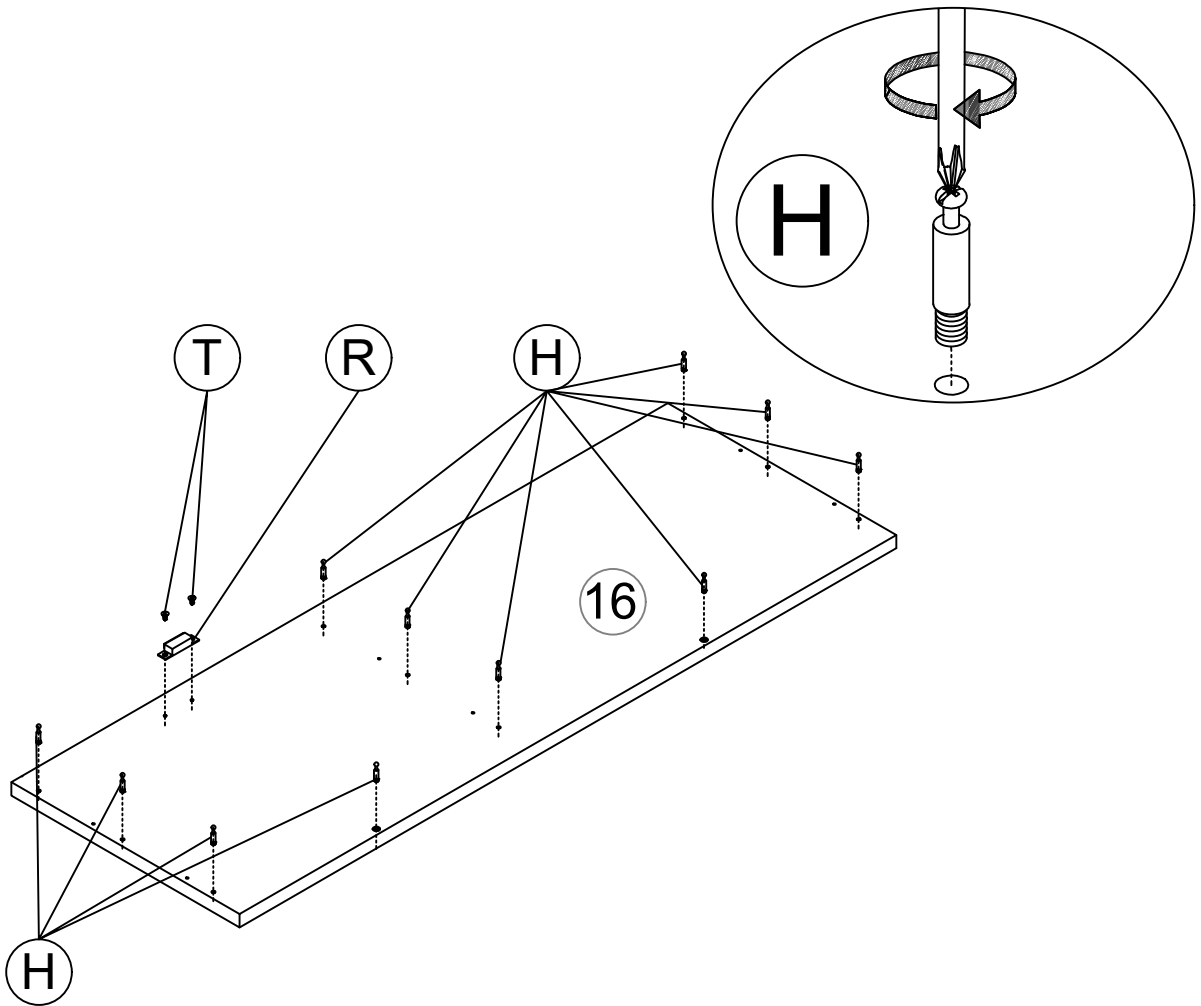
⑨ 11pcs



⑦ 2pcs



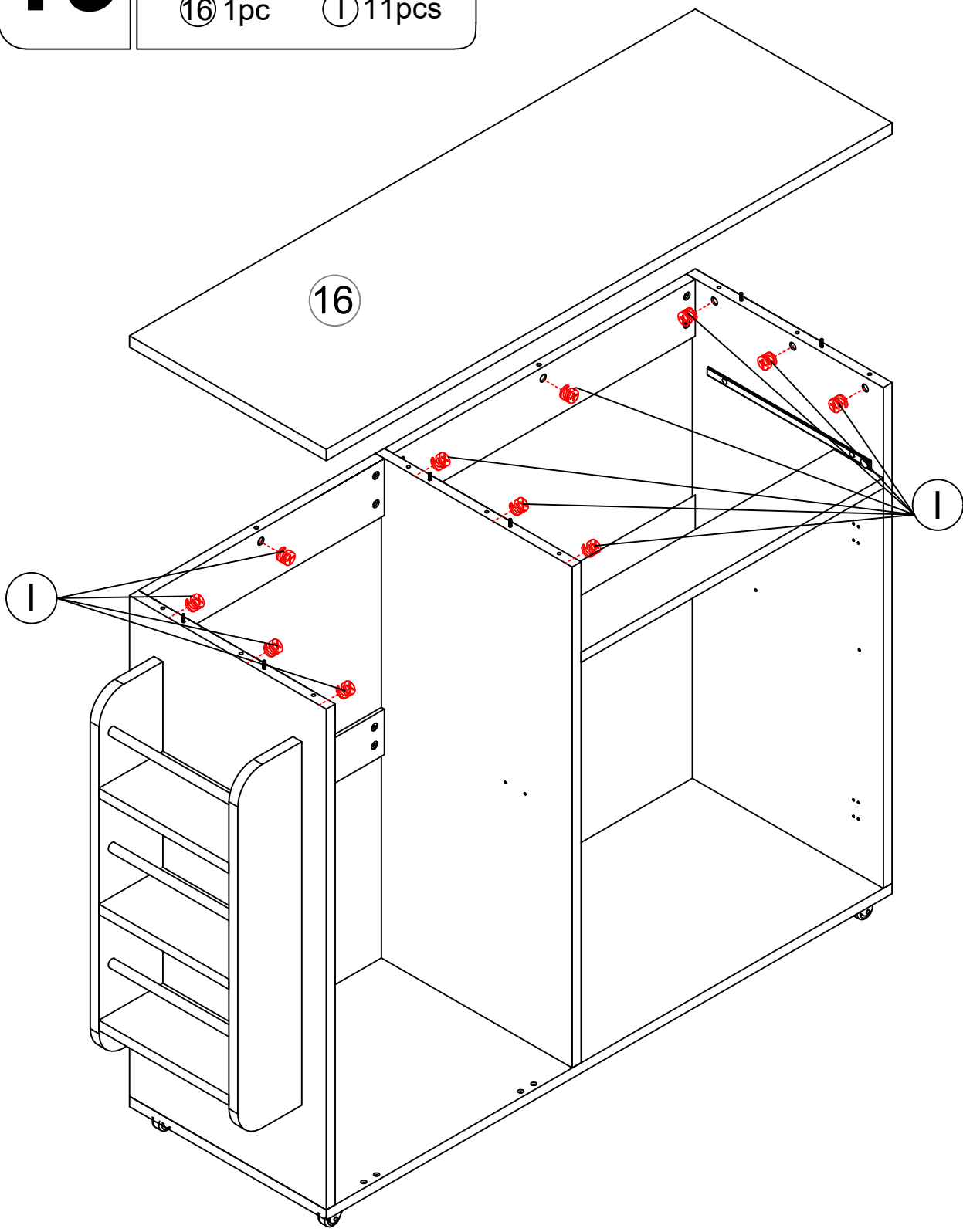

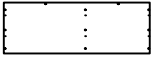
⑧ 1pcs



**19**

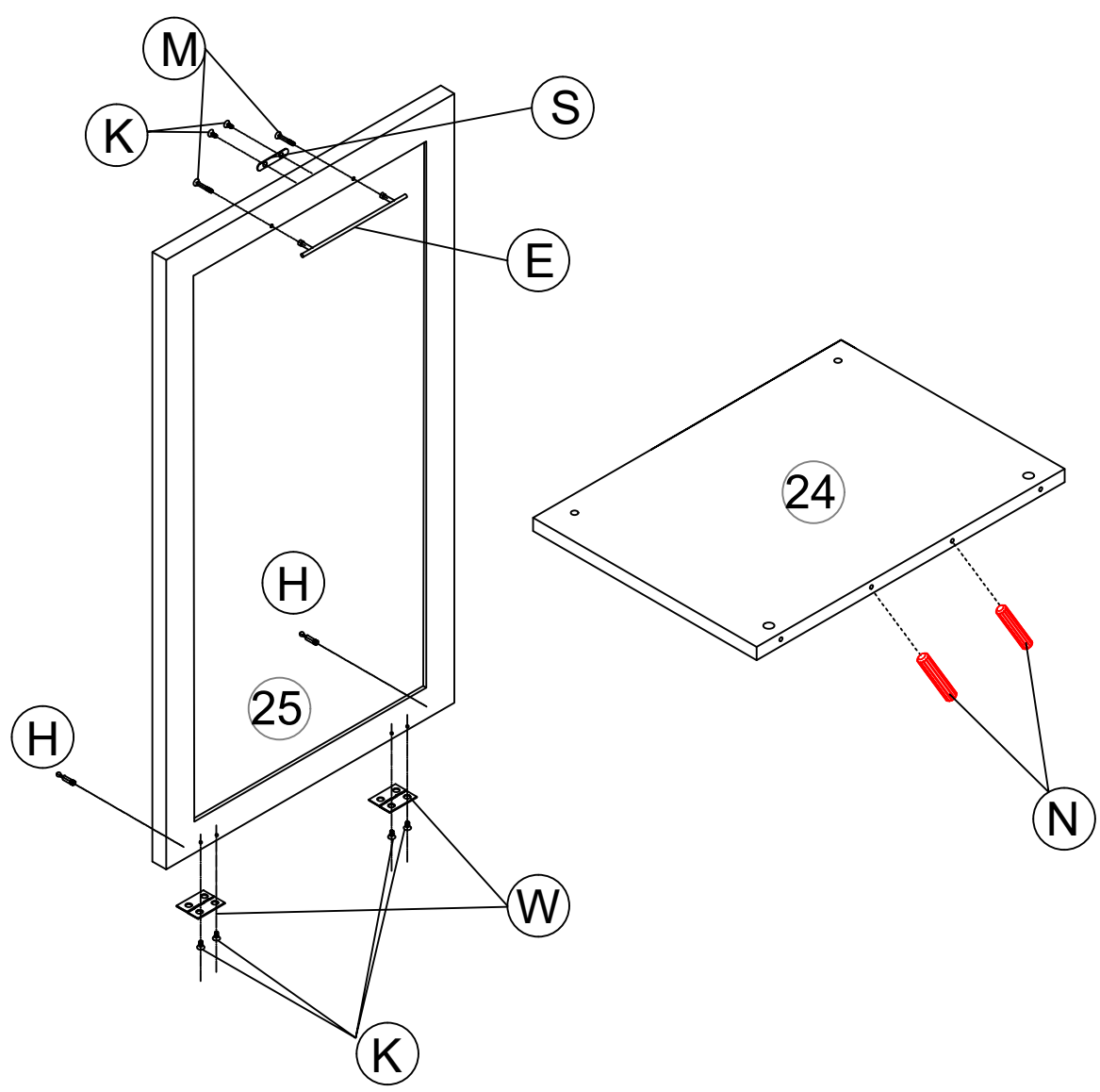
⑩ 1pc

⑪ 11pcs

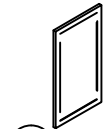


# 20

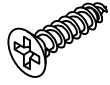
- ②5 1pc
- ①E 1pc
- ①H 2pcs
- ①K 6pcs
- ①M 2pcs
- ①S 1pc
- ①W 2pcs
- ①N 2pcs
- ②4 1pc



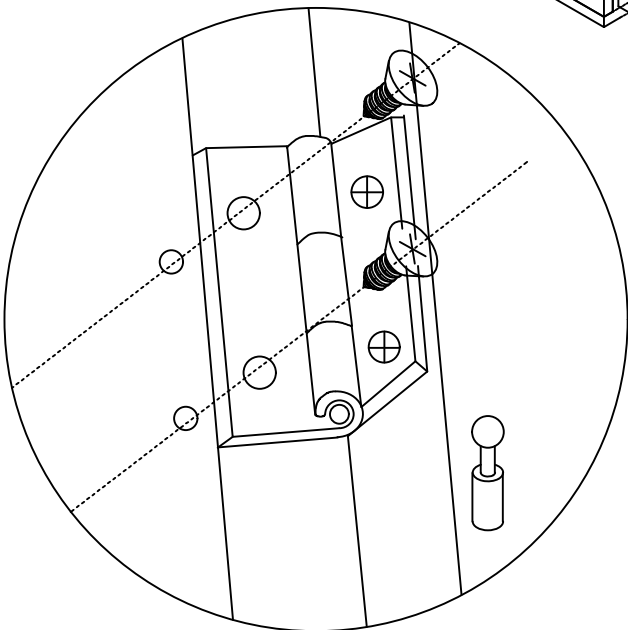
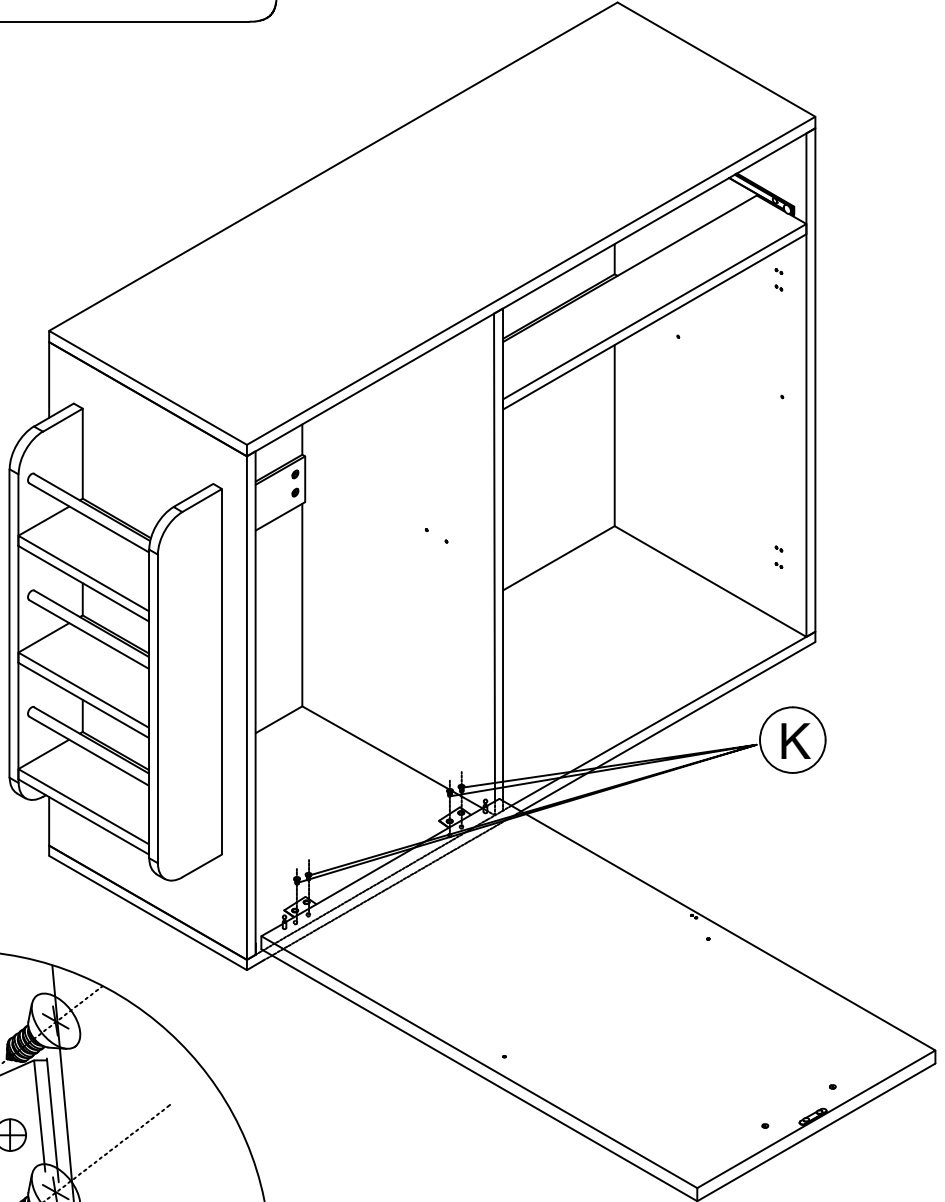
**21**



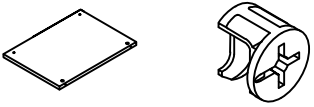
25 1pcs



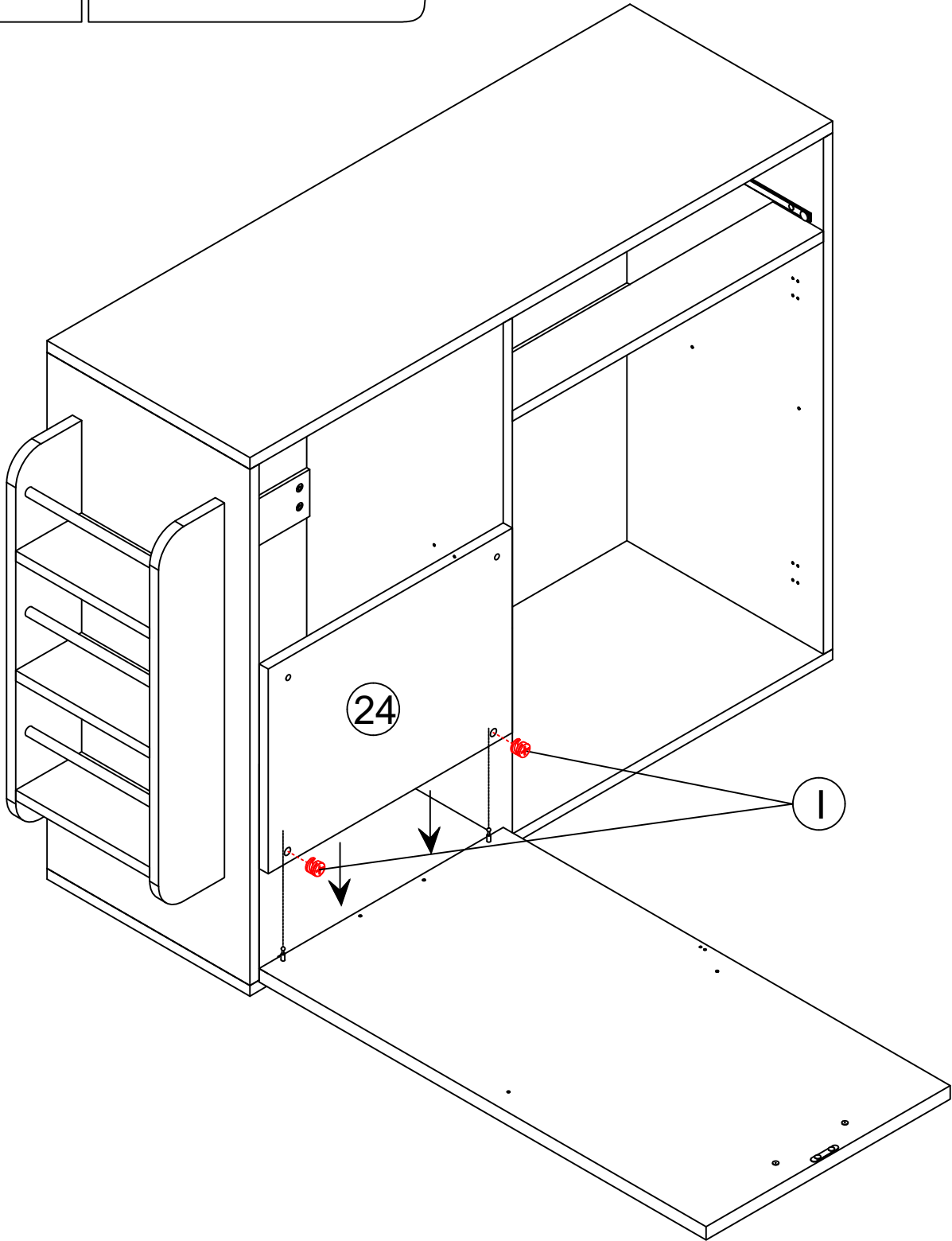
K 4pcs



**22**



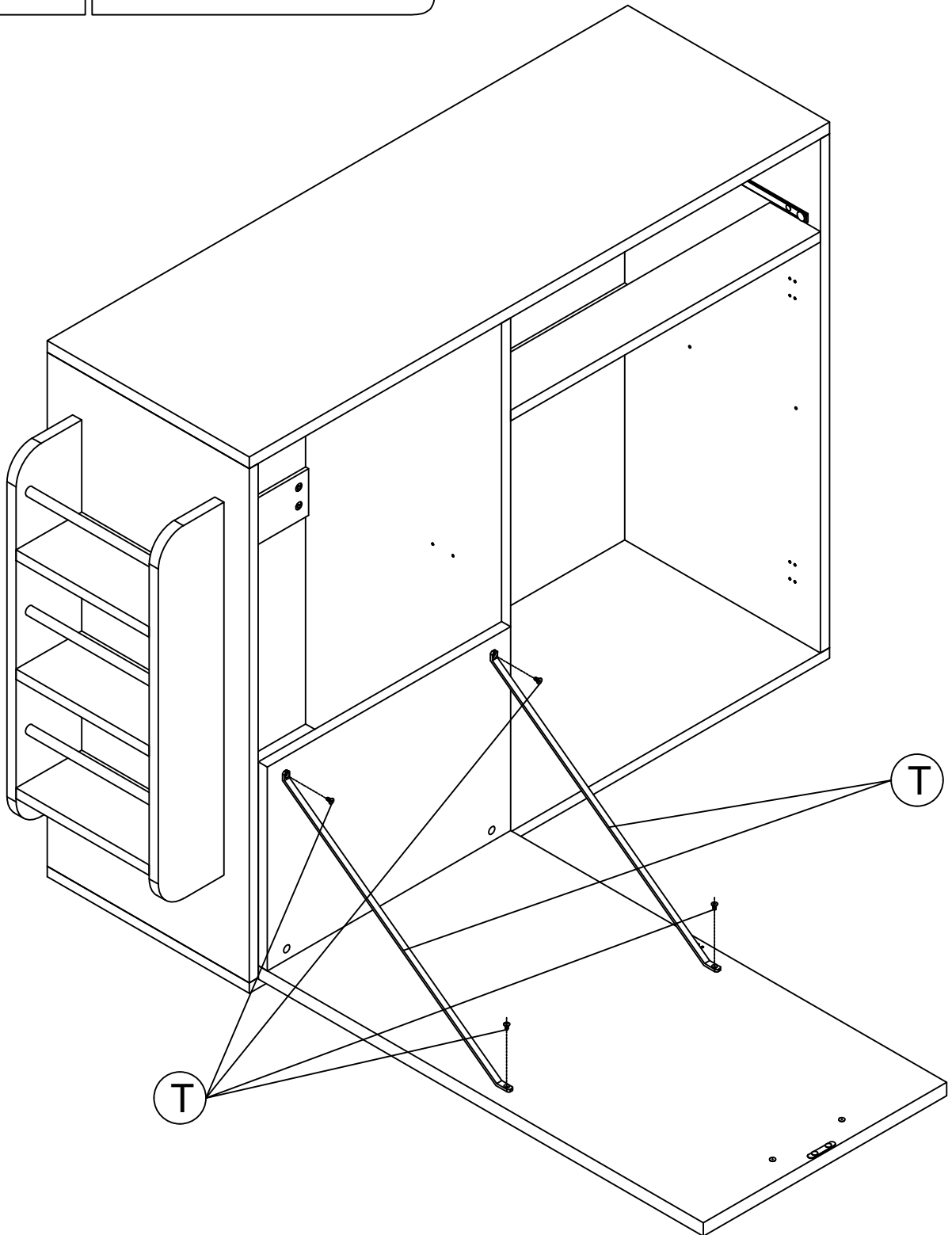
②④ 1pcs    ① 2pcs



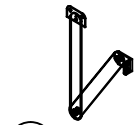
**23**

Ⓑ 2pcs

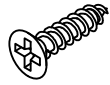
Ⓙ 4pcs



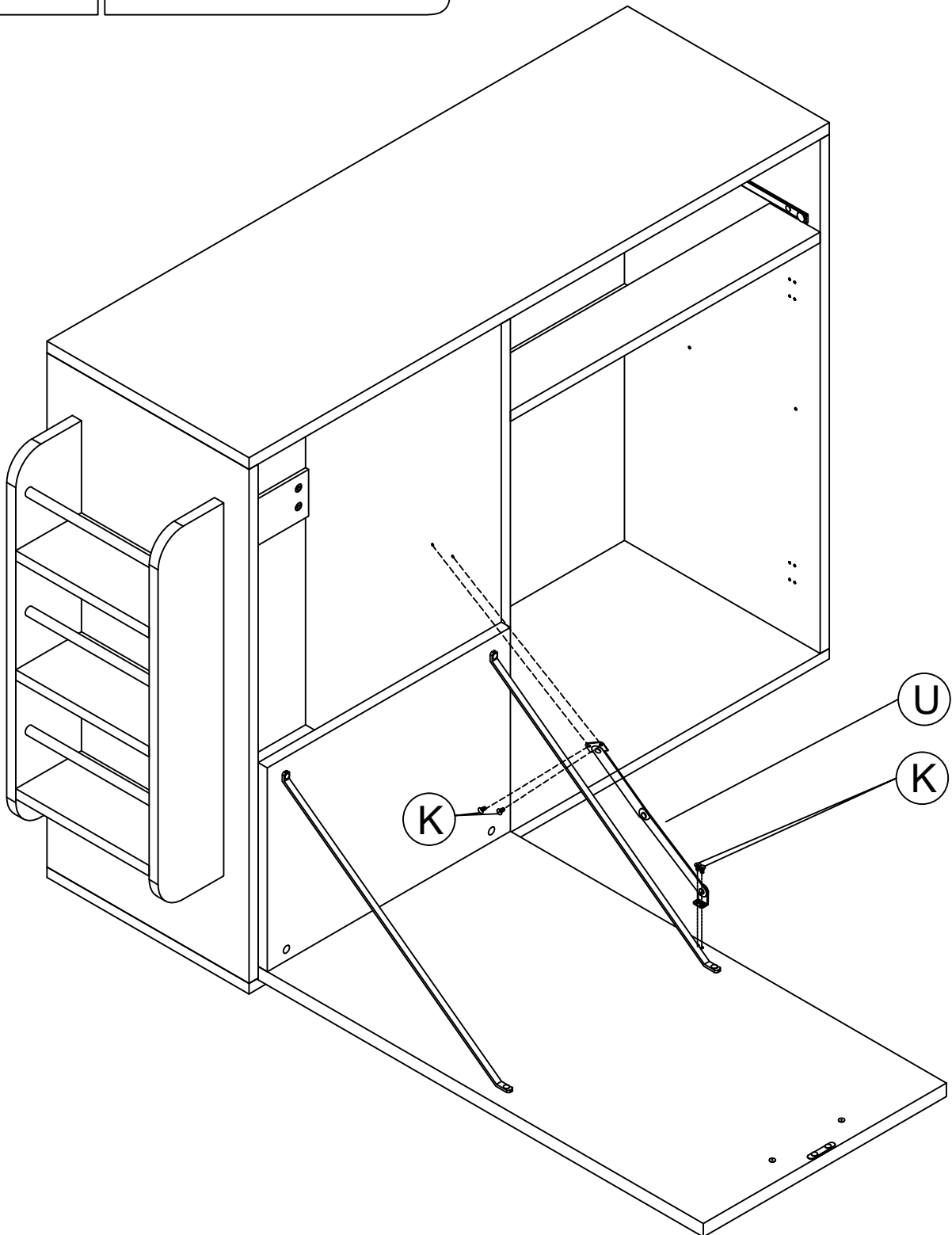
**24**



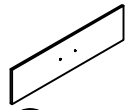
U 10pcs



K 4pcs



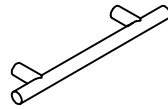
# 25



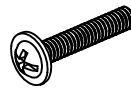
20 1pc



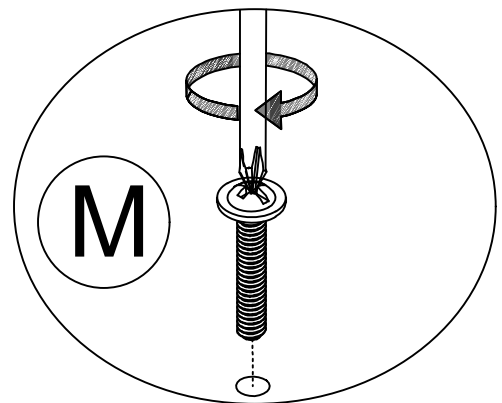
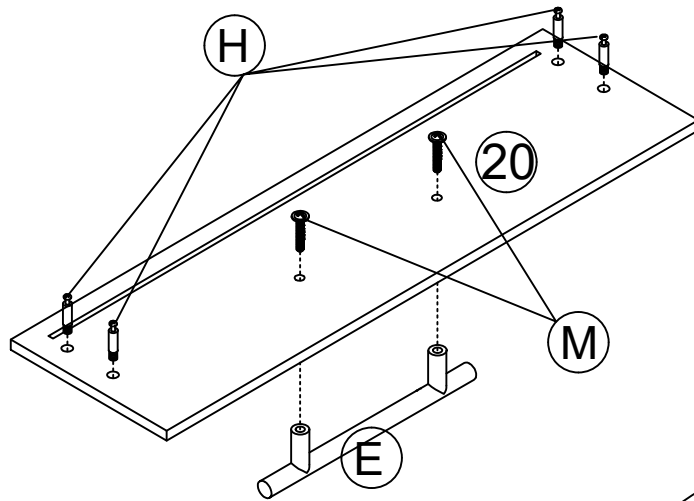
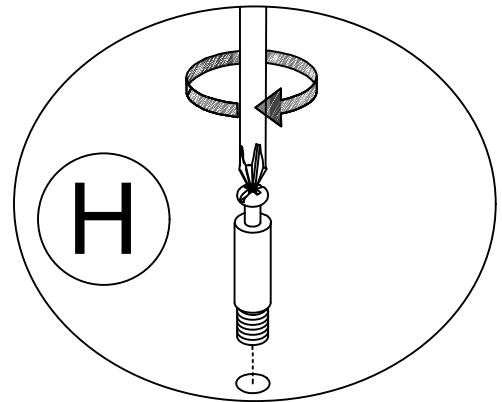
H 4pcs



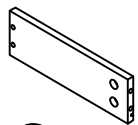
E 1pcs



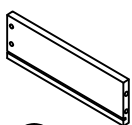
M 2pcs



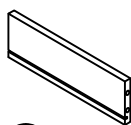
**26**



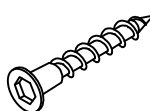
⑱ 1pc



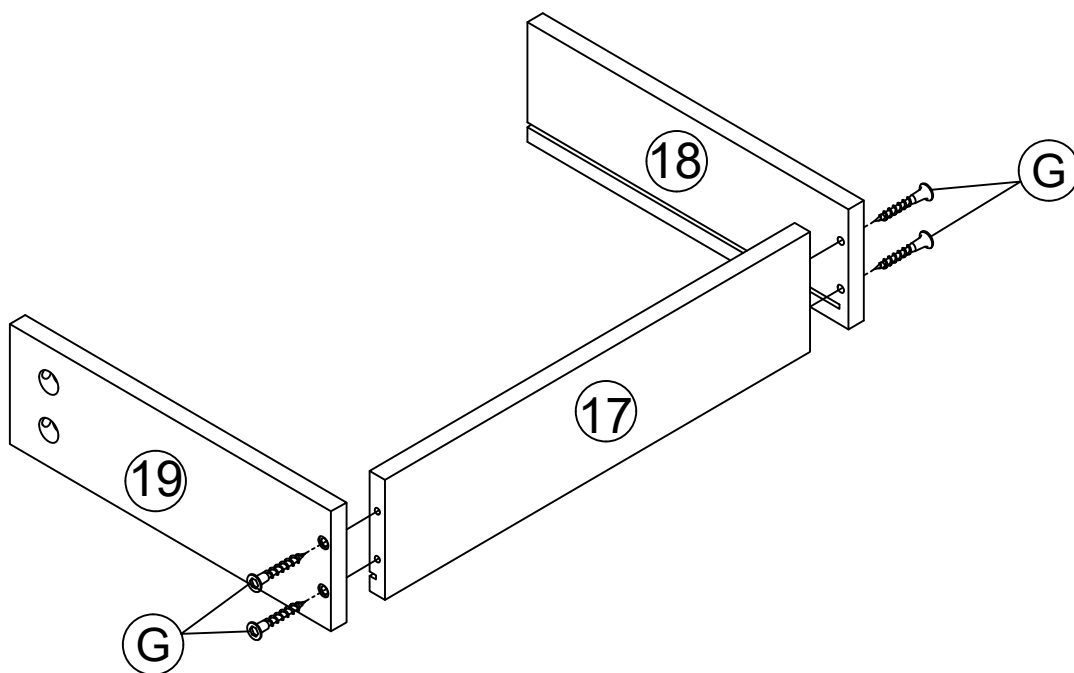
⑲ 1pc



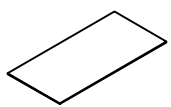
⑰ 1pc

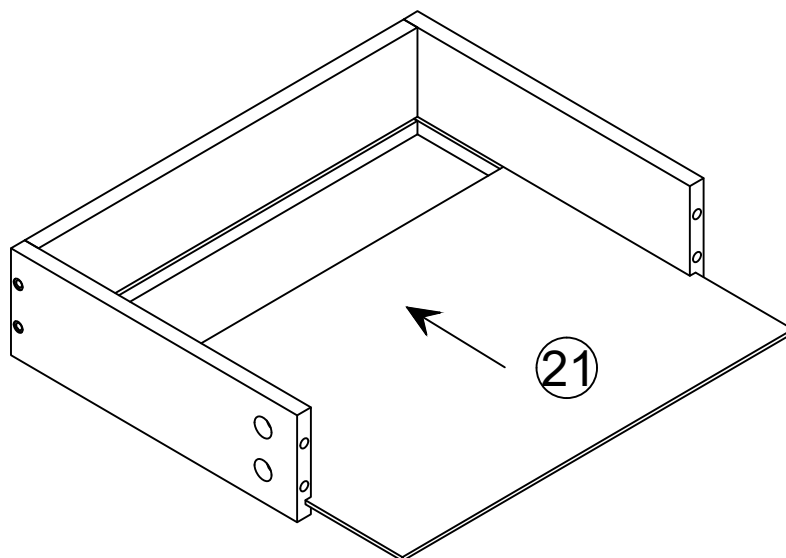


Ⓒ 4pcs



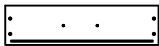
---


<b>27</b>	 ②1 1pc
-----------	---

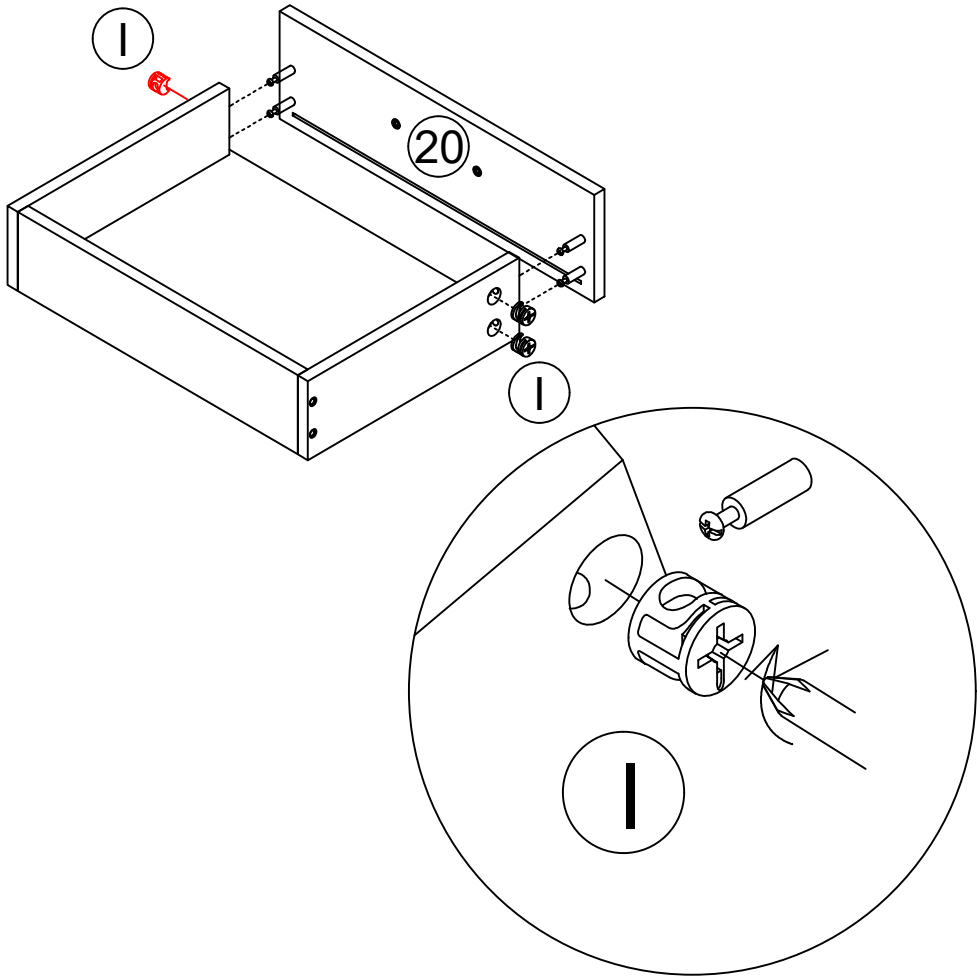


---

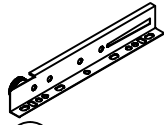
**28**

 **20** 4pcs

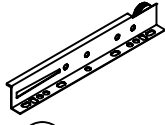
 **1** 4pcs



**29**



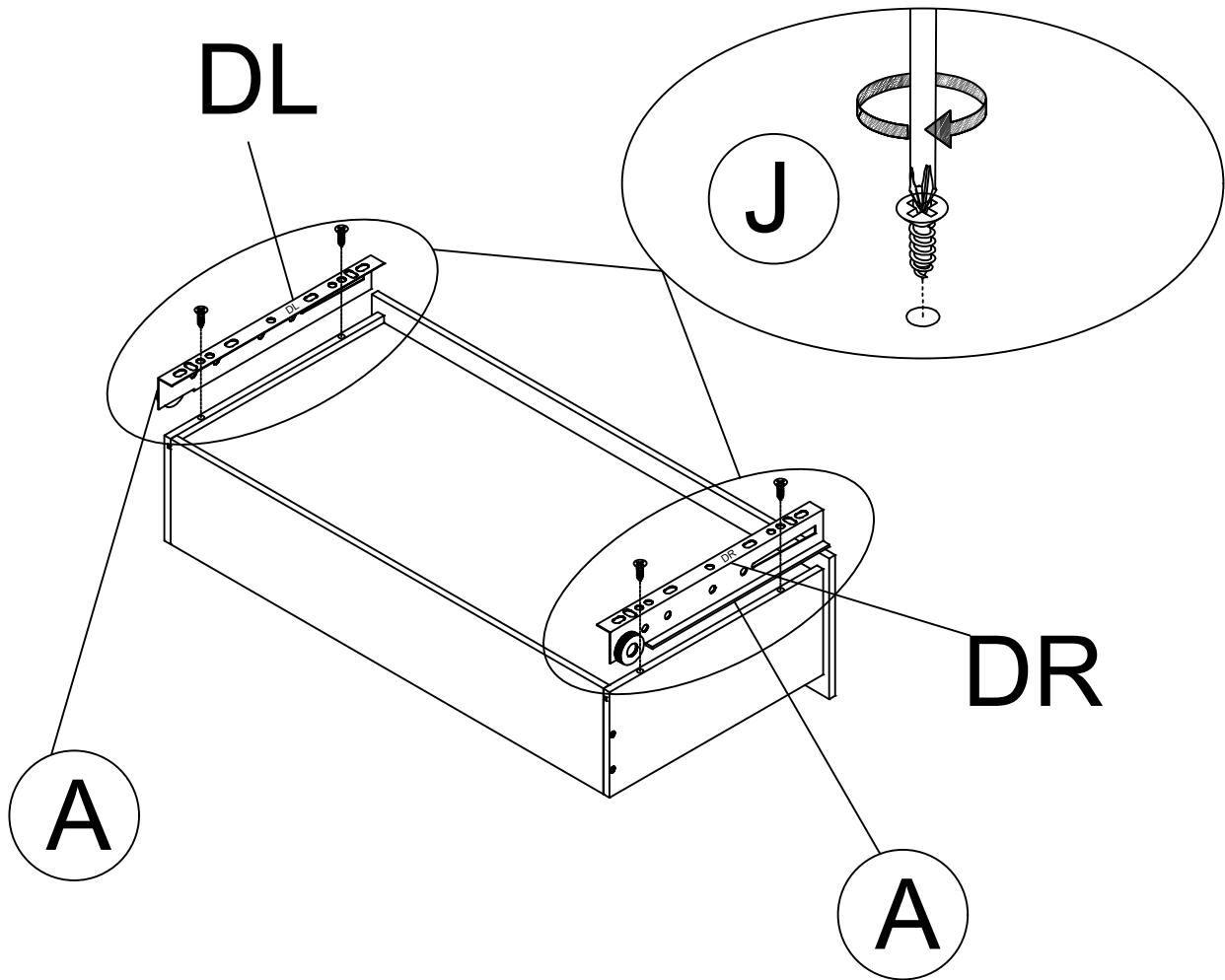
Ⓐ DR-1pc



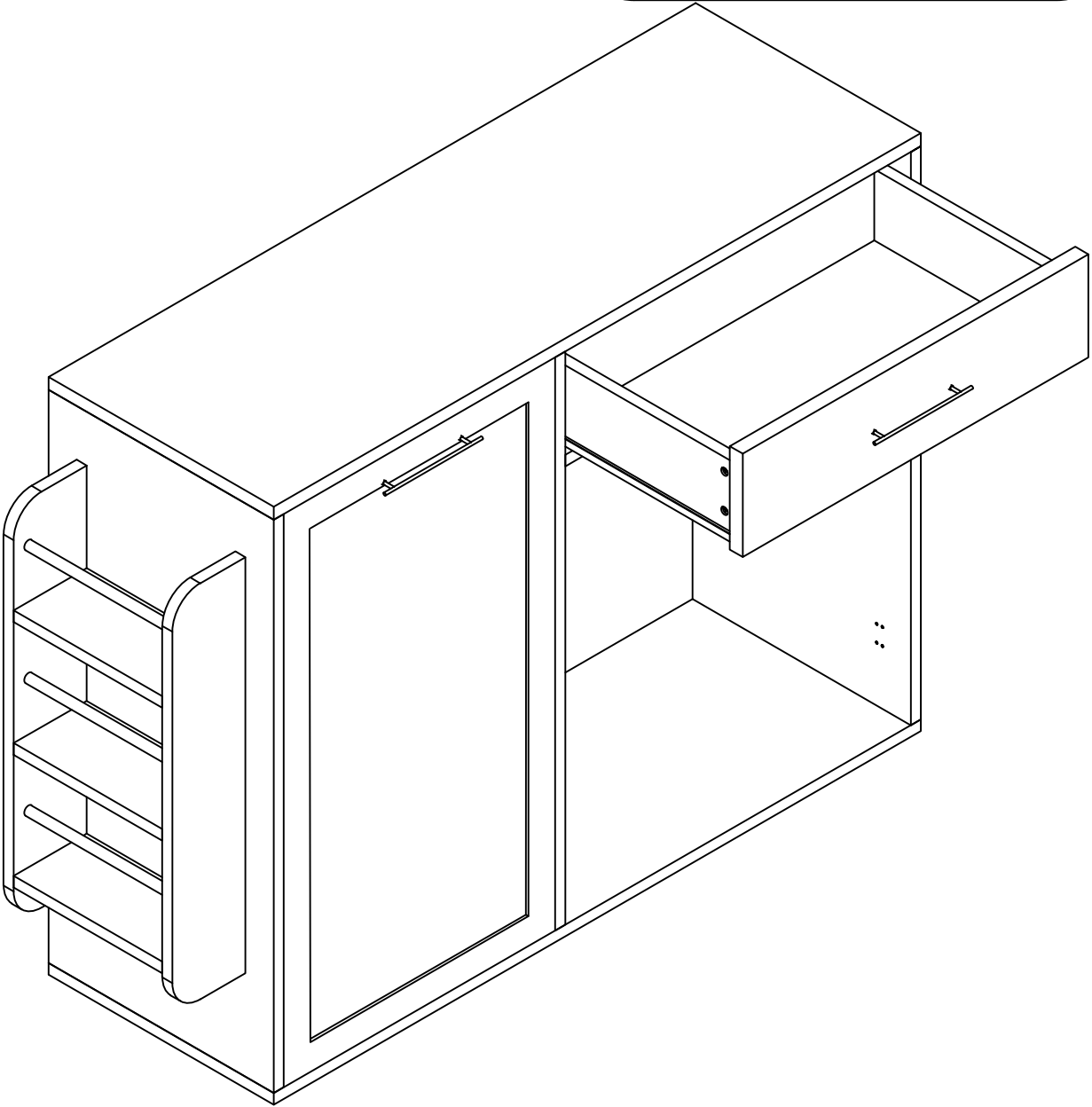
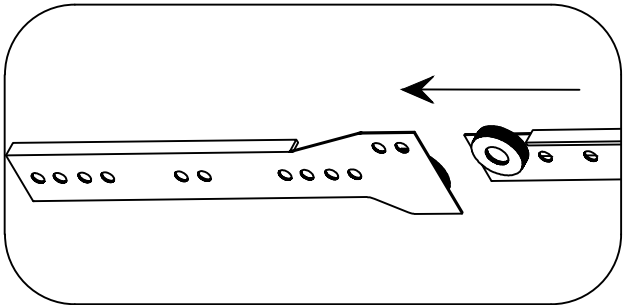
Ⓐ DL-1pc



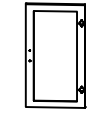
Ⓝ 4pcs



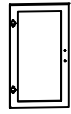
**30**



# 31



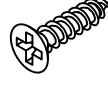
22 1pc



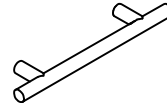
23 1pc



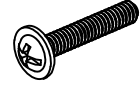
F 4pcs



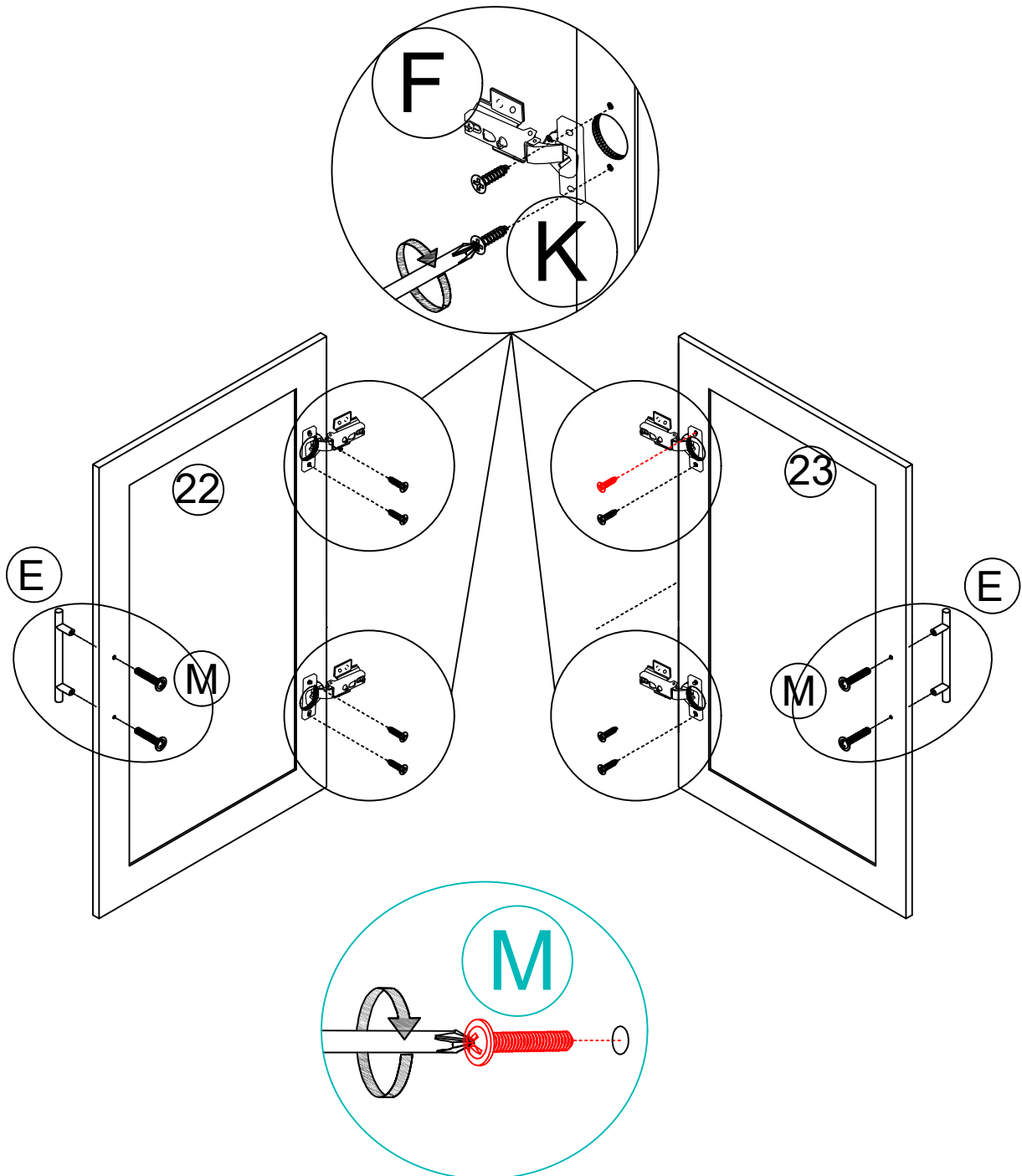
K 8pcs



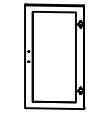
E 2pcs



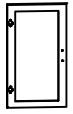
M 4pcs



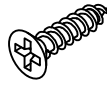
**32**



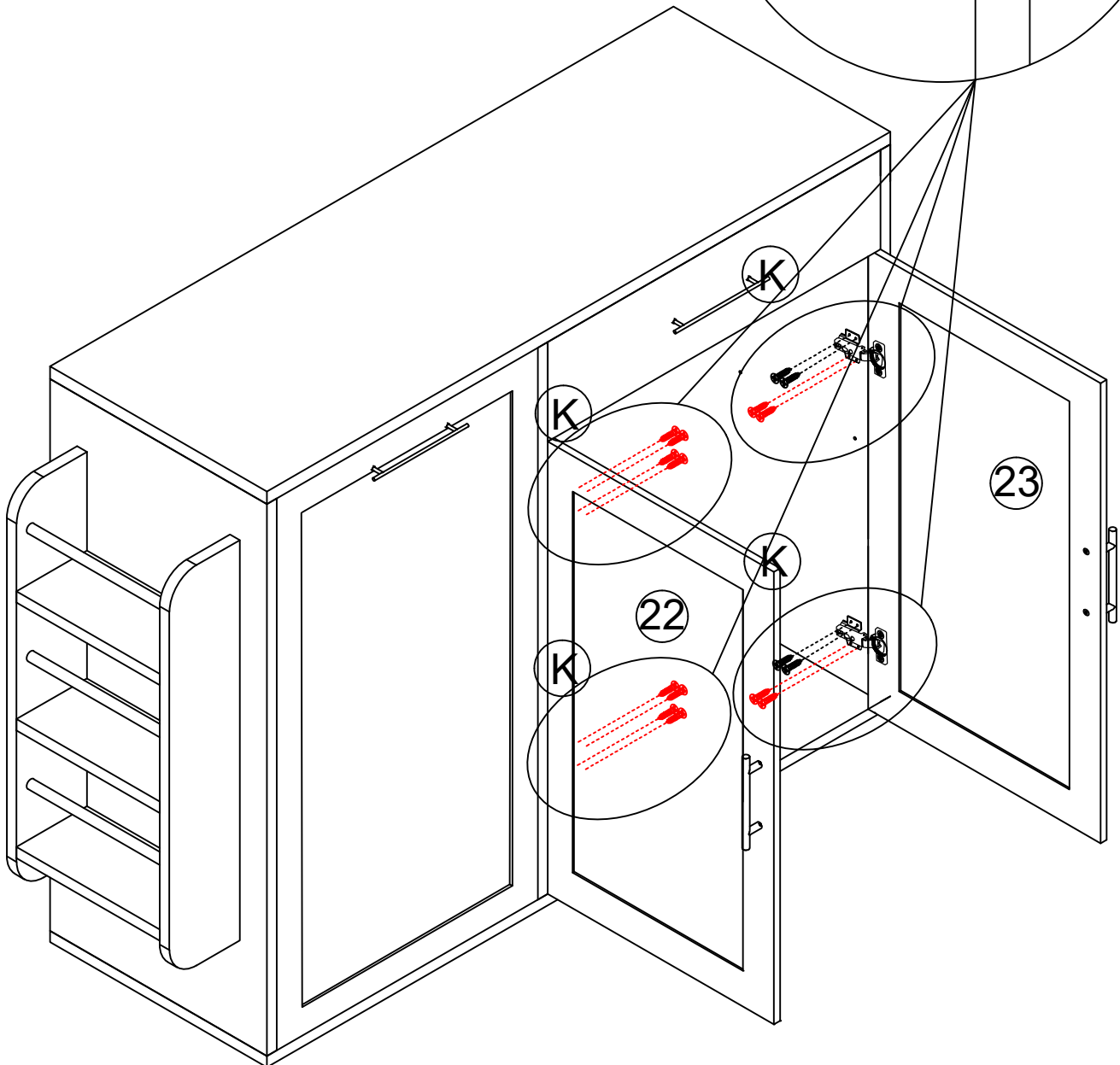
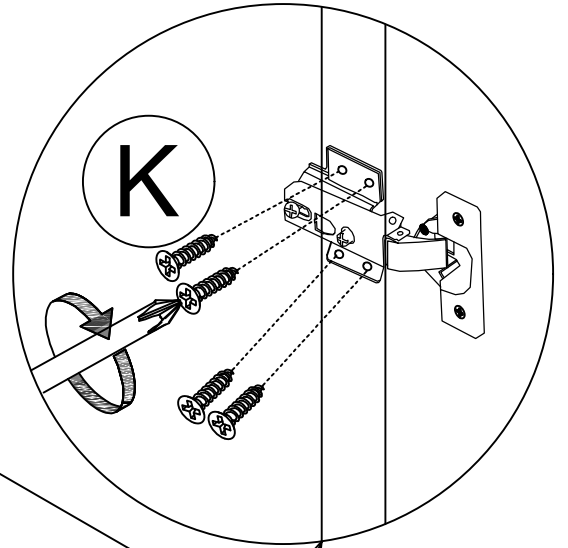
22 1pc



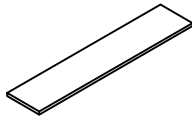
23 1pc



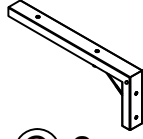
K 16pcs



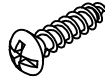
**33**



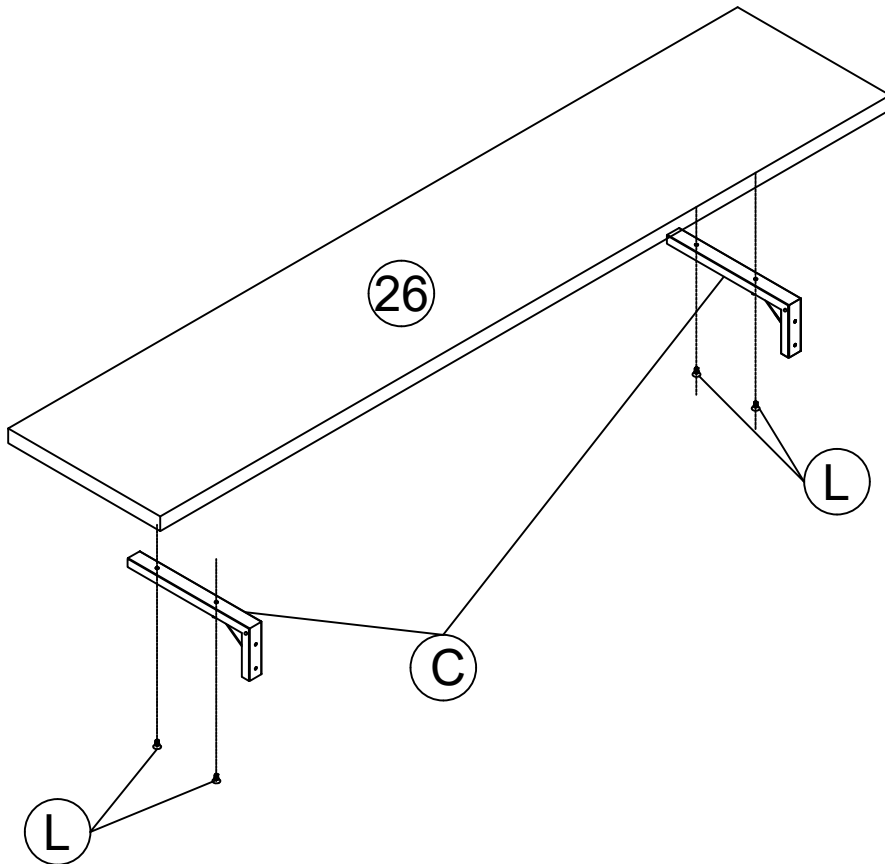
②6 1pcs



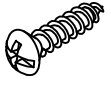
①C 2pcs



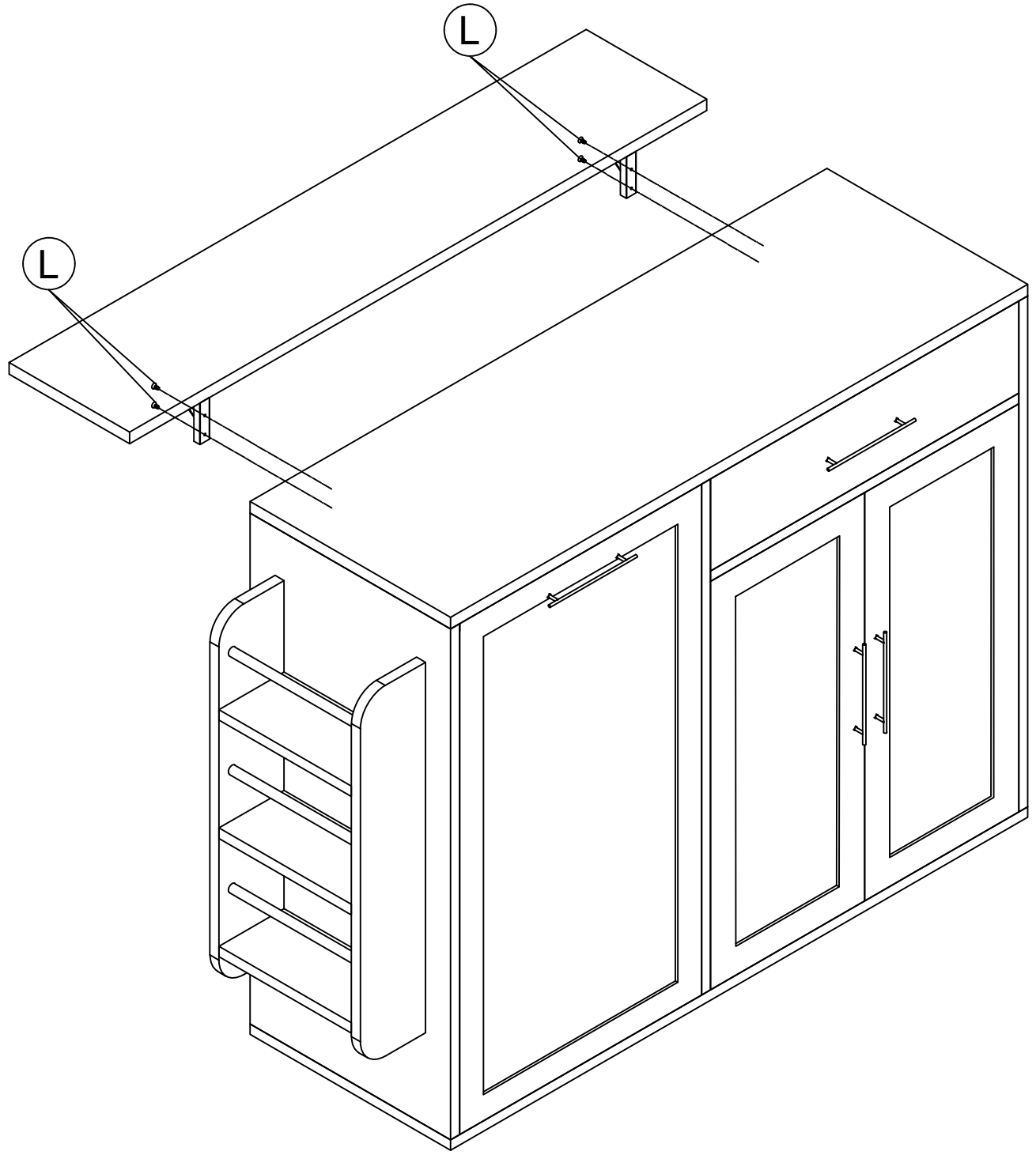
①L 4pcs



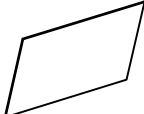
**34**



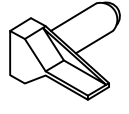
Ⓛ 4pcs



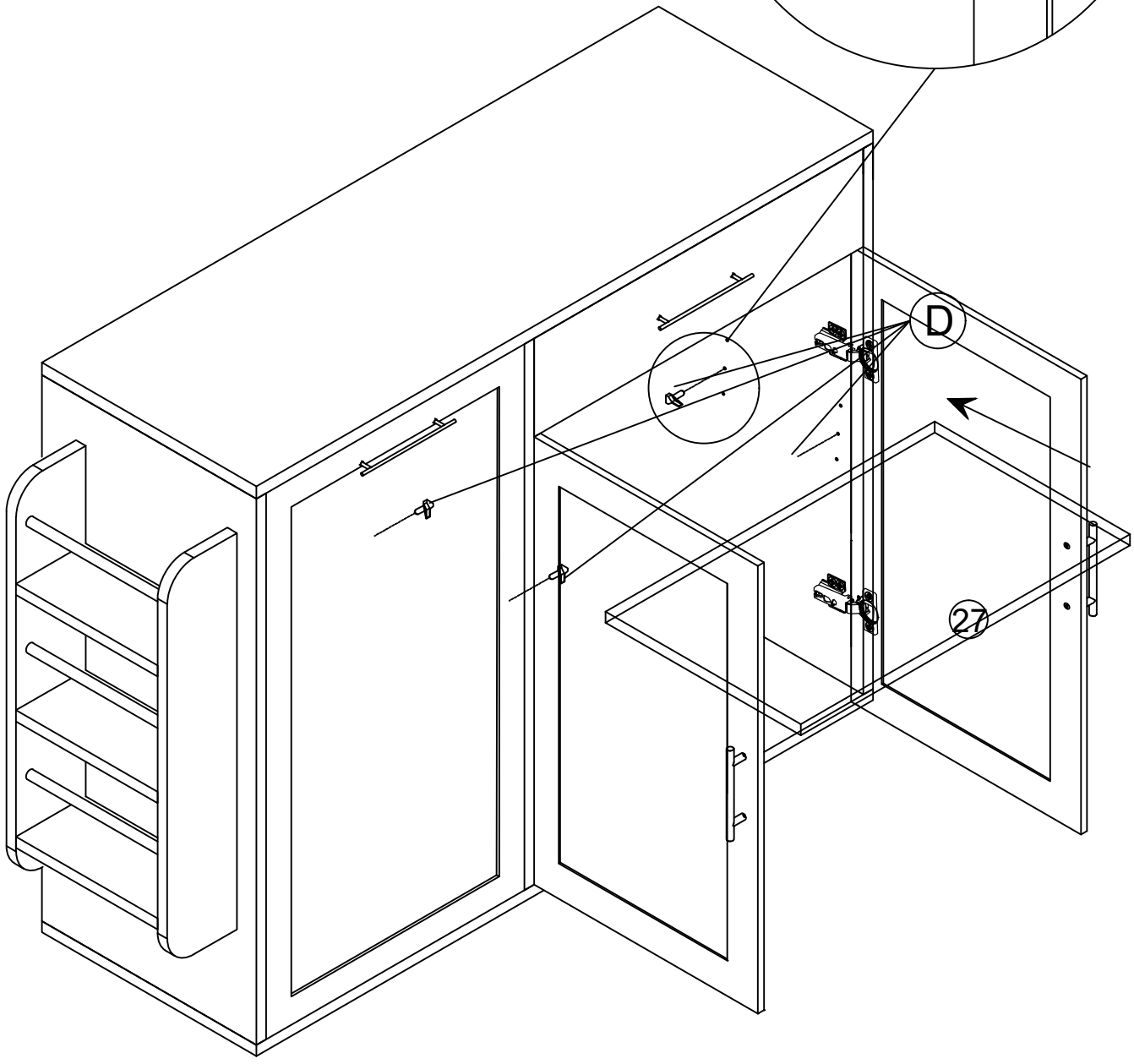
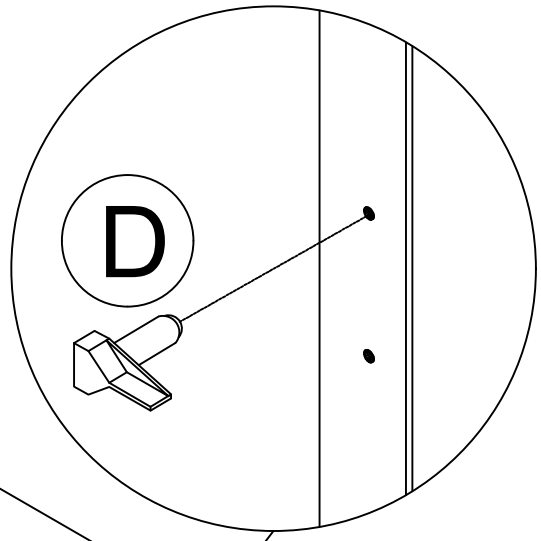
**35**



27 1pc

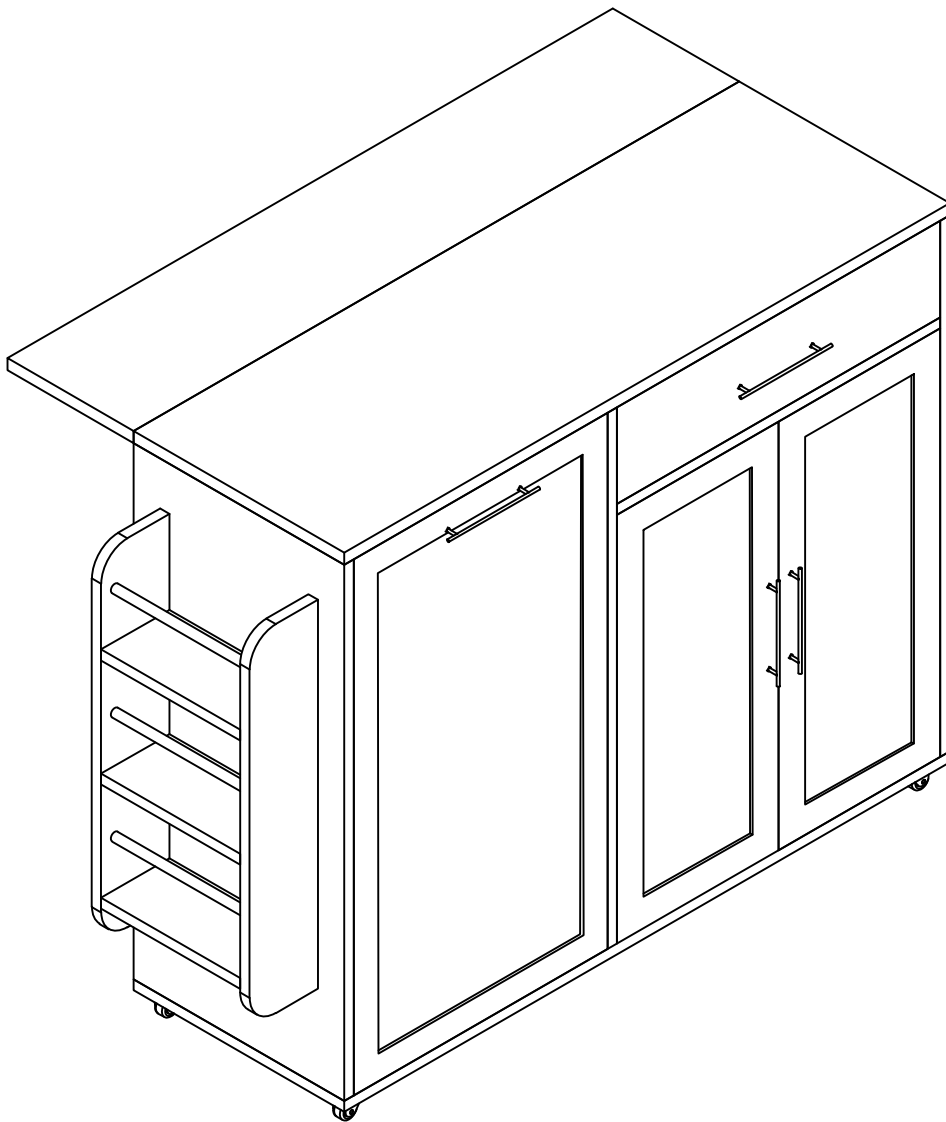


D 4pcs



---

**36**



Installation Completed