

CARE AND MAINTENANCE

Spot clean using a mild water-free solvent. Only a professional cleaner should undertake a complete overall cleaning.

The use of steam or water-based cleaners may cause excessive shrinking or staining.

NOTICE

* Please make sure that you have all parts indicated before you begin assembly of this item

* This item should be assembled on a soft surface to prevent scratching the finish during assembly

* This item may require periodic tightening

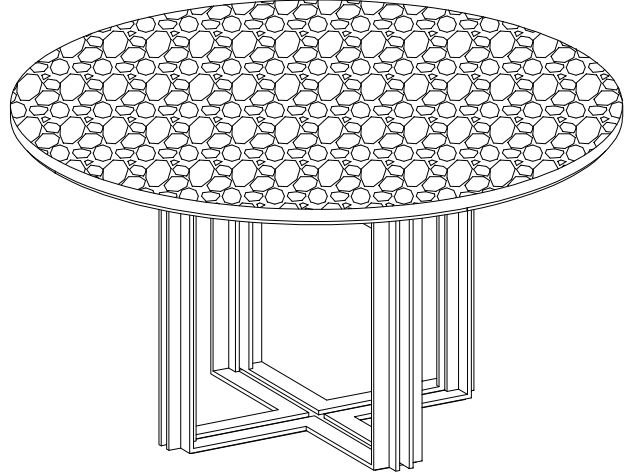
Part List and Hardware List

Piece	Description	QTY	Carton call
A	Top table	1	1 of 2
B	LEG FRAME	1	2 of 2
HW1	BOLT	16	2 of 2
HW2	SPRING WASHER	16	2 of 2
HW3	FLAT WASHER	16	2 of 2
HW4	ALLEN KEY	1	2 of 2

SAFAVIEH C O U T U R E

Model #: SFV7219

Product Dimensions: Ø53 7/8" x 30"H



WARNING



Weight capacity: 305lbs

Warning: DO NOT STAND ON TABLE

Warning: DO NOT OVER TORQUE BOLTS

PREPARETION




Before beginning assembly of product, make sure all parts are present. Compare parts with package contents list and hardware contents list.

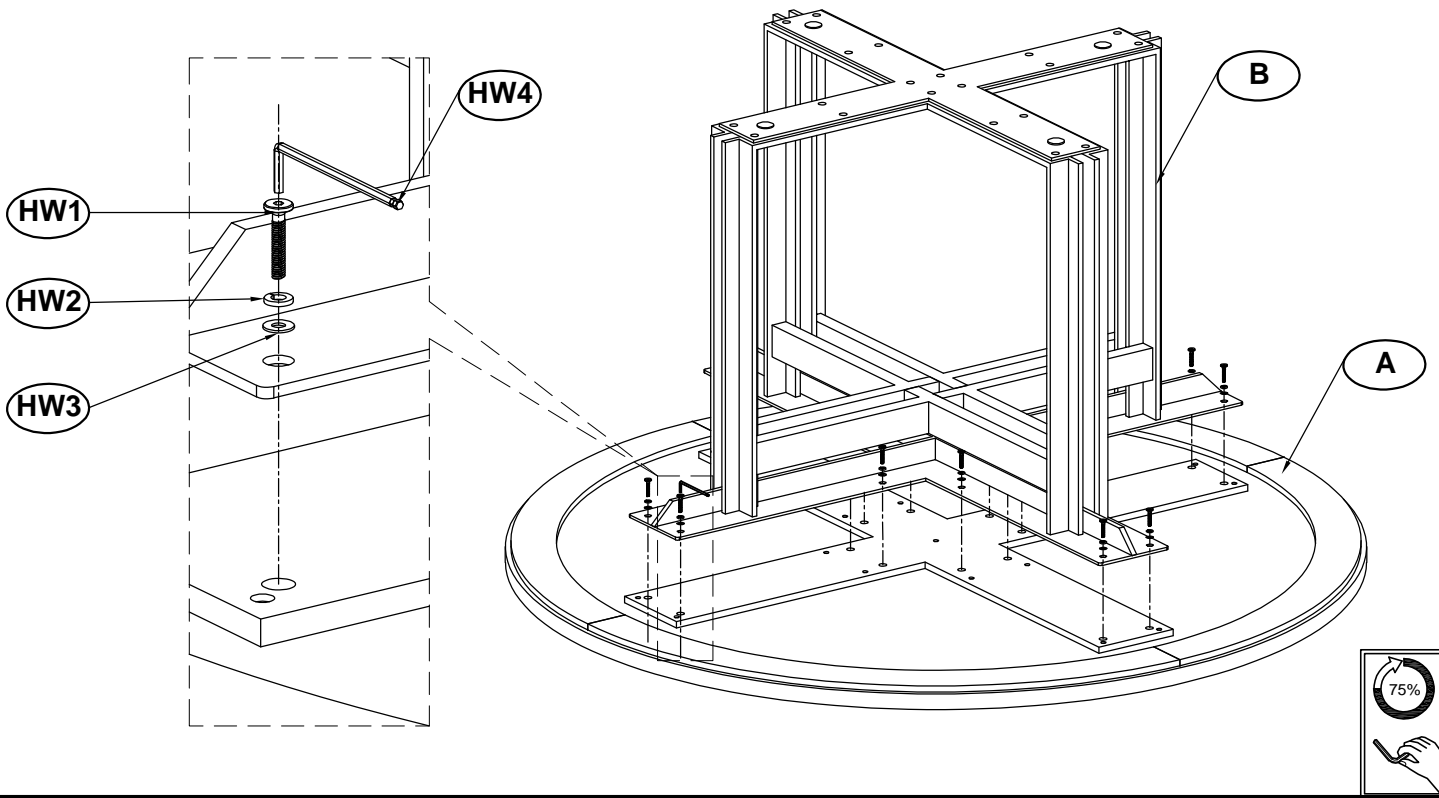
If any part is missing or damaged, do not attempt to assemble the product.

Estimated Assembly Time: 10 minutes

Tools Required for Assembly (Not included): Phillips Screwdriver

STEP 1

HW1x16	
HW2x16	
HW3x16	



STEP 2

