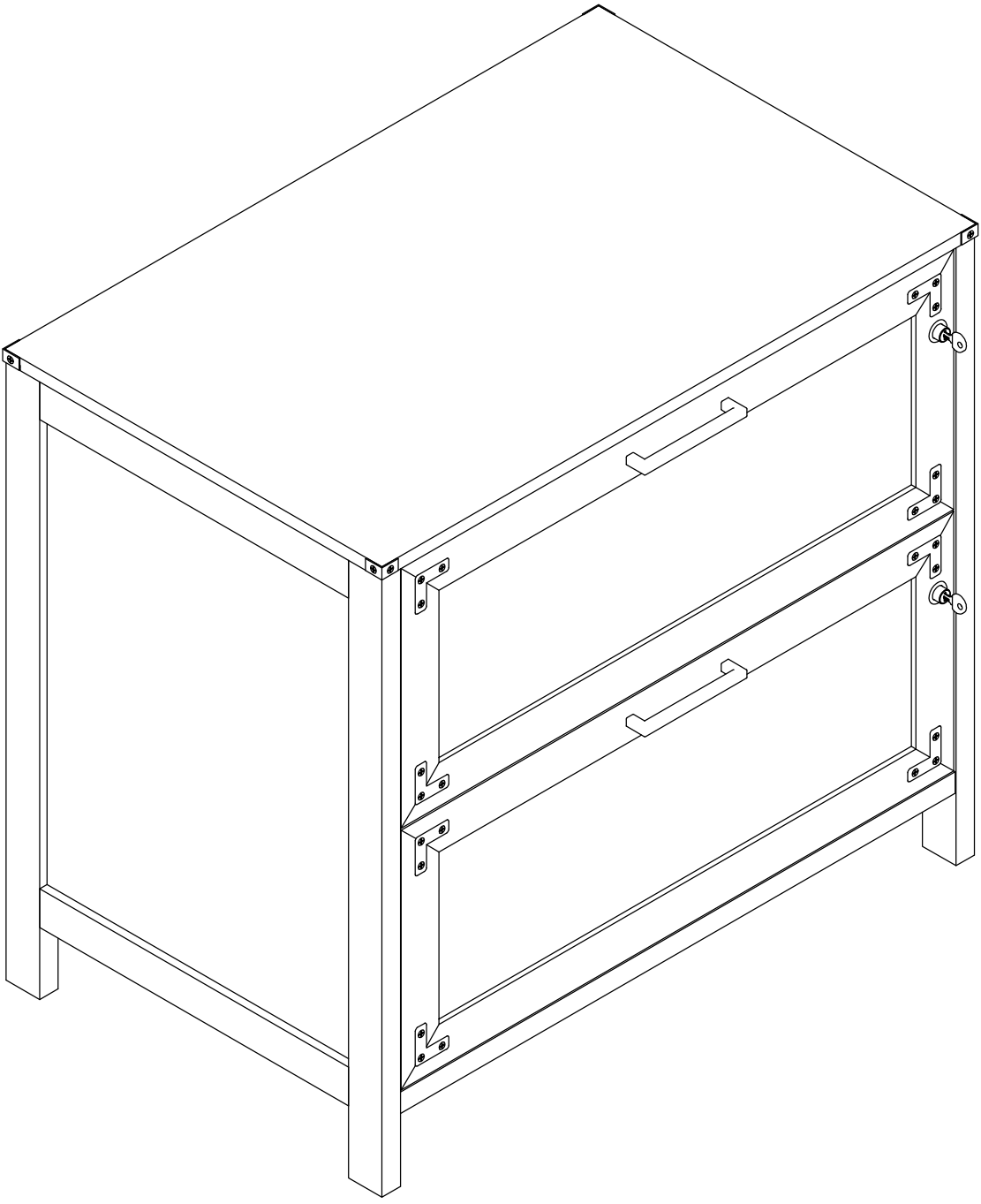
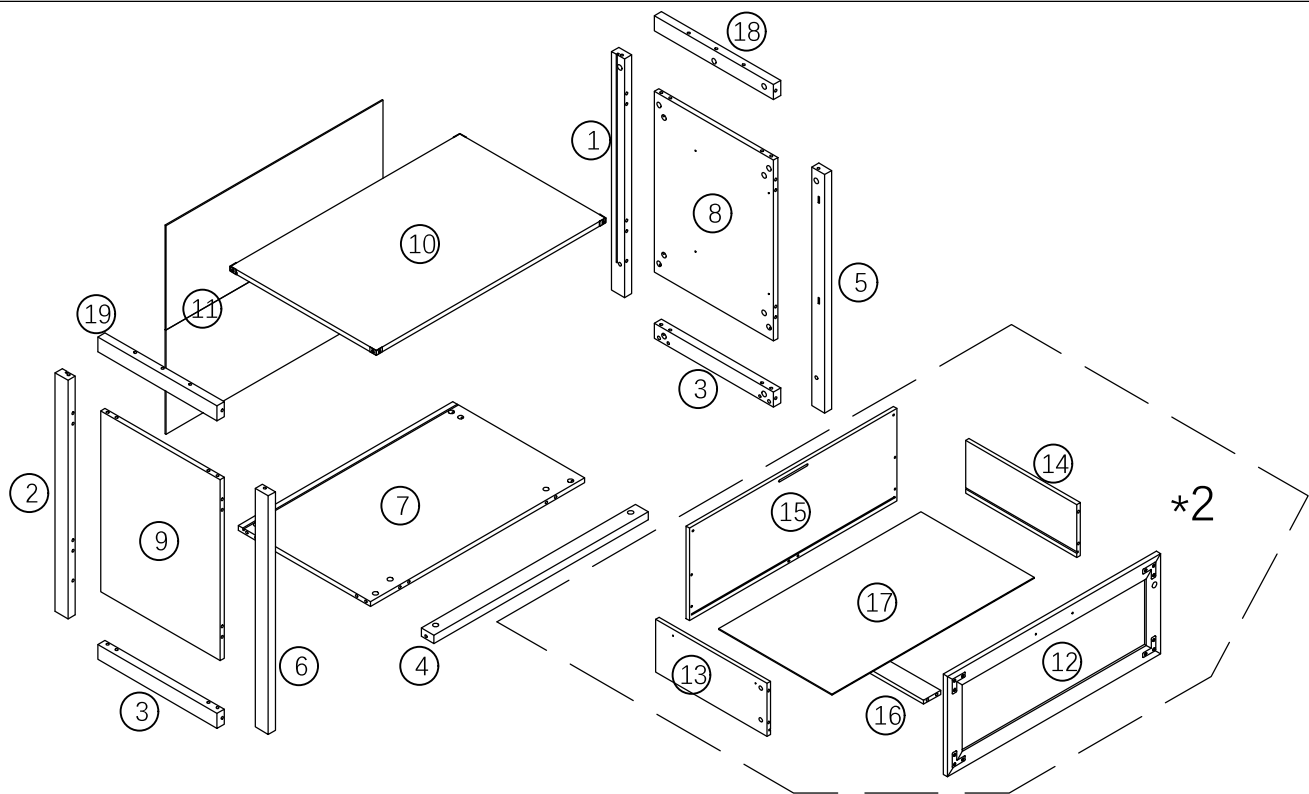
















Installation & Assembly





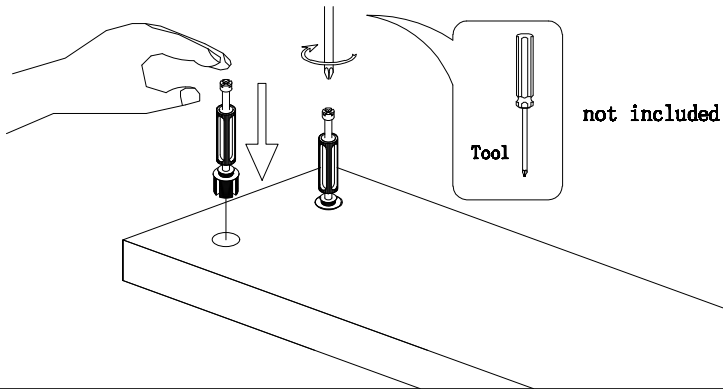
A  A1 A2 38PCS	B  B1 B2 12PCS	C 8*40  26PCS	D 6*30  4PCS	E 3.5*12  16PCS	F  F1 F2 4PCS	G 4*18  4PCS	H  2PCS	I  2PCS	J  8PCS	K 5*399  8PCS
L 3.5*35  8PCS	M 3*12  8PCS	N 3.5*16  8PCS								



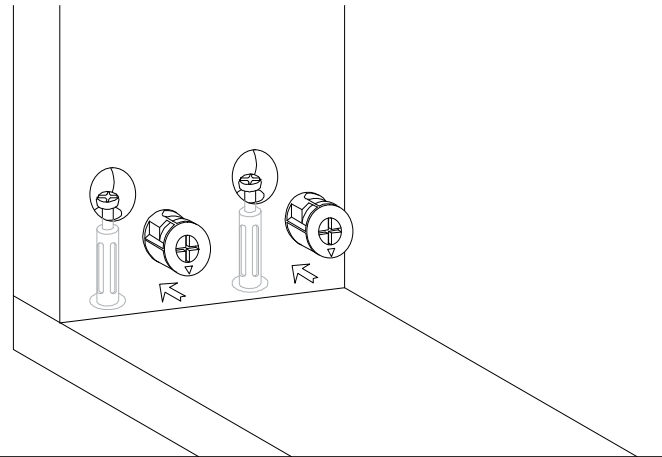
Hardware installation demonstration

NOTE: Please make sure "A" hardware tightened and can't be pulled out!

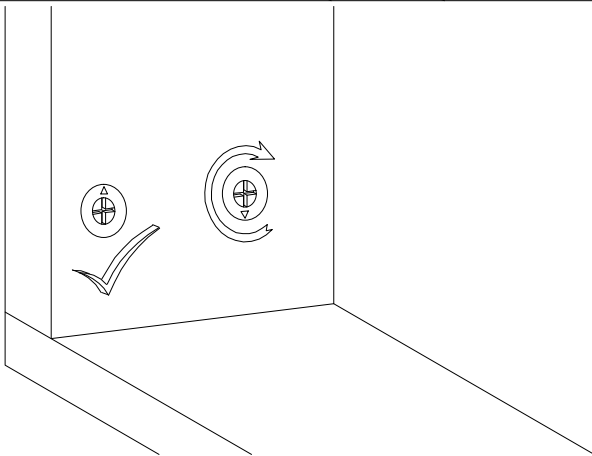
I



II



III

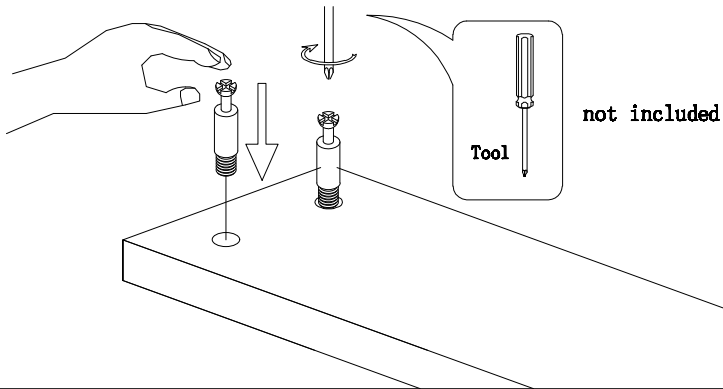




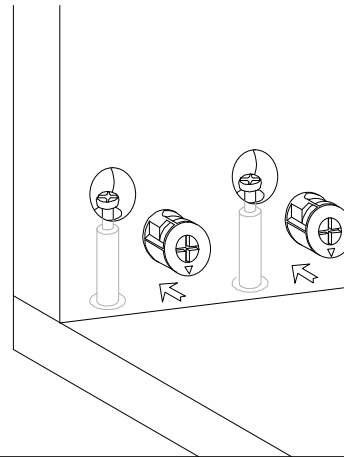
Hardware installation demonstration

NOTE: Please make sure "B" hardware tightened and can't be pulled out!

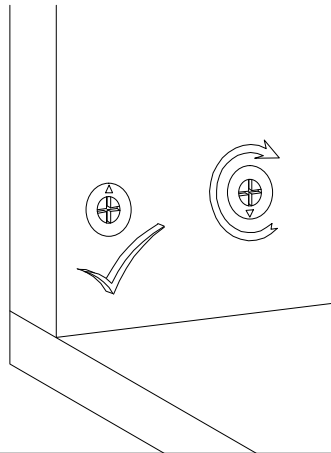
I

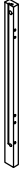

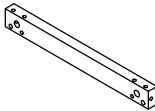
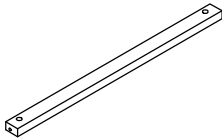

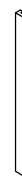
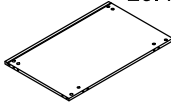

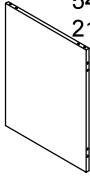
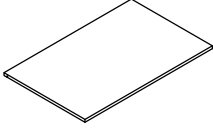
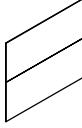
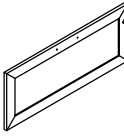
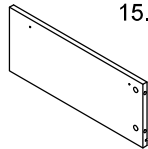
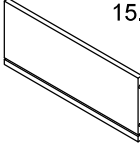
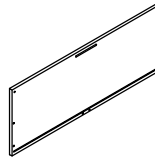
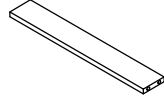
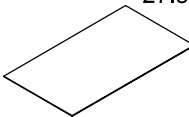
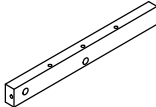


II

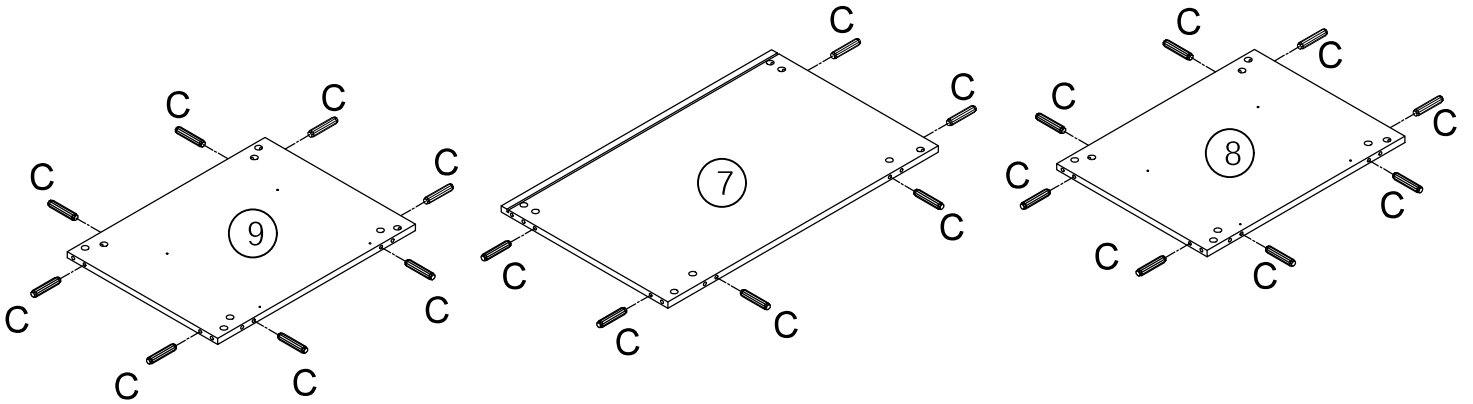


III



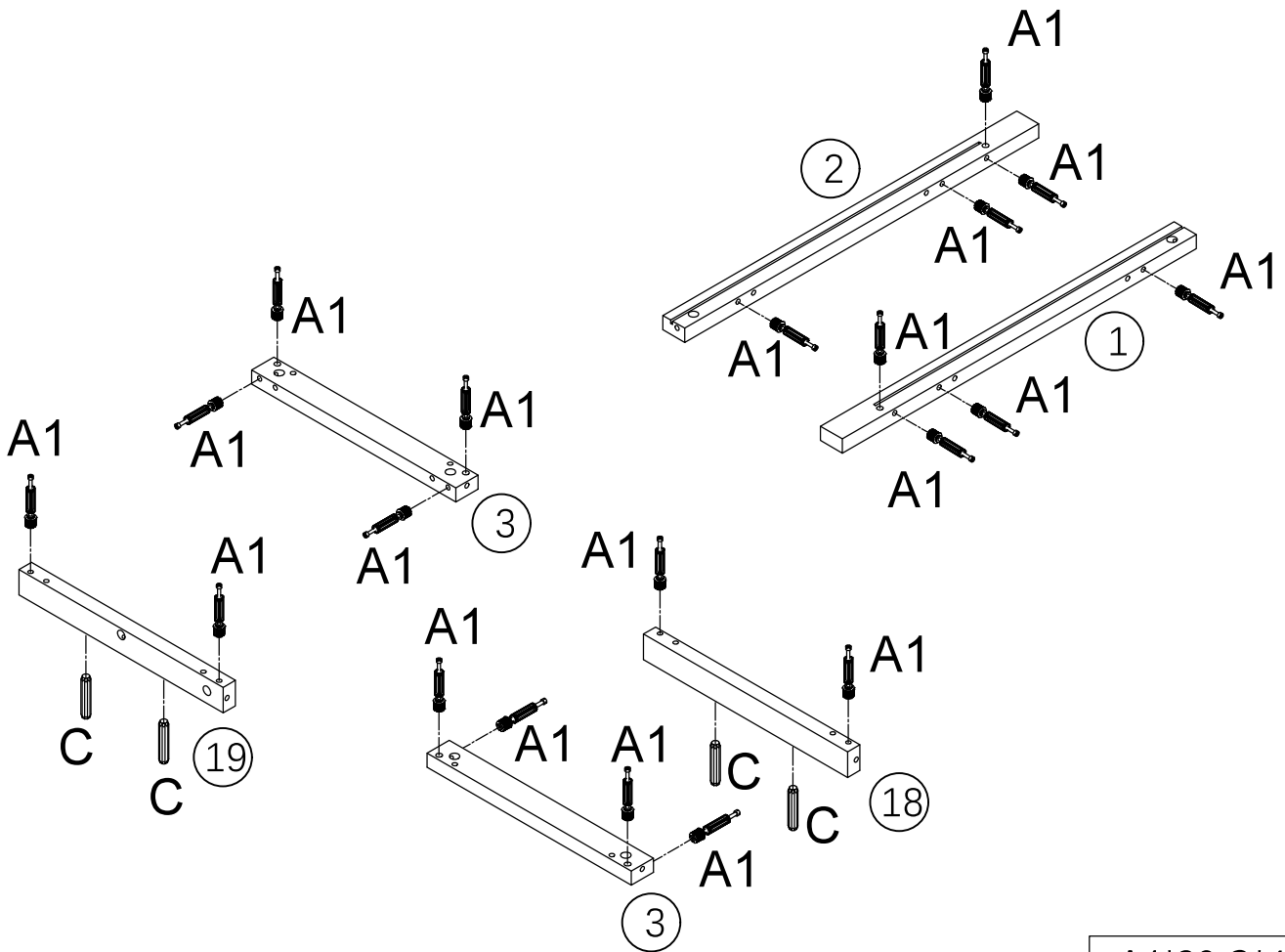
1	 721*45mm 28.4*1.8" 1pc	2	 721*45mm 28.4*1.8" 1pc	3	 416*45mm 16.4*1.8" 2pcs	4	 748*44mm 29.4*1.7" 1pc
5	 721*45mm 28.4*1.8" 1pc	6	 721*45mm 28.4*1.8" 1pc	7	 748*461mm 29.4*18.1" 1pc	8	 547*416mm 21.5*16.4" 1pc
9	 547*416mm 21.5*16.4" 1pc	10	 758*315.5mm 29.8*12.4" 1pc	11	 758*631mm 29.8*24.8" 1pc	12	 744*303mm 29.3*11.9" 2pcs
13	 388*160mm 15.3*6.3" 2pcs	14	 388*160mm 15.3*6.3" 2pcs	15	 724*280mm 28.5*11" 2pcs	16	 388*60mm 15.3*2.4" 2pcs
17	 706*396mm 27.8*15.6" 2pcs	18	 416*45mm 16.4*1.8" 1pc	19	 416*45mm 16.4*1.8" 1pc		

1



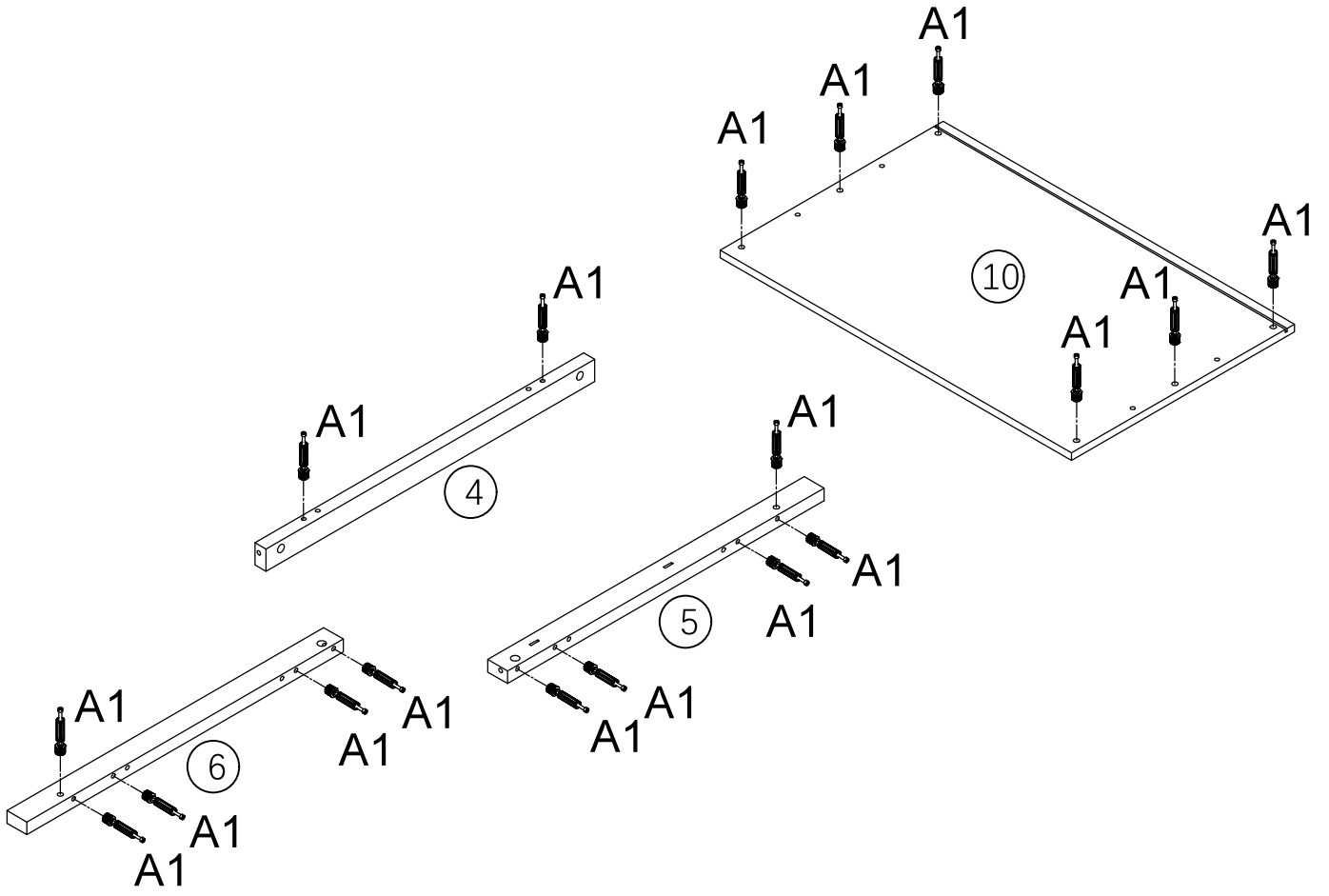
C*22

2



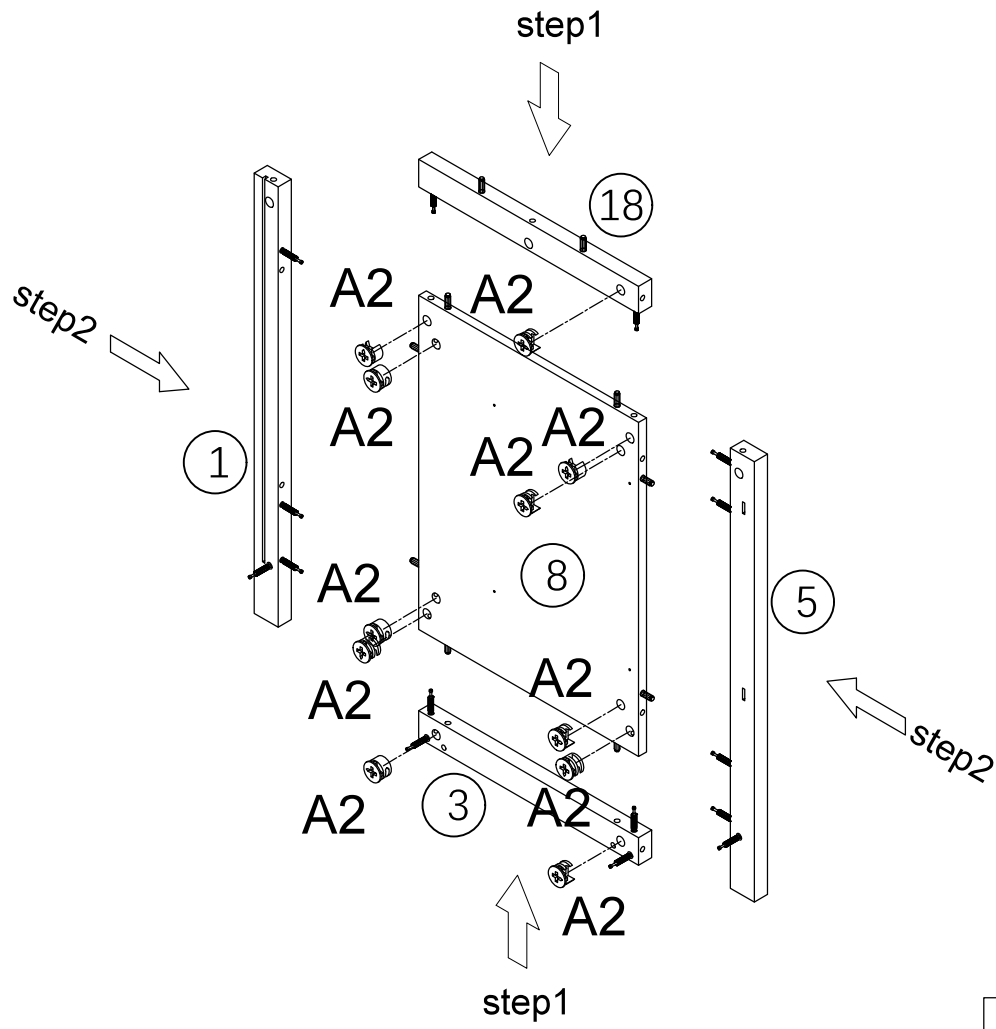
A1*20 C*4

3



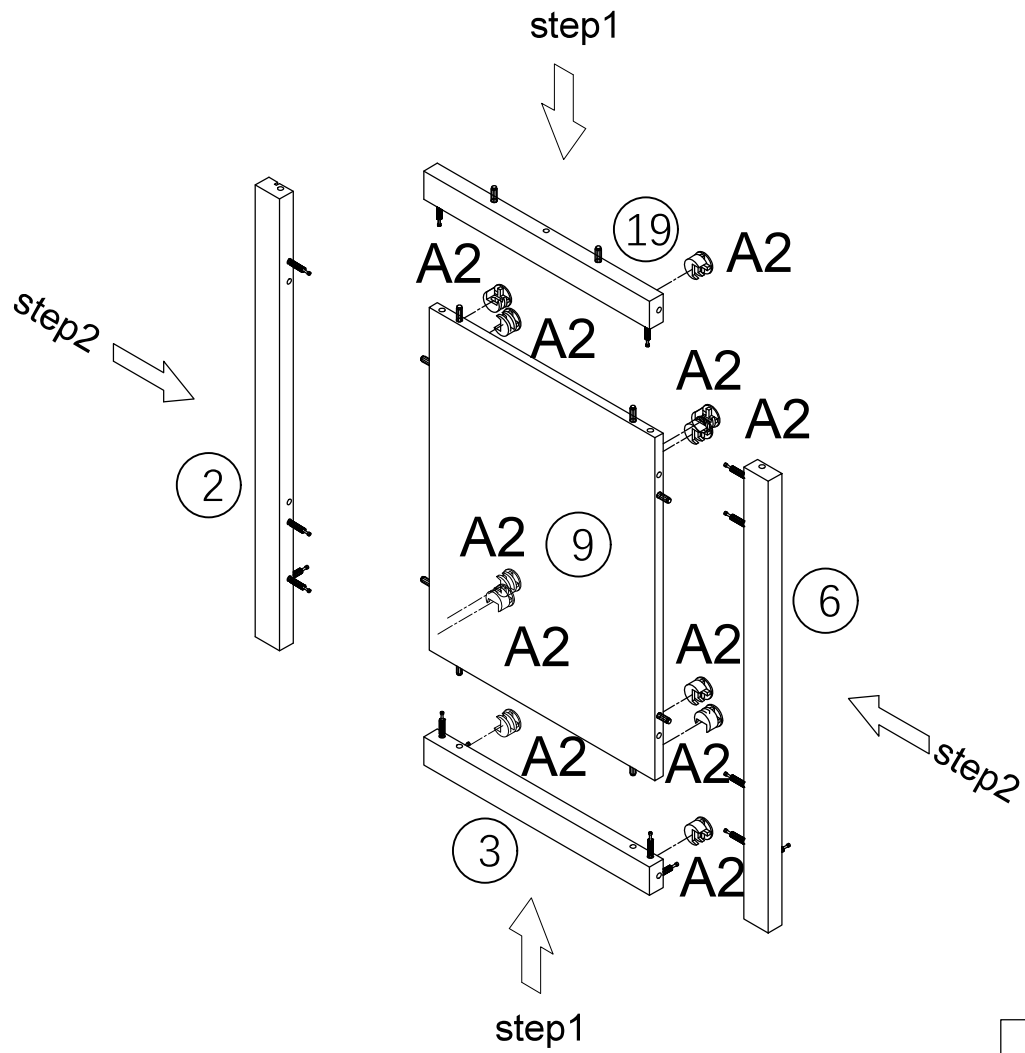
A1*18

4



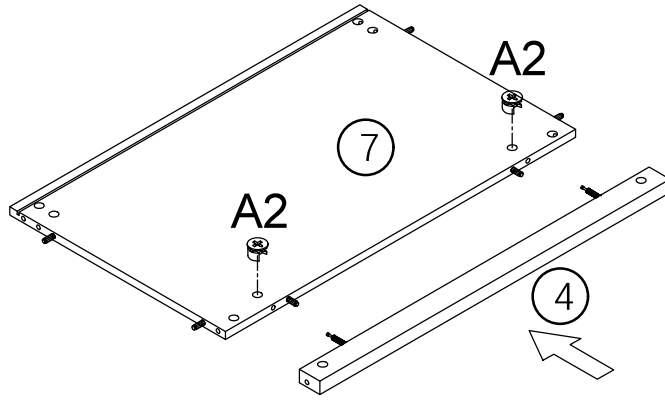
A2*11

5



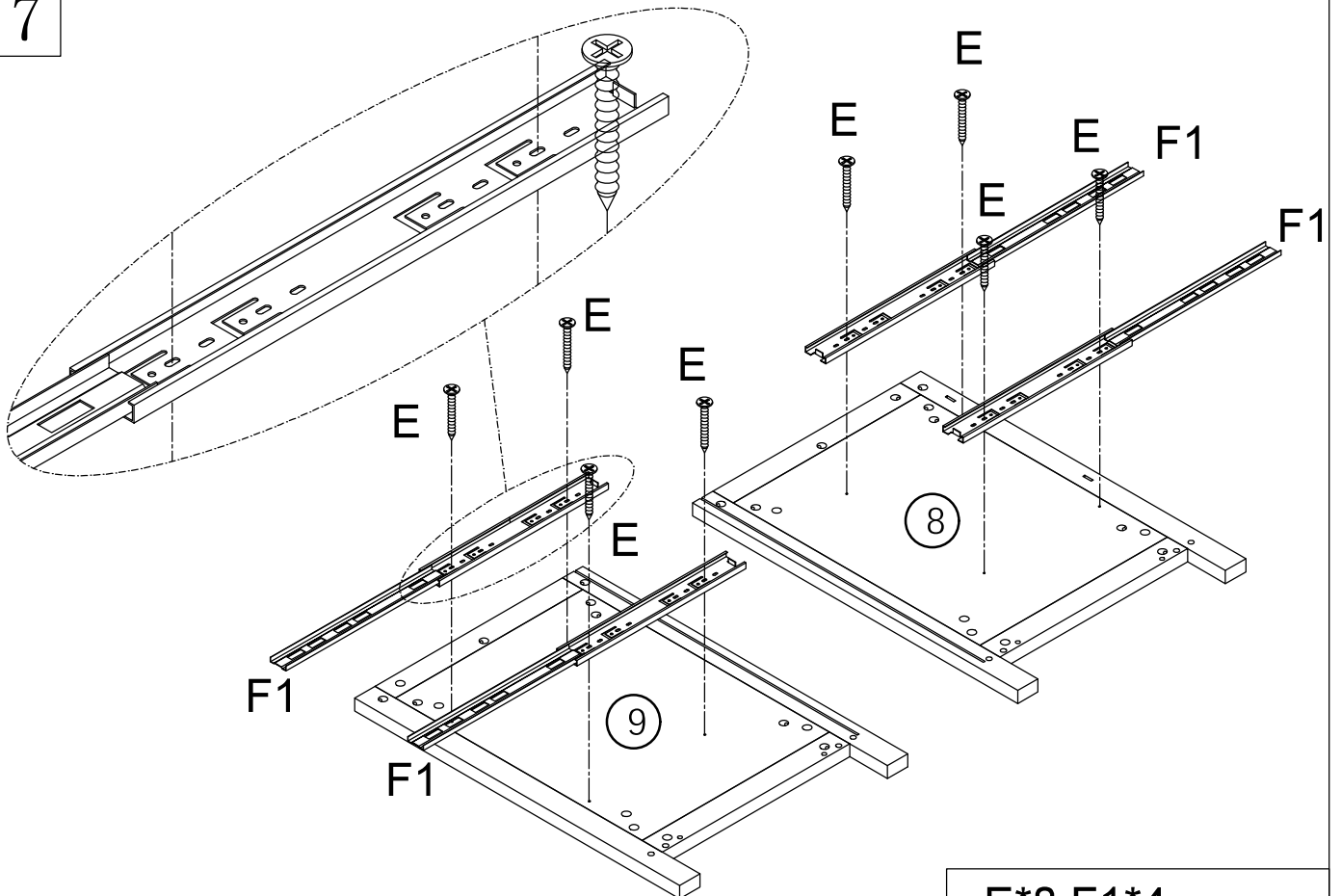
A2*11

6



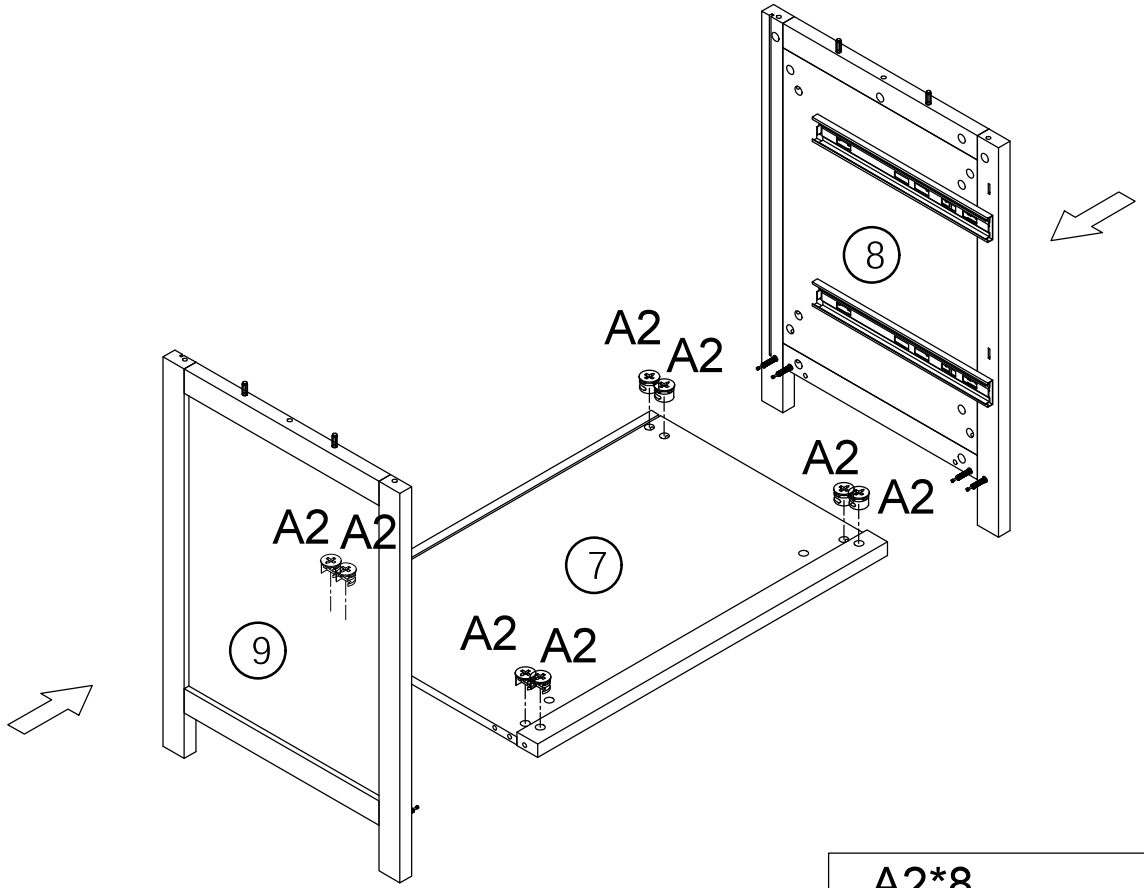
A2*2

7

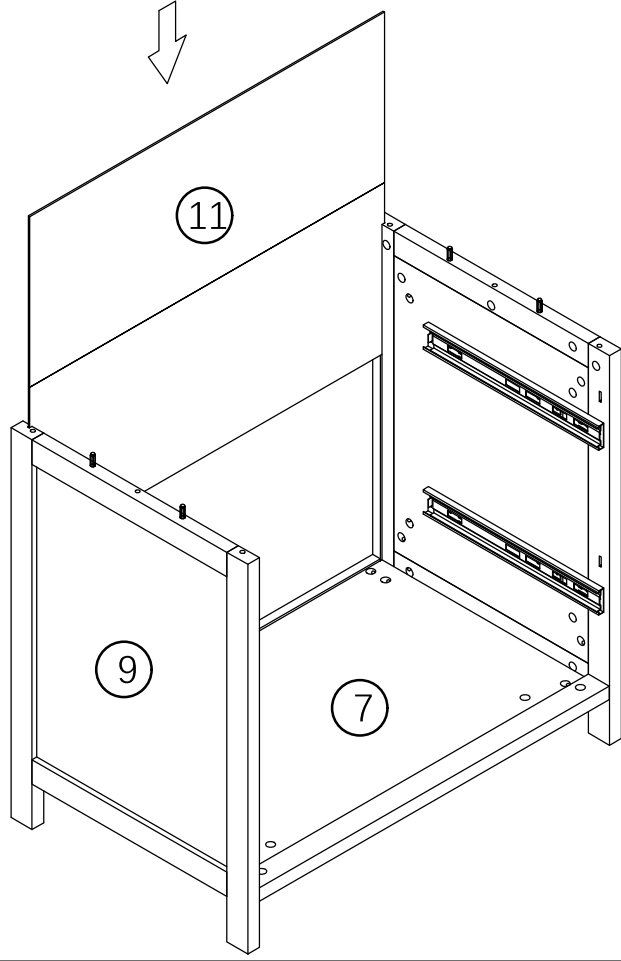


E*8 F1*4

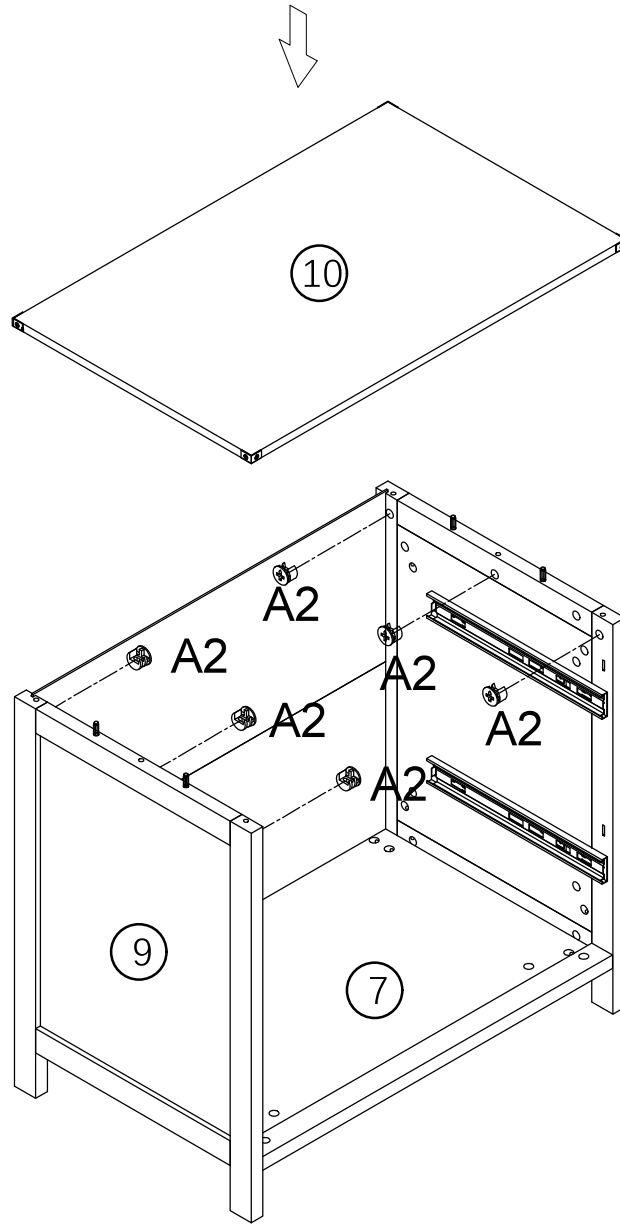
8



9

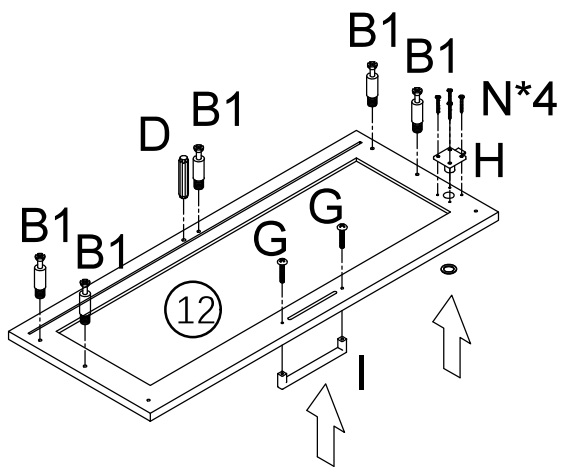


10



A2*6

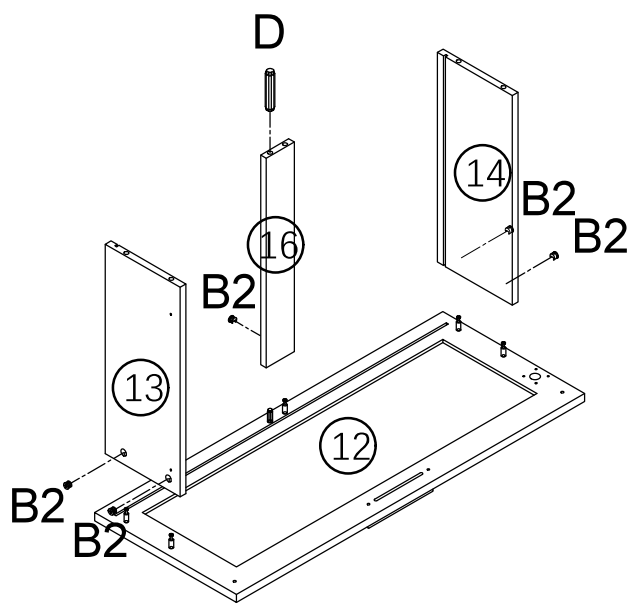
11



X2

B1*10 D*2 N*8 H*2 I*2 G*4

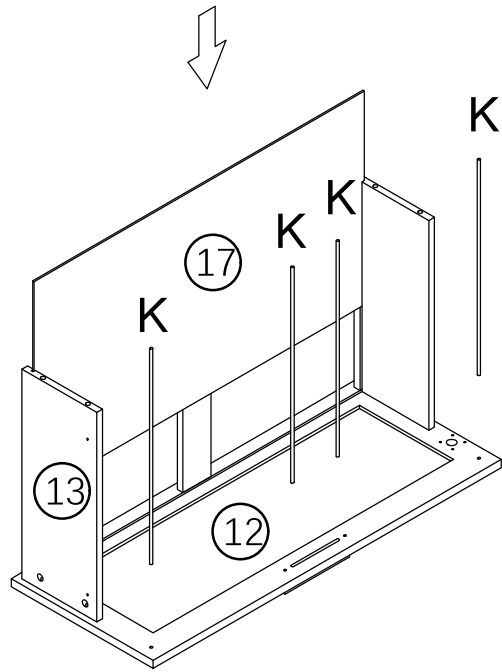
12



X2

D*2 B2*10

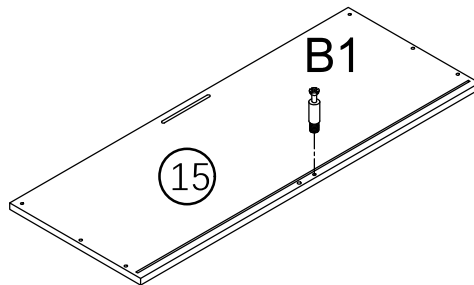
13



X2

K*8

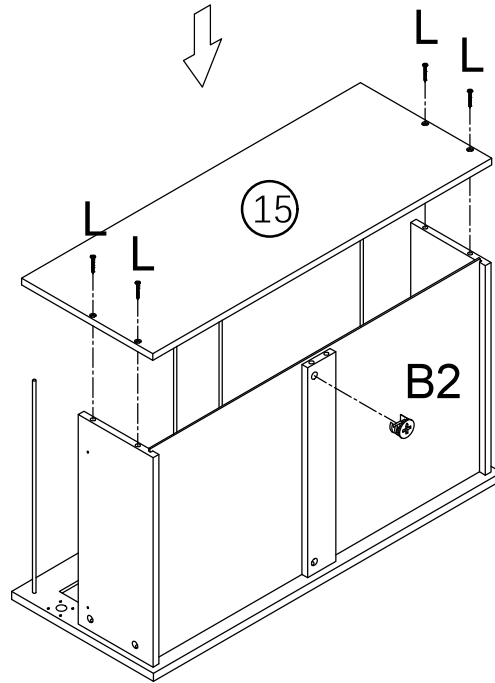
14



X2

B1*2

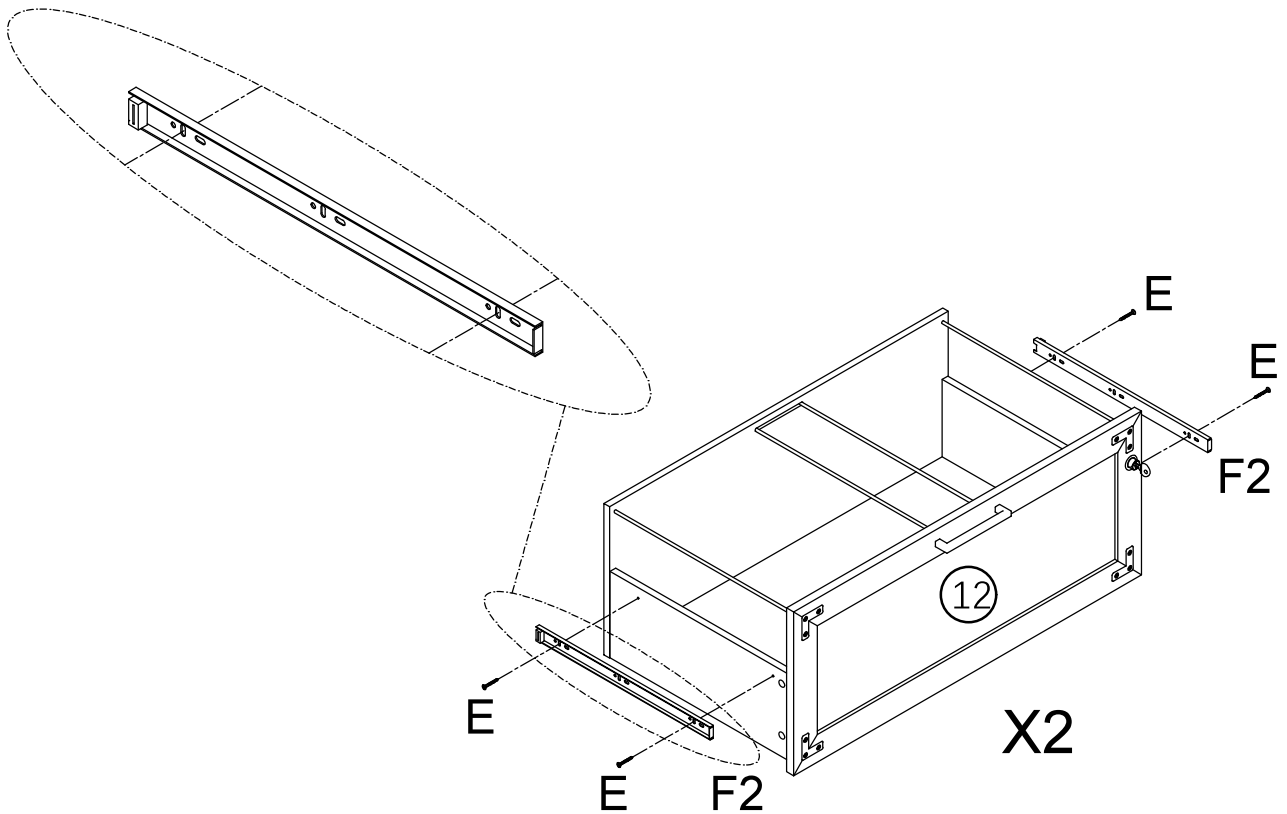
15



X2

B2*2 L*8

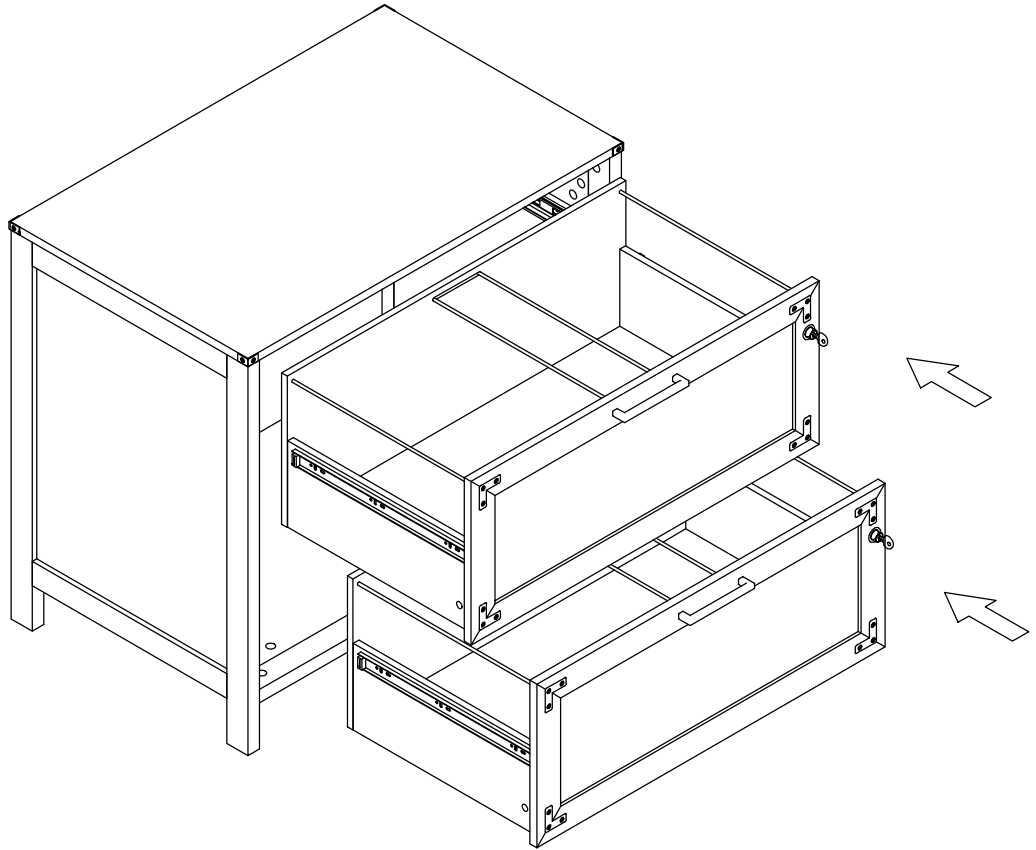
16



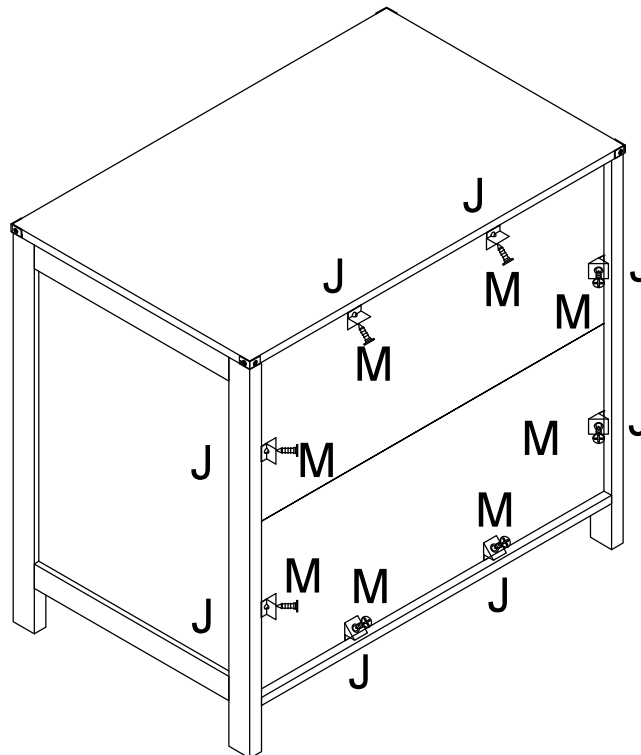
X2

E*8 F2*4

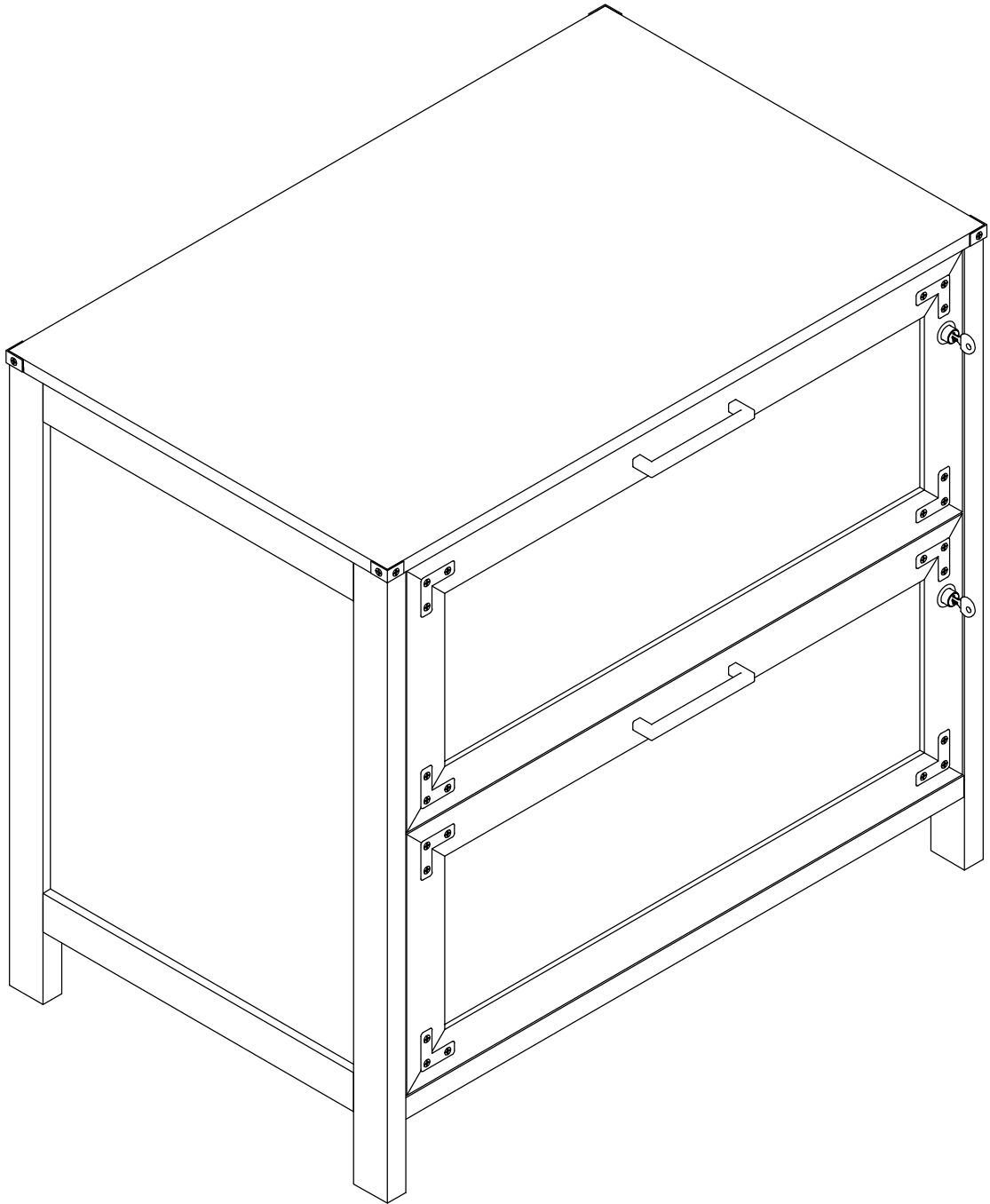
17



18



J*8 M*8



END