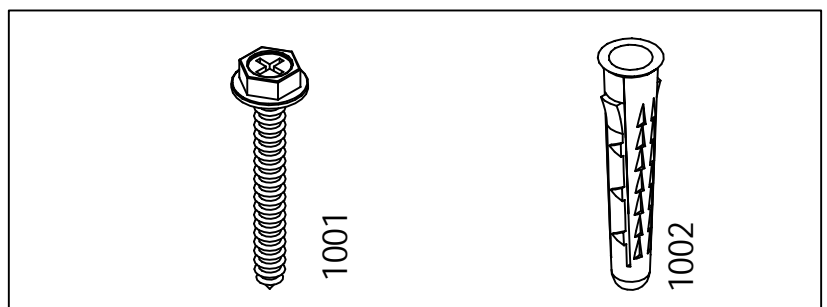


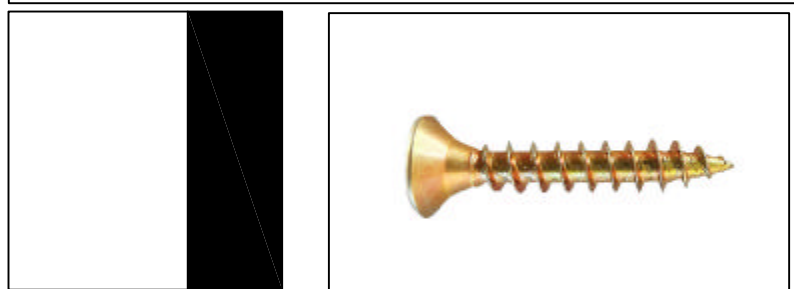
Installation wall requirements

Solid brick wall, load-bearing wall, fired hollow brick wall, wood board wall thickened insulation wall! It is not recommended to install gypsum board walls and thin plywood walls...!

1. For solid brick walls, load-bearing walls, and fired hollow brick walls, we are equipped with 10mm wall fittings



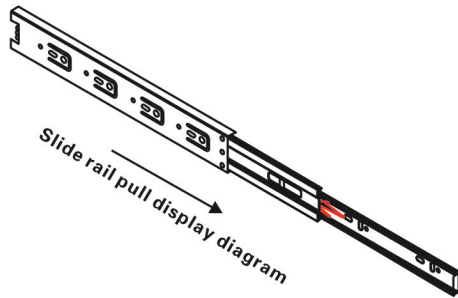
2. If it is a wooden wall (the thickness of the board needs to be at least 15 mm), please use spare screws.



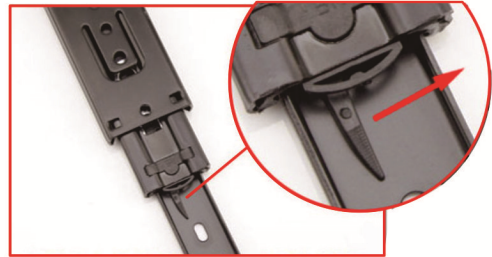
15mm

Product component installation sequence diagram

① Stretch the slide rail to the maximum.

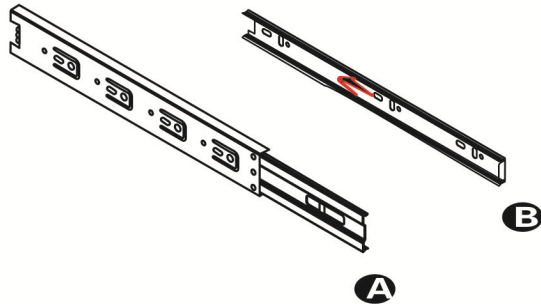


② Press and hold the button to remove the slide rail.

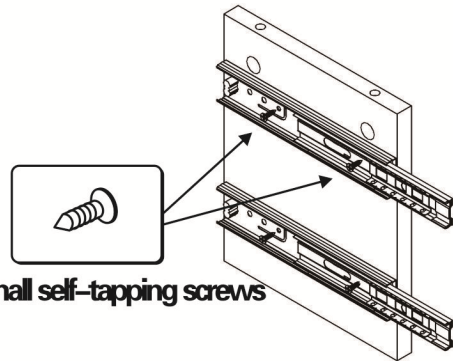


The rail can be removed by sliding in the direction of the arrow
No tools required

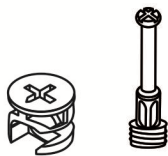
③ Fold the slide rail into two parts A \ B.



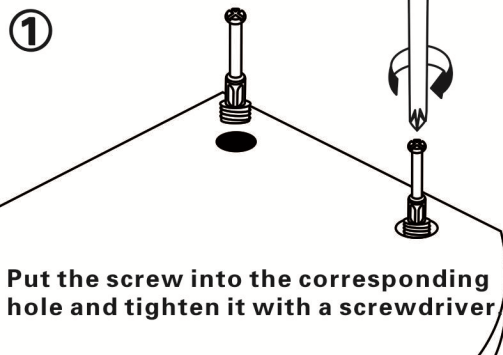
④ Fix A slide rail with small tapping screws No. 2/3 board.



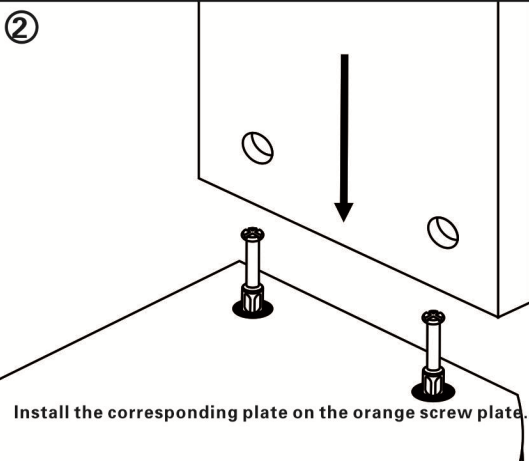
Small self-tapping screws



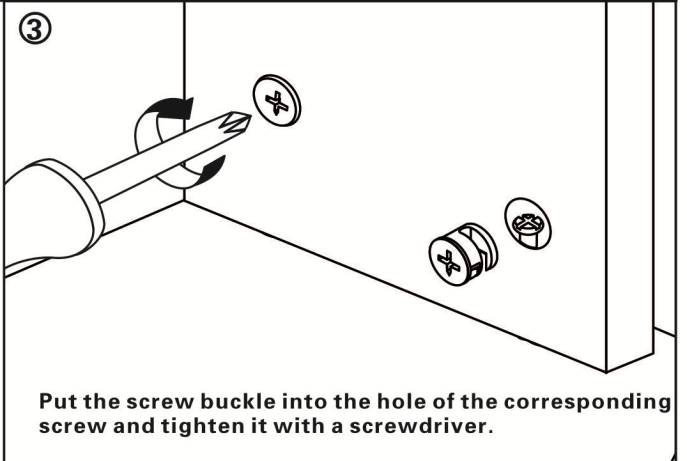
Three-in-one fastener instructions



Put the screw into the corresponding hole and tighten it with a screwdriver



Install the corresponding plate on the orange screw plate.

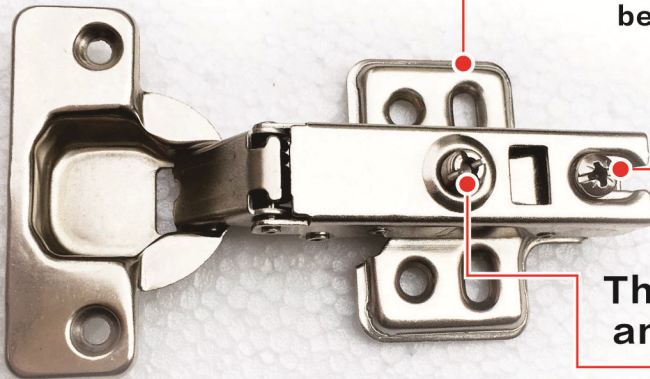


Put the screw buckle into the hole of the corresponding screw and tighten it with a screwdriver.

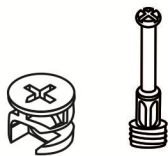
How to adjust the door hinge/hinge.

The screw is fixed here, and the distance between the upper and lower doors can be adjusted

Adjust the opening and closing gap between the door panel and the side panel

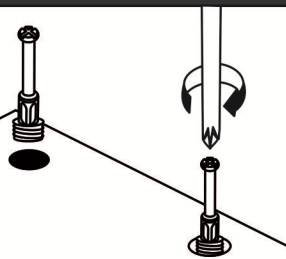


This screw adjusts the upper and lower gap of the two doors



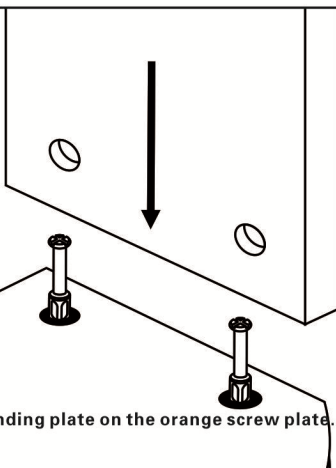
Three-in-one fastener instructions

①



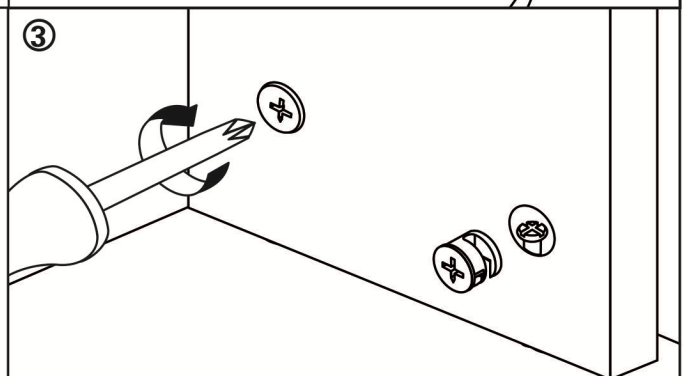
Put the screw into the corresponding hole and tighten it with a screwdriver

②



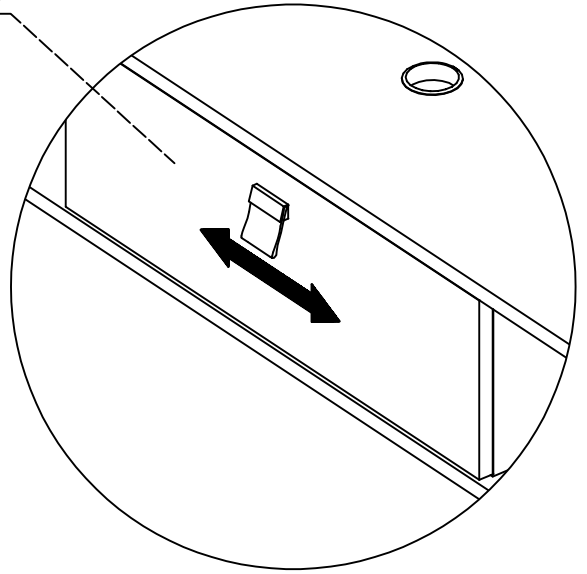
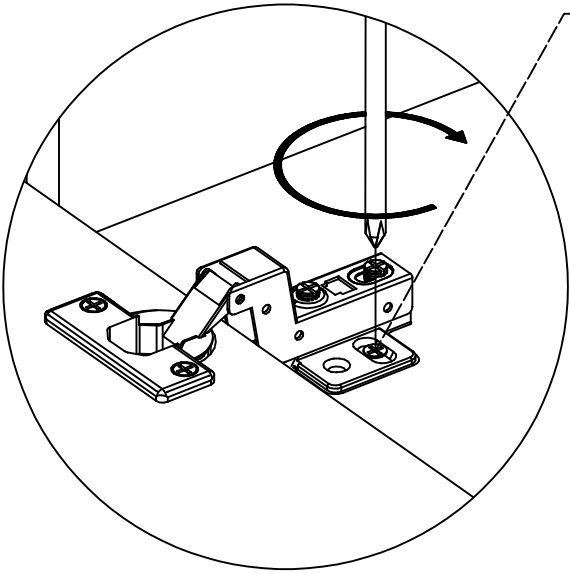
Install the corresponding plate on the orange screw plate.

③

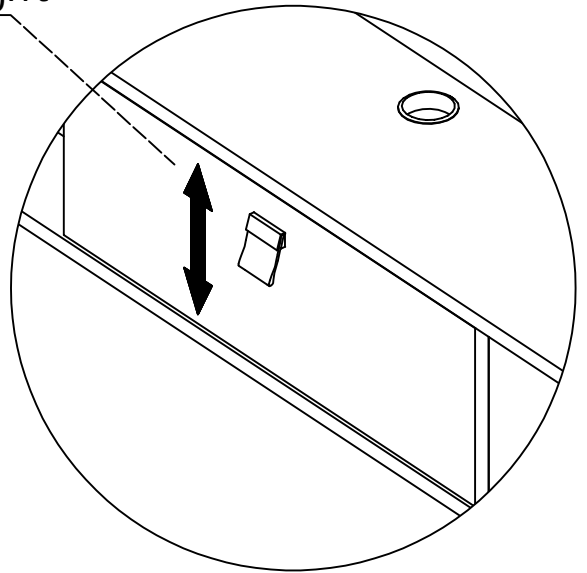
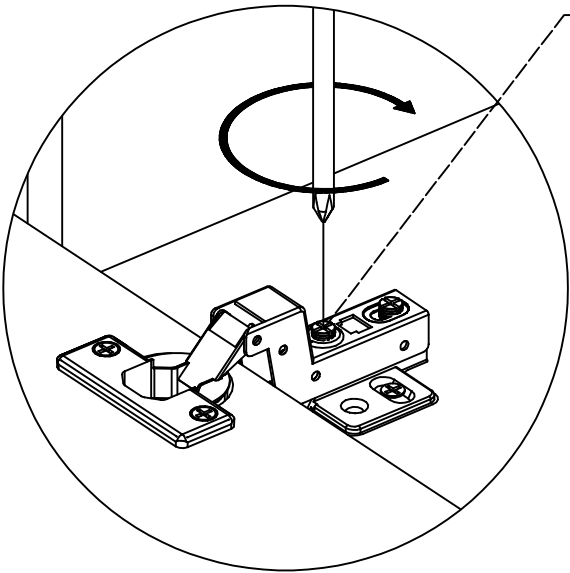


Put the screw buckle into the hole of the corresponding screw and tighten it with a screwdriver.

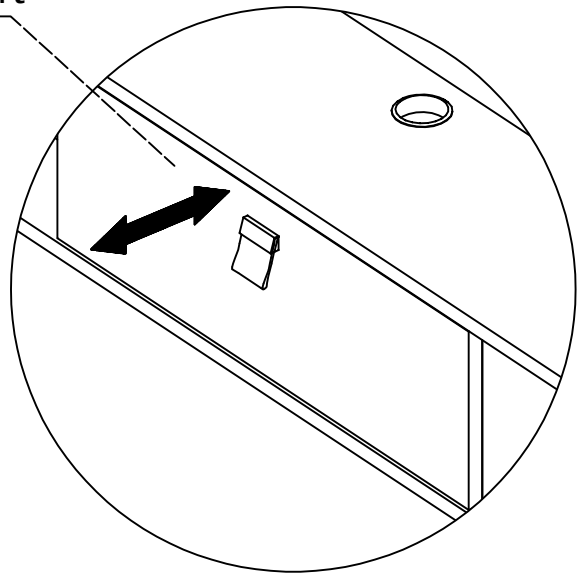
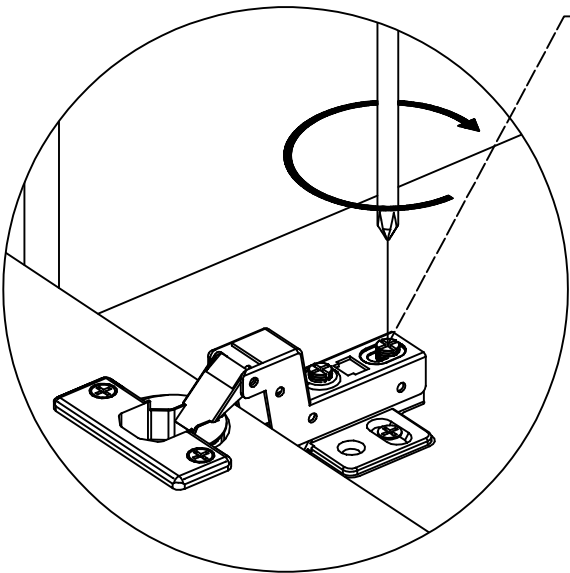
Adjust left

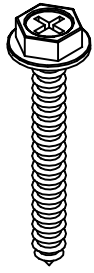


Adjust Height



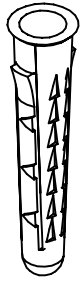
Adjust front





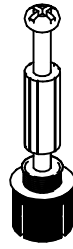
1001

4x



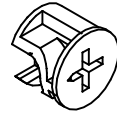
1002

4x



1003

24x



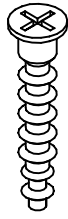
1004

24x



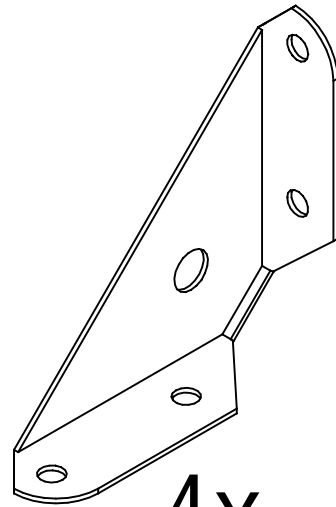
1005

44x



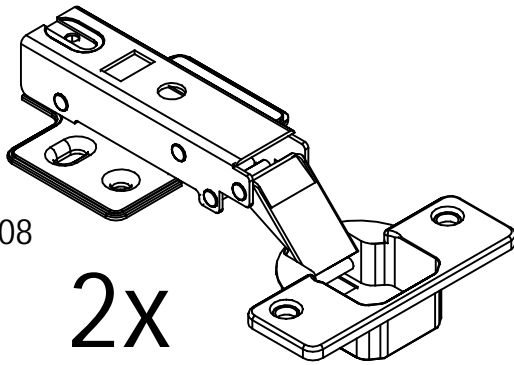
1006

8x



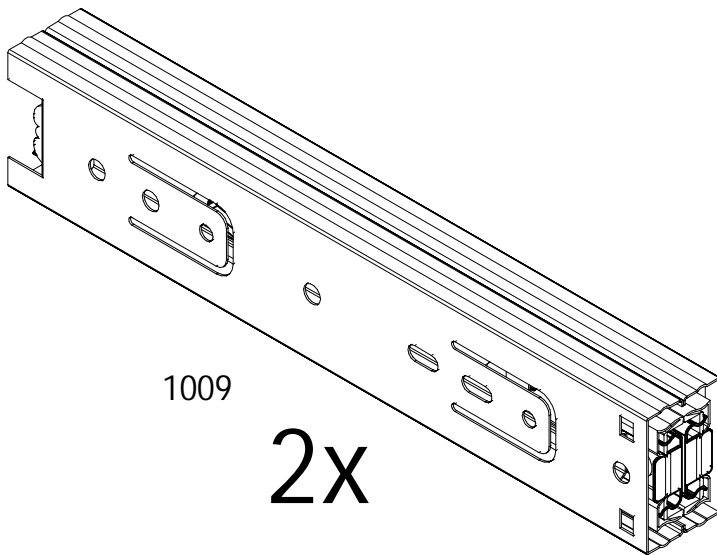
1007

4x



1008

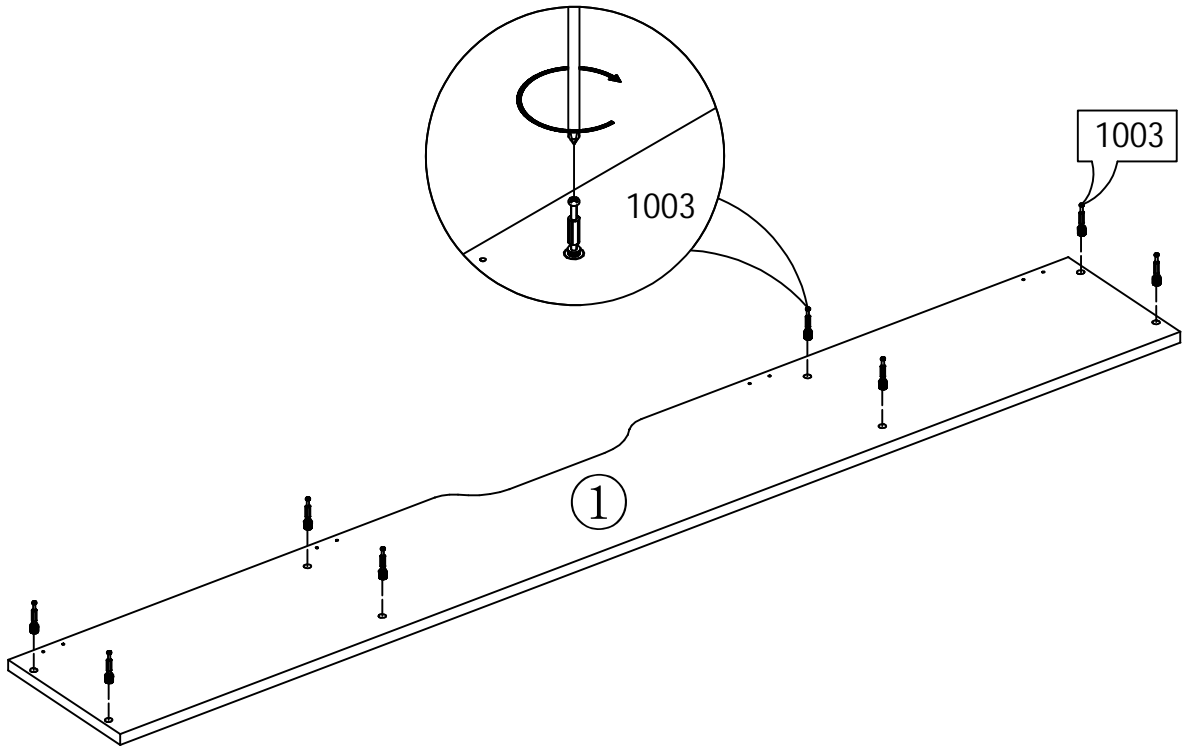
2x



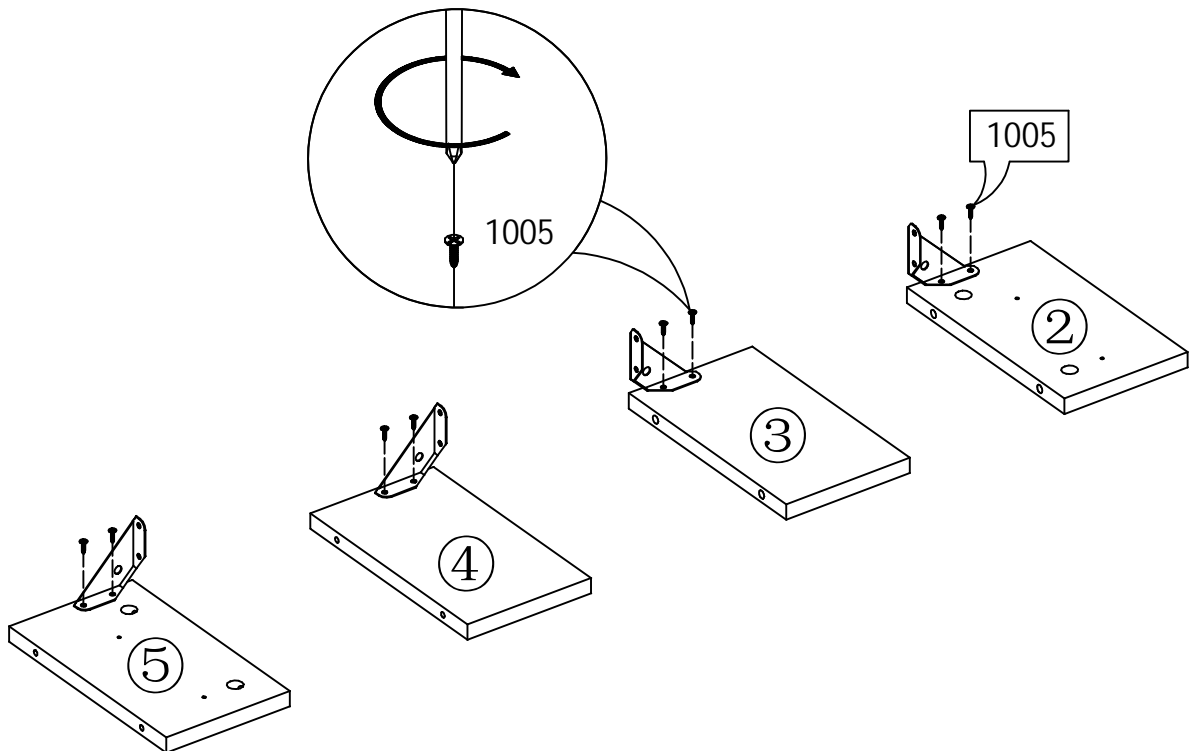
1009

2x

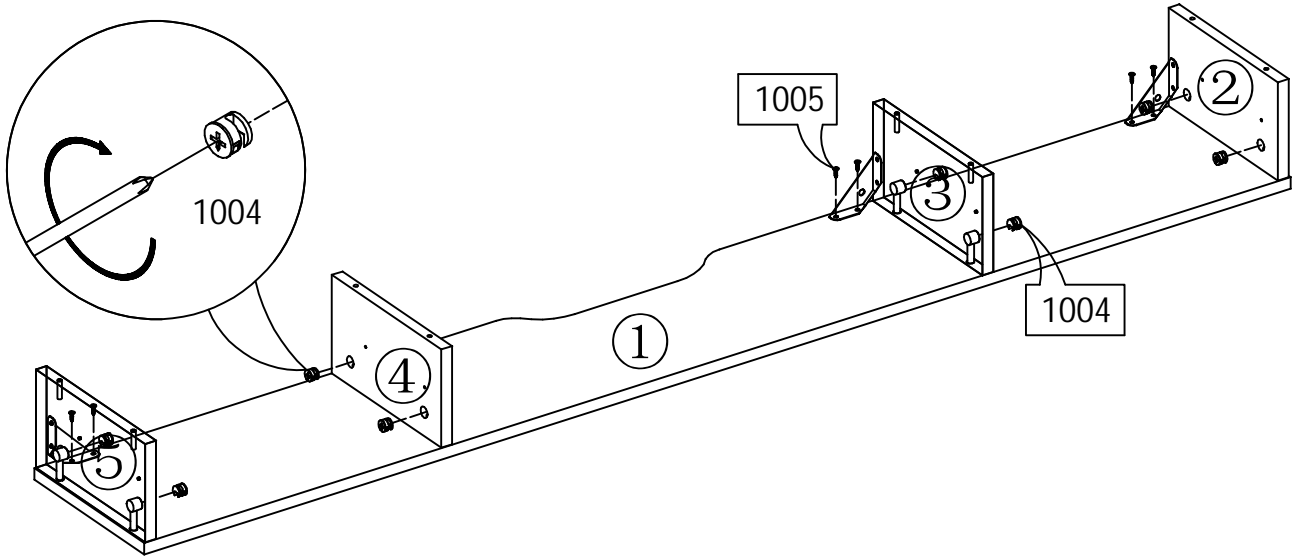
1



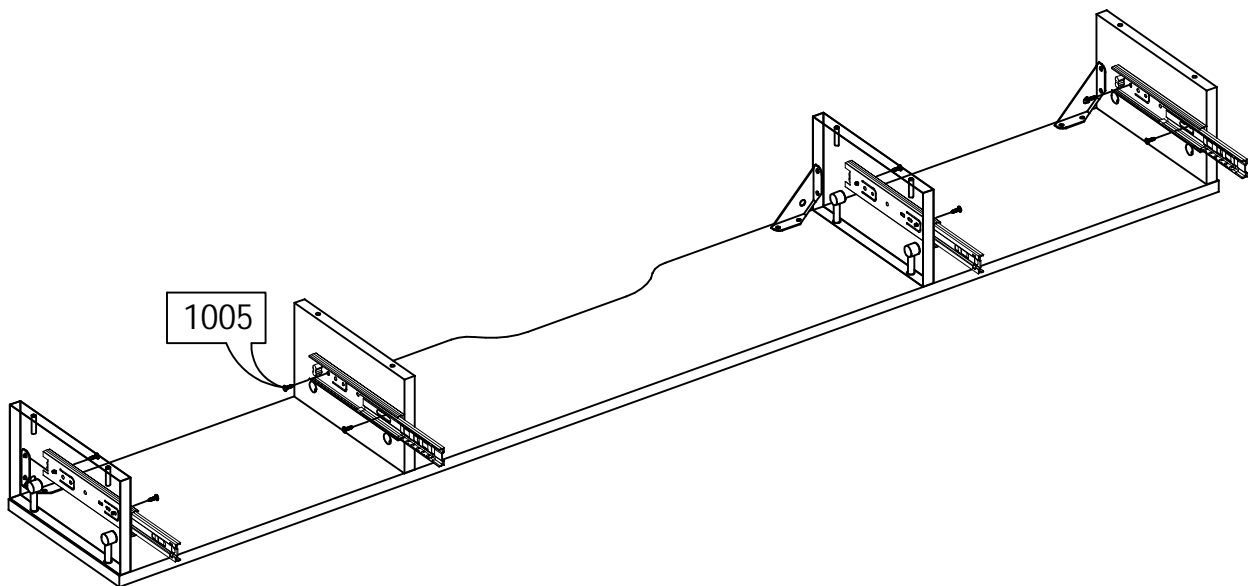
2



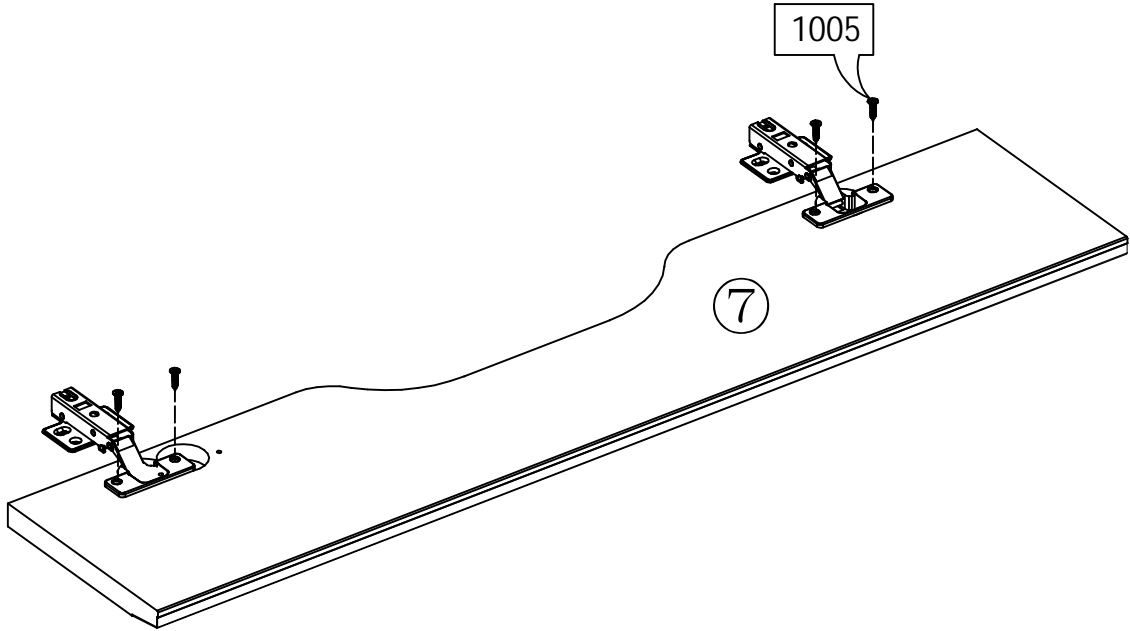
3



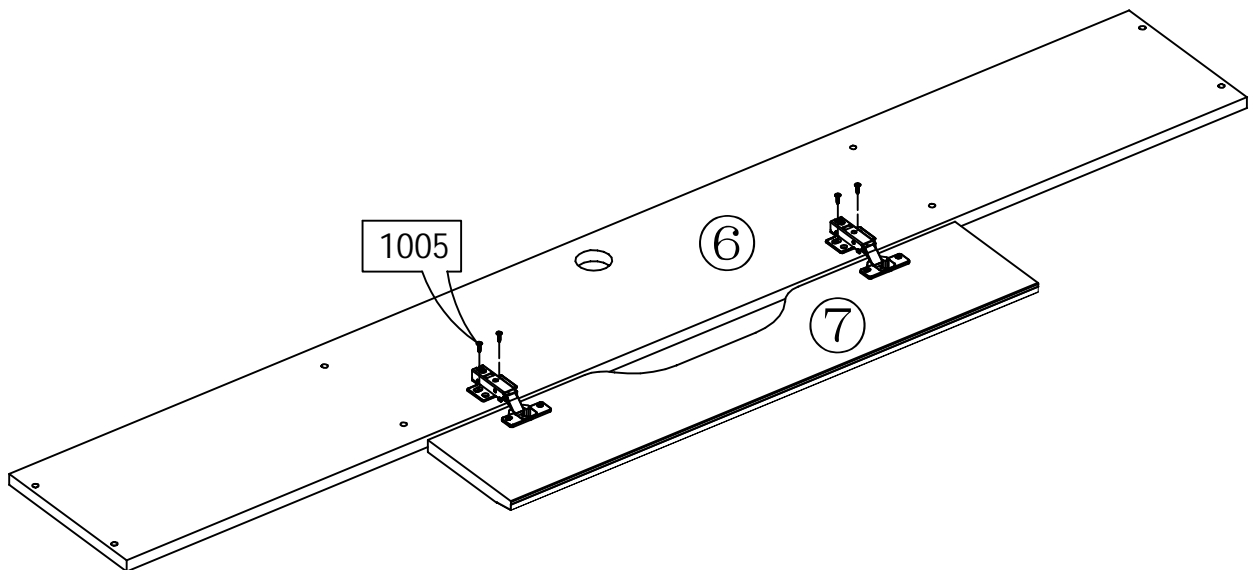
4



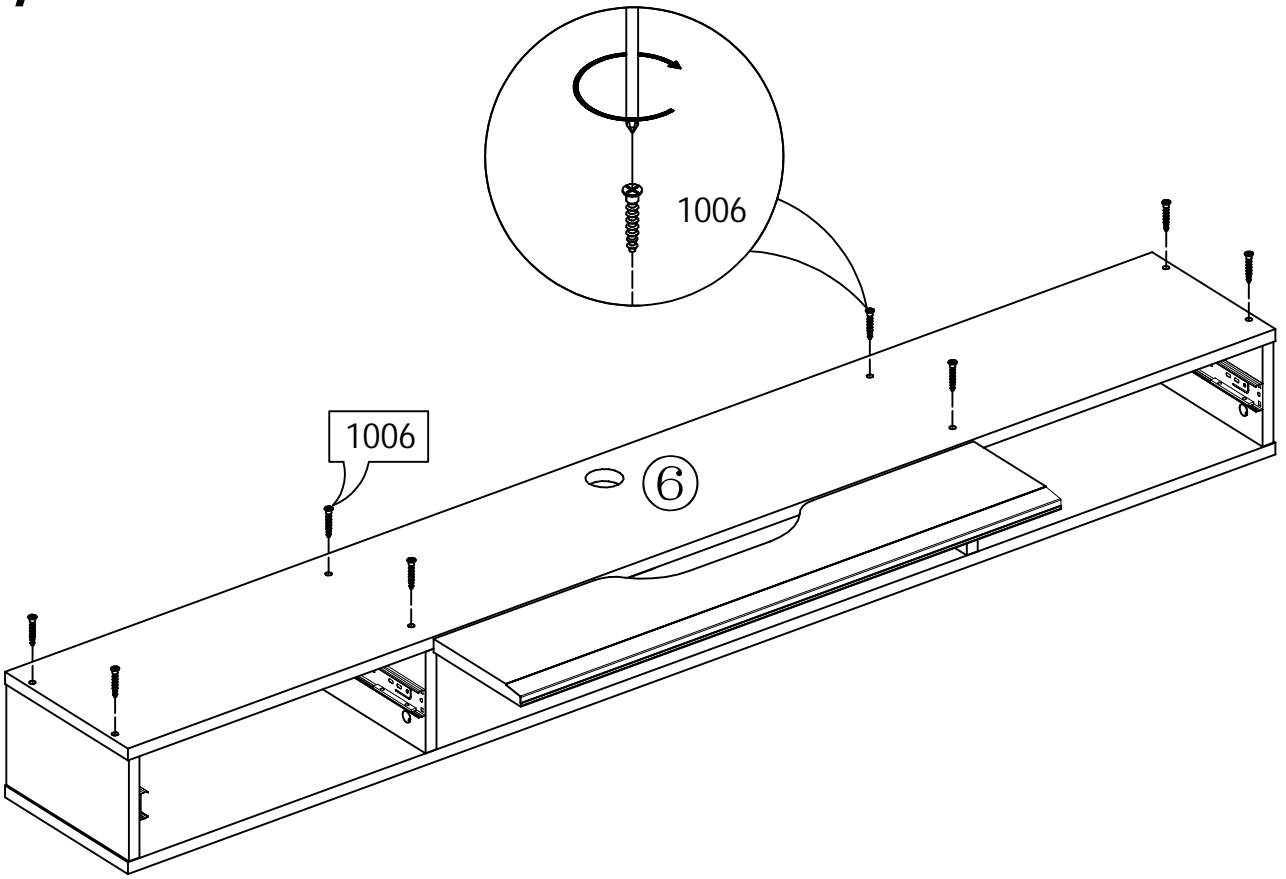
5



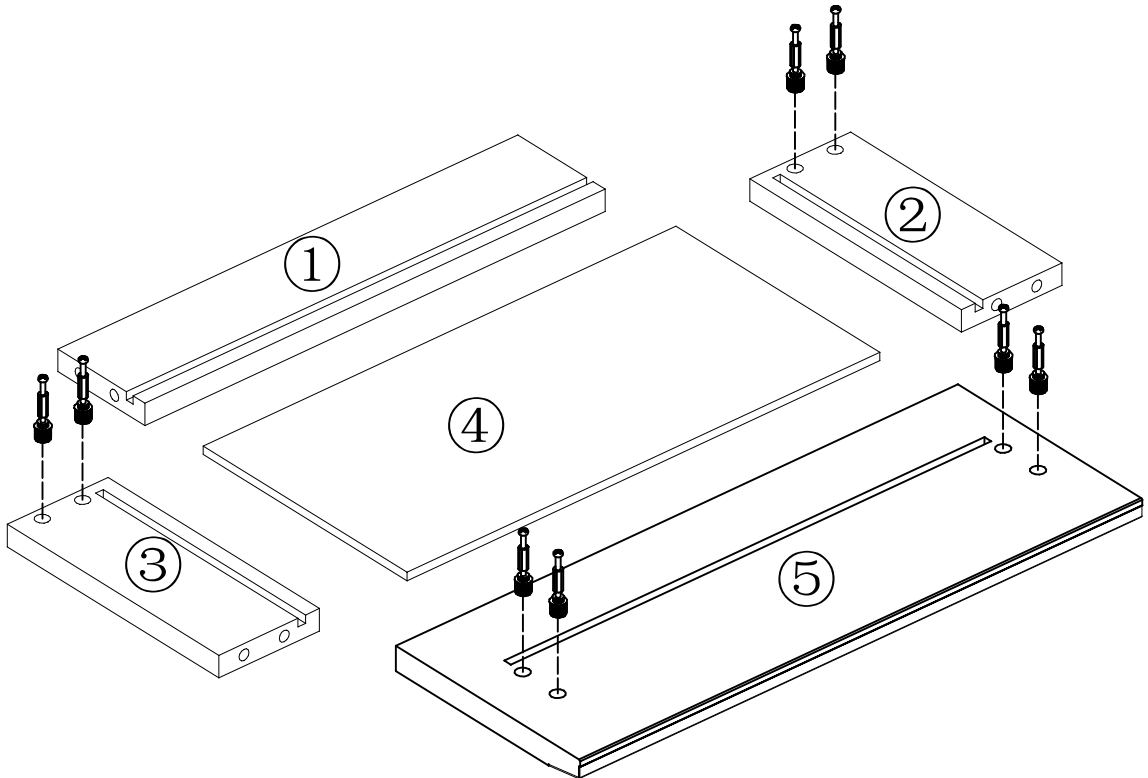
6



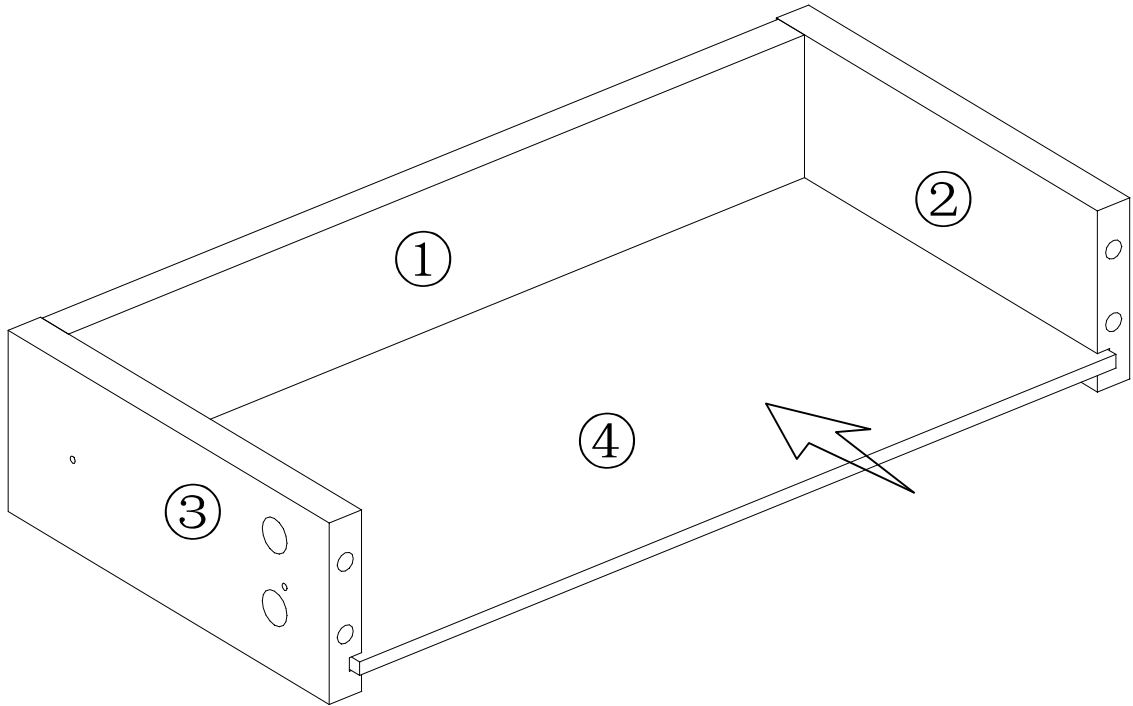
7



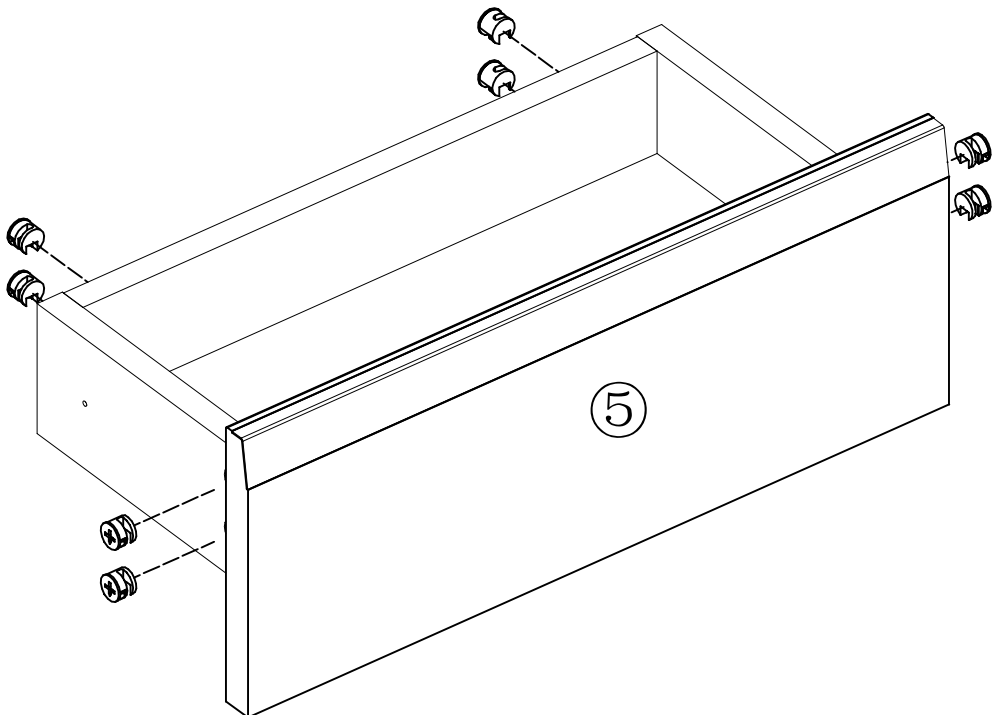
8



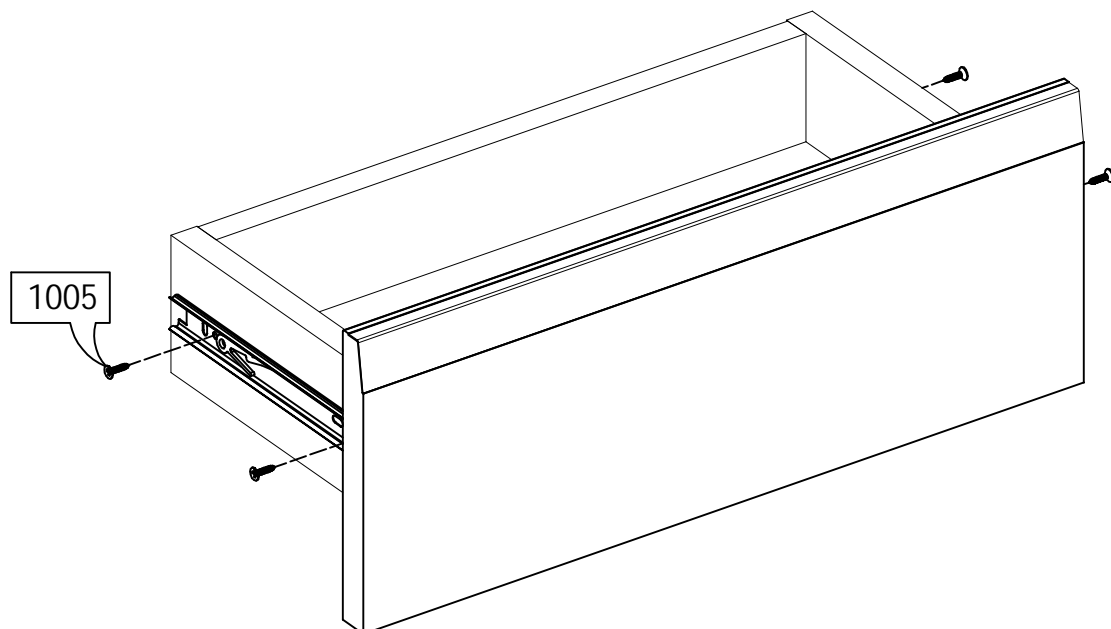
9



10

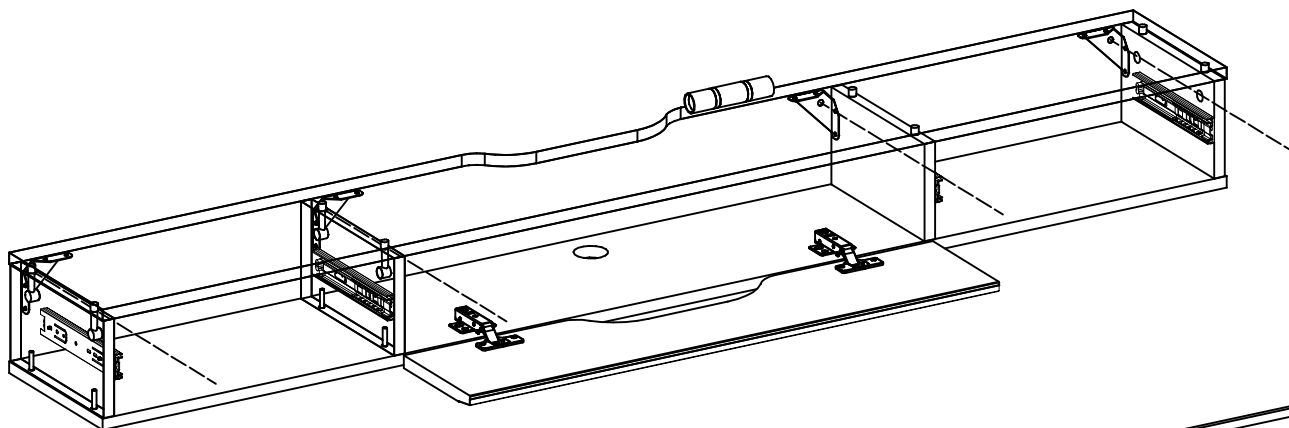


11



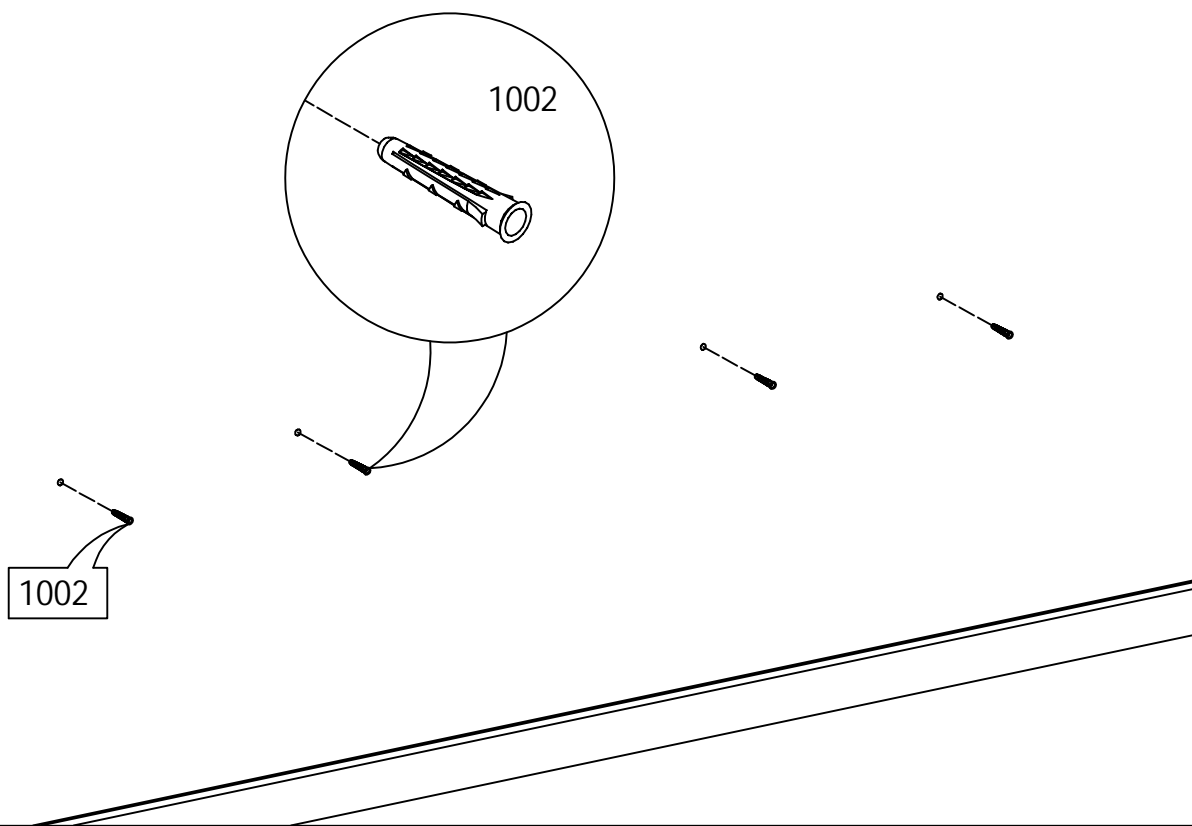
12

Locate the hole on the wall of the furniture according to the position of the spirit level

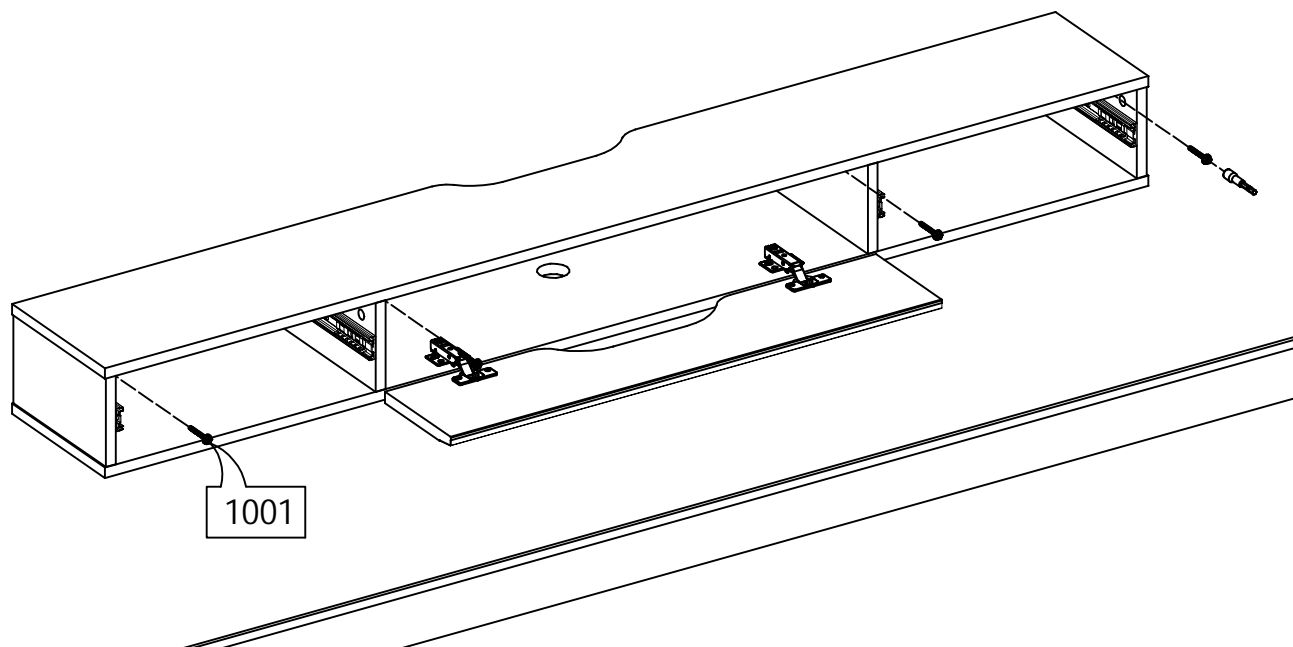


13

Make 10mm expansion holes on the wall



14



15

