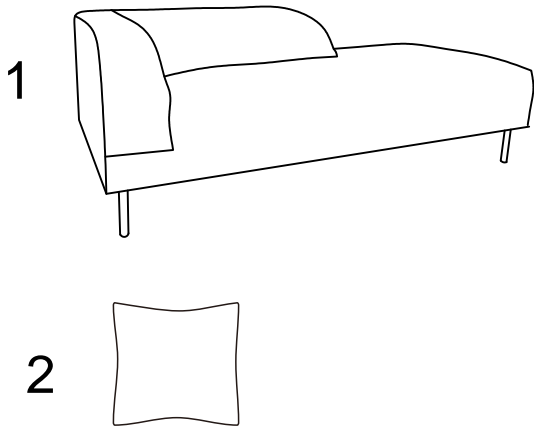



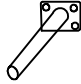


ASSEMBLY INSTRUCTION

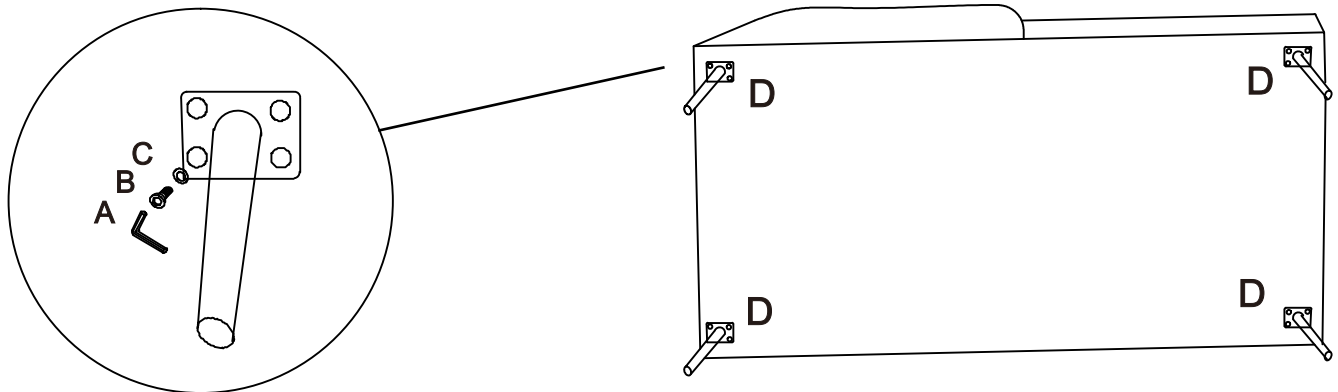
PARTS LIST



HARDWARE LIST

A	ALLEN WRENCH		1PC
B	BOLT		16PCS
C	WASHER		16PCS
D	LEG		4 PCS

STEP1



STEP2

