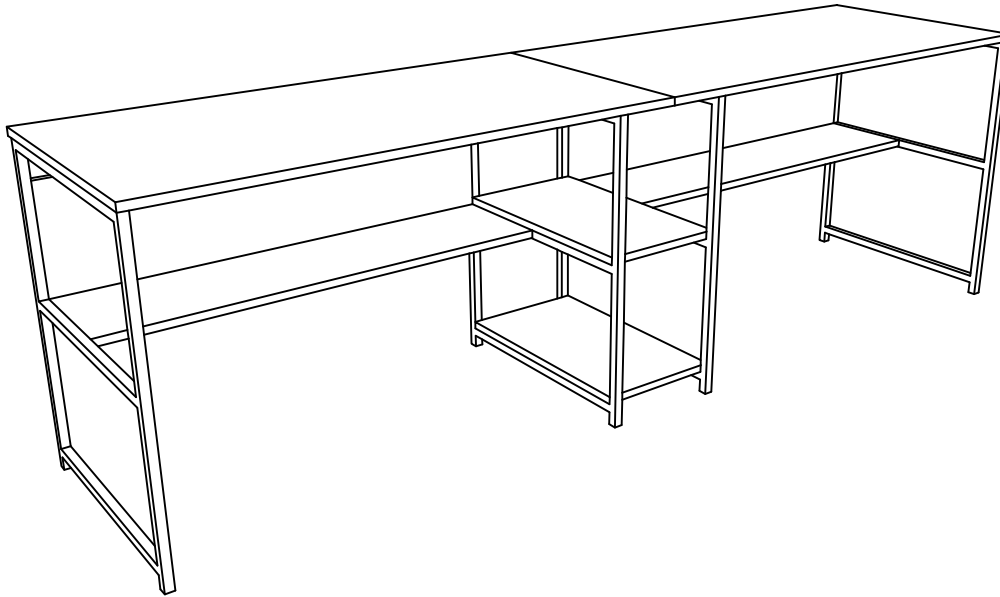


## Double Study Desk




## ATTENTION!

Dear customer,




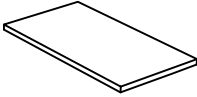

We recommend that you follow the carefully prepared field guide so that you can assemble the product you have purchased completely and easily.

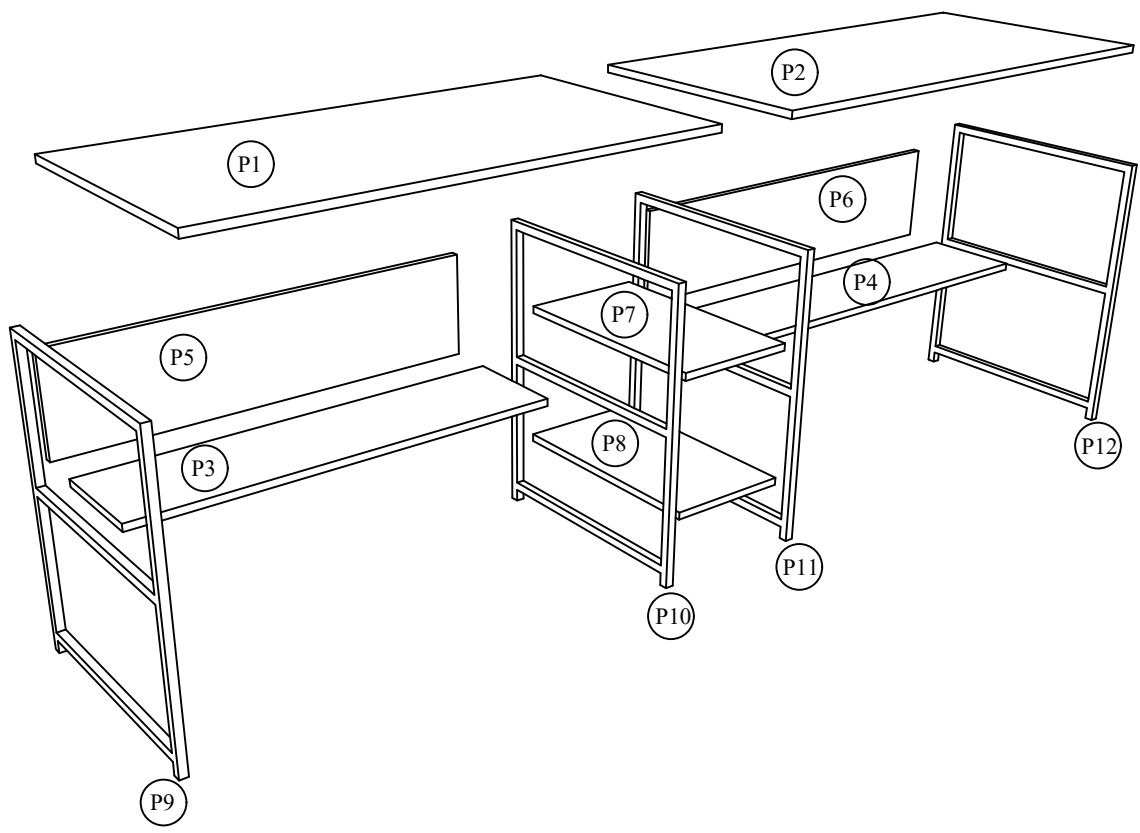
First of all, check the incoming parts by opening the package you received, examining the parts and accessories list. After performing the control process, perform the steps one by one using the accessories provided. In order to avoid any problems during the assembly phase, the amount of material in the accessory list has been sent more than necessary. Do not worry about missing joints in case of increased material.

## Accessory List

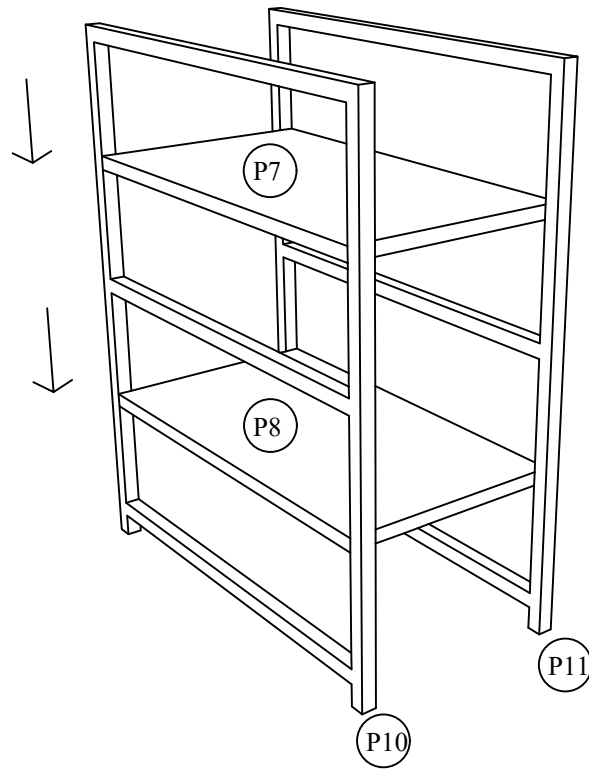
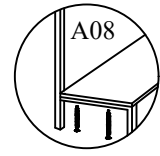
4x35 Screw x 45			
			

## Item List

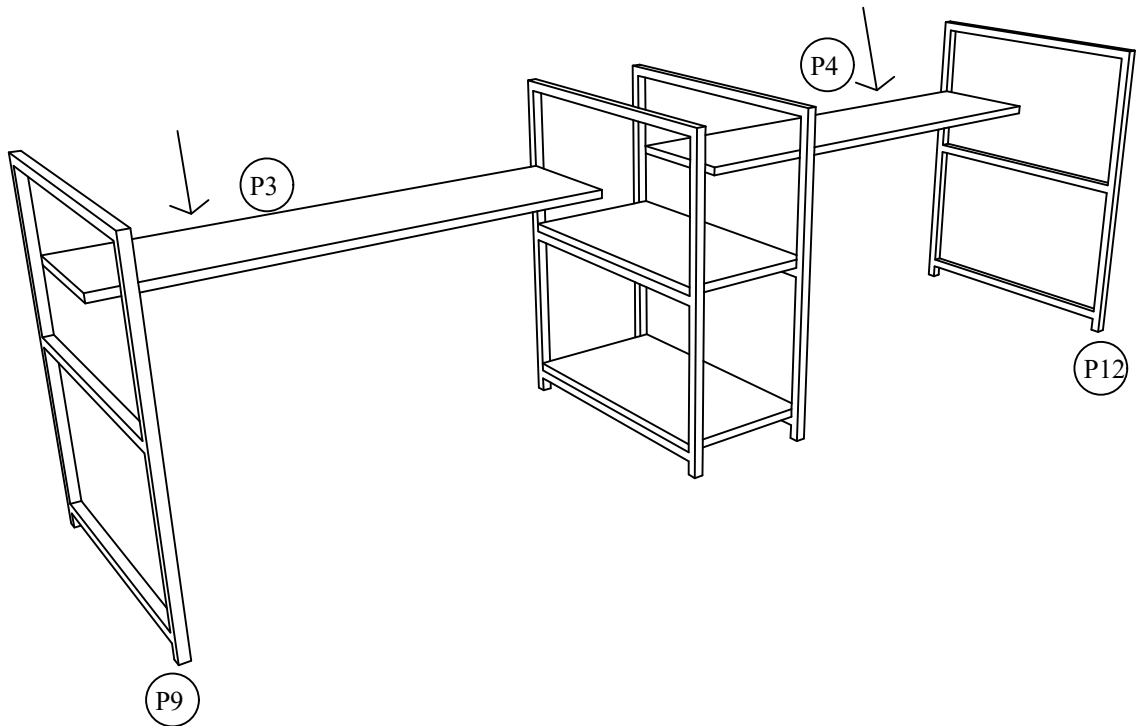
P1-P2 60X120	P3-P4 25X120	P5-P6 25X103	P7-P8 54X30	P9-P10-P11-P12 72X58
				



1



2



3

