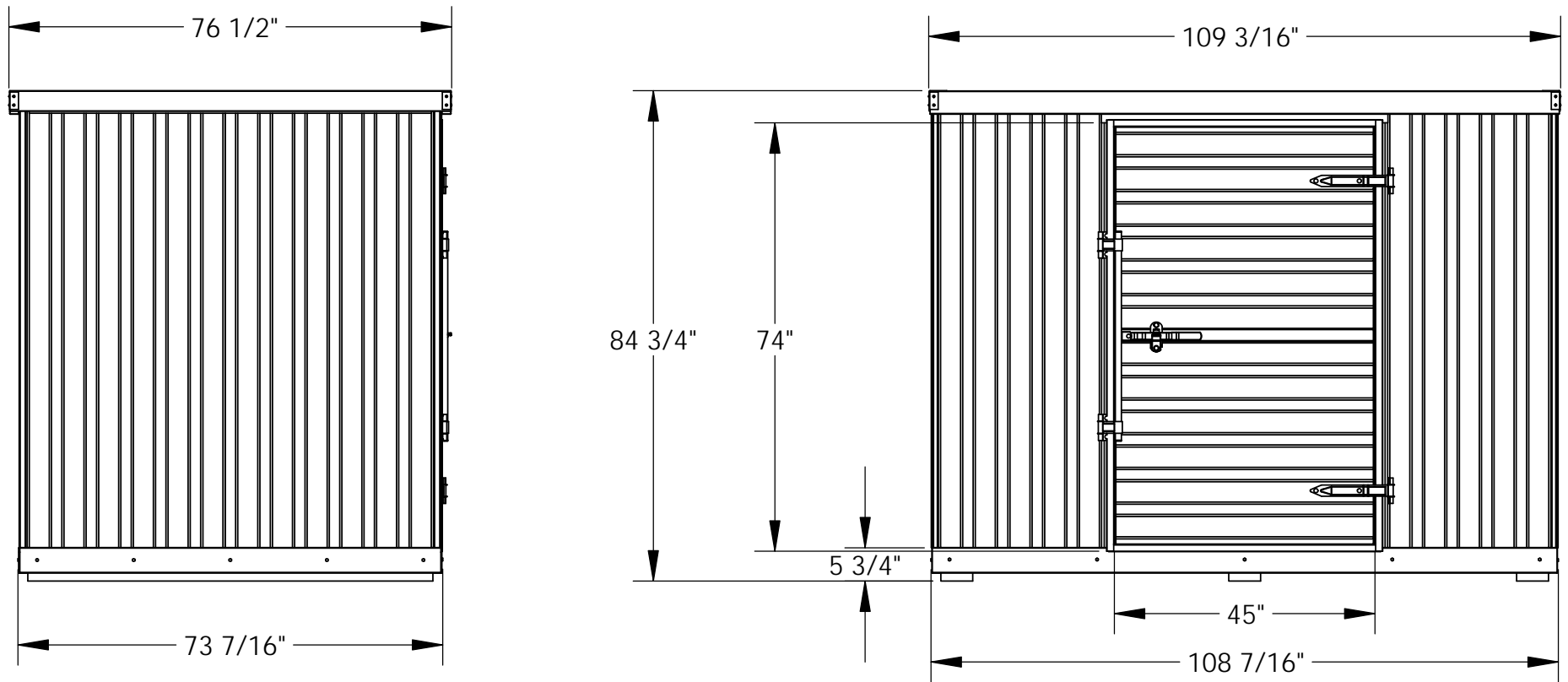


SINGLE DEPTH STORAGE BUILDING - STOR-96-G-W-1RH

APPROX WEIGHT: 762.28 lbs.
 DOES NOT INCLUDE WEIGHT OF POWER OR PACKAGING!!!

*** ANY ADDITIONS, DELETIONS, OR OMISSIONS MUST BE CORRECTED ON THIS DRAWING AS THIS DRAWING WILL BE CONSIDERED ALL INCLUSIVE ***

ALL GRAPHICS PROVIDED ARE FOR REFERENCE ONLY. IF CERTAIN DIMENSIONS ARE CRITICAL PLEASE VERIFY THOSE DIMENSIONS WITH YOUR SALESPERSON



DIMENSION TOLERANCE $\pm 1/4$ "

STANDARD FEATURES

- MODEL NUMBER IS: STOR-96-G-W-1RH
- UNIFORM CAPACITY OF FLOOR IS: 2,750 #
- OVERALL WIDTH IS: 109 3/16"
- USABLE WIDTH INSIDE IS: 104 3/4"
- OVERALL DEPTH IS: 76 1/2"
- USABLE DEPTH INSIDE IS: 69 3/4"
- OVERALL HEIGHT IS: 84 3/4"
- USABLE HEIGHT INSIDE IS: 77 7/16"
- USABLE DOOR OPENING IS: 45" W X 74" H
- WOODEN FLOOR HEIGHT IS: 5 3/4" H
- HOLDS SNOW UP TO 45 LBS PER SQ-FT

SPECIAL FEATURES

NONE

A P P R O V A L	I, THE UNDERSIGNED, AGREE THAT THE PRODUCT AS REPRESENTED SATISFIES DESIGN AND DIMENSION REQUIREMENTS. I ALSO ACKNOWLEDGE MY DUTY TO CONFIRM PRODUCT AND INSTALLATION COMPLIANCE WITH ALL APPLICABLE FEDERAL, STATE AND LOCAL REGULATIONS AND STANDARDS.	
	ANY MODIFIED UNITS ARE NON-RETURNABLE	
	[] As drawn [] As marked	
	Signed: _____	Date: _____
Printed Name: _____		
<i>LEAD TIME WILL START UPON RECEIPT OF SIGNED APPROVAL DRAWING</i>		

FOR INTERNAL USE ONLY PROJECT SIGN OFF	
SALES	
ENG.	
FAB.	
POWER	

DISTRIBUTOR'S NAME:		P.O.#
VESTIL MANUFACTURING		X
DRAWN BY: ND	DATE: 12/23/11	W.O.#
REFERENCE: X	SCALE: 1:28	X
QUOTED LEAD TIME: X	QUOTE #	FILE NAME:
	X	41-007-006