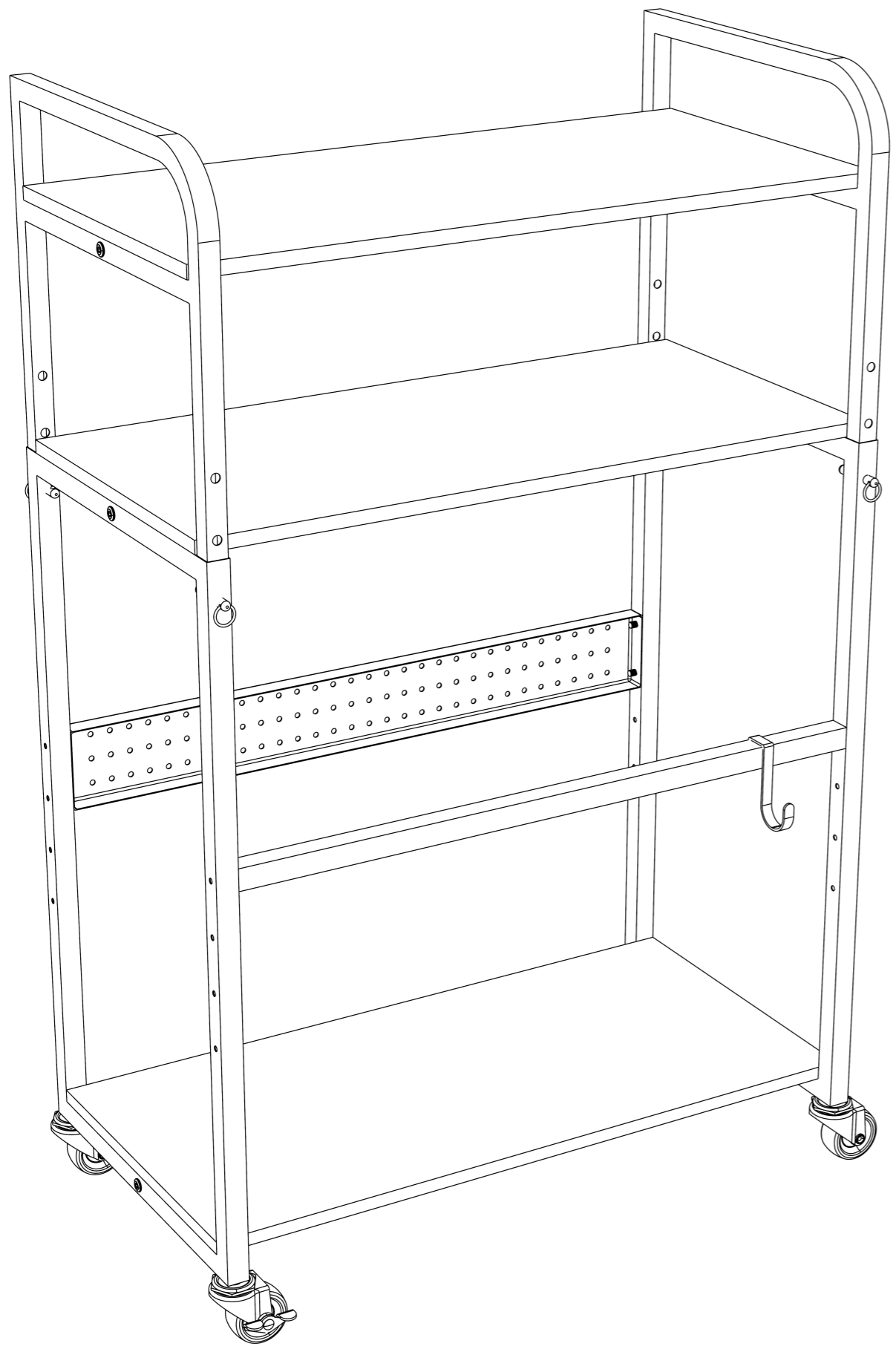
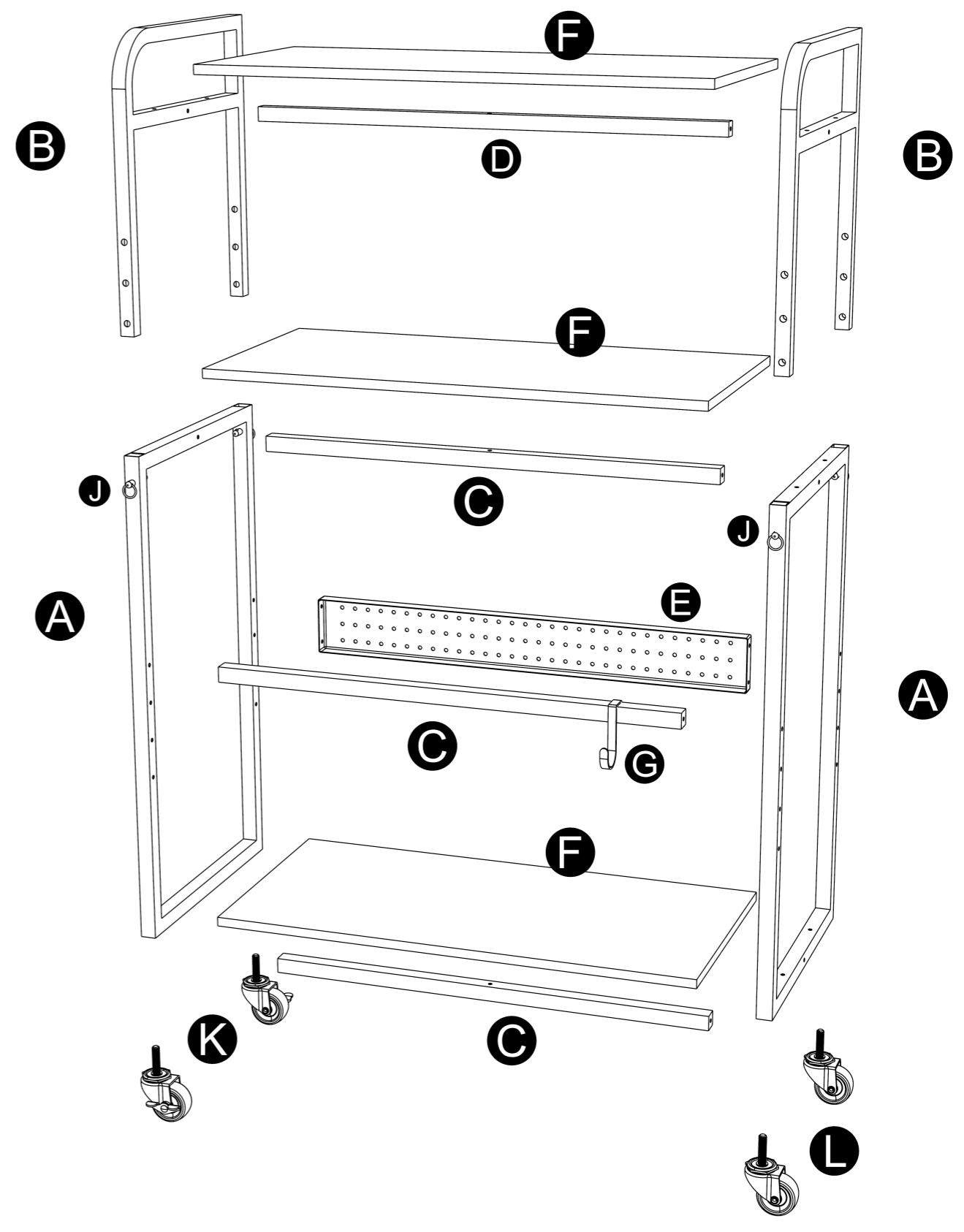


# Computer Tower Stand

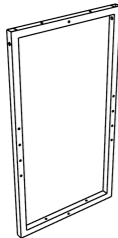
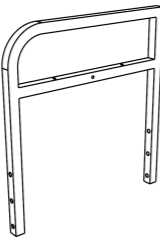

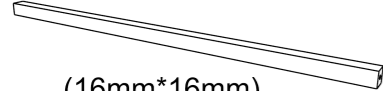
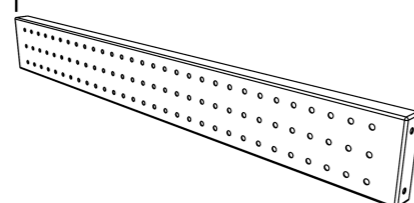
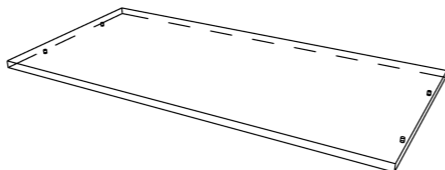
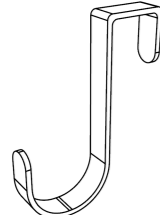
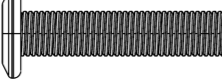

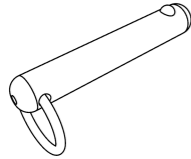
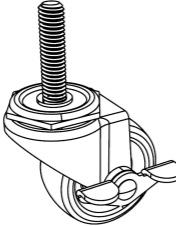
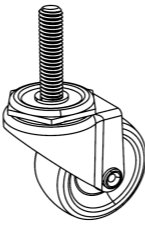


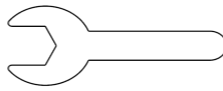


# Explosion diagram



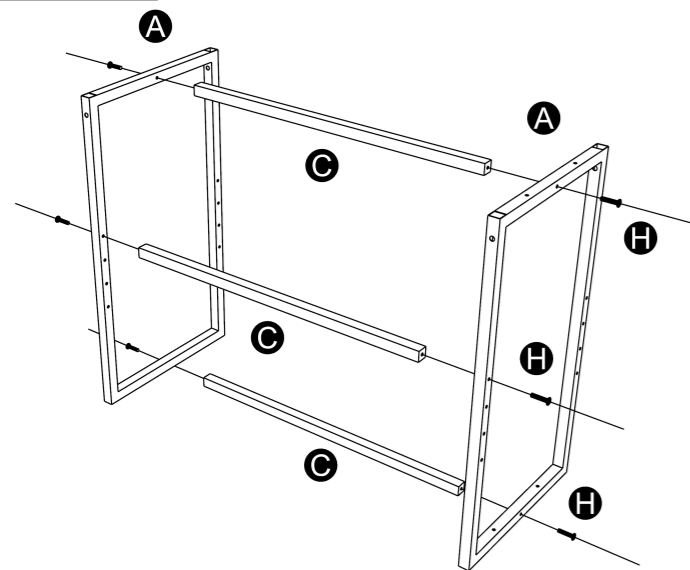
For any problems with the product, feel free to contact the manufacture technical support: [service@uyoyous.com](mailto:service@uyoyous.com)

# Parts list

<b>A</b> *2 	<b>B</b> *2 	<b>C</b> *3  (20mm*20mm)
<b>D</b> *1  (16mm*16mm)	<b>E</b> *1 	<b>F</b> *3 
<b>G</b> *1 	<b>H</b> *16  (30mm)	<b>I</b> *8  (25mm)
<b>J</b> *4 	<b>K</b> *2 	<b>L</b> *2 
<b>M</b> *4 	<b>N</b> *1 	<b>O</b> *1 

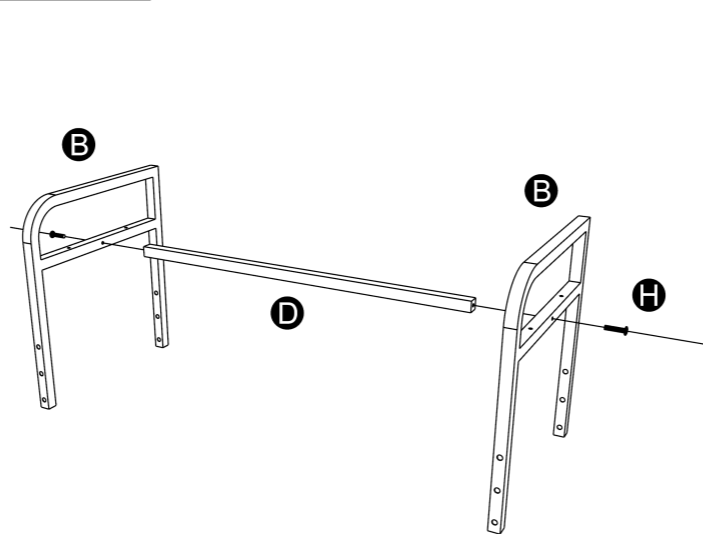
# Assembly procedure

## Step 1



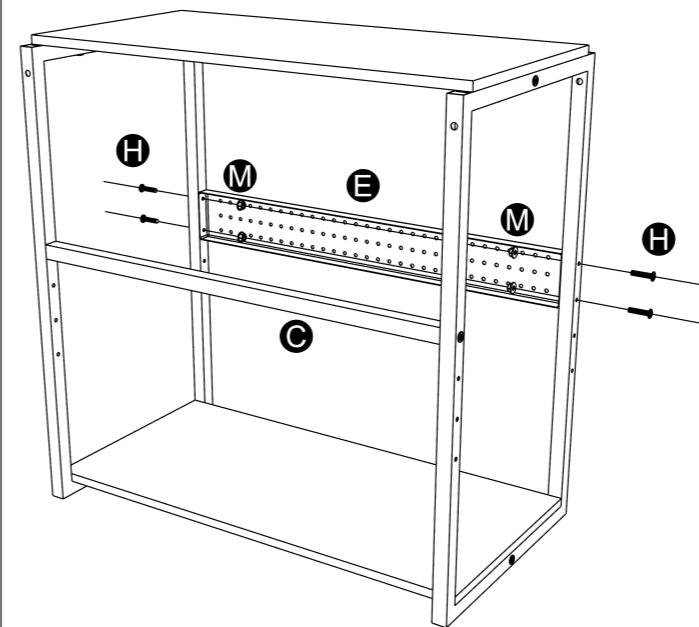
Install parts **A** and **C** together with screws **H**

## Step 2



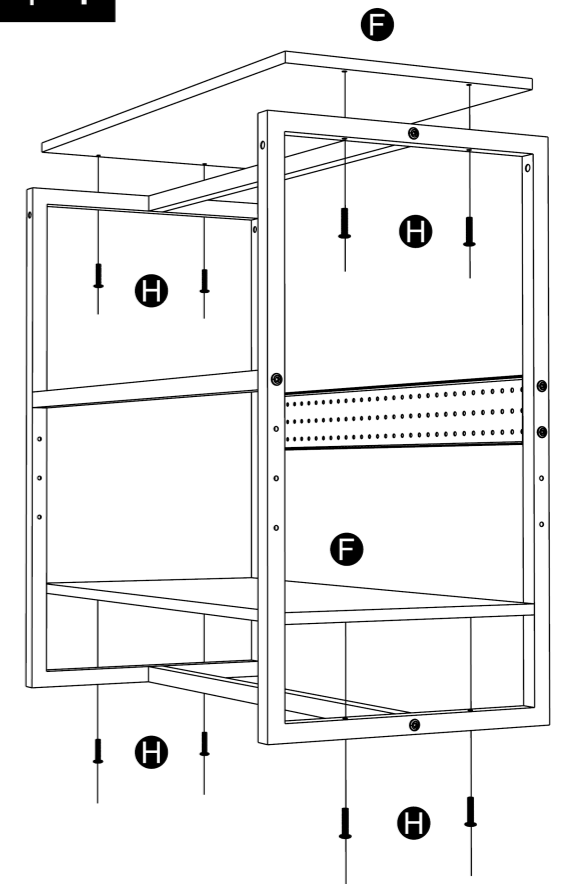
Install parts **B** and **D** together with screws **H**

## Step 3



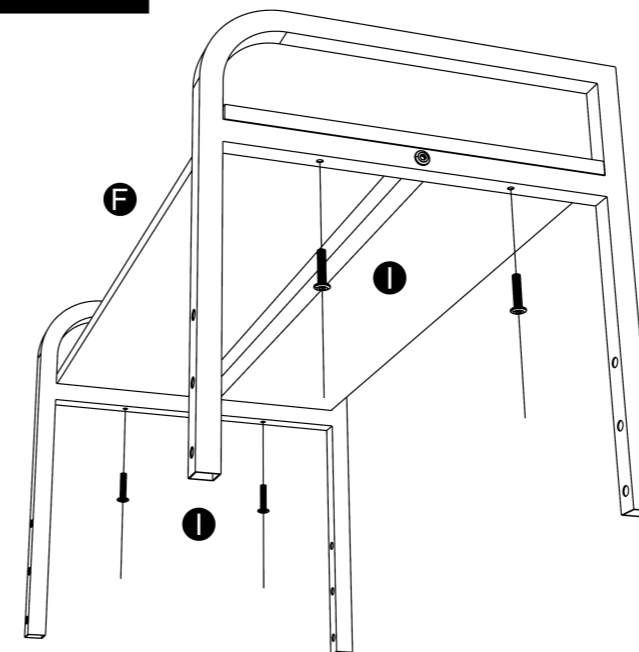
Install part **E** between parts **A** with screws **H**  
You can adjust the height of the part **E** and part **C**

## Step 4



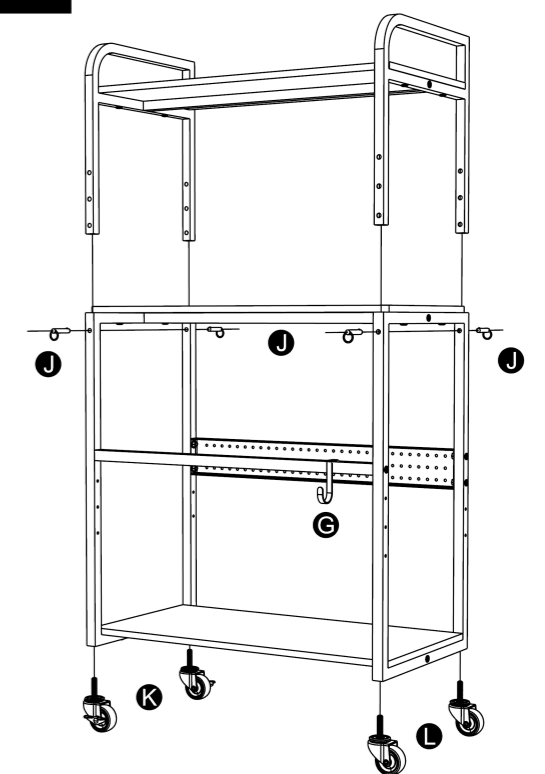
Attach board **F** to component **A** with screws **H**  
Using screws **I** will cause the board **F** to loosen

## Step 5



All shorter screws **I**  
are individually packed in plastic bags  
DO NOT use screws **H** in step 5  
Attach board **F** to component **B** with screws **I**

## Step 6



Install wheels **K** and **L** to part **A**  
The upper and lower parts are fixed together with pin **J**  
Insert the pins **J** into the holes at different heights  
to adjust the height of the product