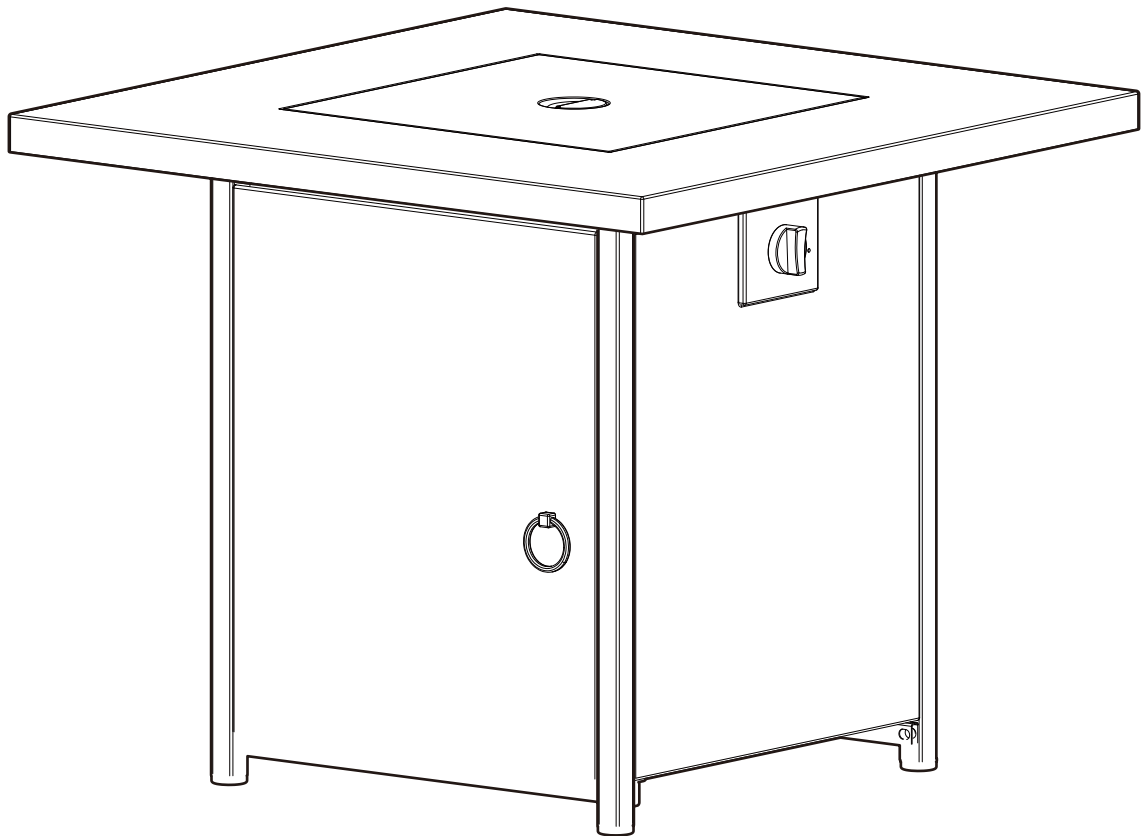


# INSTRUCTION MANUAL

---



## Fire Pit Table

# SAFETY INFORMATION

## SAFETY WARNING

Read the instruction before use. This appliance must be installed in accordance with such regulations as are enforced.

### DANGER

#### FIRE OR EXPLOSION HAZARD

If you smell gas:

- Shut off gas to the appliance.
- Extinguish any open flame.
- If odor continues, leave the area immediately
- After leaving the area, call your gas supplier or fire department.

Failure to follow these instructions could result in fire or explosion, which could cause property damage, personal injury, or death.

### WARNING: For Outdoor Use Only!

Improper installation, adjustment, alteration, service, or maintenance can cause property damage, personal injury, or loss of life.

Read this installation, operating, and maintenance instructions thoroughly before installing or servicing this equipment.

### WARNING: For Outdoor Use Only!

Installation and service must be performed by a qualified installer, service agency, or gas supplier.

### DANGER

#### CARBON MONOXIDE HAZARD

This appliance can produce carbon monoxide which has no odor.

Using it in an enclosed space can kill you. Never use this appliance in an enclosed space such as a camper, tent, car, or home.



### WARNING

FOR YOUR SAFETY:

If the information in this manual is not followed exactly, a fire or explosion may result in property damage, personal injury, or loss of life.

WHAT TO DO IF YOU SMELL GAS:

Do not try lighting any appliance.

Do not touch any electrical switch; do NOT use any phone in your building.

Immediately call your gas supplier from a neighbor's phone.

Follow the gas supplier's instructions.

If you cannot reach your gas supplier, call the fire department.

Installation and service must be performed by a qualified installer, service agency or gas supplier. Save these instructions for future reference. If you are assembling this unit for someone else, give this manual to him or her to read and save for future reference.

INSTALLER: Leave this manual with the appliance.

CONSUMER: Retain this manual for future reference.

### WARNING

- Keep gasoline and other flammable vapors and liquids away from this appliance at all times.
- Unless connected for use, do not store LP-cylinder near this appliance.

**! WARNING:**

Certain materials or items, when stored under the fire pit table, will be subject to radiant heat and could be seriously damaged.

**! WARNING:**

The max. inlet supply pressure: max. Gas supply 11 in w.c. (2.74kPa)



**WARNING: For Outdoor Use Only!**

**CARBON MONOXIDE HAZARD**

This appliance can produce carbon monoxide which has no odor. Using it in an enclosed space can kill you.

Never use this appliance in an enclosed space such as a camper, tent or home.

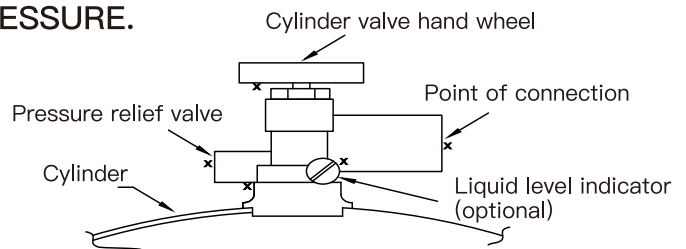
**! DANGER: FLAMMABLE GAS UNDER PRESSURE.**

LEAKING LP-GAS MAY CAUSE A FIRE OR EXPLOSION IF IGNITED CAUSING SERIOUS BODILY INJURY OR DEATH.

CONTACT LP GAS SUPPLIER FOR REPAIRS, OR DISPOSAL OF THIS CYLINDER OR UNUSED LP-GAS.

**! WARNING: FOR OUTDOOR USE ONLY.**

\* DO NOT USE OR STORE CYLINDER IN A BUILDING, GARAGE OR ENCLOSED AREA.



DO NOT REMOVE, DEFACE, OR OBLITERATE THIS LABEL  
\* EXCEPT AS AUTHORIZED BY ANSI/NFPA 58.

**! DANGER.** Do not store a spare LP cylinder under or near a barbecue grill, or other heat sources. NEVER fill an LP cylinder beyond 80% full: a fire causing death or serious injury may occur.

**! WHEN CONNECTING FOR USE:**

- Use only in compliance with applicable codes.
- Read and follow manufacturer's instructions.
- Consult the manufacturer's instructions concerning the cylinder connection provided with your appliance.
- Be sure the regulator vent is not pointing up.
- Turn off all valves on the appliance.
- Light appliance(s) following manufacturer's instructions.
- Do not check for gas leaks with a match or open flame. Apply soapy water at areas marked "X". Open the cylinder valve. If bubbles appear, close the valve and contact a propane tank service for repairs. Also, check appliance valves and connections to make sure they do not leak before lighting the appliance.
- When the appliance is not in use, keep the cylinder valve closed.

**! WARNING:**

- Know the odor of propane gas. If you hear, see or smell leaking propane gas, immediately get everyone away from the cylinder and call the Fire Department. Do not attempt repairs.
- Contact your propane gas supplier to:
  - Be certain the cylinder is purged of trapped air prior to first filling.
  - Be certain not to overfill the cylinder.
  - Be certain the cylinder requalification date is checked.
- Propane gas is heavier than air and may settle in low places while dissipating.
- Contact with the liquid contents of cylinder will cause freeze burns to the skin.
- Do not allow children to tamper or play with the cylinder.
- When not connected for use, keep the cylinder valve turned off. The self-contained appliances shall be limited to a cylinder of 20 lbs capacity or less.
- Do not expose LP tanks to extremely high temperatures. The relief valve may open allowing a large amount of flammable gas to escape.
- When transporting, keep the cylinder secured in an upright position with the cylinder valve turned off.

## DANGER

### EXPLOSION — FIRE HAZARD

- Never store the cylinder near high heat, open flames, pilot lights, direct sunlight, other ignition sources, or where temperatures exceed 120°F (49°C).
- Propane gas is heavier than air and can accumulate in low places. If you smell gas, leave the area immediately.
- Never install or remove the cylinder while the fire pit is lighted, near the flame, pilot lights, or other ignition sources, or while the fire pit is hot to the touch.
- This fire pit table is red hot during use and can ignite flammables too close to the burner. Keep flammables at least 6 feet (72 inches) from the sides and rear and 5 feet (60 inches) from the ceiling. Keep gasoline and other flammable liquids and vapors well away from the fire pit table.
- Store the cylinder outdoors in a well-ventilated space out of the reach of children. Never store the cylinder in an enclosed area (house, garage, etc.) If the fire pit table is to be stored indoors, disconnect the cylinder for outdoor storage.

## DANGER

### FIRE OR EXPLOSION HAZARD

- Keep solid combustibles, such as building materials, paper, or cardboard a safe distance away from the fire pit table as recommended by the instructions.
- Provide adequate air clearance around the opening near the combustion chamber.
- Never use the fire pit table in spaces that do or may contain volatile, or airborne combustibles, or products such as gasoline, solvents, paint thinner, dust particles or unknown chemicals.
- During operation, this appliance can be a source of ignition. Keep the fire pit area free and clear from combustible materials, gasoline, paint thinner, cleaning solvent, and other flammable vapors and liquids. Do not use a fire pit table in areas with high dust content.

Minimum fire pit clearances from combustible materials: six (6) feet or 72 inches from the sides, six (6) feet or 72 inches from the rear and five (5) feet or 60 inches from the ceiling.

## DANGER

### CARBON MONOXIDE HAZARD

- This fire pit table is a combustion appliance. All combustion appliances produce carbon monoxide (CO) during the combustion process. This product is designed to produce extremely minute, non-hazardous amounts of CO if used and maintained in accordance with all warnings and instructions. Do not block the airflow into or out of the fire pit table.
- Never use inside the house or other unventilated or enclosed areas.
- Carbon monoxide (CO) poisoning produces flu-like symptoms, watery eyes, headaches, dizziness, fatigue and possibly death. You can't see it and you can't smell it. It is an invisible killer. If these symptoms are present during the operation of this product, get fresh air immediately!
- For outdoor use only.
- This fire pit table consumes air (oxygen). Do not use in unventilated or enclosed areas to avoid endangering your life.

 **DANGER**

Failure to comply with the precautions and instructions provided with this fire pit table can result in death, serious bodily injury and property loss or damage from hazards of fire, explosion, burn asphyxiation, and/or carbon monoxide poisoning. Only persons who can understand and follow the instructions should use or service this fire pit table.

 **DANGER**

**DANGER** indicates an imminently hazardous situation that if avoided, will result in death or serious injury.

 **CAUTION: SERVICE SAFETY**

- Keep all connections and fittings clean. Make sure the propane cylinder valve outlet is clean.
- During set-up, check all connections and fittings for leaks using soapy water. Never use a flame to check for leaks.
- Use as a heating appliance only. Never alter in any way to use with any device.

 **WARNING**

- Alert children and adults to the hazards of high surface temperatures. Stay away from these surfaces to avoid burning skin or igniting clothing.
- Carefully supervise young children when in the vicinity of the fire pit table.
- Do not hang clothing or any other flammable materials from the fire pit table, or place them near the fire pit table.
- Replace any guard or protective device removed for servicing the appliance prior to placing back in service.
- Installation and repair should be done by a qualified service person. The fire pit table should be inspected before use and annually by a qualified service person. More frequent cleaning may be required as necessary. It is imperative that the control compartment, burners and circulating air passageway of the appliance be kept clean.

 **WARNING**

- This product is fueled by propane gas. Propane gas is invisible, odorless, and flammable. An odorant is normally added to help detect leaks and can be described as having a “rotten egg” smell. The odorant can fade over time so leaking gas is not always detected by smell alone.
- Propane gas is heavier than air and leaking propane will sink to the lowest level possible. It can ignite by ignition sources including matches, lighters, sparks or open flames of any kind many feet away from the original leak. Use only propane gas set up for vapor withdrawal.
- Store or use propane gas in compliance with local ordinances and codes or with ANSI/NFPA 58. Turn off propane cylinder when not in use.

 **WARNING**

We cannot foresee every use which may be made of our fire pit table. Check with your local fire safety authority if you have questions about fire pit table use. There are other standards that govern the use of fuel gasses and heat producing products for specific uses. Your local authorities can advise you about these standards. If no local codes exist, follow National Fuel Gas Code, ANSI 2223.1. In Canada, installation must conform to local codes. If no local codes exist, follow the current National standards of CANADA CAN/CGA-B 149.2.

 **WARNING**

- Never leave fire pit table unattended while hot or in use.
- Keep out of reach of children.

 **CAUTION**

**CAUTION** indicates an imminently hazardous situation which, if not avoided, may result in minor or moderate personal injury, or property damage.

- Please read and understand this entire manual before attempting to assemble, operate or install this appliance. If you have any questions regarding the product, please call technical support or email customer service.
- This manual contains important information about the assembly, operation and maintenance of this fire pit table. General safety information is presented in the first few pages and is also located throughout this manual. Keep this manual for future reference and to educate new users of this appliance. This manual should be read in conjunction with the labeling on the appliance.
- Safety precautions are essential when any mechanical or propane fueled equipment is involved. These precautions are necessary when using, storing, and servicing. Using this appliance with the respect and caution demanded will reduce the possibilities of personal injury or property damage.
- The following symbols shown below are used extensively throughout this manual. Always heed these precautions, as they are essential when using any mechanical or propane fueled equipment.



Solid fuels shall not be burned with this appliance.

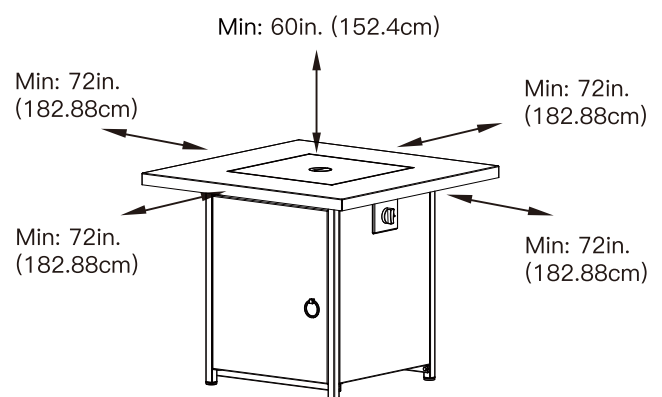


## DANGER

### FOR YOUR SAFETY:

If you smell gas:

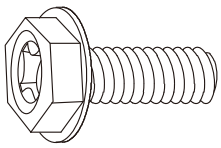
1. Shut off gas to the appliance.
2. Extinguish any open flame.
3. If the odor continues, keep away from the appliance and immediately call your gas supplier or fire department.



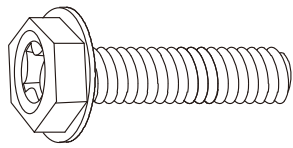
## PREPARATION

Before beginning the assembly of the product, make sure all parts are present. Compare parts with the package contents list and hardware contents below. If any part is missing or damaged, do not attempt to assemble the product. Contact customer service for replacement parts.

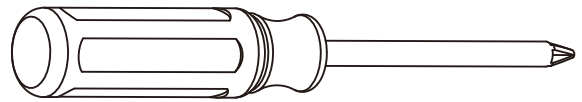
# SUPPLIED PARTS AND HARDWARE



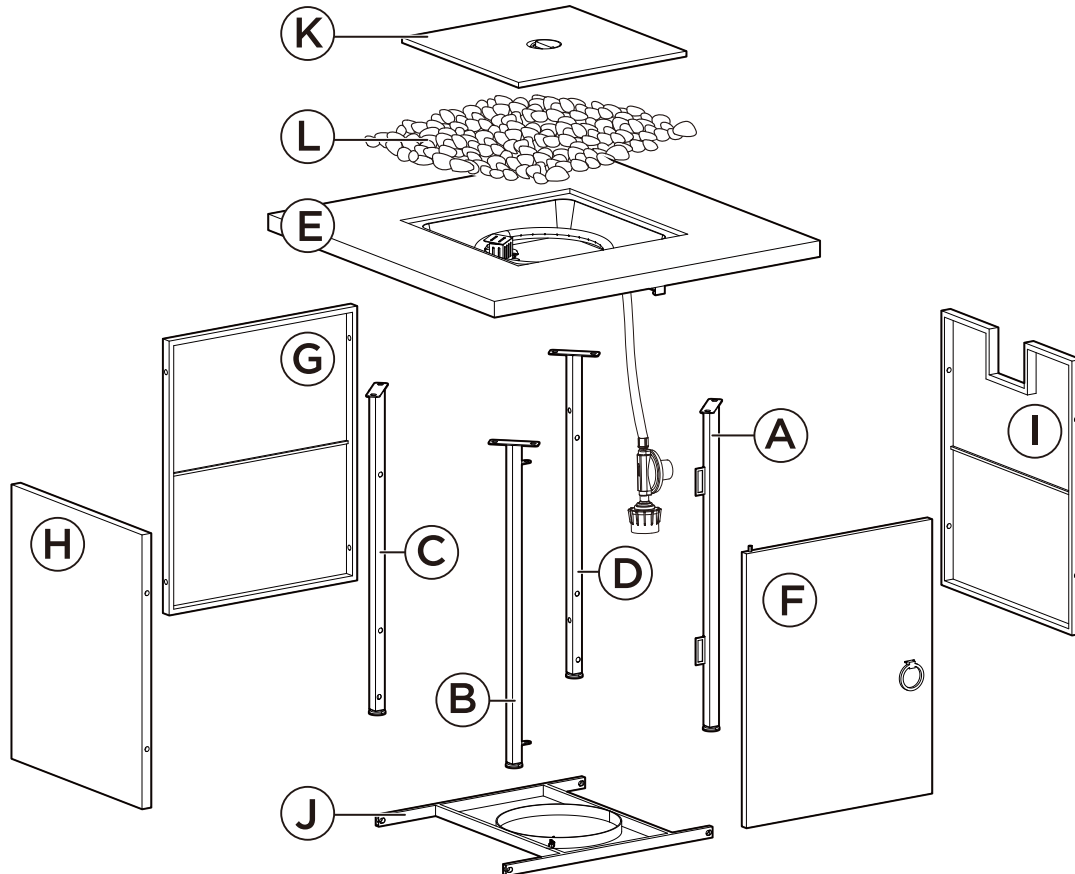
Bolt  
M6 x 12mm  
[AA] x 9



Bolt  
M6 x 25mm  
[BB] x 16



Phillips  
Screwdriver  
[CC] x 1



NO.	DESCRIPTION	QUANTITY
A	Leg	1
B	Leg	1
C	Leg	1
D	Leg	1
E	Table Top with Burner	1
F	Door Panel	1

NO.	DESCRIPTION	QUANTITY
G	Side Panel	1
H	Side Panel	1
I	Side Panel with Notch	1
J	Cylinder Holder	1
K	Top Lid	1
L	Lava Rocks	1

## WARNING

Failure to position the parts in accordance with these diagrams or failure to use only parts specifically approved with this appliance may result in property damage or personal injury.

# OPERATION CHECKLIST

For a safe and pleasurable heating experience, complete this checklist before each use.

## Before Operating

1. I am familiar with the entire owner's manual and understand all precautions noted.
2. All components are properly assembled, intact and operable.
3. No alterations have been made.
4. All gas connections are secure and do not leak.
5. Wind velocity is below 10mph.
6. Unit will operate at reduced efficiency below 40°F/4.44°C.
7. Fire pit table is outdoors (outside any enclosure).
8. There is adequate fresh air ventilation. Do not use this appliance if any part has been under water. Immediately call a qualified service technician to inspect the appliance and to replace any part of the control system and gas control which has been under water.
9. Fire pit table is away from gasoline or other flammable liquids or vapors.
10. Fire pit table is away from windows, air intake openings, sprinklers and other water sources.
11. Fire pit table is at least 72 inches away from combustible materials on the rear and sides and 60 inches away from the ceiling.
12. Fire pit table is on a hard and level surface.
13. There are no signs of spiders or insects.
14. All burner passages are clear.
15. All air circulation passages are clear.
16. Children and adults should be alerted to the hazards of high surface temperature and should stay away to avoid burns or clothing ignition.
17. Young children should be carefully supervised when they are in the area of the fire pit table.
18. Clothing or other protective material should not be hung from the fire pit table, or placed on or near the fire pit table.
19. Any guard or other protective device removed for servicing must be replaced prior to operating the fire pit table.
20. Installation and repair should be done by a qualified service person. The fire pit table should be inspected before use and at least annually by a qualified service person.
21. More frequent cleaning may be required as necessary. It is imperative that the control compartment, burner and circulating air passageways be kept clean.

## After Operation

1. The control knob should be in the "OFF" position.
2. The gas tank valve should be closed.

# ASSEMBLY

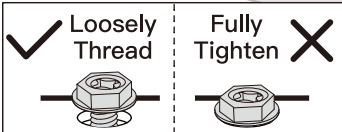
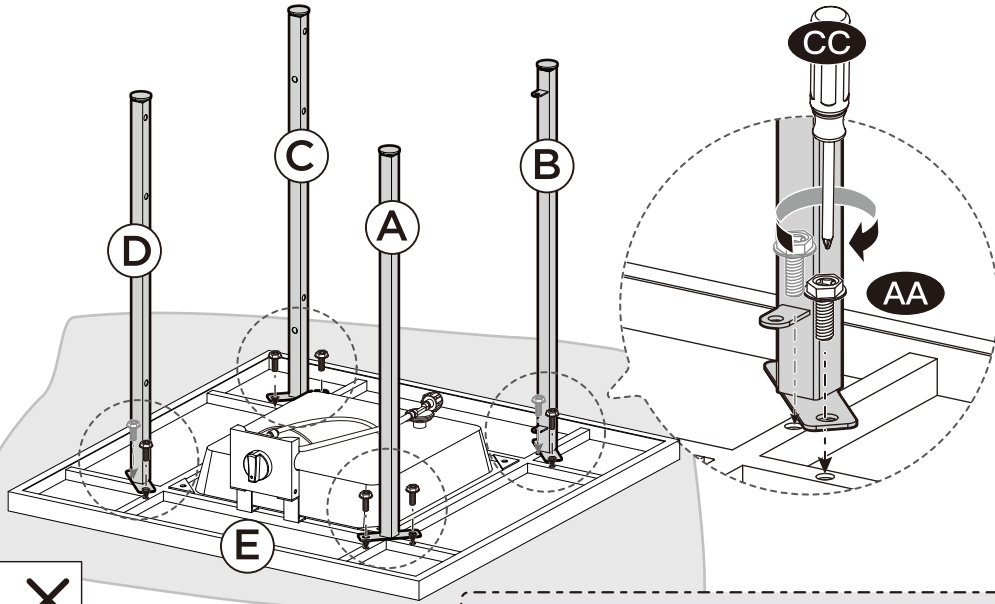
## STEP 1

Attach legs [A], [B], [C] and [D] to the table top with burner [E] using bolts [AA].

To avoid scratching the tabletop, it is highly recommended to assemble the fire pit table using the unfolded box or another soft surface during installation.

[A] x 1 [B] x 1 [C] x 1 [D] x 1 [E] x 1

[AA] x 8 [CC] x 1



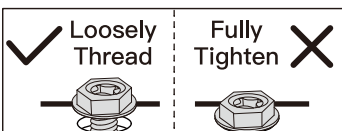
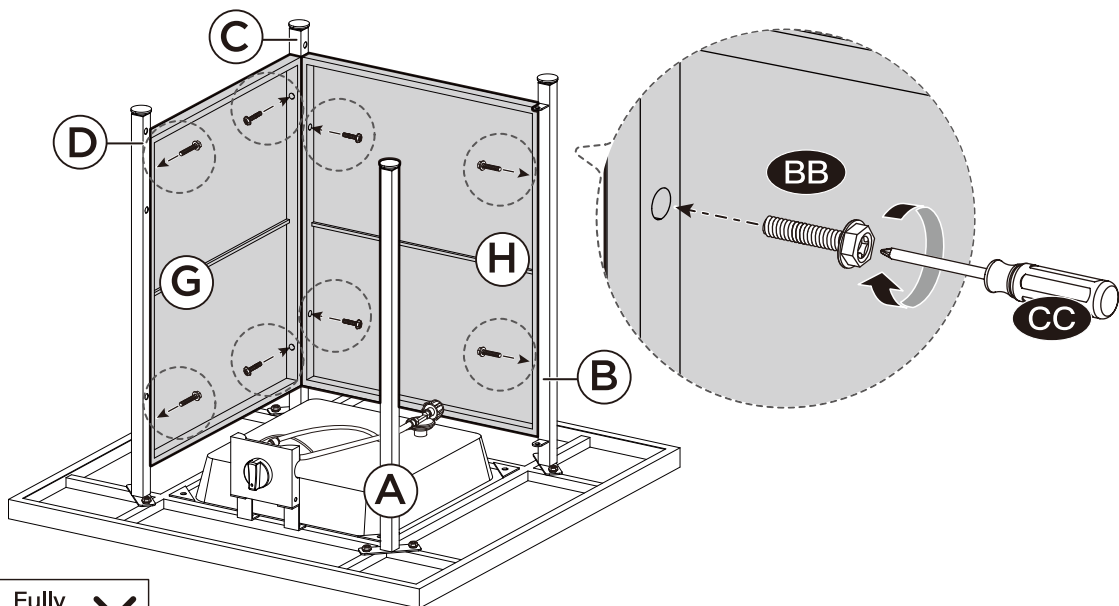
**NOTE:** Assemble the legs to the position with corresponding letter stickers.

## STEP 2

Connect side panels [G] and [H] to legs [B], [C], and [D] using bolts [BB].

[G] x 1 [H] x 1

[BB] x 8 [CC] x 1



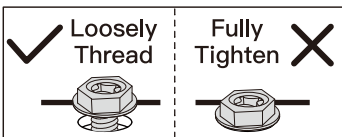
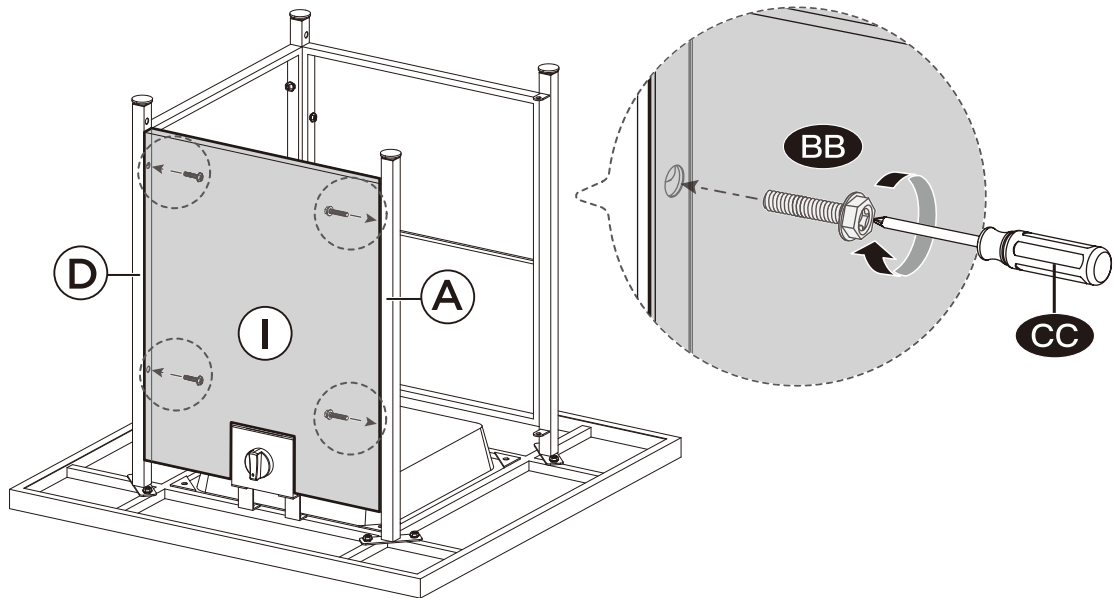
**NOTE:** Assemble the panels to the side with corresponding letter stickers.

**NOTE:** The side with the frames should face inside.

### STEP 3

Attach the side panel with notch [I] to the side with control knob using bolts [BB].

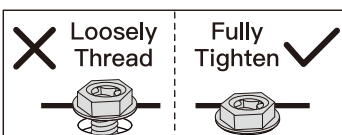
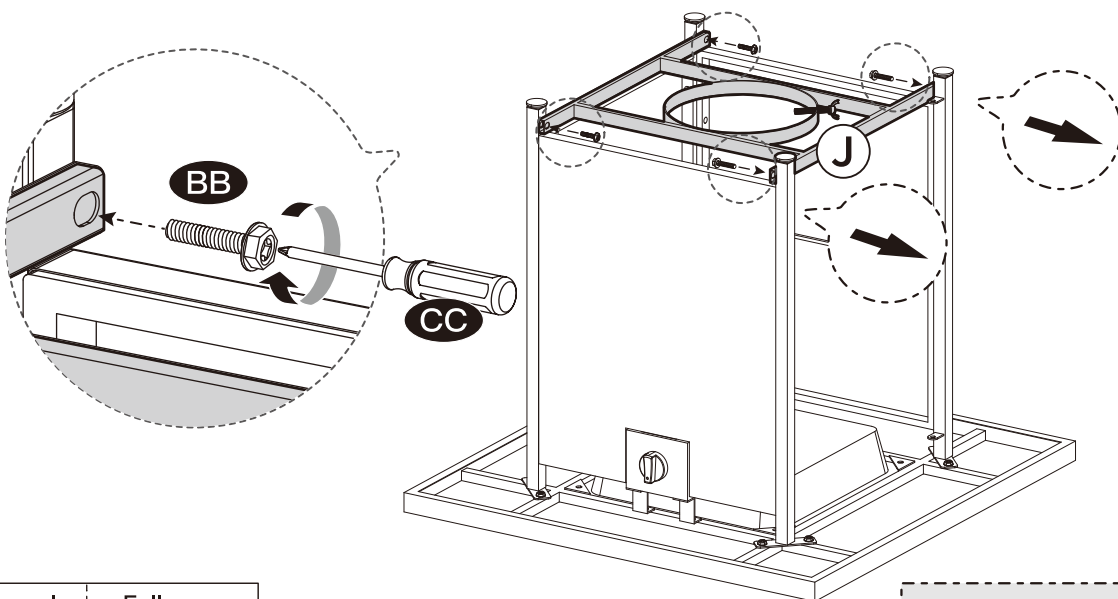
[I] x 1 [BB] x 4 [CC] x 1



### STEP 4

Attach the cylinder holder [J] using bolts [BB].

[J] x 1 [BB] x 4 [CC] x 1



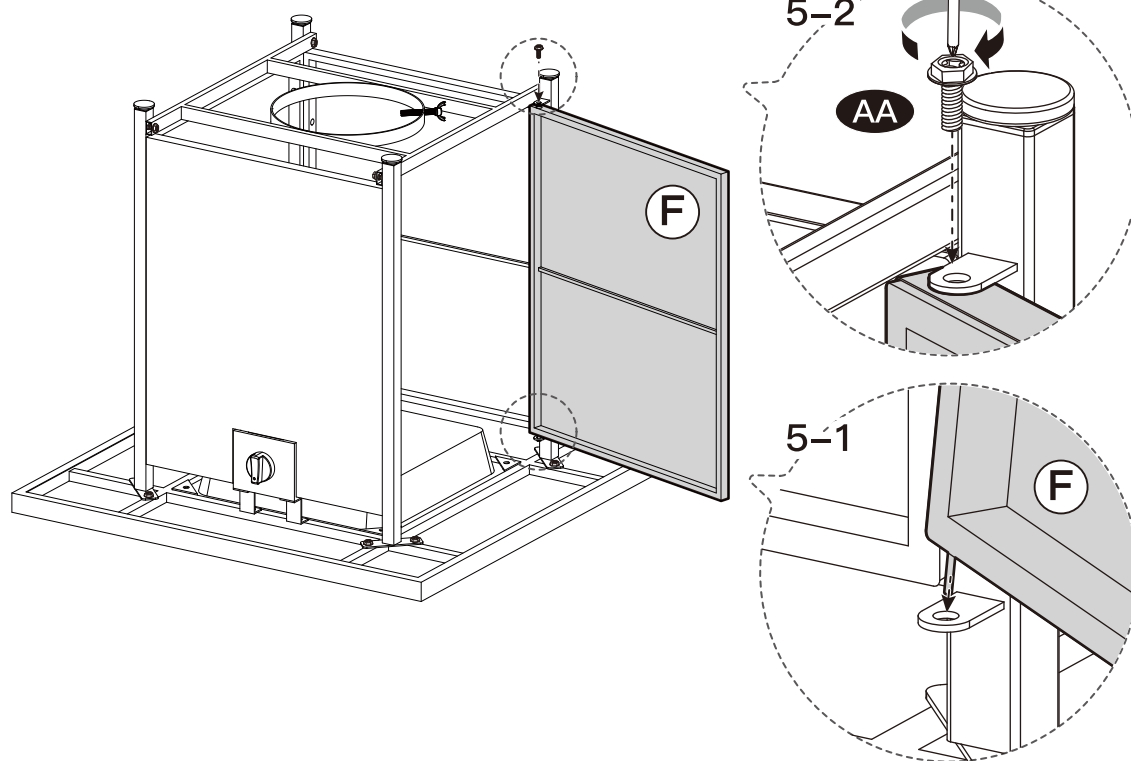
**NOTE:** Once Step 4 is completed, make sure to fully tighten all bolts.

## STEP 5

Attach the door panel [F] to the leg [B] using bolts [AA].

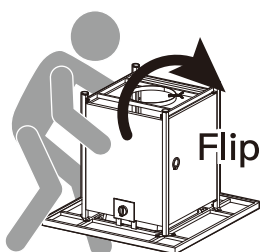
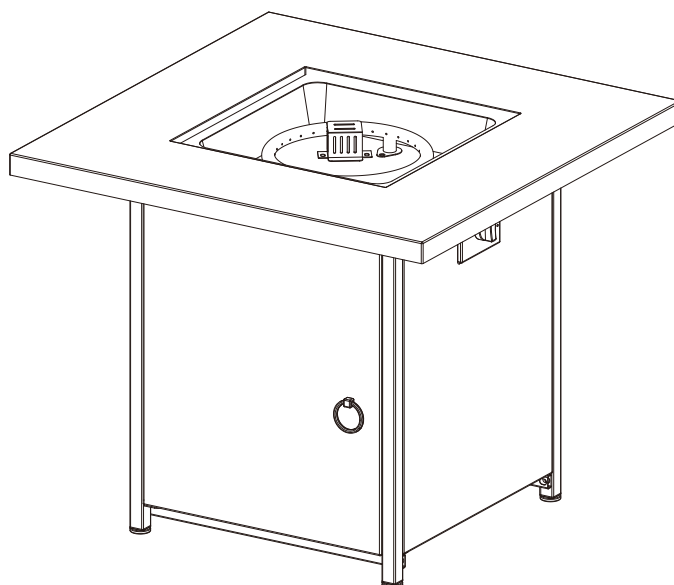
[F] x 1

[AA] x 1 [CC] x 1



## STEP 6

Flip the table over.



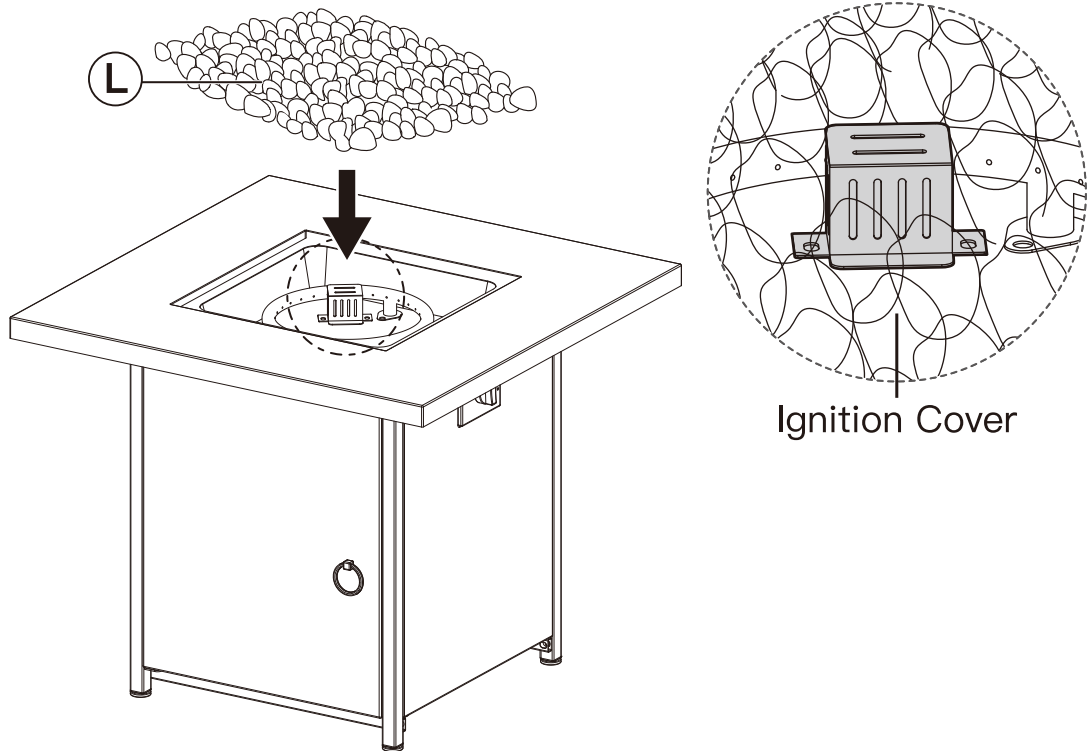
NOTE: Do not flip the table over by using the edges to support its weight.

## STEP 7

Pour lava rocks [L] into the burner area of the table top.

**NOTE:** Maintain space around the ignition cover. Do not block with lava rocks.

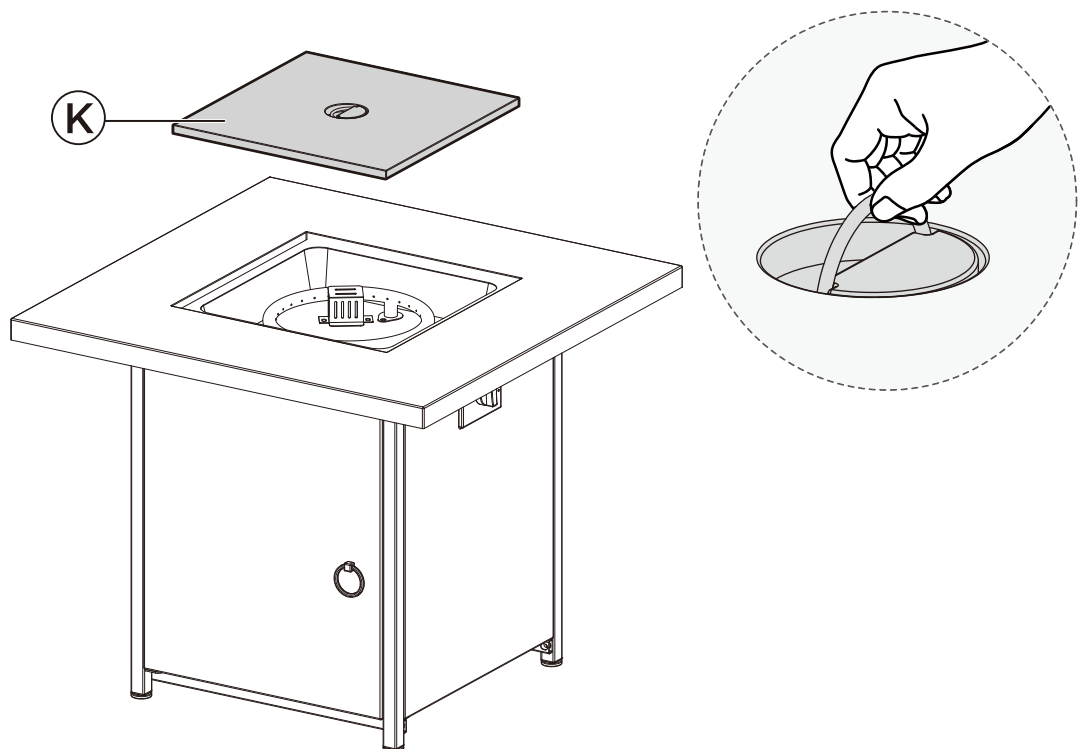
[L] x 1



## STEP 8

Place the top lid [K] over the opening.

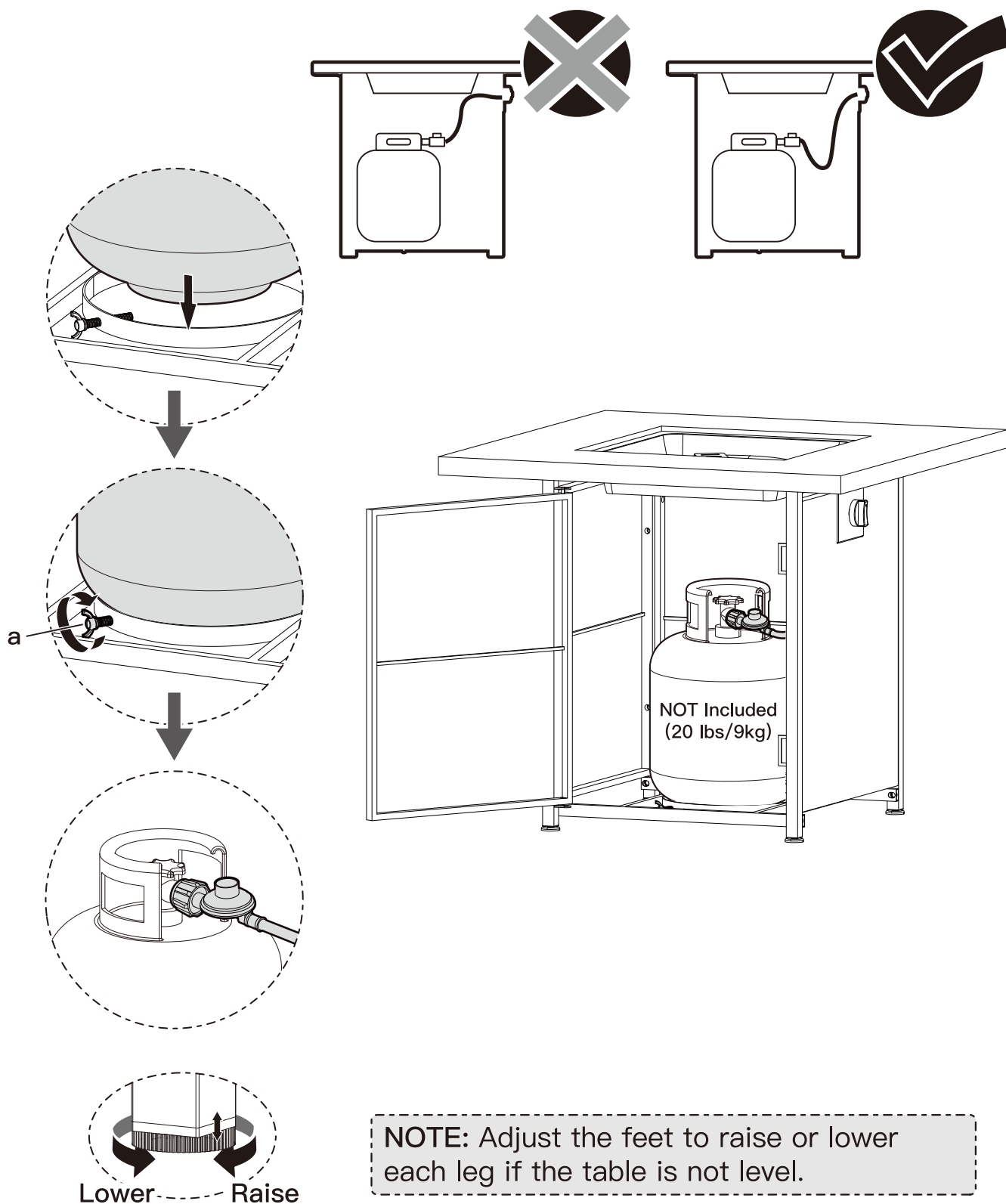
[K] x 1



## STEP 9

Place the propane cylinder into the cylinder holder [J]. Tighten the cylinder locking bolt [a] to secure the propane cylinder. Connect the hose and regulator to the propane cylinder.

**NOTE:** Position the hose away from the fire bowl base while connecting the propane cylinder.



# OPERATION INSTRUCTIONS

## Gas Cylinder Connection

Connect hose and regulator to cylinder. The propane gas and cylinder are sold separately. Use a standard 20 lbs propane cylinder only. Use this fire pit table only with a vapor withdrawal supply system. See Chapter 5 of the standard for storage and handling of liquefied petroleum gas, ANSI/NFPA 58. Your local library or fire department should have this book.

Storage of an appliance indoors is permissible only if the cylinder is disconnected and removed from the appliance. A cylinder must be stored outdoors in a well-ventilated area out of reach of children. A disconnected cylinder must have all dust caps tightly installed and must not be stored in a building, garage or any other enclosed area. The maximum inlet gas supply pressure: 250 psi. The minimum inlet gas supply pressure: 25 psi.

The minimum hourly rate of 10000 Btu is required input rating for a fire pit table for automatic operation at rating less than full input rating.

The pressure regulator and hose supplied with the appliance must be used.

The installation must conform with local codes or in the absence of local codes, with national fuel gas code, ANSI Z223.1/NFPA54, natural gas and propane Installation Code, CSA B149.1, or propane storage and handling code, B149.2.

A dented, rusted or damaged propane cylinder may be hazardous and should be checked by your cylinder supplier.

Never use a propane cylinder with a damaged valve connection.

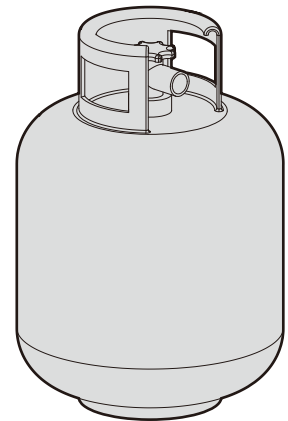
The propane cylinder must be constructed and marked in accordance with the specifications for LP gas cylinders of the U.S. Department of Transportation (DOT) or the standard for cylinders, spheres and tubes for transportation of dangerous goods and commission, CAN/CSA-B339.

The cylinder must have a listed overfilling prevention device.

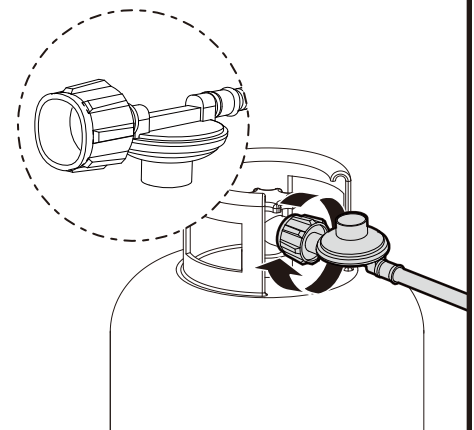
The cylinder must have a connection device compatible with the connection for the appliance.

The cylinder used must include a collar to protect the cylinder valve.

Never connect an unregulated propane cylinder to the appliance.



**Standard 20 lbs tank**



- Do not store a spare LP-gas cylinder under or near this appliance.
- Never fill the cylinder beyond 80 percent full.
- Place the dust cap on the cylinder valve outlet whenever the cylinder is not in use. Only install the type of dust cap on the cylinder valve that is provided with the cylinder valve. Other type of caps or plugs may result in leakage of propane.

**• ATTENTION: THIS PRODUCT IS NOT FOR COMMERCIAL USE AND IS INTENDED FOR RESIDENTIAL USE ONLY.**

# OPERATION INSTRUCTIONS

Do not sit or stand on this fire pit table.

Keep children away during assembly as this item contains small parts which may pose a choking hazard.

Do not use indoors or inside any enclosure.

Retain the assembly instructions for future reference.

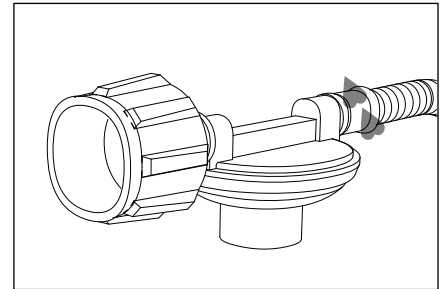
Installer — Please leave these instructions with the owner.

## Leak Test



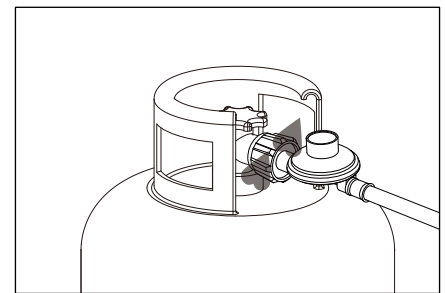
### WARNING

- Perform all tests outdoors.
- Extinguish all open flames.
- NEVER leak test when smoking.
- Do not use the fire pit table until all connections have been leak tested and do not leak.



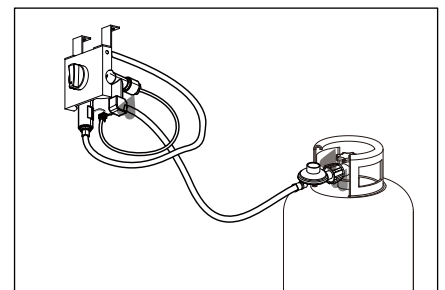
Hose/Regulator Connection

1. Make 2–3 oz. of leak test solution (one part liquid dishwashing detergent and three parts water).
2. Apply several drops of solution where hose attaches to regulator.
3. Apply several drops of solution where regulator connects to cylinder.
4. Make sure the fire pit table and all light valves are OFF.
5. Turn the cylinder valve ON.



Regulator/Cylinder Connection

If bubbles appear at any connection, there is a leak.



1. Turn the cylinder valve OFF.
2. If leak is at hose/regulator connection: tighten connection and perform another leak test. If bubbles continue appearing, the hose should be returned to the place of purchase.
3. If leak is at regulator/cylinder valve connection: disconnect, reconnect, and perform another leak test. If you continue to see bubbles after several attempts, cylinder valve is defective and should be returned to cylinder place of purchase.

If NO bubbles appear at any connection, the connections are secure.

**NOTE:** Whenever gas connections are loosened or removed, you must perform a complete leak test.

# OPERATION INSTRUCTIONS

## WARNING

### CARBON MONOXIDE HAZARD

For outdoor use only. Never use inside house, or other unventilated or enclosed areas. This fire pit table consumes air (oxygen). Do not use in an unventilated or enclosed areas to avoid endangering your life.

## WARNING

### VERY HOT WHILE IN OPERATION

Never lean over the fire pit table while in use. Do not touch surfaces while the fire pit table is in operation. Wait until the fire pit table has completely cooled down after use. Failure to comply with these instructions may result in serious bodily injury.

**Caution:** Do not attempt to operate until you have read and understand all General Safety Information in this manual and all assembly is complete and leak checks have been performed.

### Before Turning Gas Supply ON:

1. Make sure surrounding areas are free of combustible materials, gasoline, and other flammable vapors or liquids.
2. Be sure all gas connections are tight and there are no leaks. Be sure the cylinder cover is clear of debris.
3. Be sure any component removed during assembly or servicing is replaced and fastened prior to starting.

### Before Lighting:

1. Fire pit table should be thoroughly inspected before each use and by a qualified service person at least annually. If relighting a hot fire pit table, always wait at least 5 minutes.
2. Inspect the hose assembly for evidence of excessive abrasion, cuts, or wear. Suspected areas should be leak tested. If the hose leaks, it must be replaced prior to operation. Only use the replacement hose assembly specified by manufacturer. The burner must be replaced prior to the appliance being put into operation if it is evident that the burner is damaged. The replacement burner should be specified by manufacturer.

### Lighting:

1. Ensure all labels, packaging, and protective films have been removed from the fire pit table.
2. Make sure the control knob is in the “OFF” position (Figure A).
3. Fully open LP cylinder valve.
4. Push in the control knob and turn it counterclockwise to the “ON” position (Figure B). Hold it in the “ON” position for about 5 seconds, then let it go.
5. Adjust the flame to the desired height with the control knob (Figure C). Visually check the burner flames.

**NOTE:** If the burner fails to remain lit, all valves should be closed and a waiting period of at least 5 minutes should pass before attempting to light.

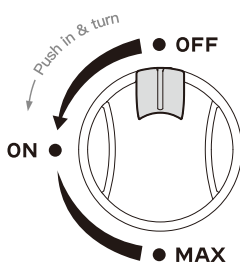


Figure A

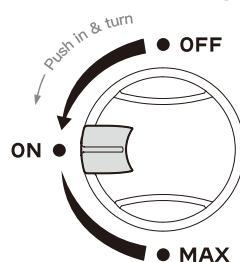


Figure B

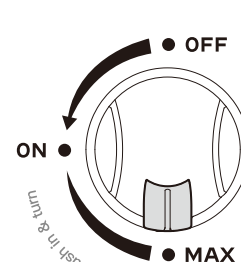


Figure C

## OPERATION INSTRUCTIONS

### WARNING

#### FOR YOUR SAFETY

Be careful when attempting to manually ignite this fire pit table.  
Holding the control knob for more than 10 seconds before igniting the gas will cause a ball of flame upon ignition.

#### Re-lighting:

1. Push in and turn the control knob to the “OFF” position.
2. Repeat the “Lighting” steps on prior page.

### WARNING

#### FOR YOUR SAFETY

Fire pit table will be hot after use. Handle with extreme care.

#### Shut Down:

1. Push in the control knob and turn it clockwise to the “OFF” position to turn off the burner.
2. Fully close the LP cylinder valve.

## CARE AND MAINTENANCE

### WARNING

#### FOR YOUR SAFETY

Do not touch or move the fire pit table for at least 45 minutes after use.  
Fire pit table is hot to the touch.  
Allow the fire pit table to cool before touching.

To enjoy years of outstanding performance from your fire pit table, ensure that you perform the following maintenance activities on a regular basis:

1. Keep exterior surfaces clean.
2. Use warm soapy water for cleaning. Never use flammable or corrosive cleaning agents.
3. While cleaning your unit, be sure to keep the area around the burner dry at all times.  
Do not submerge the control valve assembly. If the gas control is submerged in water, do NOT use it. It must be replaced.
4. Keep the appliance area clear and free from combustible materials, gasoline and other flammable vapors and liquids.
5. Do not obstruct the flow of combustion and ventilation air.
6. Keep the ventilation opening of the cylinder enclosure free and clear from debris.
7. Air flow must be unobstructed. Keep controls, burner, and circulating air passageways clean. Signs of possible blockage include:

## CARE AND MAINTENANCE

- Gas odor with extreme yellow tipping of flame.
- Fire pit table does NOT reach the desired temperature.
- Fire pit table glow is excessively uneven.
- Fire pit table makes popping noises.
- Spiders and insects can nest in burner or orifices. This dangerous condition can damage the fire pit table and render it unsafe for use. Clean burner holes by using a heavy-duty pipe cleaner. Compressed air may help clear away smaller particles.
- Carbon deposits may create a fire hazard. Clean burner with warm soapy water if any carbon deposits develop.

**NOTE:** In a salt-air environment (such as near an ocean), corrosion occurs more quickly than normal. Frequently check for corroded areas and repair them promptly.

### **Storage during periods of extended inactivity or when transporting:**

- Push in and turn the control knob to the “OFF” position.
- DO NOT store in a location that will exceed 120 °F (49°C).
- Disconnect LP source and move to a secure, well-ventilated location outdoors.
- Store fire pit table in an area sheltered from direct contact with inclement weather (such as rain, sleet, hail, snow, dust and debris).
- If desired, cover fire pit table to protect exterior surfaces and to help prevent build-up in air passages.
- Never leave LP cylinder exposed to direct sunlight or excessive heat.

**NOTE:** Wait until fire pit table is cool before covering.

### **Service**

Only a qualified service person should repair gas passages and associated components.

## TROUBLESHOOTING

PROBLEM	CAUSE	SOLUTION
There is only low flame and low heat output when the control knob is switched to high heat output.	The ignition procedure is not executed correctly.	Carefully follow the ignition instruction. The control knob must be the "OFF" in position when the gas cylinder valve is going to open. Turn on the gas cylinder valve slowly to balance the pressure.
There is yellow flame with the smell of gas when the burner is burning.	There may be a cobweb or other debris blocking the burner inlet hole.	Clean up the burner hole and the air inlet.
The burner stops burning after turning and holding the control knob.	You did not push in the control knob and hold it long enough.	It requires time for the thermocouple to heat up. You can push in and hold the control knob for a longer time (about 10 seconds), then release it.
	It is too windy outside.	The burner should be closed if the wind speed is faster than 10 miles (16km/h). The fire pit table can be moved to other places sheltered from wind or used under lighter wind.
	The hood is covered by the lava rocks or its debris.	The hood should not be fully covered by lava rocks and the small holes on hood should be clear.
	The thermocouple or the thermocouple joint is dirty or there is breakdown in thermocouple or valve.	Clean up the thermocouple as well as the connector between valve and thermocouple. Ensure the connector is fastened correctly. Replace the thermocouple or the control knob.

## TROUBLESHOOTING

PROBLEM	CAUSE	SOLUTION
The regulator is buzzing.	It is normal in hot weather.	It is caused by vibrations within the regulator and the performance or safety will not be affected. No need to replace the regulator.
The control knob is in the "MAX" position but the flame is still small. There is also rumbling sound and flickering blue flame in the burner.	There is no enough gas.	Check the gas cylinder pressure.
	Pressure reducing hose is being squeezed.	Adjust the position of the hose.
	The burner hole is dirty or being clogged or there is cobweb or others in the air inlet.	Clean up the burner hole and the air inlet.
The hose cannot be connected to the cylinder or the pressure-reducing valve is leaking.	The cylinder thread does not fit.	Use the external threaded cylinder.
	The cylinder interface size does not fit.	Use gas cylinders with specifications of 1.3" (33.3mm).
	The gas cylinder gasket is aging.	Replace the gas cylinder gasket.
There is no gas in the pipeline.	The control knob or the knob plug is damaged.	Please contact customer service.
	The gas cylinder gasket is aging.	Replace the gas cylinder gasket.

Thank you for choosing our product! All of us do appreciate your product purchase. We hope that you are as happy with your product as we were designing and manufacturing it for you. We strive to provide you with the best quality products and services in the industry.